

[54] **ROLLER SKATE**

[75] Inventor: **Icaro Olivieri**, Montebelluna, Italy

[73] Assignee: **Icaro Olivieri & C. S.p.A.**,
Montebelluna, Italy

[**] Term: **14 Years**

[21] Appl. No.: **283,329**

[22] Filed: **Jul. 15, 1981**

[30] **Foreign Application Priority Data**

Feb. 23, 1981 [IT] Italy 20867 B/81

[51] Int. Cl. **D21-02**

[52] U.S. Cl. **D21/226**

[58] Field of Search **D21/224, 225, 226;**
280/11.28, 11.26, 11.19, 11.22, 11.27, 611, 613,
612

[56] **References Cited**

U.S. PATENT DOCUMENTS

D. 265,495 7/1982 Dominy et al. D21/226
324,618 8/1885 Walters D21/226

3,843,146 10/1974 Hiraki D21/226
4,345,774 8/1982 Poe 280/11.19

OTHER PUBLICATIONS

Sporting Goods Dealer, 1-1980, p. 292, #100 "The Rink" Roller Skate.

Sporting Goods Dealer, 8-1979, p. 149, "ACS" Skates at center of page.

Sporting Goods Dealer, 2-1980, p. 130, "Screamers".

Primary Examiner—Charles A. Rademaker
Attorney, Agent, or Firm—Sughrue, Mion, Zinn,
Macpeak and Seas

[57] **CLAIM**

The ornamental design for a roller skate, as shown and described.

DESCRIPTION

FIG. 1 is a perspective view of a roller skate showing my new design, the side opposite being a mirror image; FIG. 2 is a top plan view thereof; FIG. 3 is a rear elevational view thereof; FIG. 4 is a front elevational view thereof; and, FIG. 5 is a bottom plan view thereof.

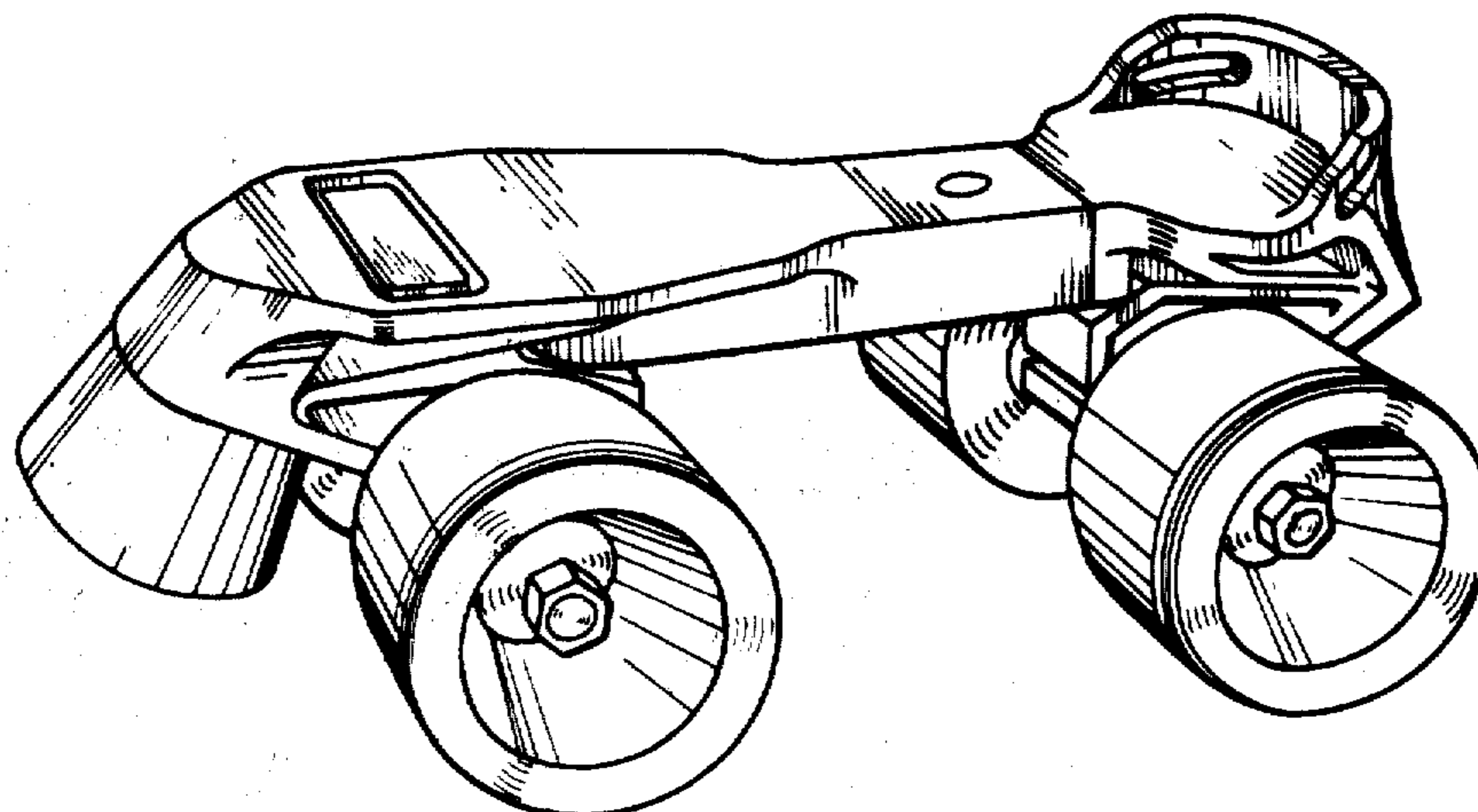


FIG. 1

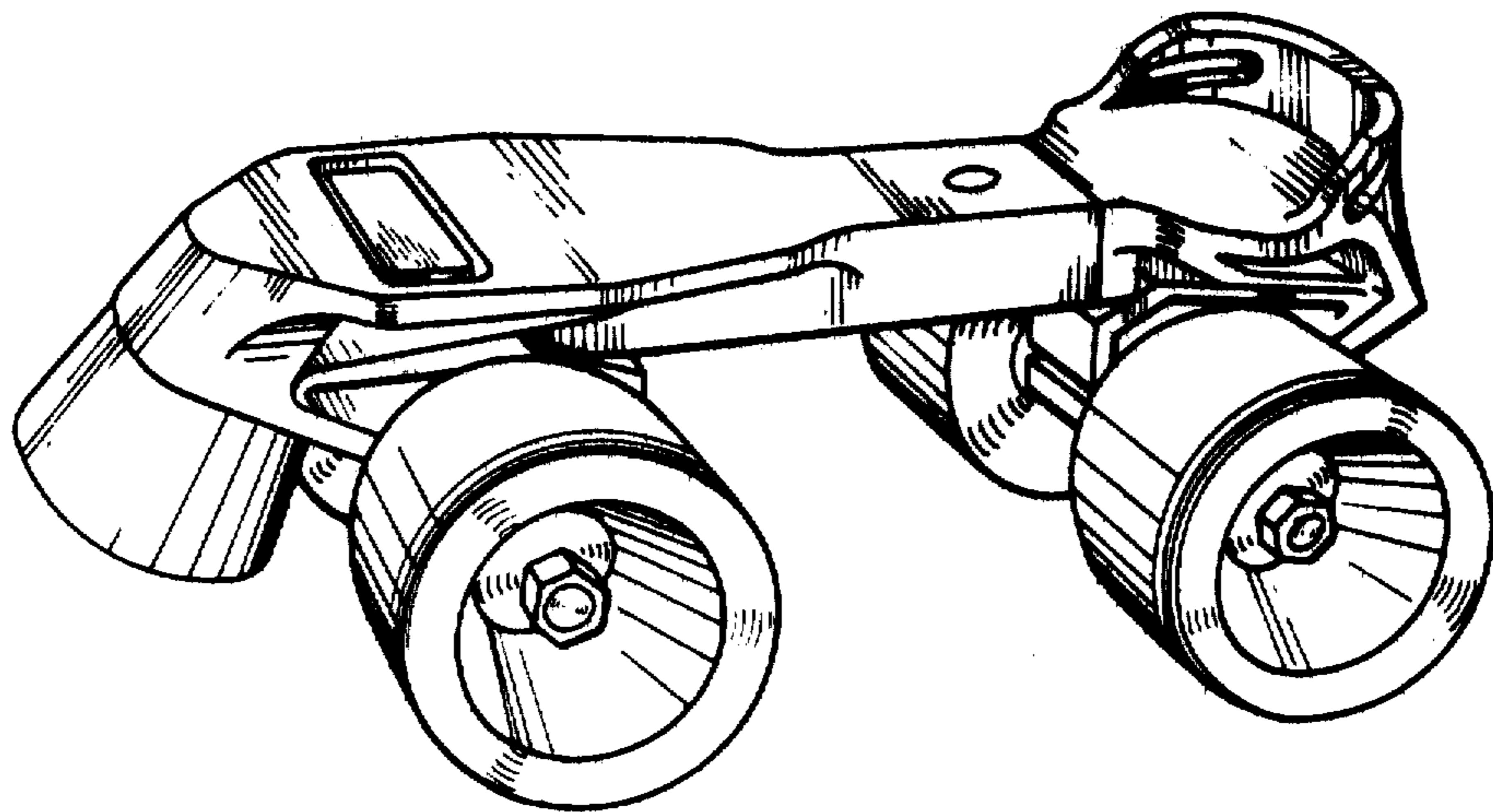


FIG. 2

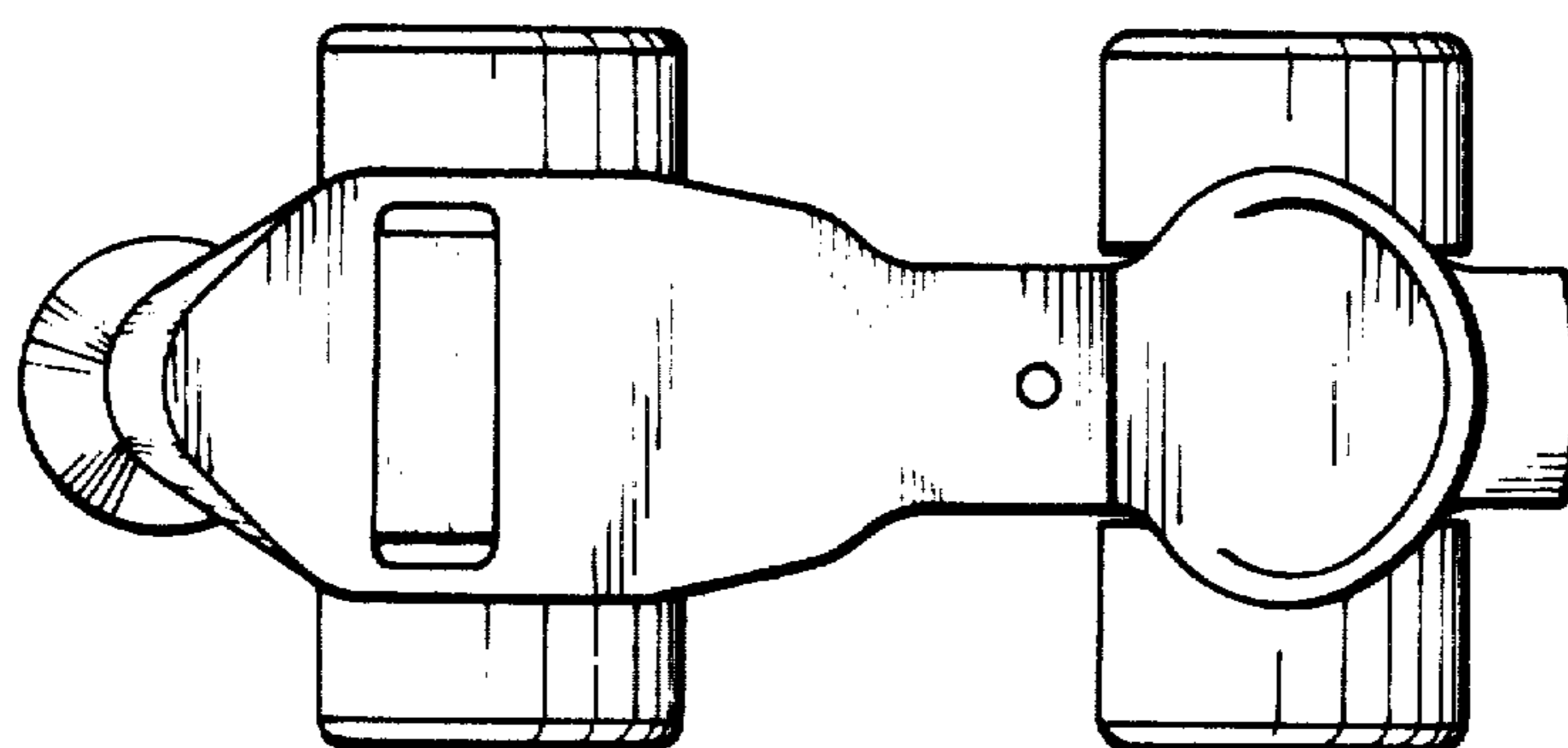


FIG. 3

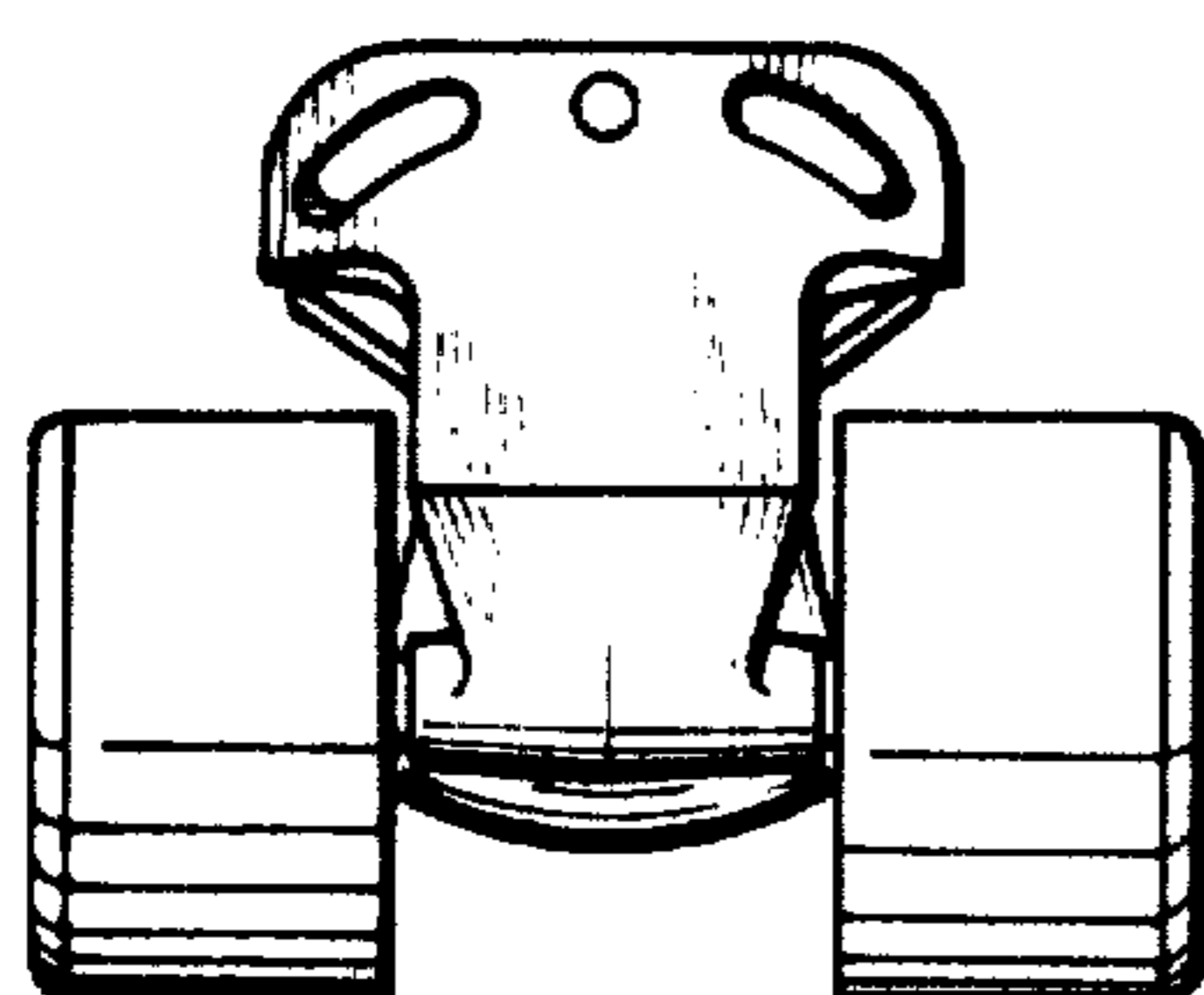


FIG. 4

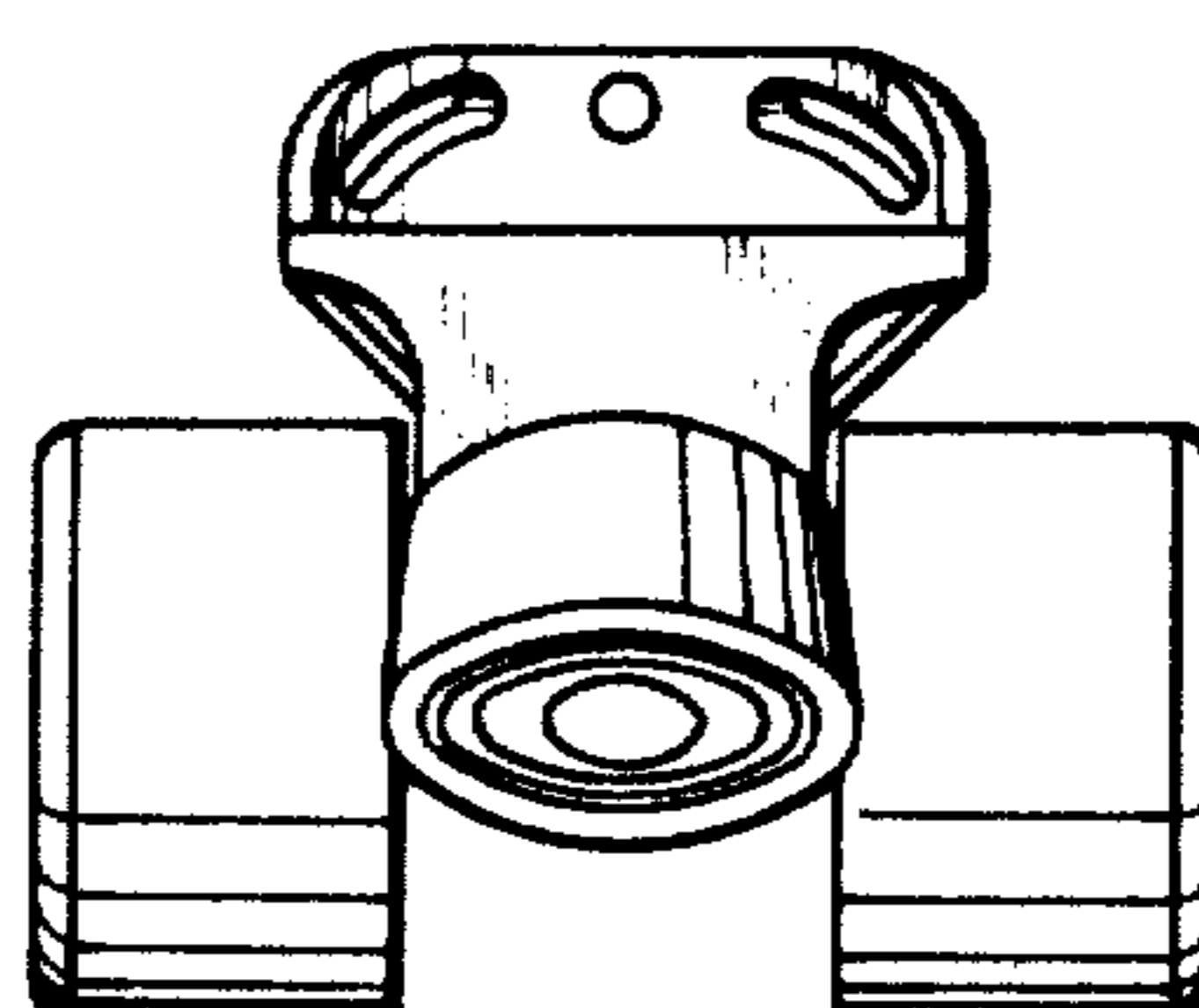


FIG. 5

