

[54] TOY BLOCK

[75] Inventors: Yasushi Chatani, Tokorozawa;  
Toshio Tsuchikura, Koshigaya, both  
of Japan

[73] Assignee: Kawada Co., Ltd., Tokyo, Japan

[\*\*] Term: 14 Years

[21] Appl. No.: 64,487

[22] Filed: Aug. 7, 1979

[30] Foreign Application Priority Data  
May 8, 1978 [JP] Japan ..... 53-18406

[51] Int. Cl. .... D21-01  
[52] U.S. Cl. .... D21/108  
[58] Field of Search ..... D21/104-108;  
46/16, 17, 22, 23, 24, 25, 26, 27, 28, 29, 31;  
D25/86, 85, 80, 61, 70, 77, 78

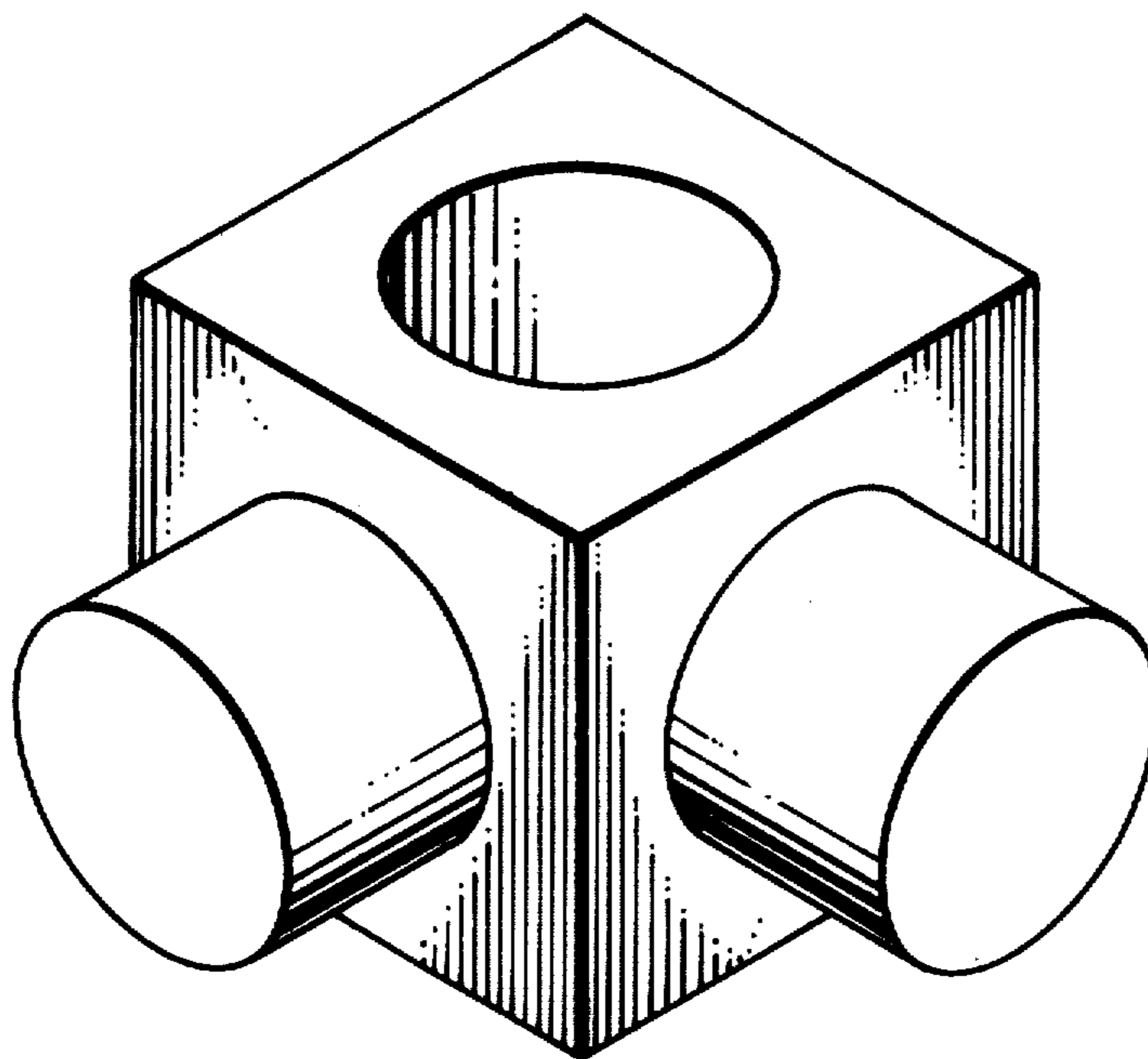
[56] References Cited  
U.S. PATENT DOCUMENTS  
D. 81,117 5/1930 Strouse ..... D21/108  
D. 174,950 6/1955 Frishberg ..... D21/108  
D. 233,541 11/1974 Christiansen ..... D21/108

FOREIGN PATENT DOCUMENTS  
523660 9/1920 France ..... 46/26

Primary Examiner—Charles A. Rademaker  
Attorney, Agent, or Firm—Don B. Finkelstein

[57] CLAIM  
The ornamental design for a toy block, as shown and  
described.

DESCRIPTION  
FIG. 1 is a perspective view of a toy block showing our  
new design;  
FIG. 2 is a top plan view thereof;  
FIG. 3 is a bottom plan view thereof;  
FIG. 4 is a left side elevational view thereof;  
FIG. 5 is a right side elevational view thereof;  
FIG. 6 is a front elevational view thereof;  
FIG. 7 is a rear elevational view thereof; and  
FIG. 8 is a sectional view along the line 8-8 of FIG. 6.



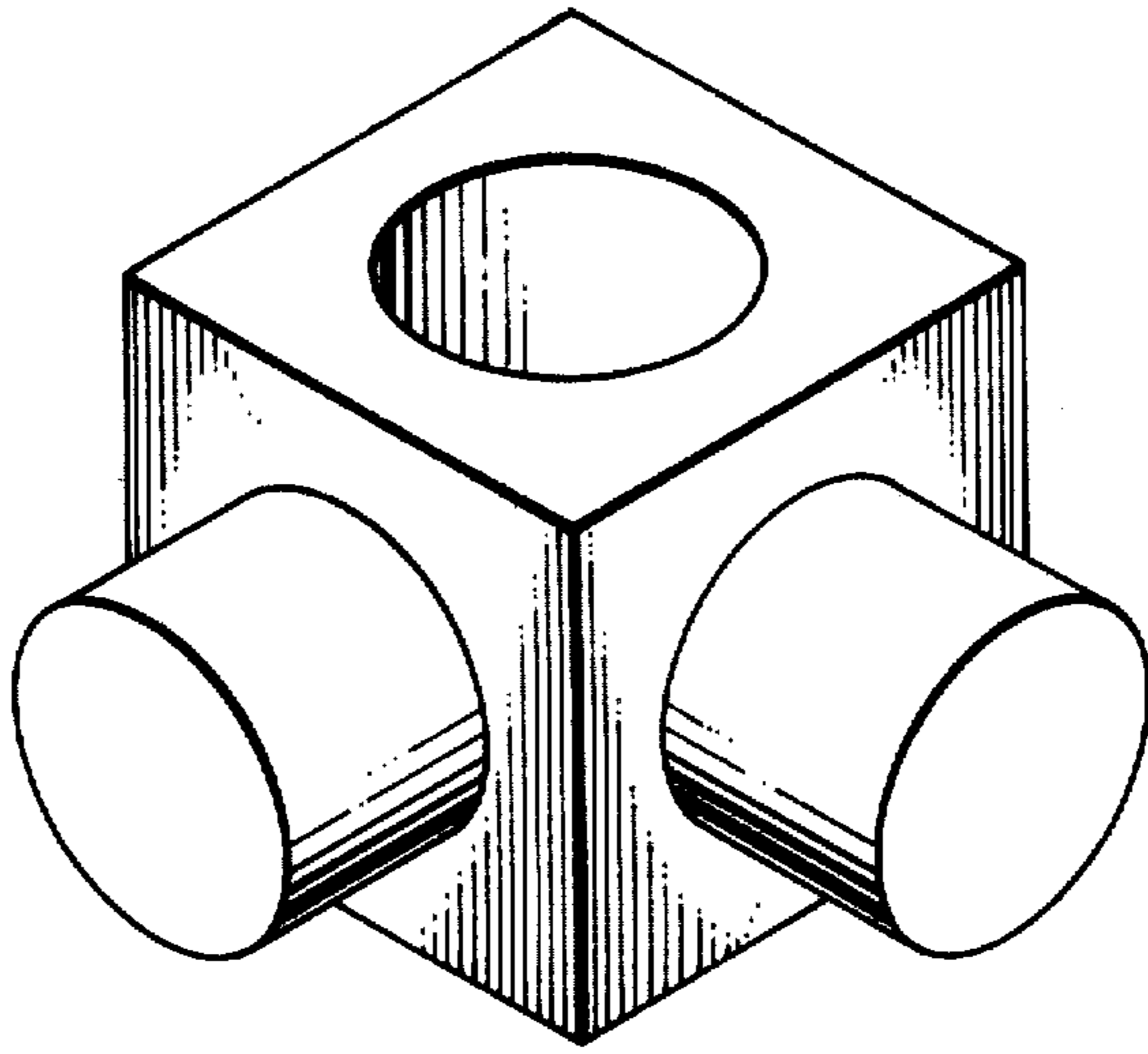


FIG. 1

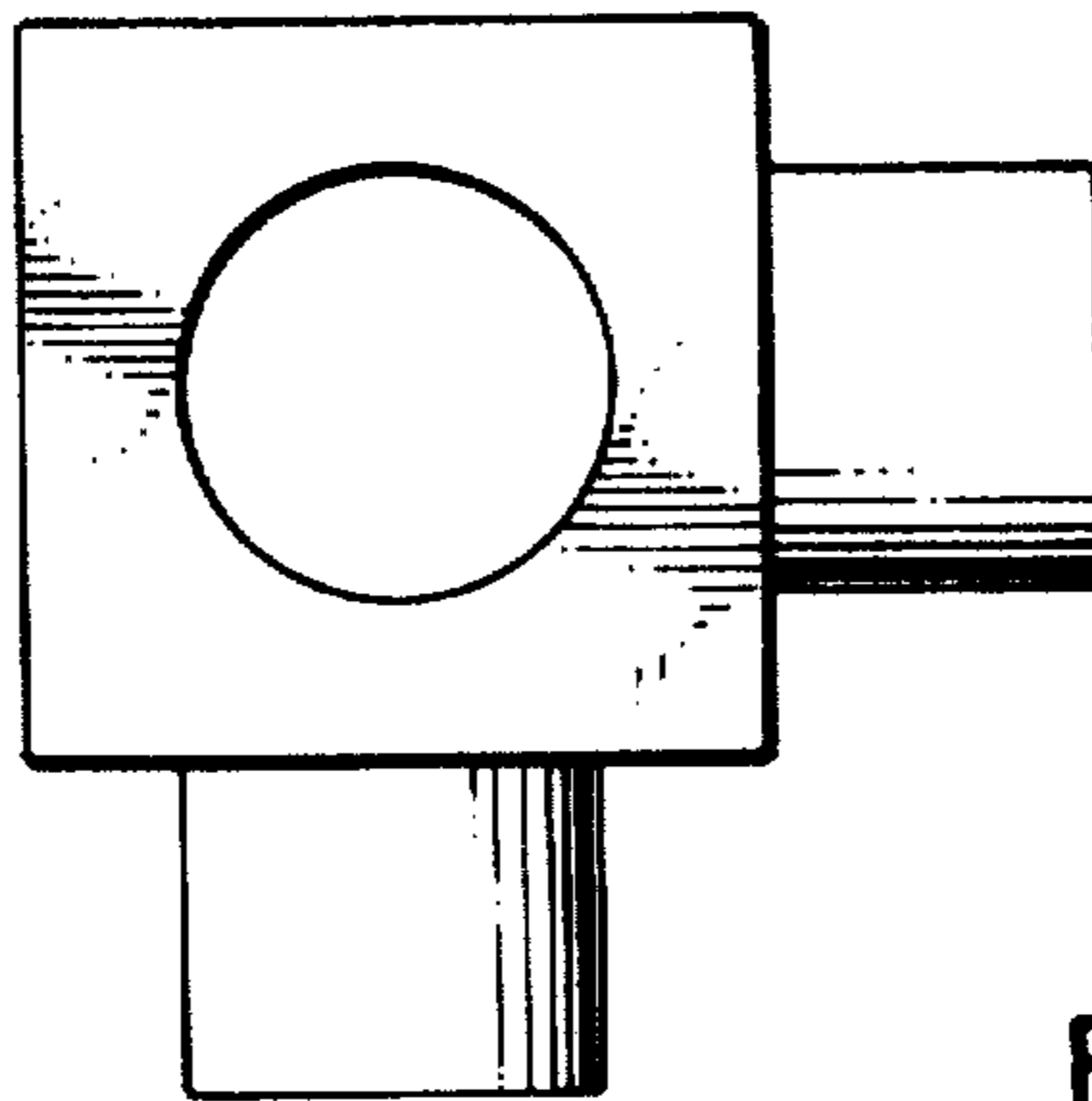


FIG. 2

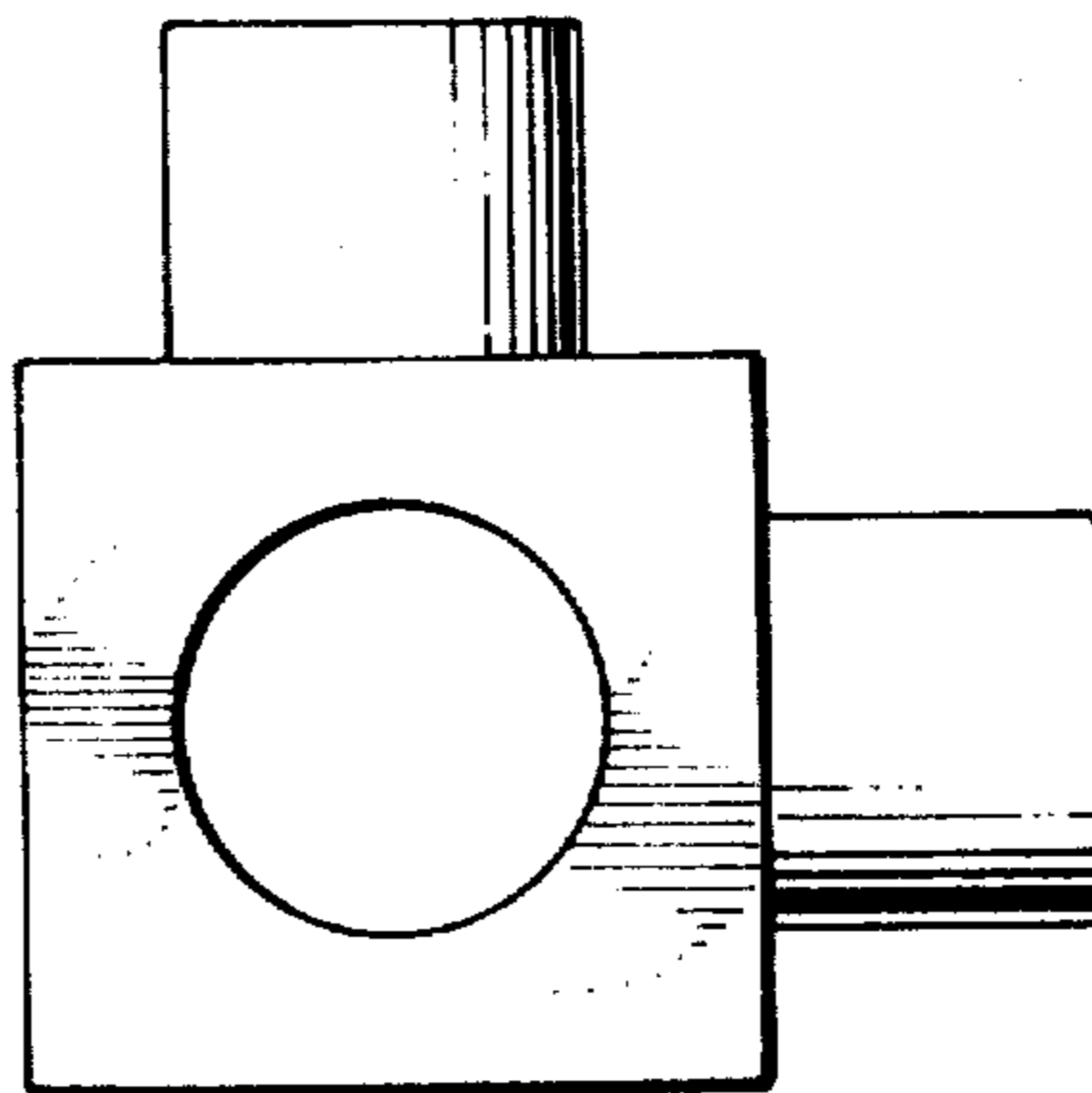


FIG. 3

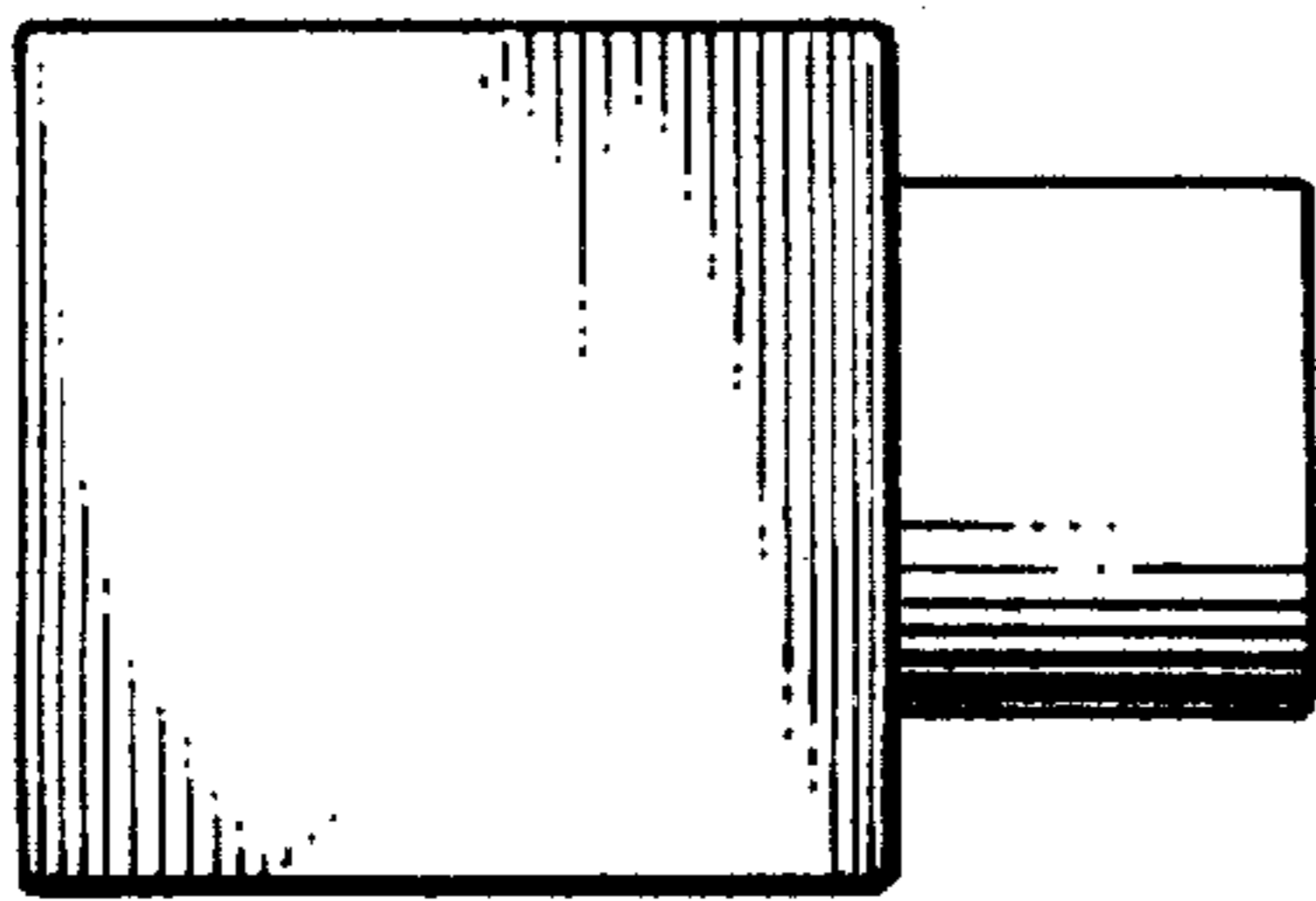


FIG. 4

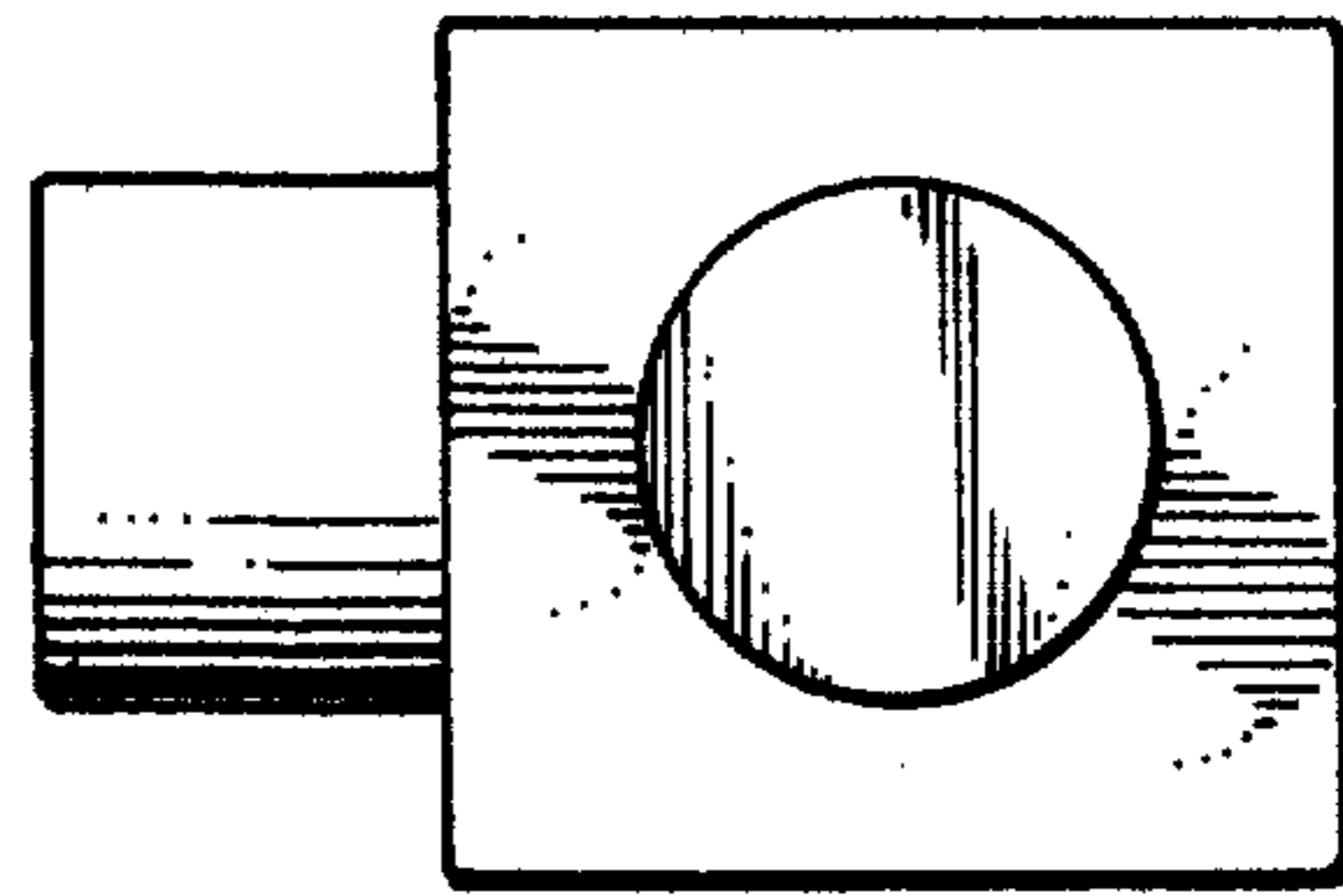


FIG. 5

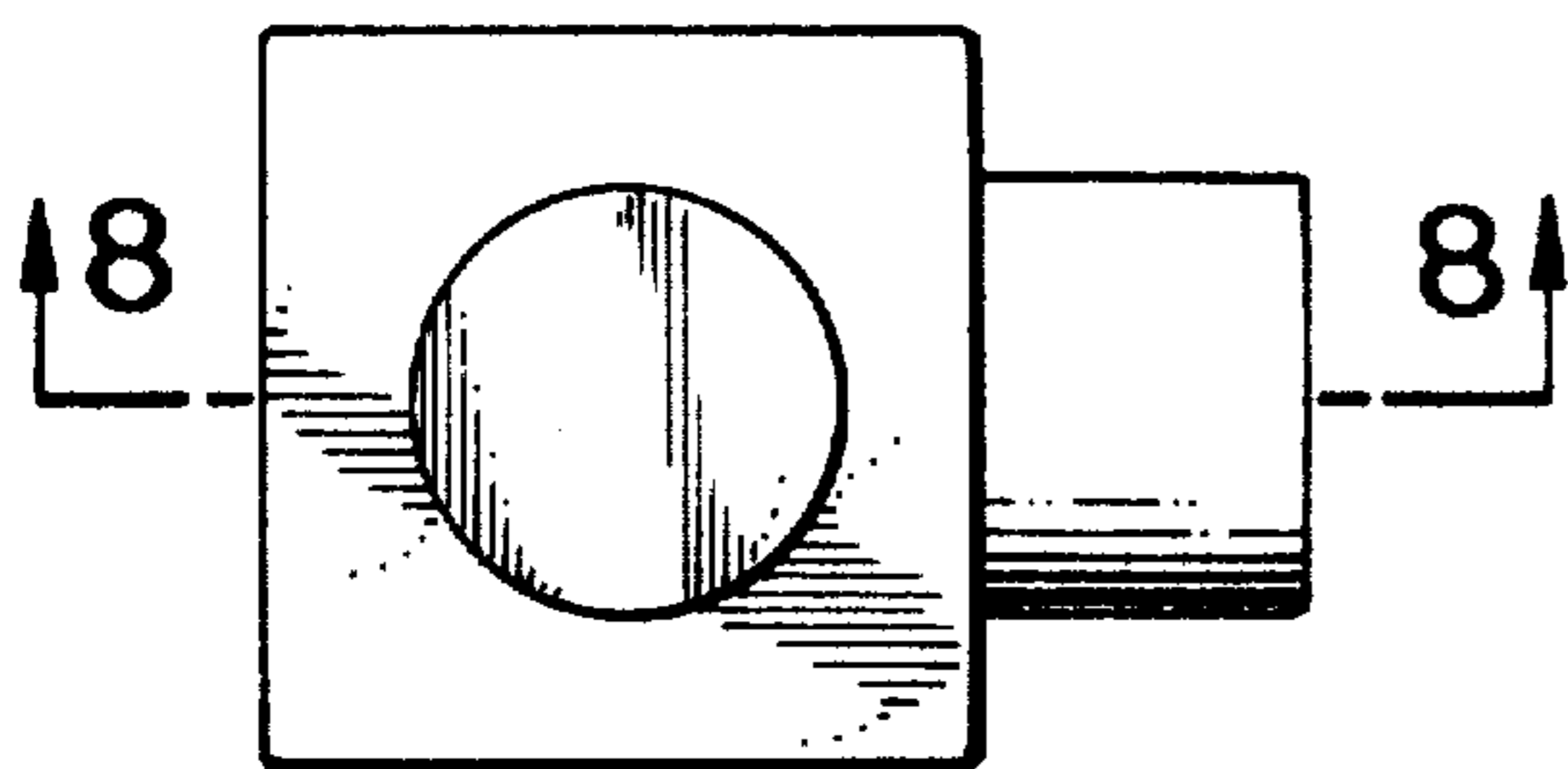


FIG. 6

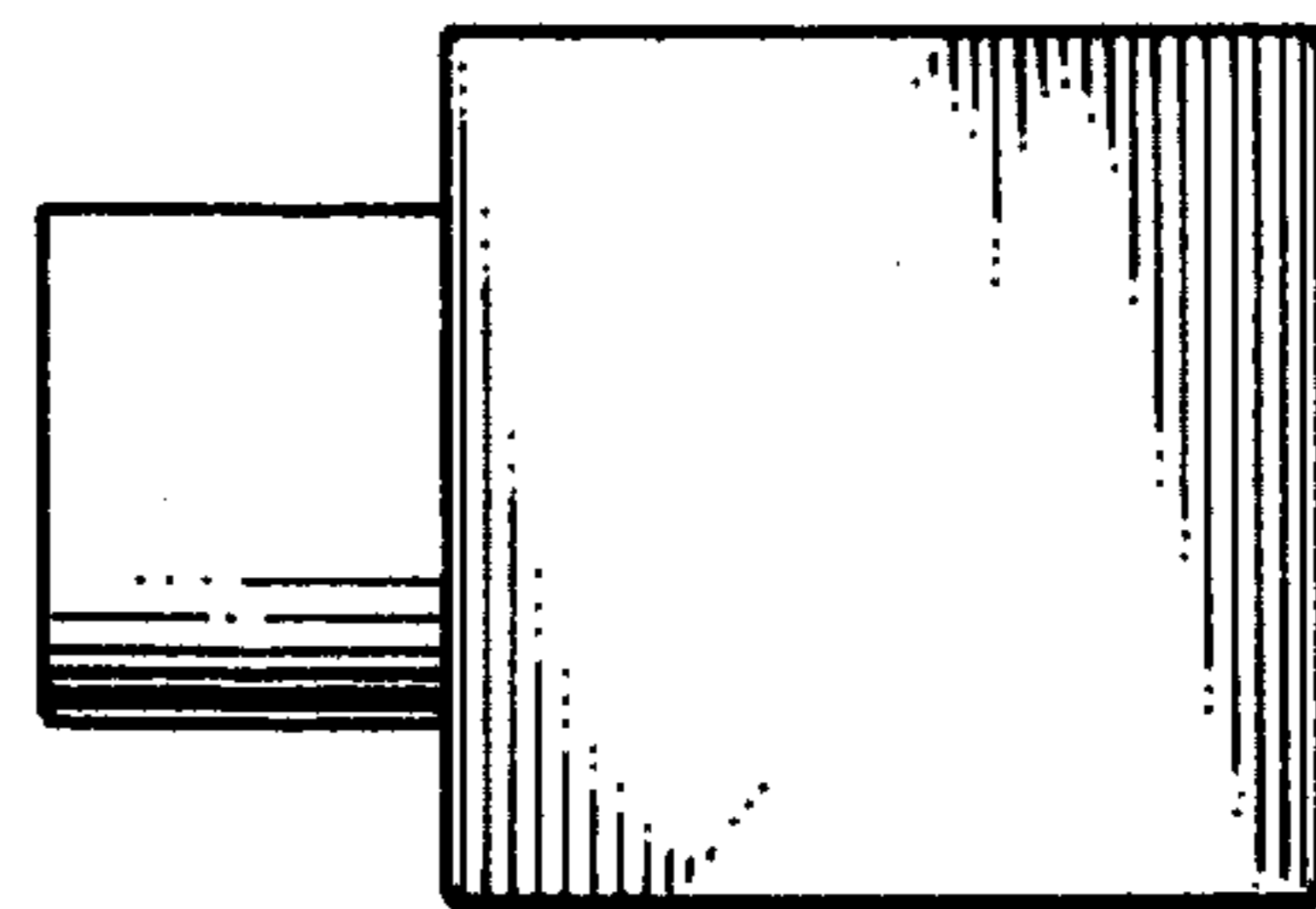


FIG. 7

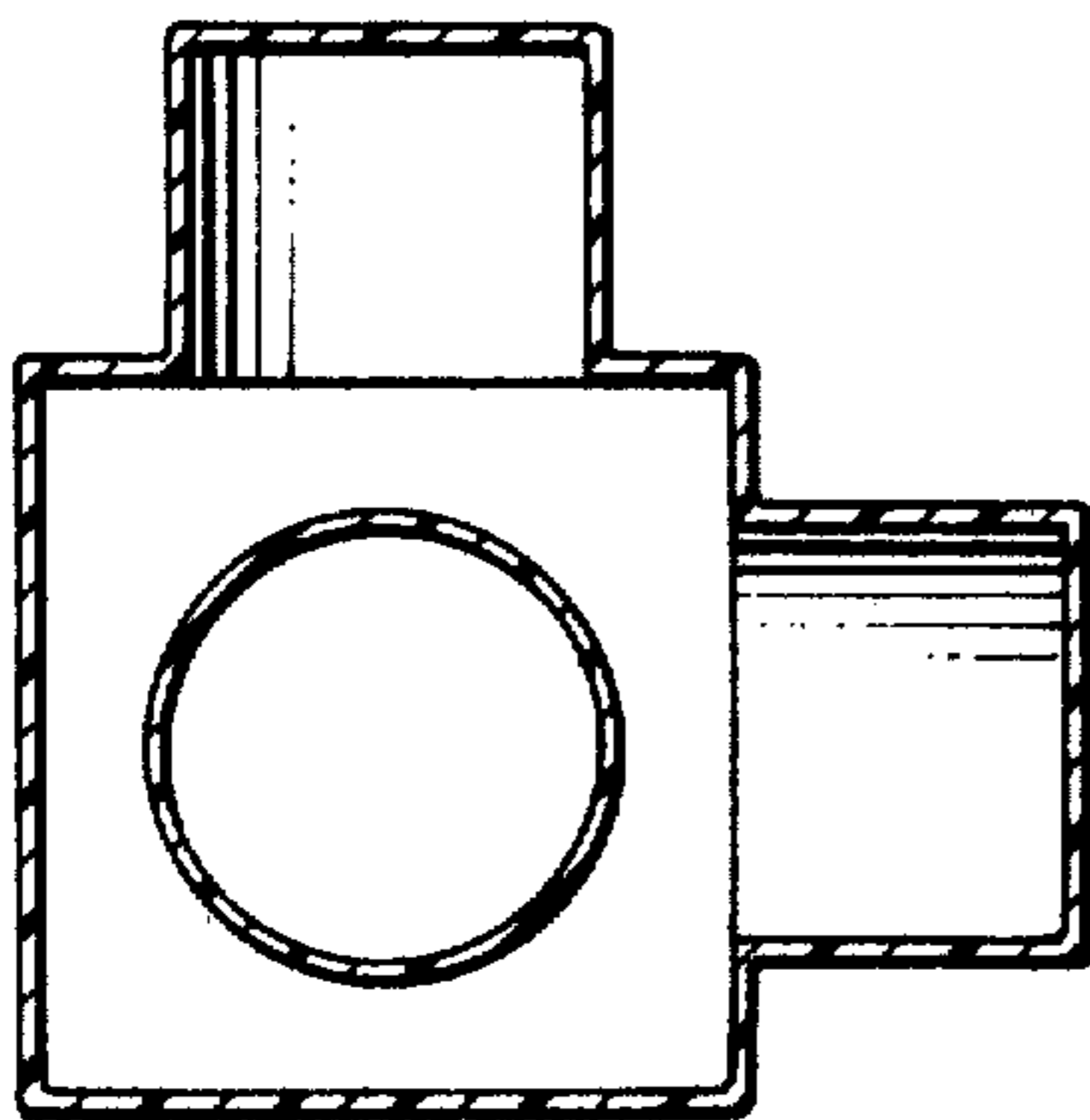


FIG. 8