

[54] **PRINTING ATTACHMENT FOR A PHOTOGRAPHIC PRINTER OR SIMILAR ARTICLE**

[75] Inventor: **Ralph M. Vigna, Rochester, N.Y.**

[73] Assignee: **Eastman Kodak Company, Rochester, N.Y.**

[**] Term: **14 Years**

[21] Appl. No.: **321,343**

[22] Filed: **Nov. 13, 1981**

[51] Int. Cl. **D16-03**

[52] U.S. Cl. **D16/37; D16/34**

[58] Field of Search **D16/25, 27, 28, 29, D16/30, 31, 32, 33, 34, 37; 354/319; 355/18, 27, 64, 70**

[56] **References Cited**

U.S. PATENT DOCUMENTS

D. 249,529	9/1978	Gilligan	D16/34
D. 261,895	11/1981	Frisella	D16/25 X
2,621,571	12/1952	Katzen	354/319 X
2,760,418	8/1956	Hawn	354/319 X

2,855,834	10/1958	Doster	355/64 X
3,511,565	5/1970	Harman	355/64 X
3,797,932	3/1974	Endter	355/18
3,977,783	8/1976	Asaba	355/64
4,220,410	9/1980	Bloodgood	355/18
4,264,194	4/1981	Pone	355/64 X

Primary Examiner—Nelson C. Holtje
Attorney, Agent, or Firm—D. R. Arndt

[57] **CLAIM**

The ornamental design for a printing attachment for a photographic printer or similar article, substantially as shown and described.

DESCRIPTION

FIG. 1 is a front and top-left perspective view of a printing attachment for a photographic printer or similar article showing my new design, the broken-line showing of the printer is environmental only and forms no part of the claimed design;

FIG. 2 is a top plan view thereof;

FIG. 3 is a front perspective view thereof;

FIG. 4 is a rear perspective view thereof;

FIG. 5 is a right side perspective view thereof;

FIG. 6 is a left side perspective view thereof;

FIG. 7 is a bottom plan view thereof.

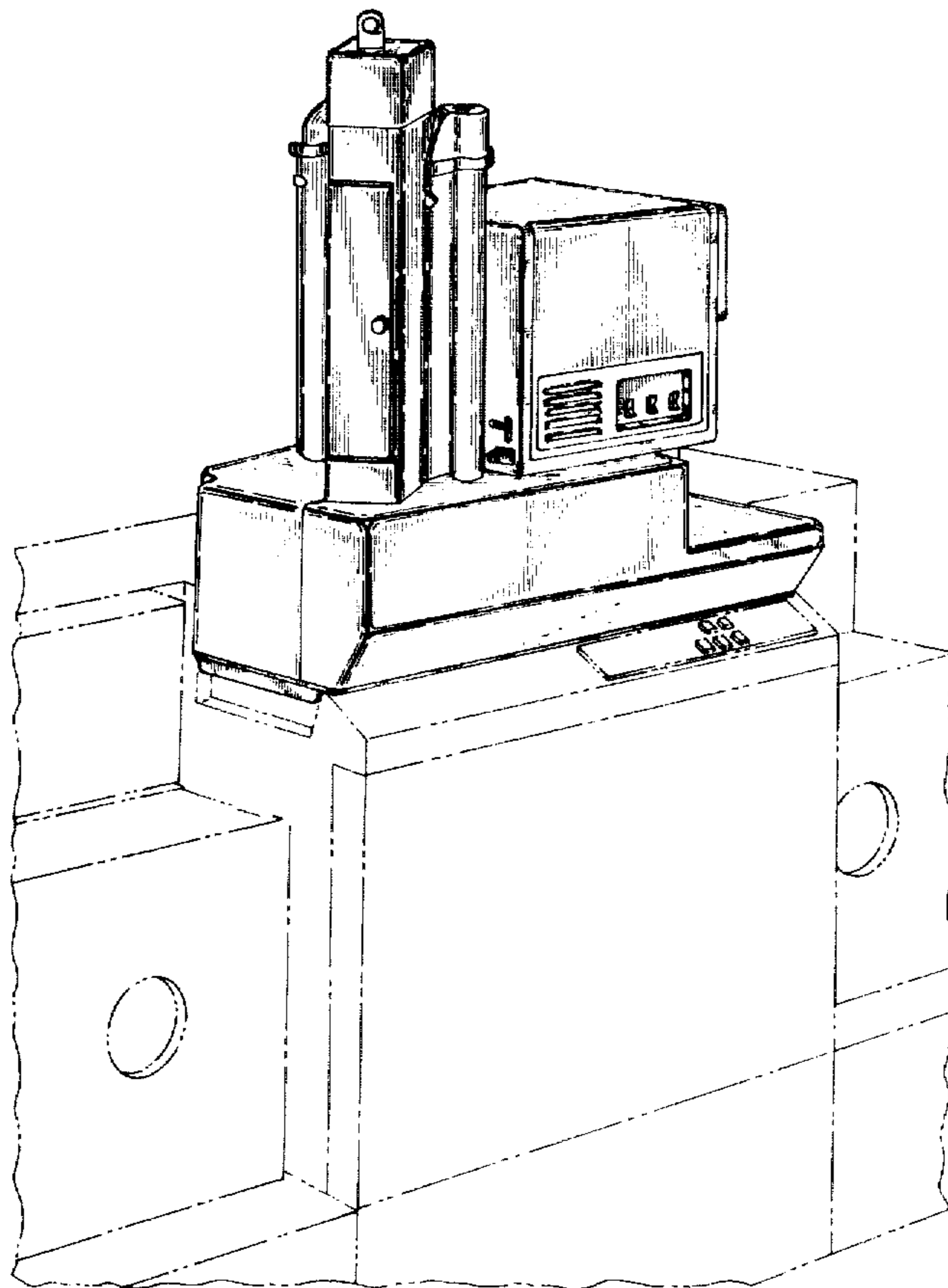
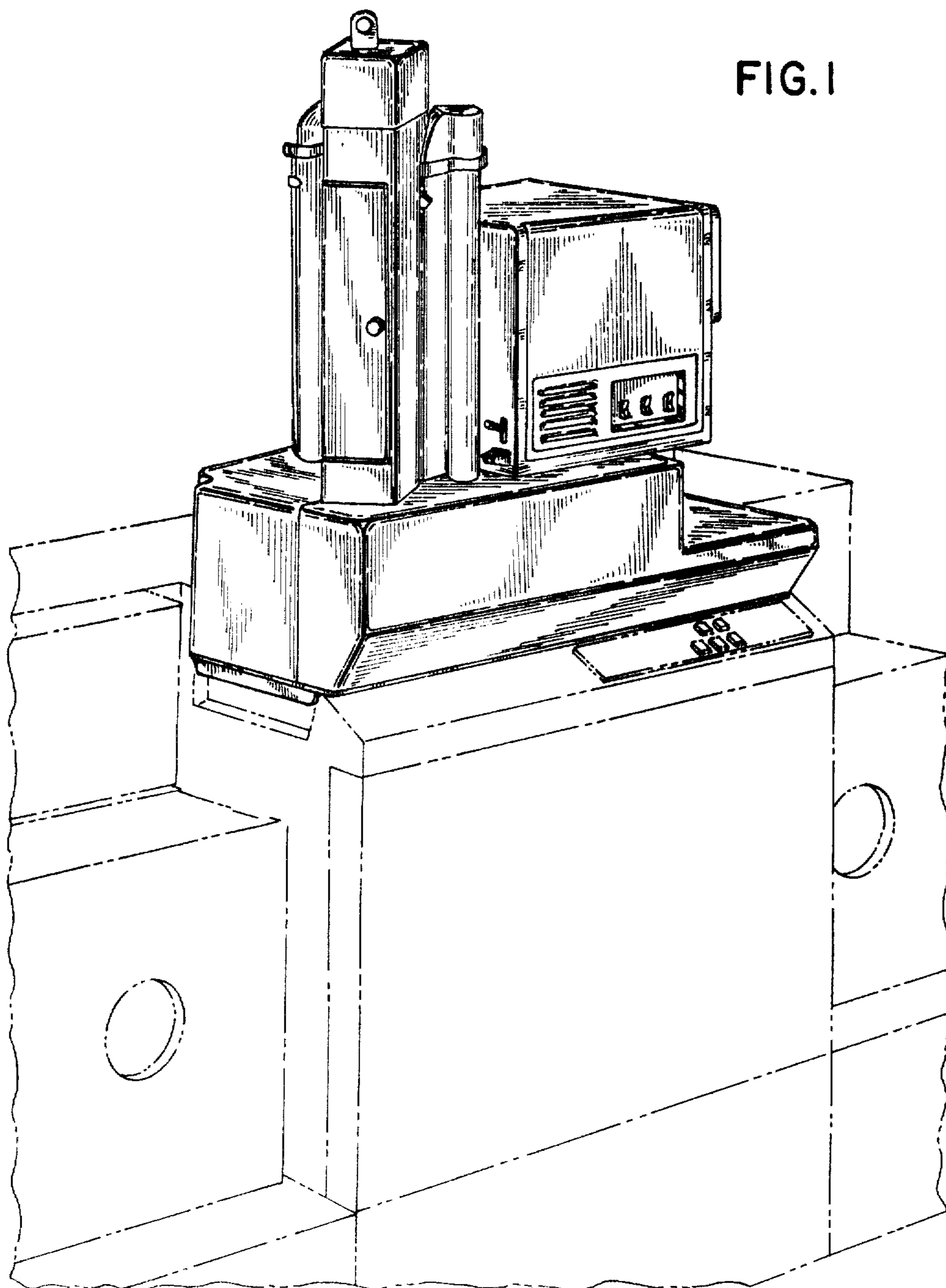


FIG. 1



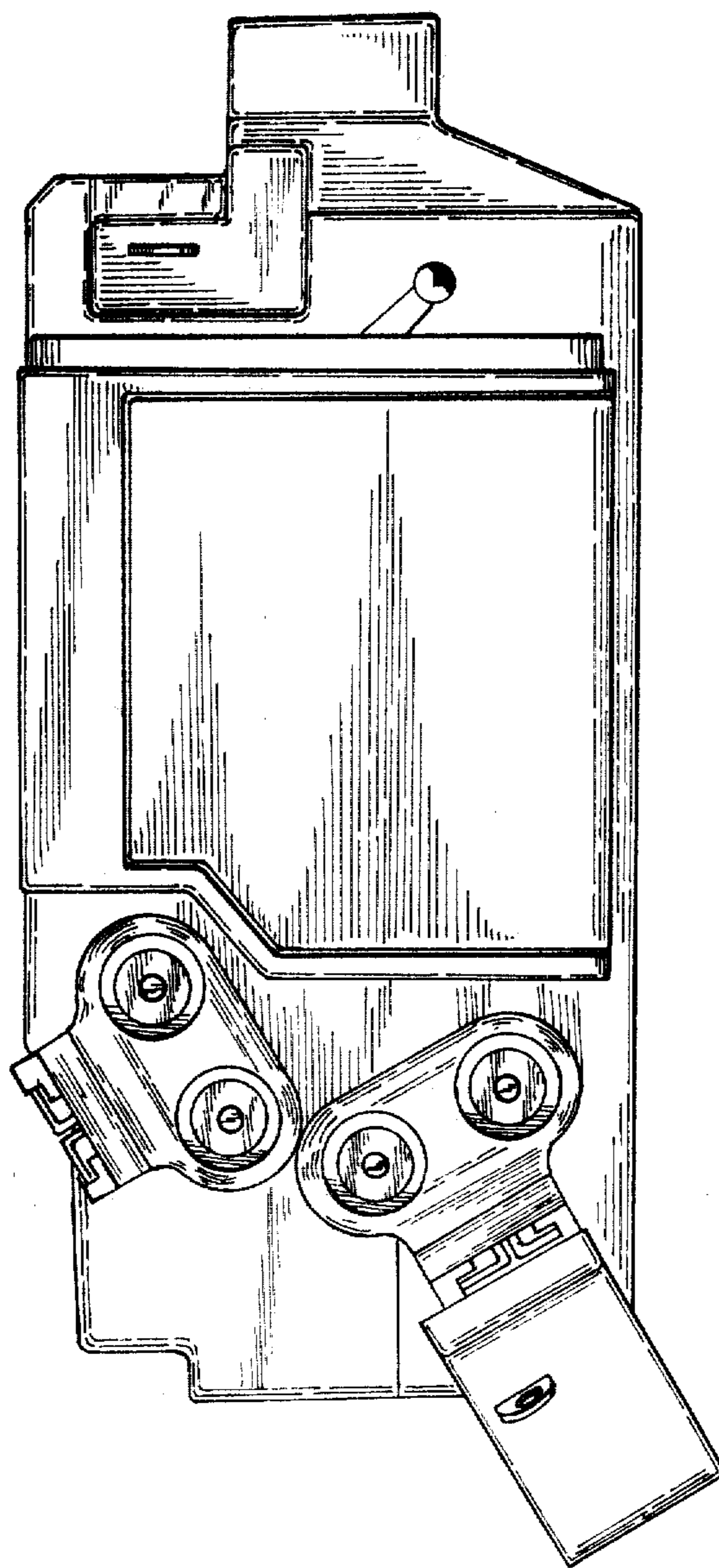


FIG. 2

FIG. 3

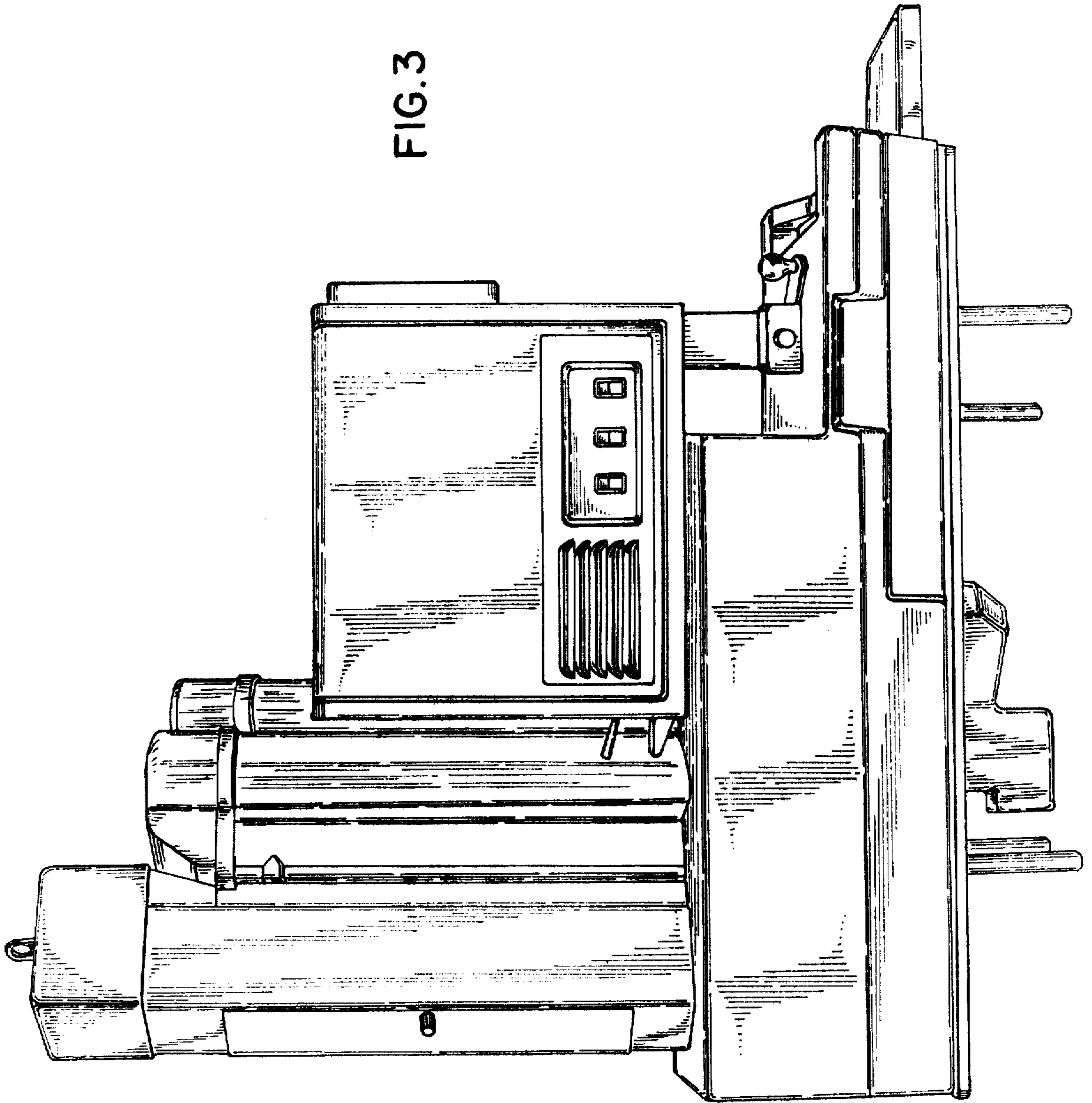
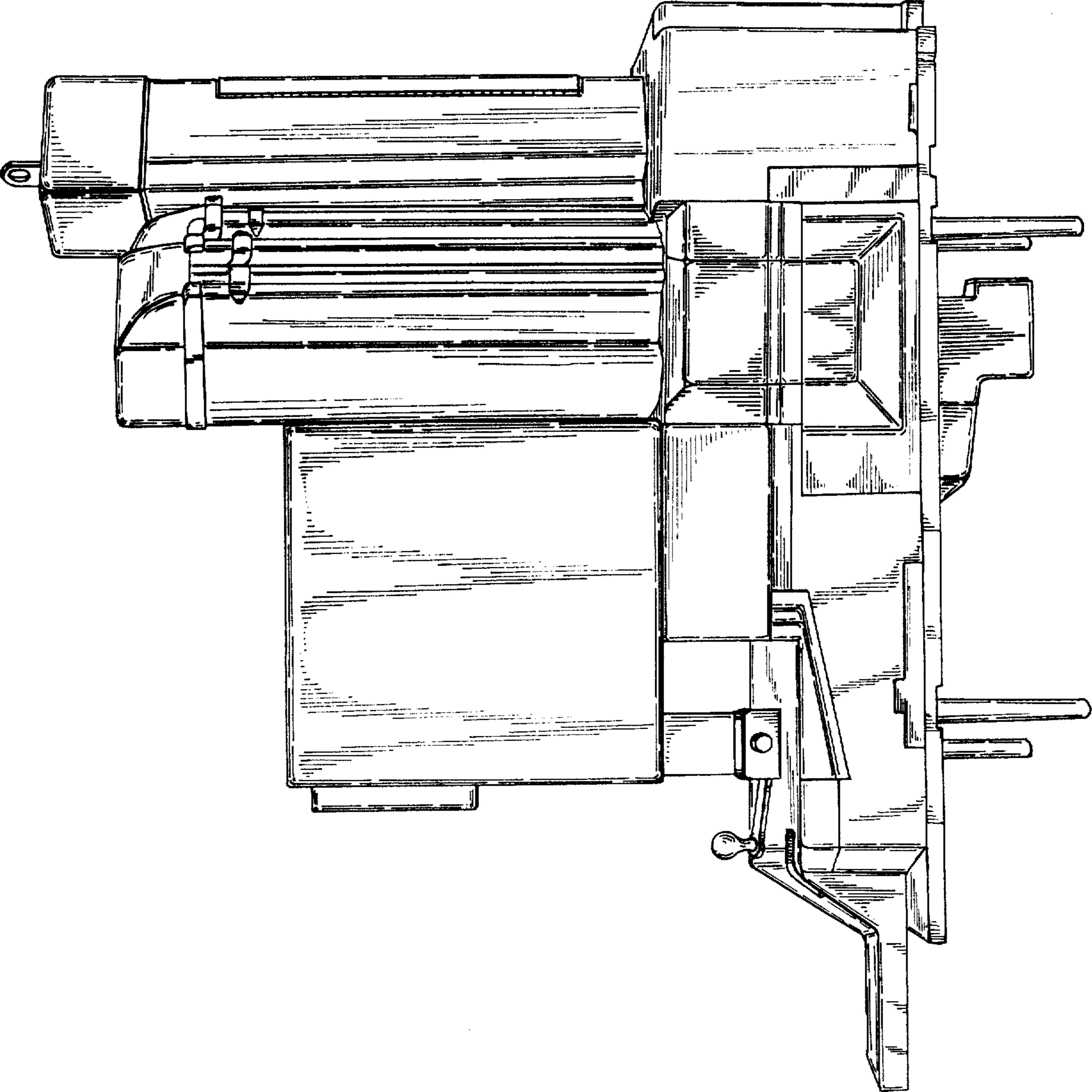


FIG. 4



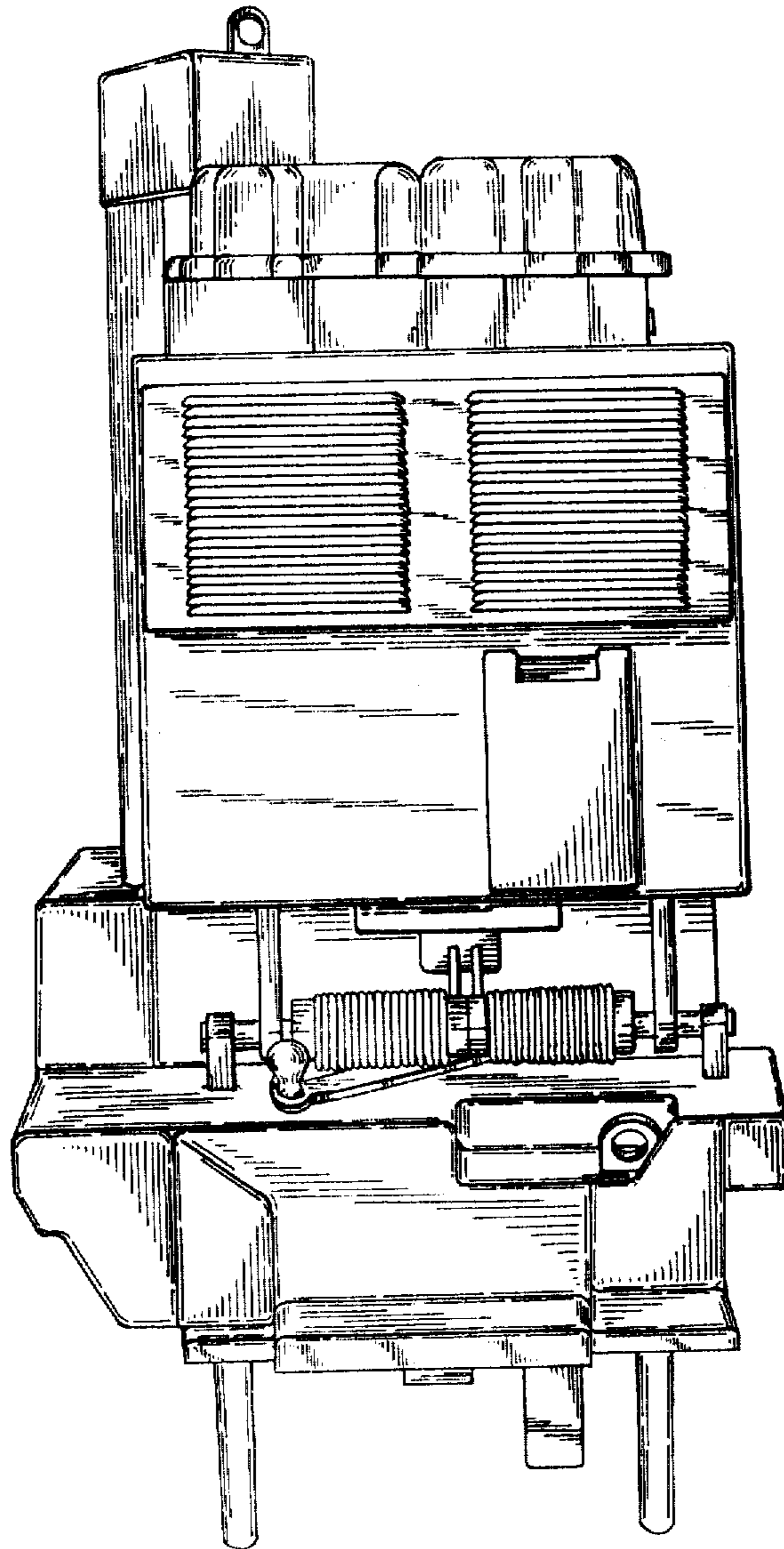


FIG. 5

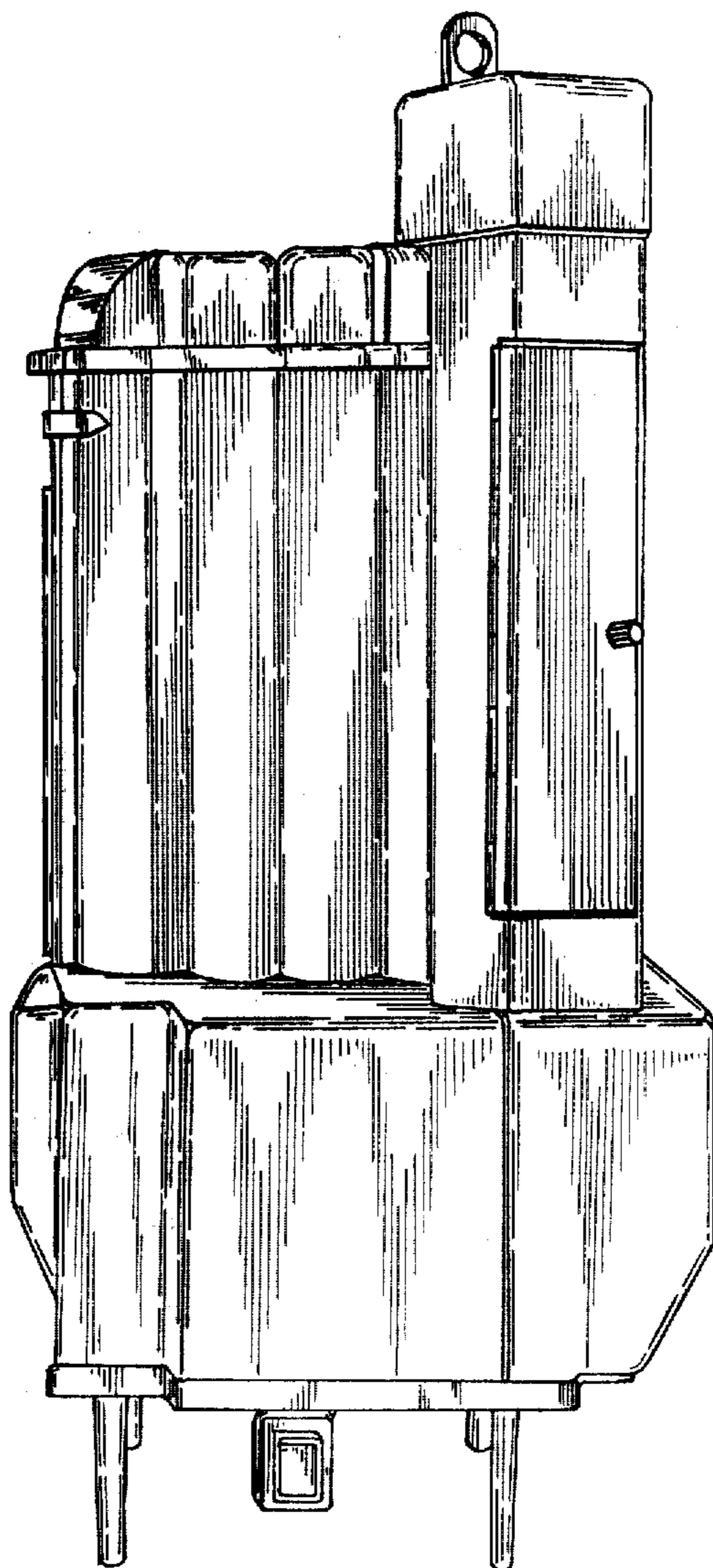


FIG. 6

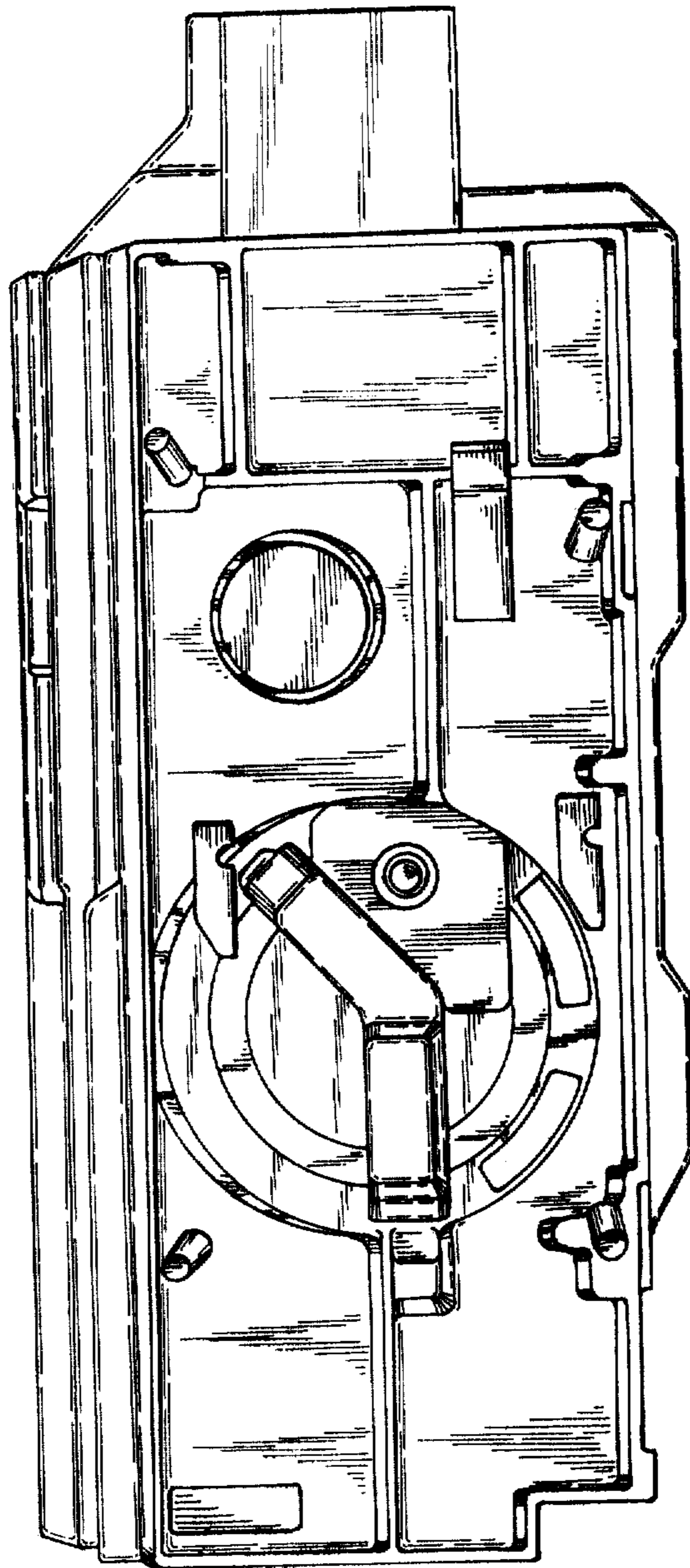


FIG. 7