

[54] DEVELOPER CONTAINER

[75] Inventor: Manzo Yoshihama, Yokohama, Japan

[73] Assignee: Ricoh Company, Ltd., Japan

[\*\*] Term: Years

[21] Appl. No.: 288,676

[22] Filed: Jul. 31, 1981

[30] Foreign Application Priority Data

Feb. 2, 1981 [JP] Japan ..... 56-003619

[51] Int. Cl. .... D16-99

[52] U.S. Cl. .... D16/32

[58] Field of Search ..... D16/32; D9/367, 373, D9/374, 375, 376; 222/DIG. 1

[56] References Cited

U.S. PATENT DOCUMENTS

D. 198,475 6/1964 Mojonnier ..... D9/375

D. 207,922 6/1967 Frazer ..... D9/375

D. 214,021 5/1969 Bacialli ..... D9/375  
D. 218,152 7/1970 Emerson ..... D16/32  
D. 220,679 5/1971 Finkel ..... D9/375  
D. 223,484 4/1972 Turner ..... D9/375  
D. 245,761 9/1977 Alseth ..... D16/32  
3,618,826 11/1971 Kangas ..... 222/DIG. 1

Primary Examiner—Nelson C. Holtje  
Attorney, Agent, or Firm—Guy W. Shoup

[57] CLAIM

The ornamental design for a developer container, as shown and described.

DESCRIPTION

FIG. 1 is a front, top and left side perspective view of a developer container, showing my new design.  
FIG. 2 is a front elevational view thereof.  
FIG. 3 is a rear elevational view thereof.  
FIG. 4 is a top plan view thereof.  
FIG. 5 is a bottom plan view thereof.  
FIG. 6 is a left side elevational view thereof.  
FIG. 7 is a right side elevational view thereof.

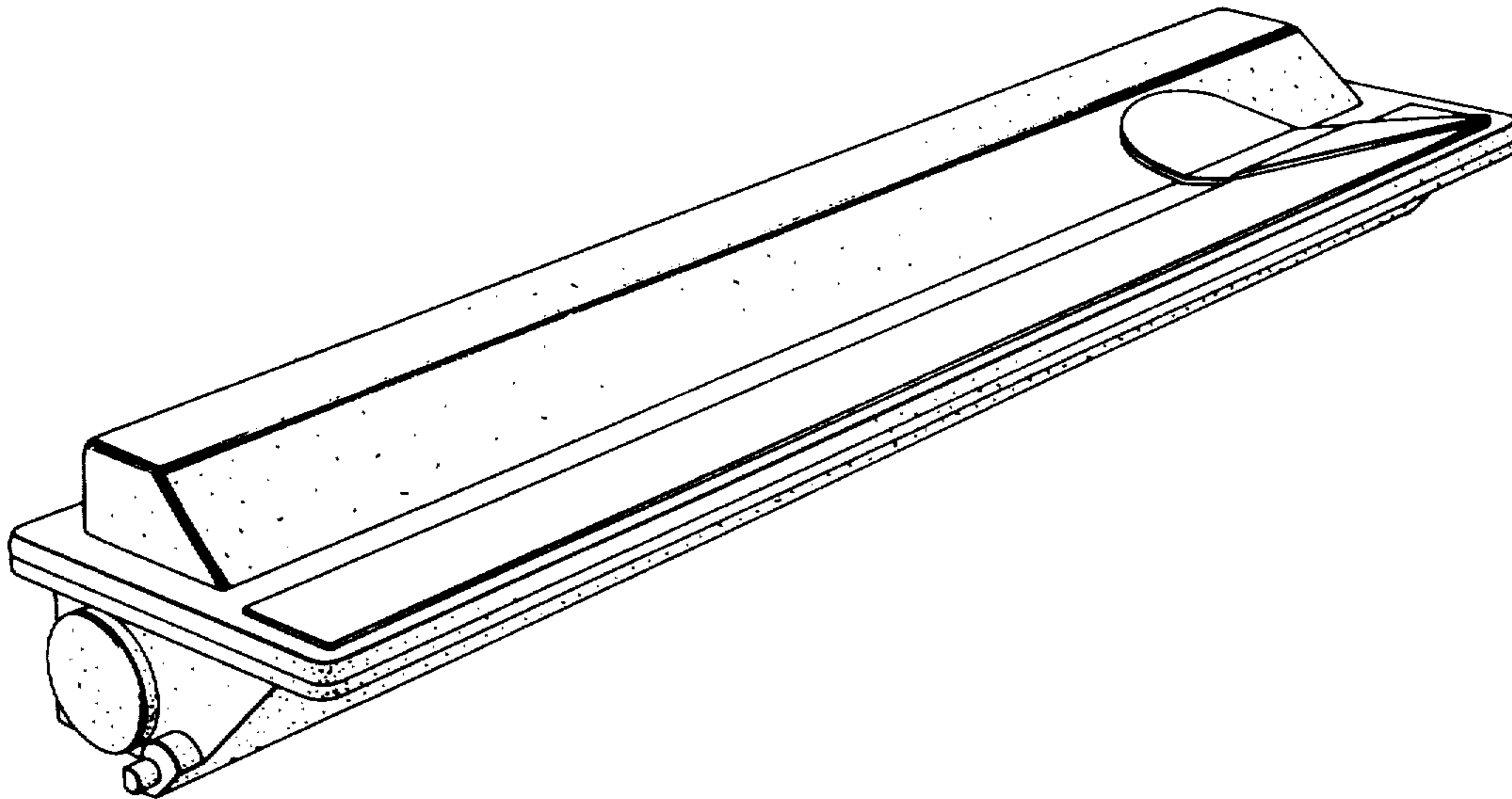


FIG. 1

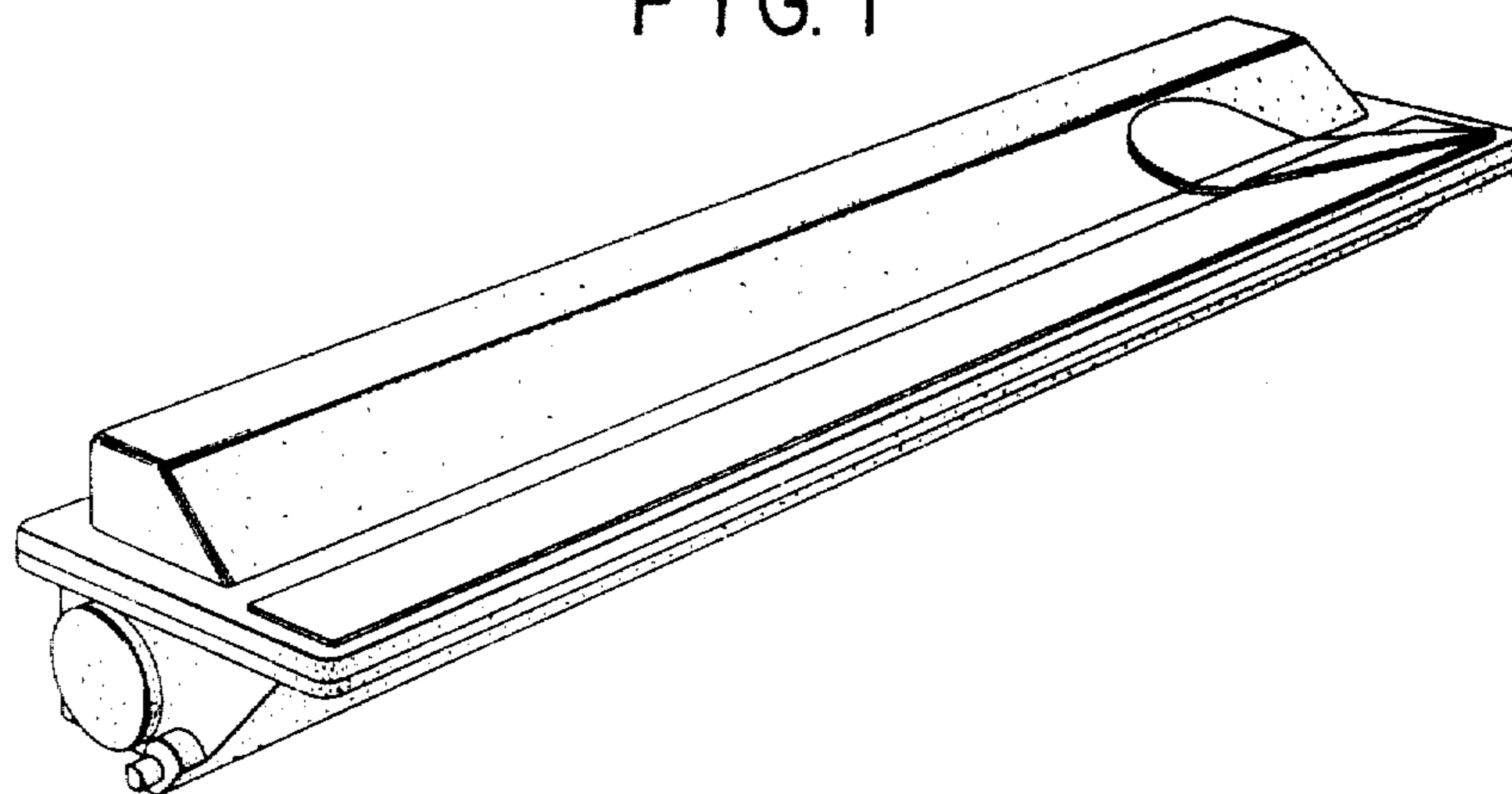


FIG. 2

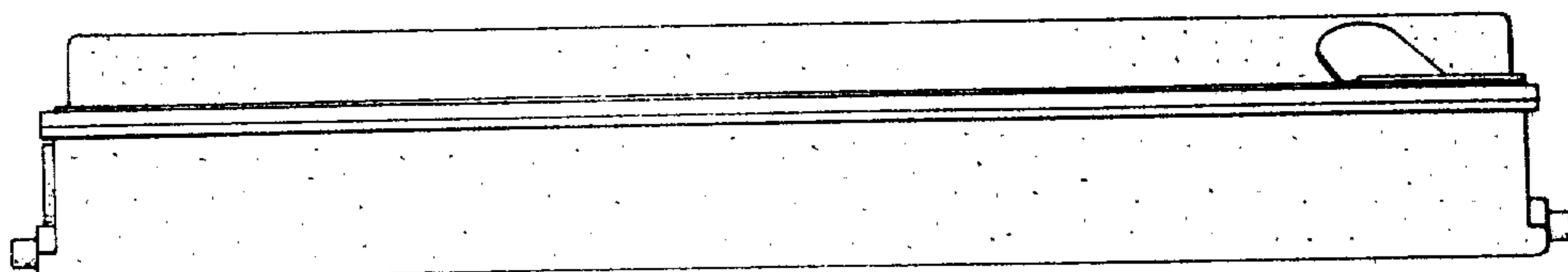


FIG. 3

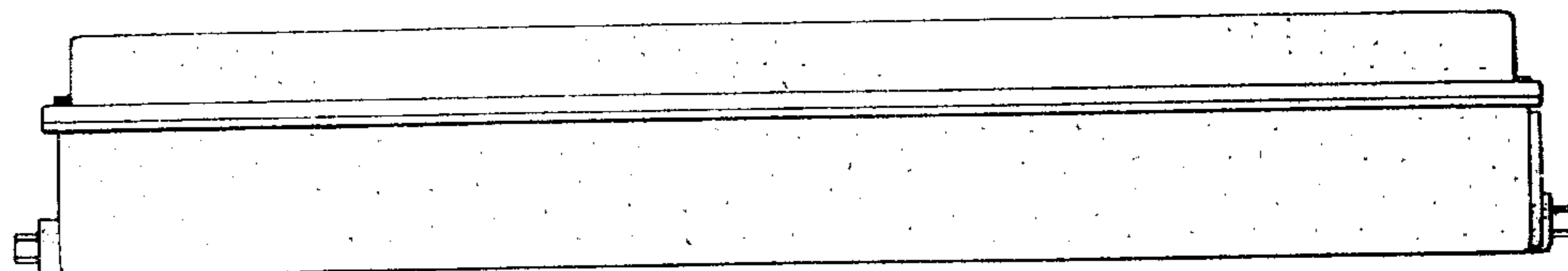


FIG. 4

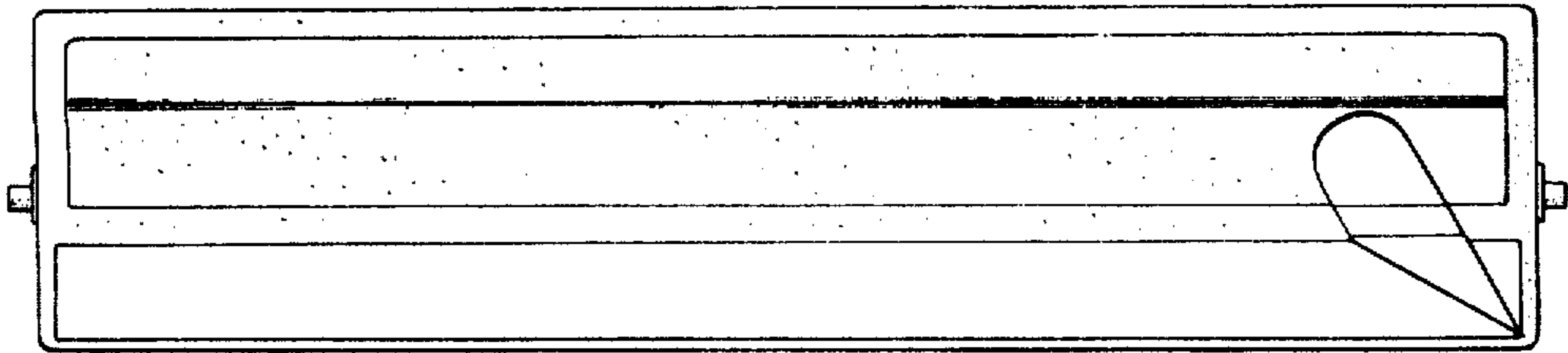


FIG. 5

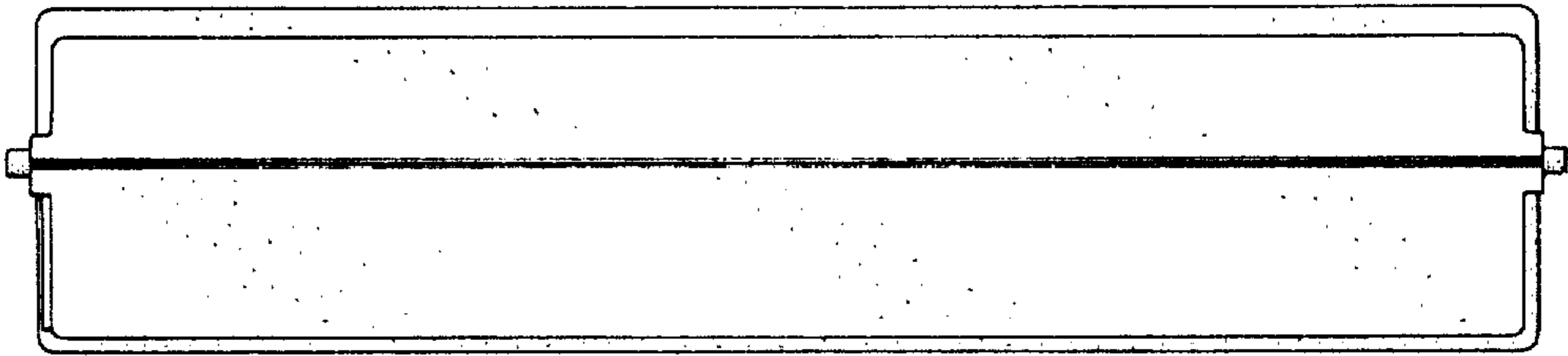


FIG. 6

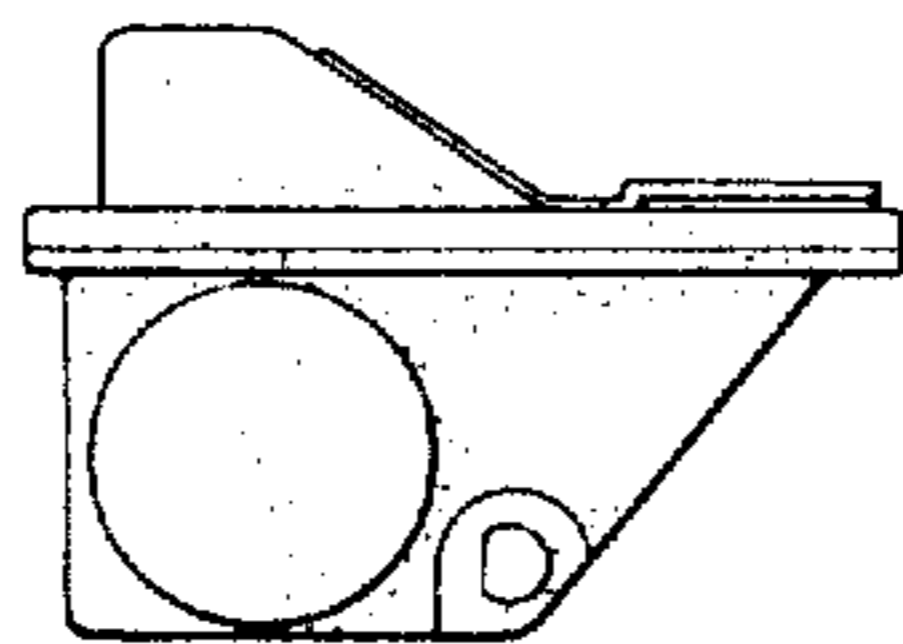
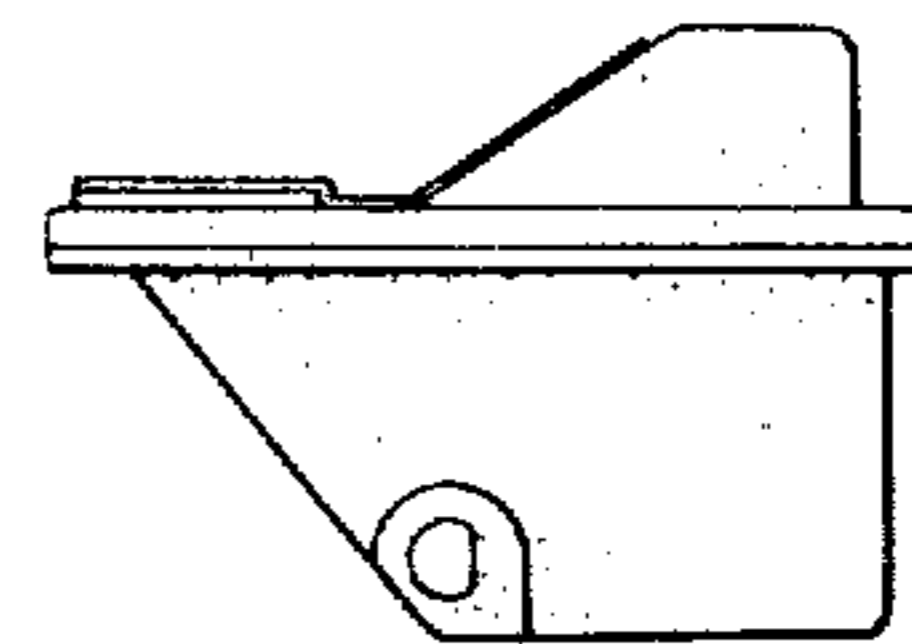


FIG. 7



UNITED STATES PATENT AND TRADEMARK OFFICE  
**CERTIFICATE OF CORRECTION**

PATENT NO. : Des. 272,251  
DATED : January 17, 1984  
INVENTOR(S) : Manzo Yoshihama

It is certified that error appears in the above-identified patent and that said Letters Patent is hereby corrected as shown below:

On the title page, insert -- 14 -- after "Term:" and before  
"Years".

**Signed and Sealed this**  
*Fourteenth Day of August 1984*

[SEAL]

*Attest:*

*Attesting Officer*

**GERALD J. MOSSINGHOFF**  
*Commissioner of Patents and Trademarks*