

[54] DESKTOP COMPUTER SYSTEM

[75] Inventors: Richard R. Dillon, Wellesley; John E. Graham, Sudbury; David G. Kmetz, Arlington, all of Mass.

[73] Assignee: Honeywell Information Systems Inc., Waltham, Mass.

[**] Term: 14 Years

[21] Appl. No.: 297,689

[22] Filed: Aug. 31, 1981

[51] Int. Cl. D14-02

[52] U.S. Cl. D14/106

[58] Field of Search D14/100-115; 364/900; 340/700, 711, 720

[56] References Cited

U.S. PATENT DOCUMENTS

D. 235,655 7/1975 Clement et al. D14/113

OTHER PUBLICATIONS

Office Products, 8-1980, p. 33, Cado Systems C.A.T.™ Computer.

Primary Examiner—Susan J. Lucas
Attorney, Agent, or Firm—William A. Linnell; Nicholas Prasinis

[57] CLAIM

The ornamental design of a desktop computer system, as shown and described.

DESCRIPTION

FIG. 1 is a front and left side perspective view of a desktop computer system showing our design;

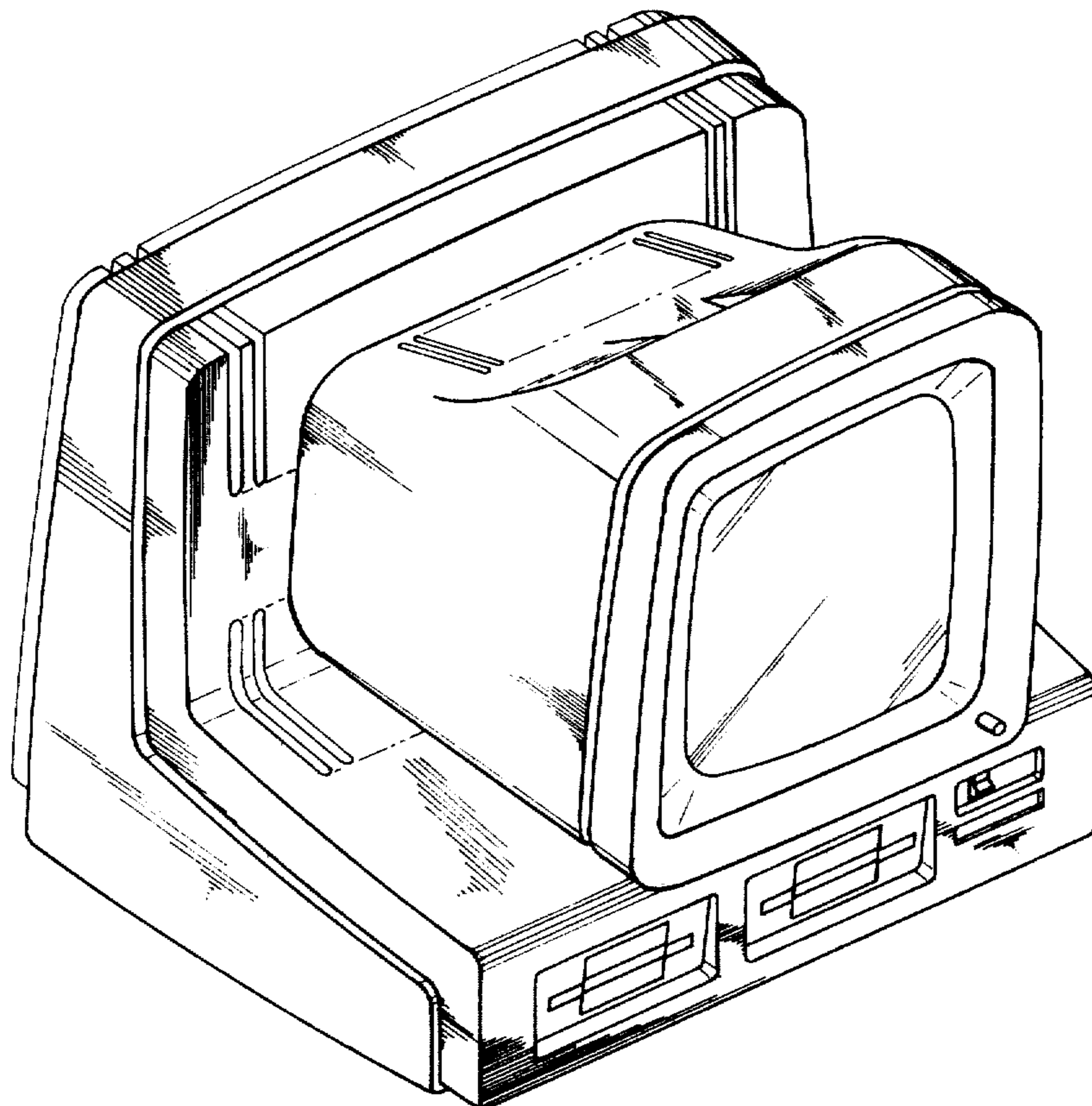
FIG. 2 is a front elevational view thereof on an enlarged scale;

FIG. 3 is a right side elevational view thereof on an enlarged scale;

FIG. 4 is a top plan view thereof on an enlarged scale;

FIG. 5 is a rear elevational view thereof on an enlarged scale.

The ventilating slots are partially shown in FIGS. 1, 4 and 5 for convenience of illustration.



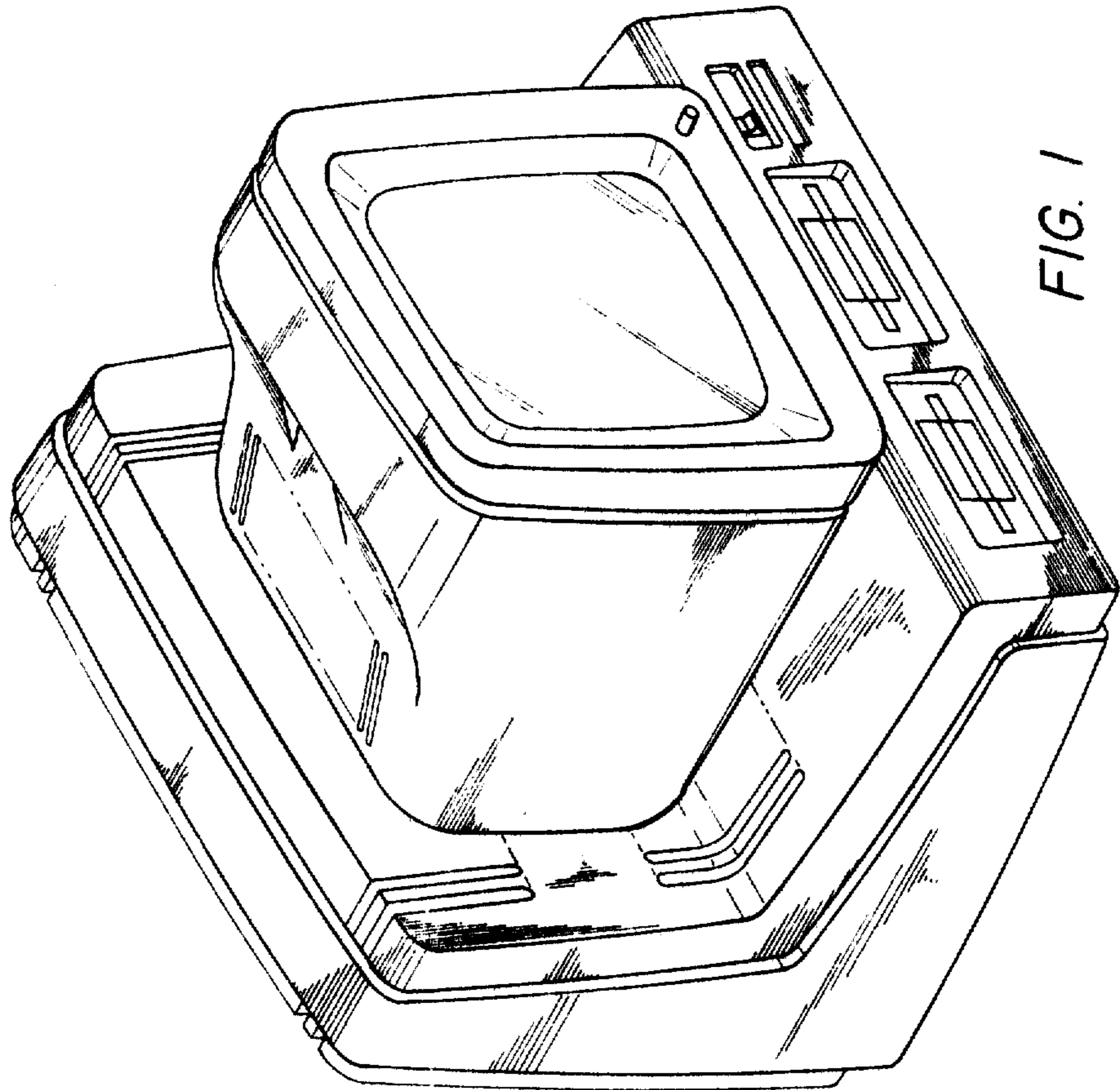


FIG. 1

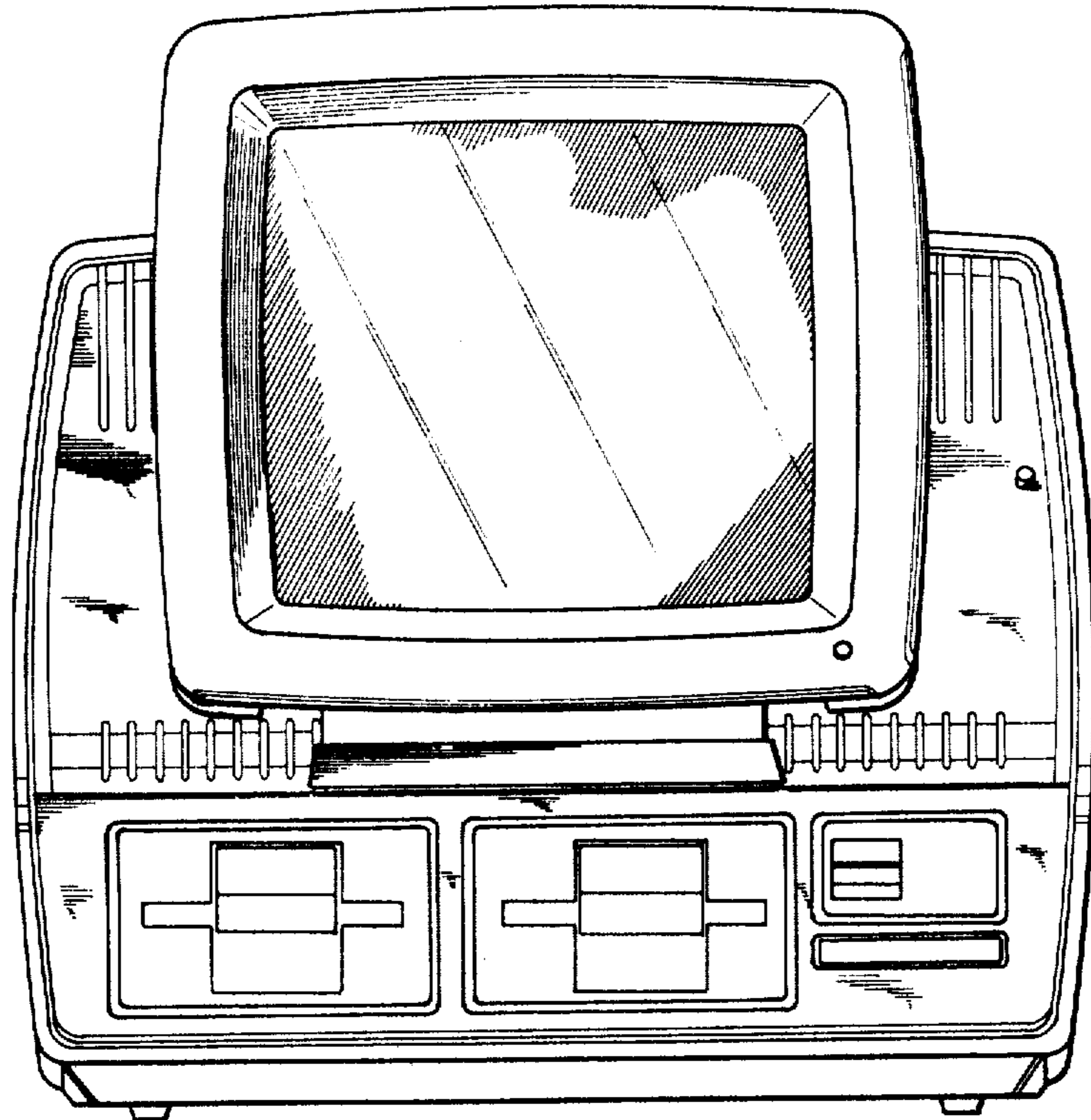


FIG. 2

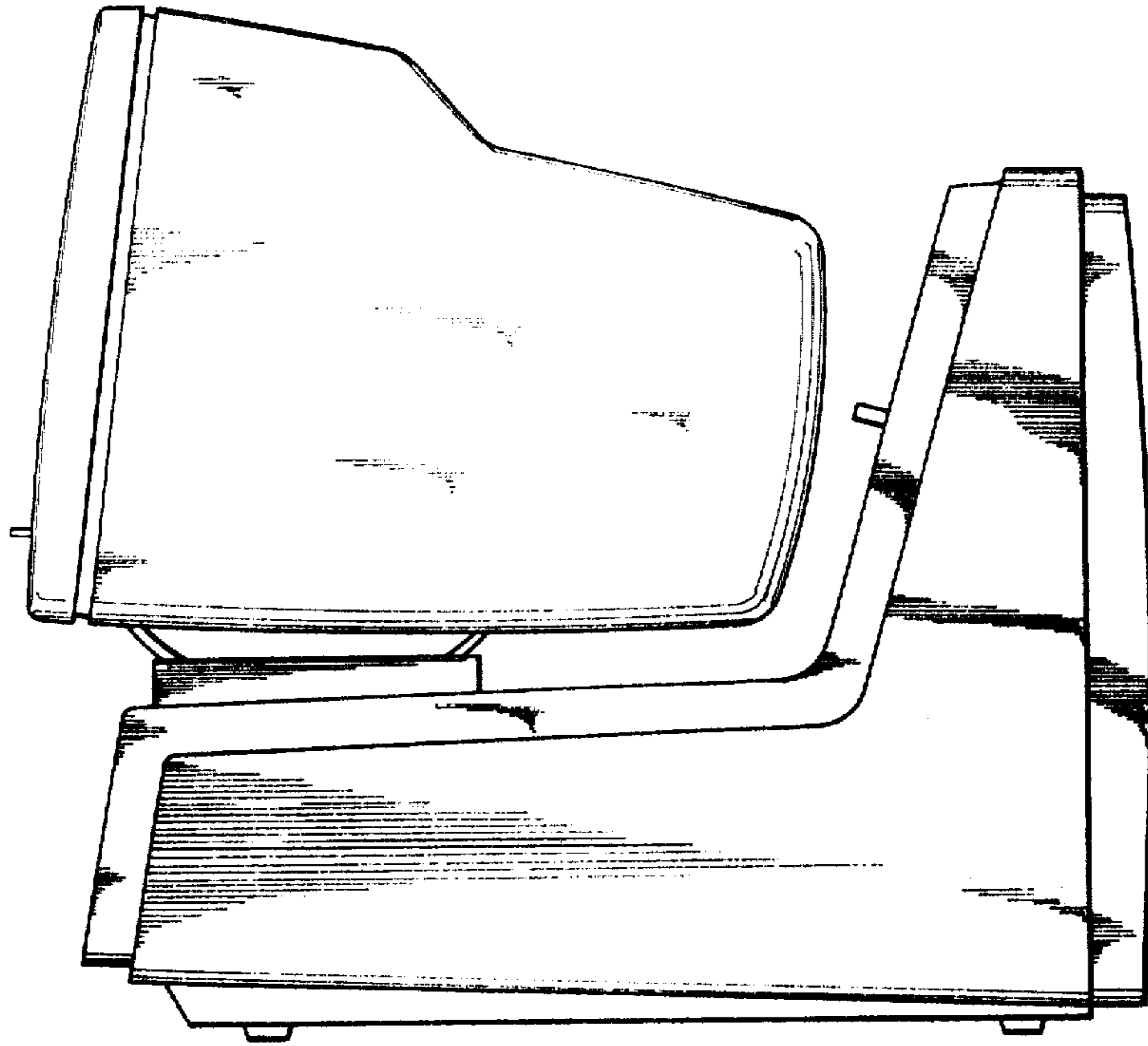


FIG. 3

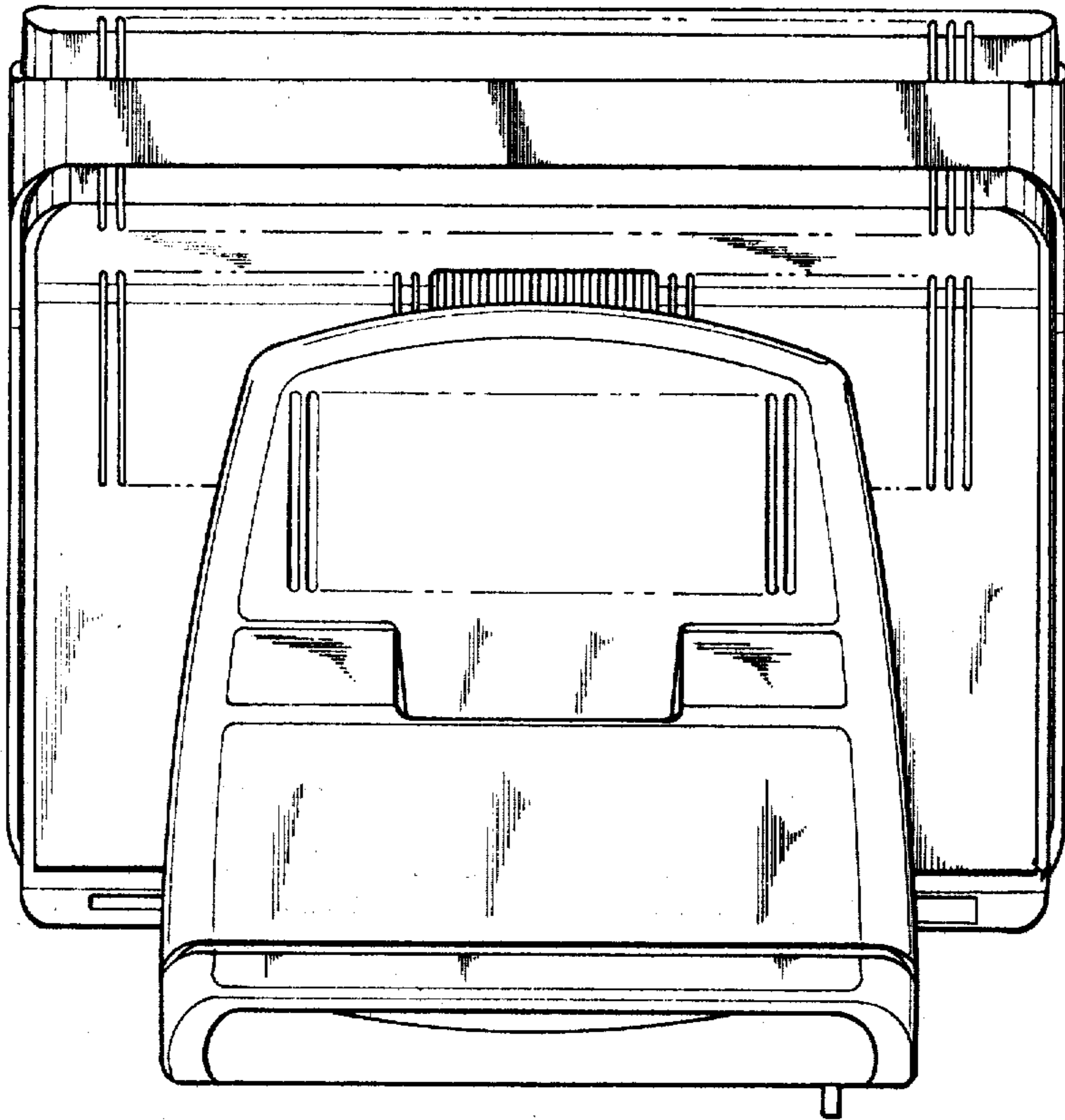


FIG. 4

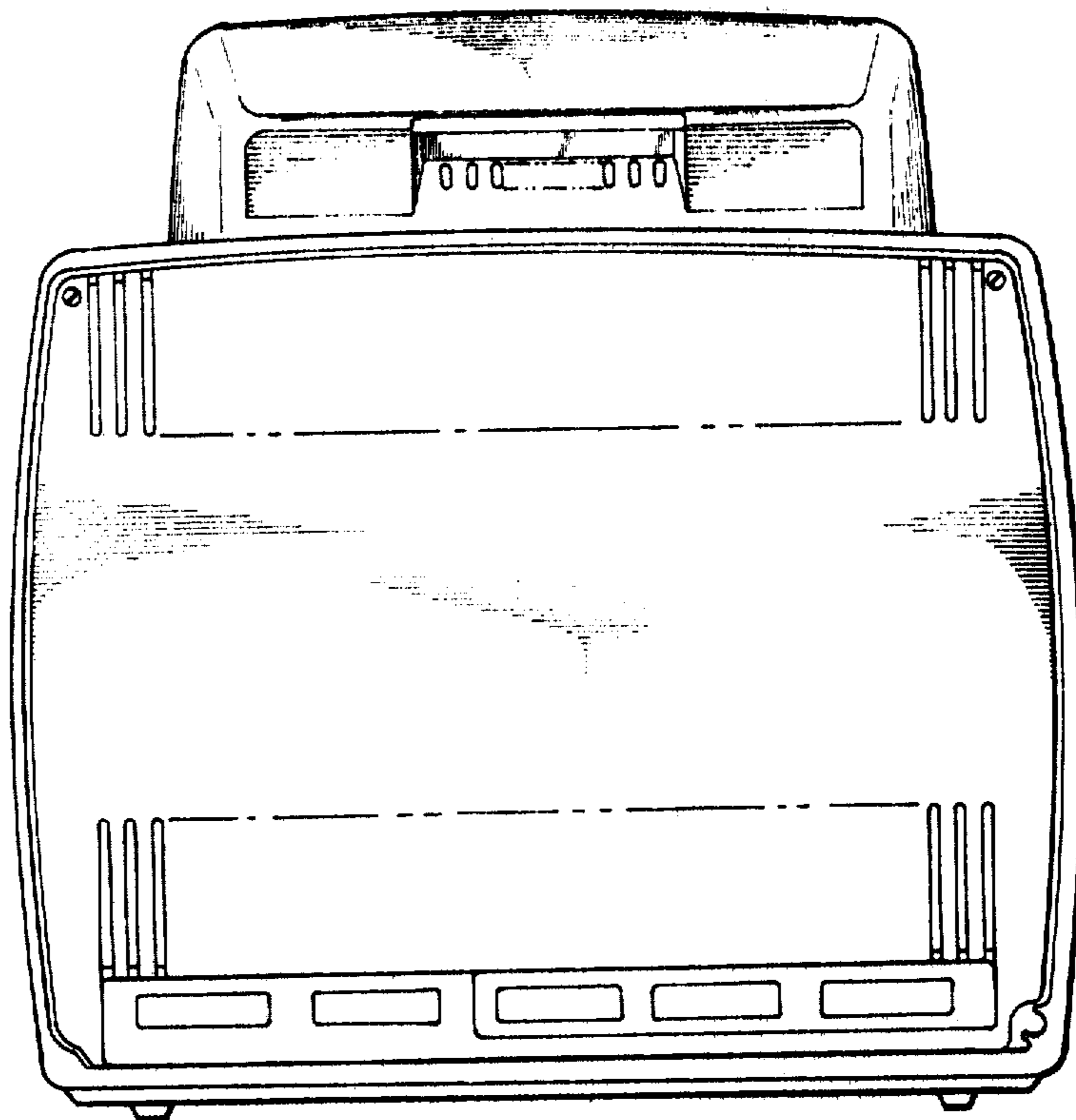


FIG. 5