

[54] RADIO PAGER OR SIMILAR ARTICLE

[75] Inventors: William J. Scheid; Richard D. Lipinski, both of Coral Springs; Giovanni Jaramillo, Plantation, all of Fla.

[73] Assignee: Motorola, Inc., Schaumburg, Ill.

[**] Term: 14 Years

[21] Appl. No.: 306,579

[22] Filed: Sep. 28, 1981

[51] Int. Cl. D14-03

[52] U.S. Cl. D14/68; D14/70; D14/95

[58] Field of Search D14/1, 5, 6, 68, 70, D14/73, 75, 76, 95, 99; D10/15, 116

[56] References Cited

U.S. PATENT DOCUMENTS

D. 255,551	6/1980	Hirota	D10/15
D. 263,139	2/1982	Petrie	D14/5
D. 264,944	6/1982	Palmer	D10/15
D. 266,228	9/1982	Inora	D10/15

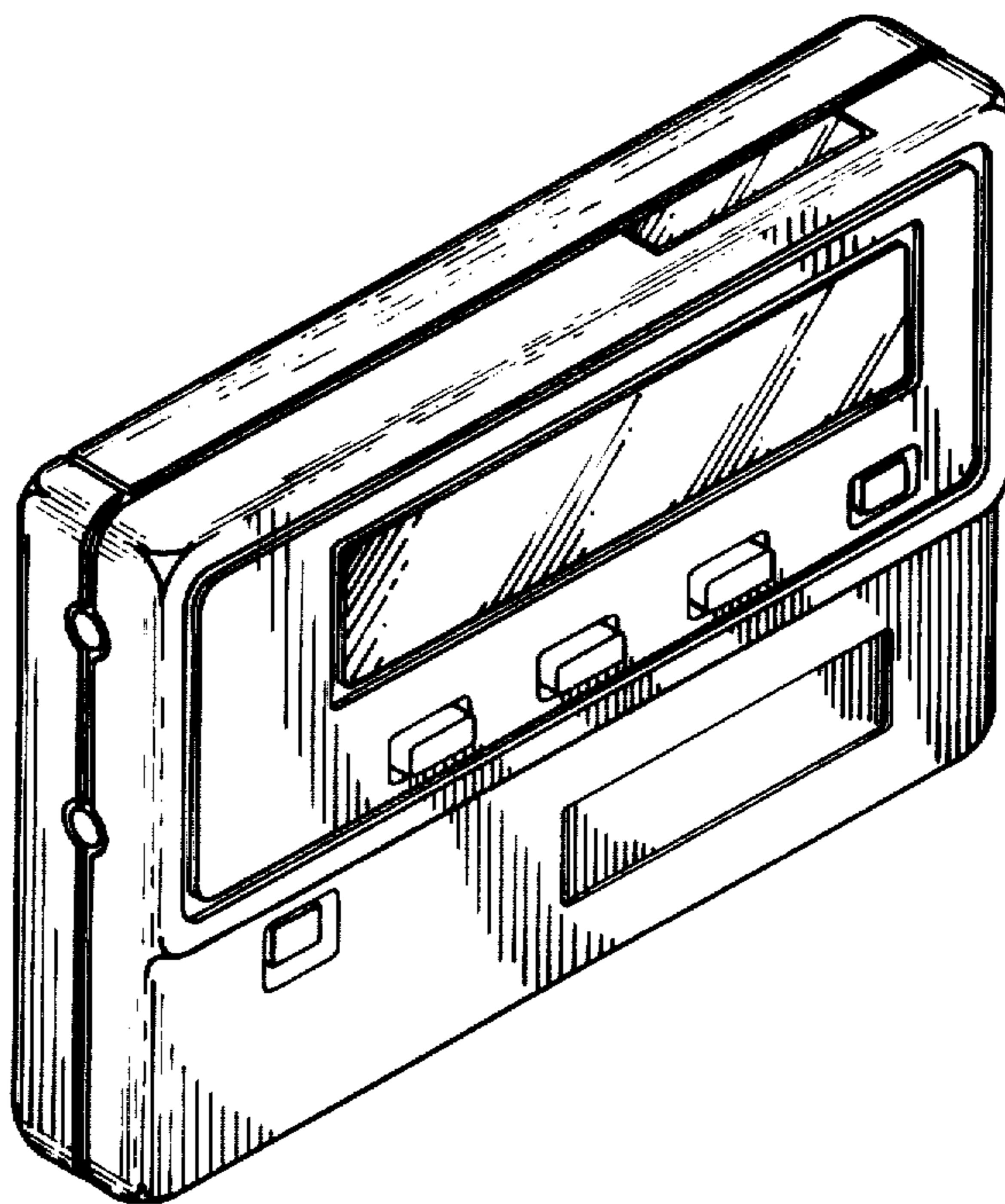
Primary Examiner—Jane E. Corrigan
Attorney, Agent, or Firm—James W. Gillman; Edward M. Roney; Donald B. Southard

[57] CLAIM

The ornamental design for a radio pager or similar article, substantially as shown and described.

DESCRIPTION

FIG. 1 is a front, top and left side perspective view of a radio pager or similar article, showing our new design; FIG. 2 is a right side elevational view thereof; FIG. 3 is a rear elevational view thereof; and, FIG. 4 is a bottom plan view thereof.



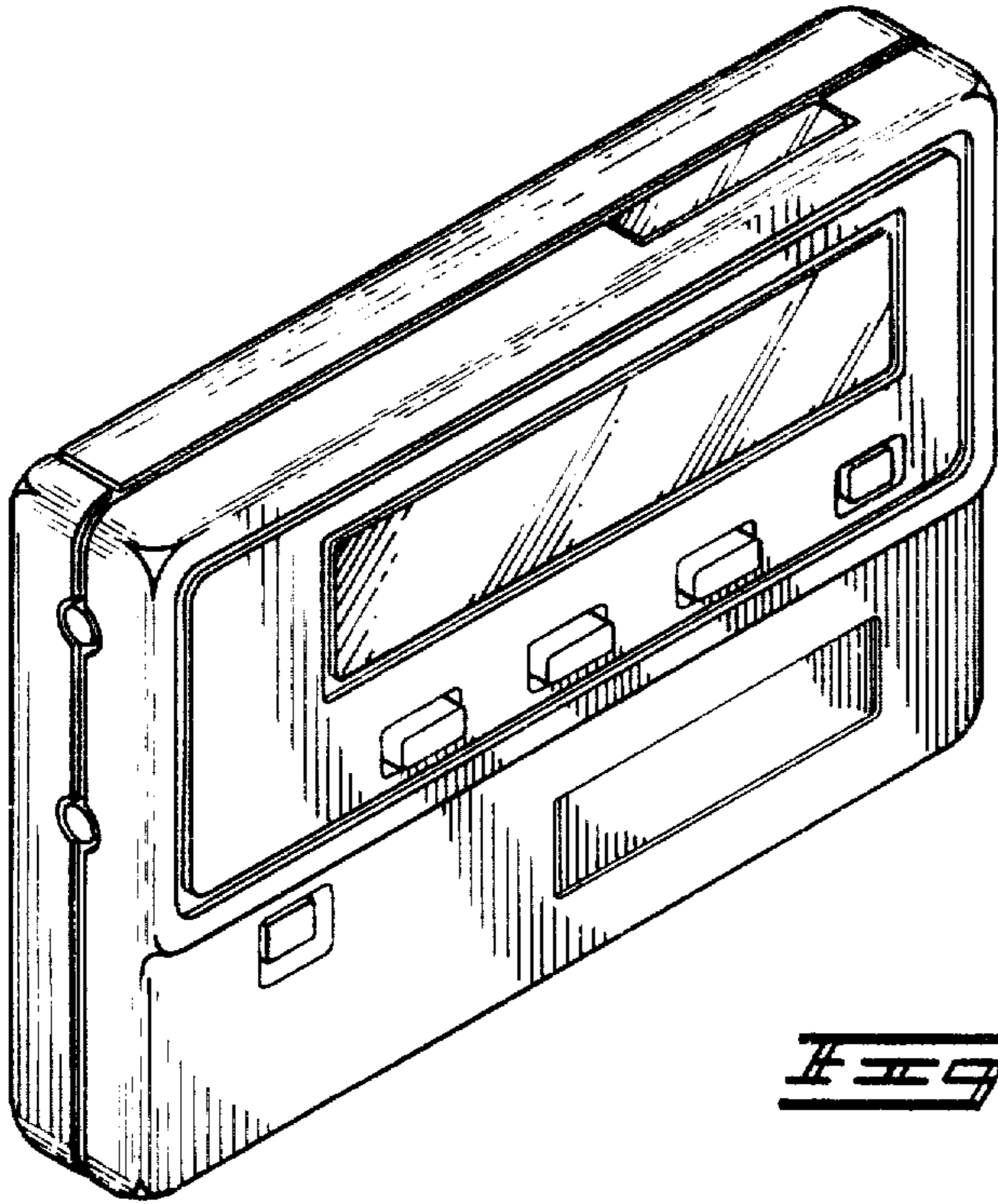


Fig. 1

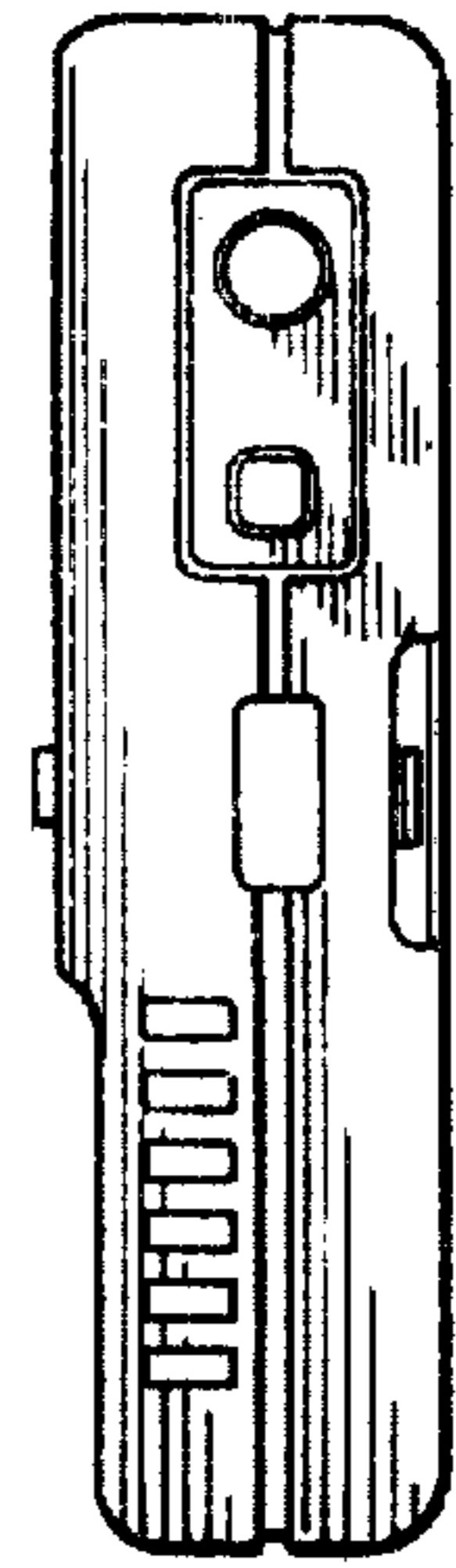


Fig. 2

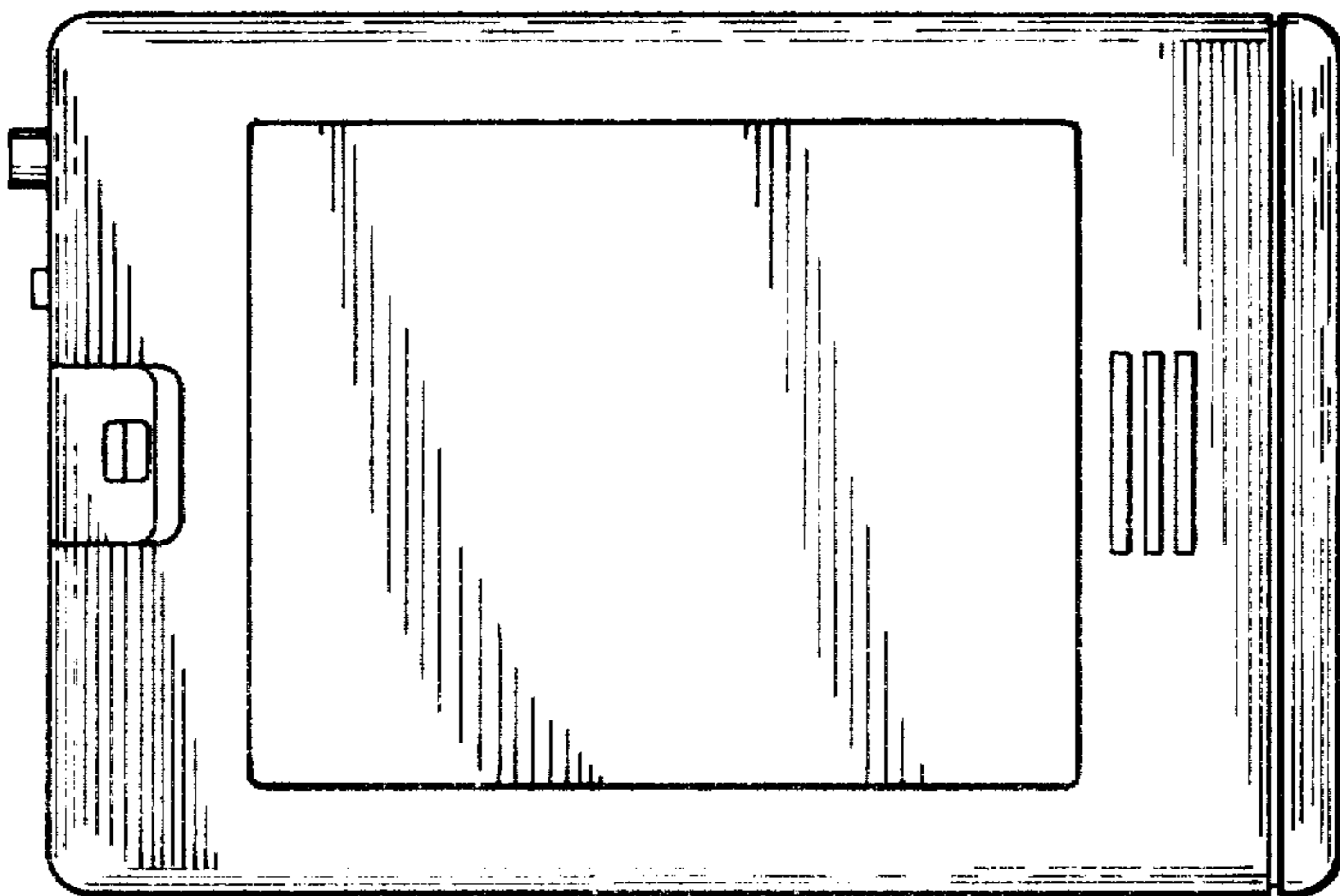


Fig. 3

Fig. 4

