

[54] **GRILLE FOR MOUNTING ONTO THE LICENSE PLATE HOLDER IN THE FRONT BUMPER OF AN AUTOMOBILE**

[76] Inventor: **Marlin C. Berg**, 6515 Tamerlane, West Bloomfield, Mich. 48033

[**] Term: **14 Years**

[21] Appl. No.: **304,831**

[22] Filed: **Sep. 23, 1981**

[51] Int. Cl. **D12-16**

[52] U.S. Cl. **D12/163; D12/193**

[58] Field of Search **D12/163, 166, 171, 193; 40/200; 180/68 P**

[56] **References Cited**

U.S. PATENT DOCUMENTS

- D. 53,714 8/1919 Kerr D12/166
- D. 177,281 3/1956 Schwartz D12/193
- D. 186,430 10/1959 Yoder D12/193

OTHER PUBLICATIONS

J. C. Whitney Catalog No. 392 B, ©1979, p. 71, Tubu-

lar Aluminum Grille Kit, second box down from top left side of page.

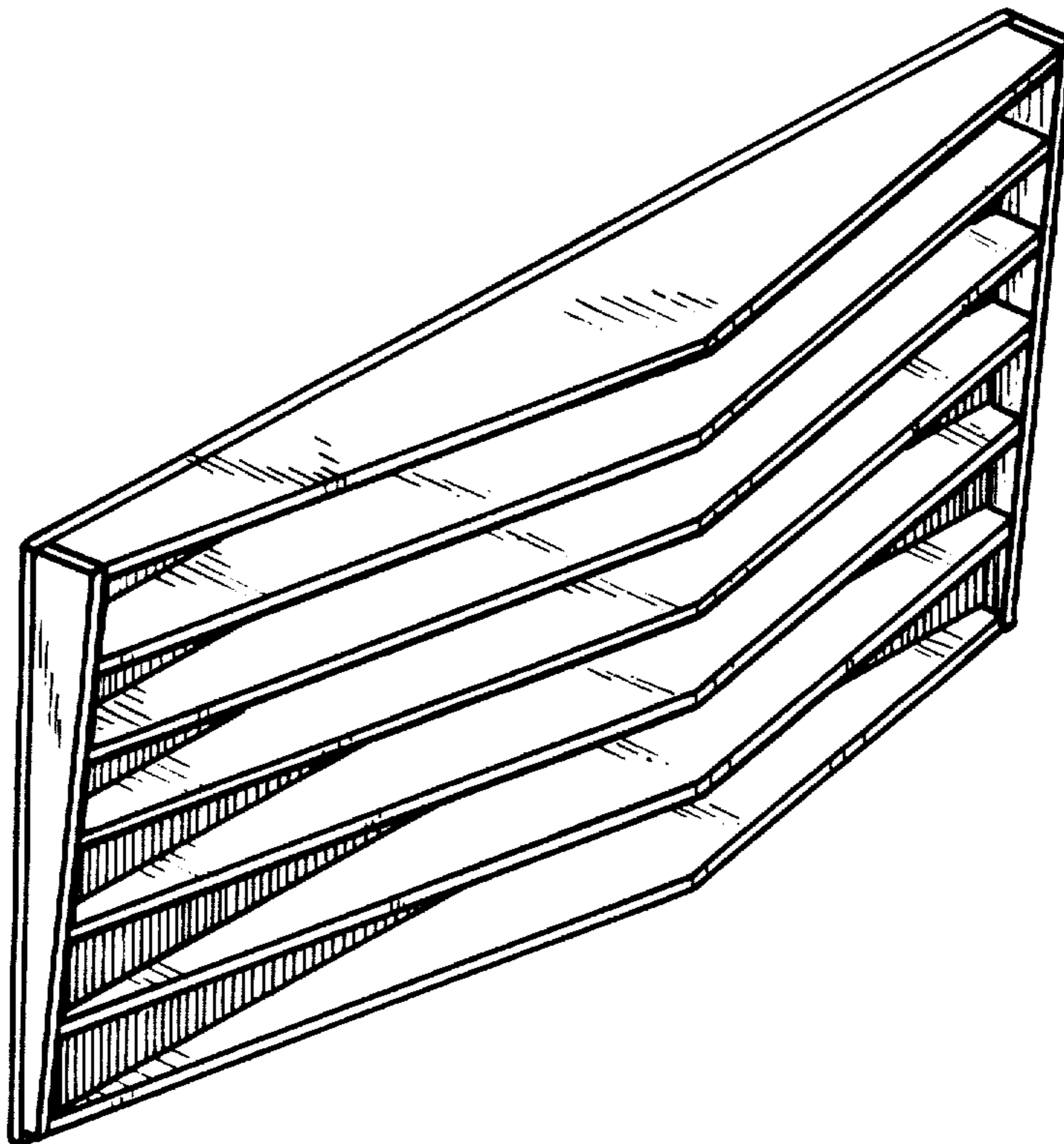
Primary Examiner—James M. Gandy
Attorney, Agent, or Firm—Basile, Weintraub & Hanlon

[57] **CLAIM**

The ornamental design for a grille for mounting onto the license plate holder in the front bumper of an automobile, as shown and described.

DESCRIPTION

FIG. 1 is a perspective view of a grille for mounting onto the license plate holder in the front bumper of an automobile showing my new design; FIG. 2 is a rear elevational view thereof; FIG. 3 is a top plan view thereof; FIG. 4 is a side elevational view thereof; and FIG. 5 is a front perspective view of a grille for mounting onto the license plate holder in the front bumper of an automobile showing a second embodiment of my new design, it being understood that the rear is substantially flat and unornamented.



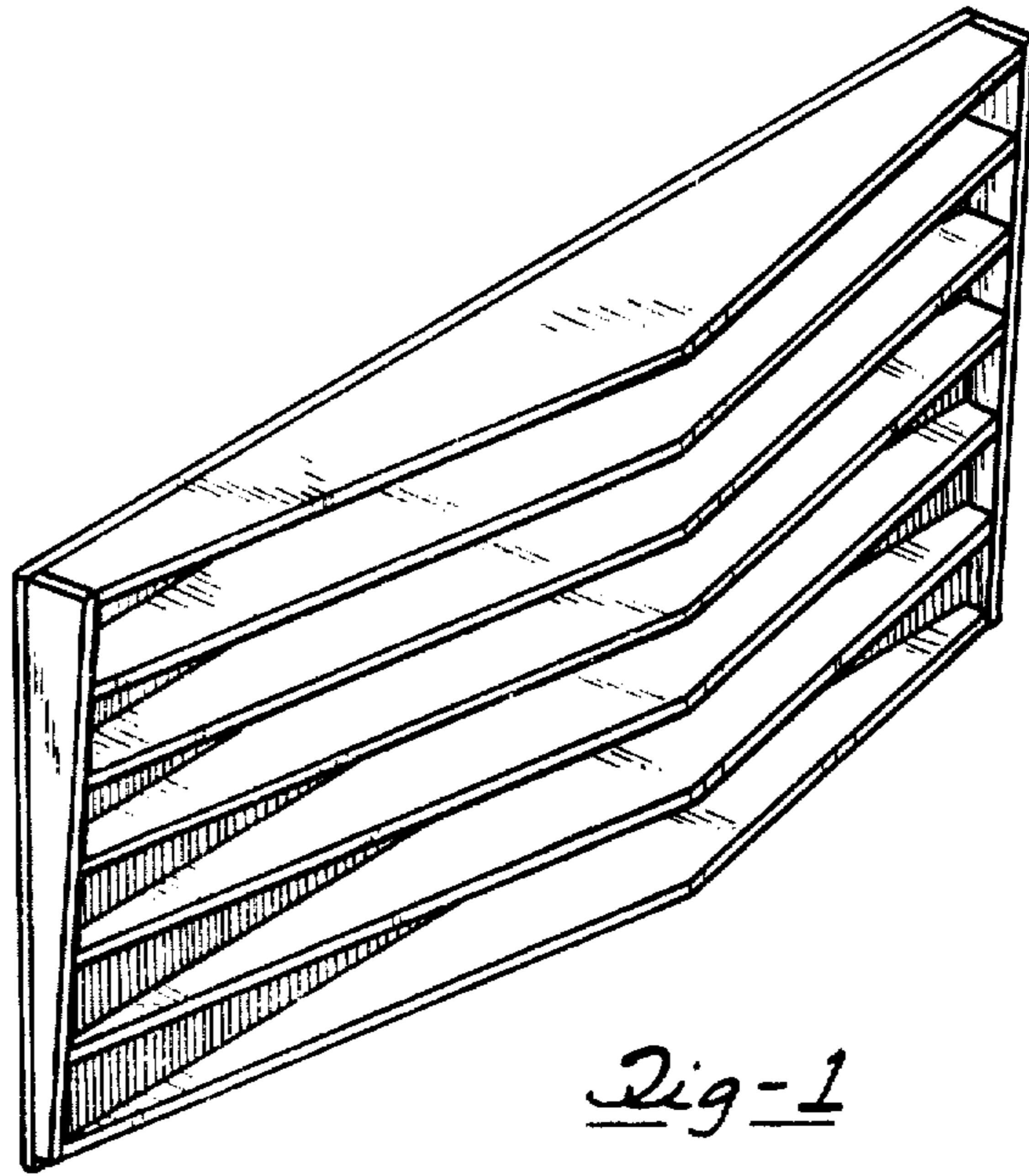


Fig-1

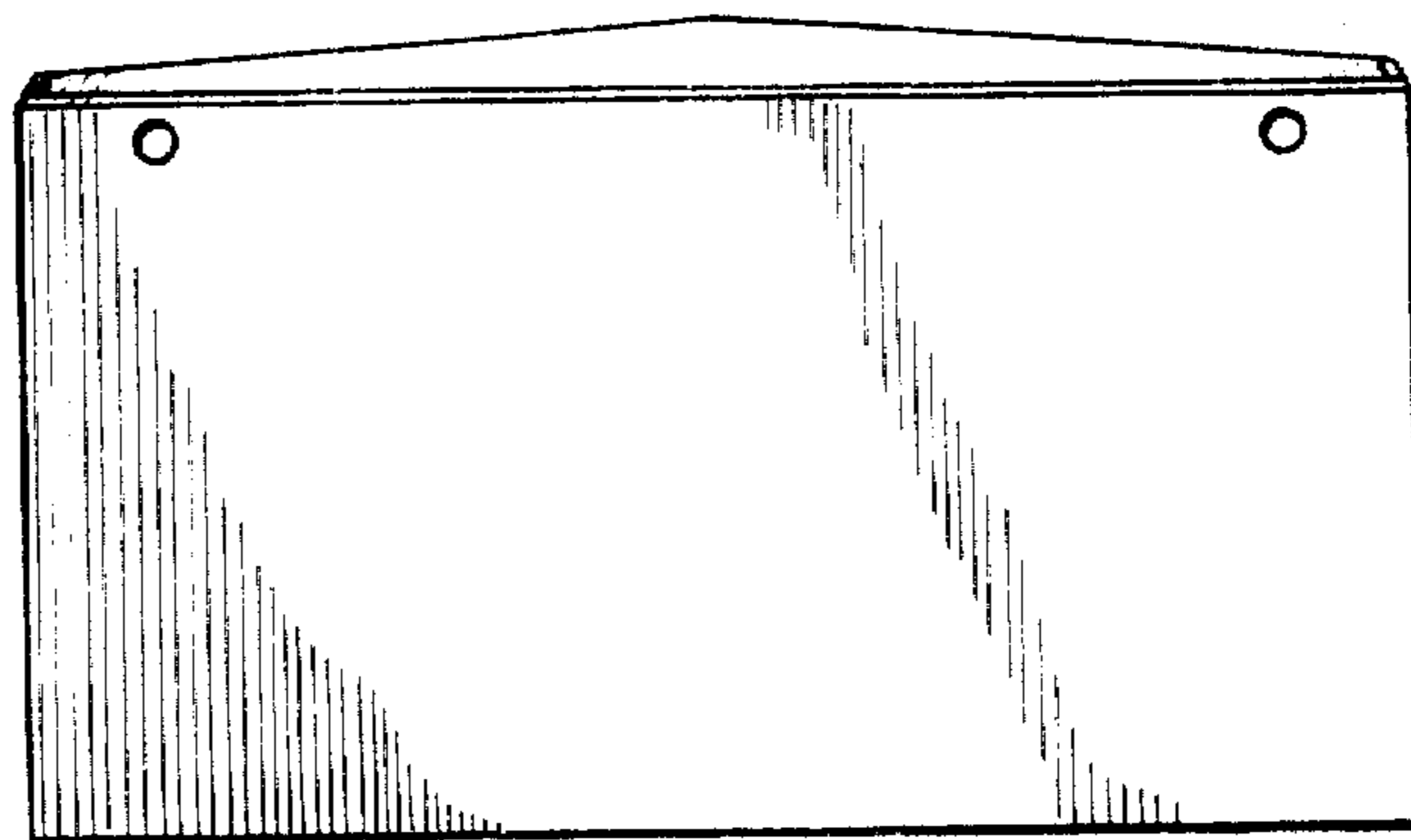


Fig-2

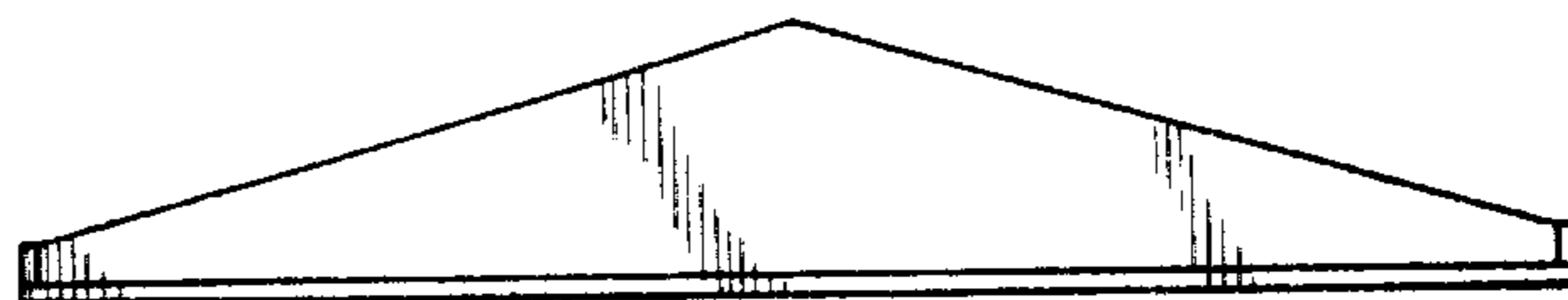


Fig-3

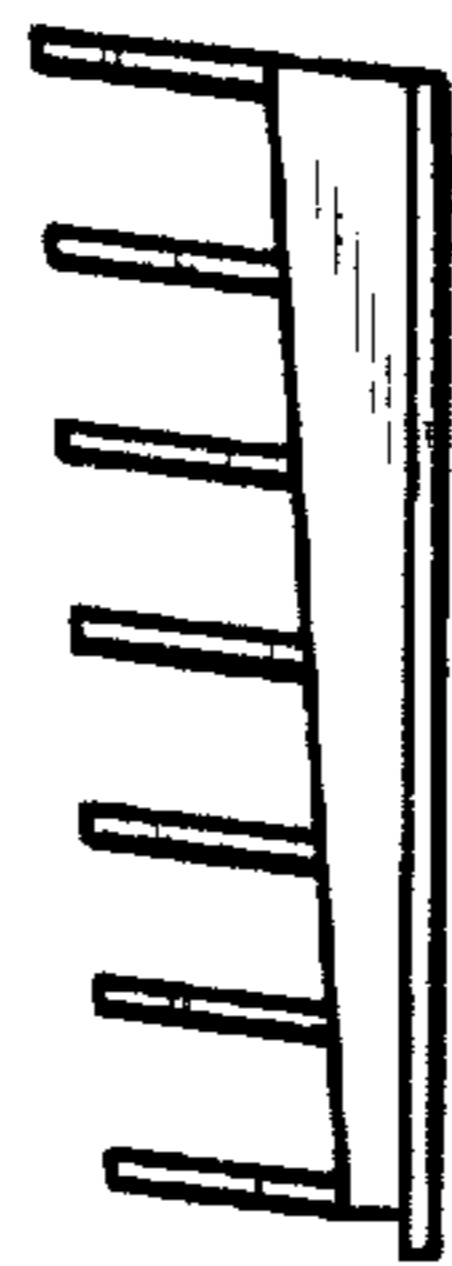


Fig-4

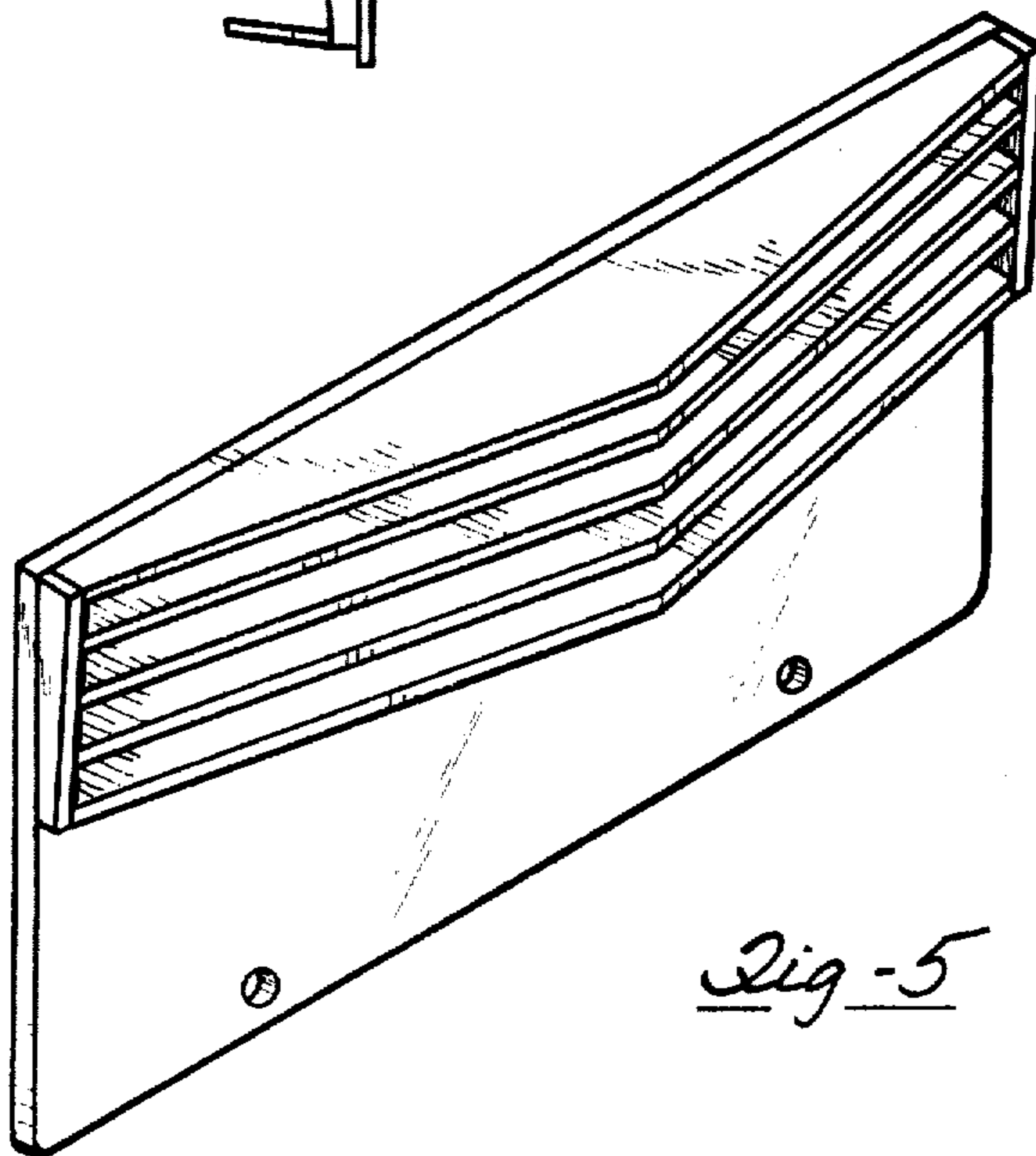


Fig-5