

- [54] INTRUDER ALARM FOR DOORS,  
WINDOWS AND THE LIKE
- [76] Inventor: David Preciado, 121 Lupe Ave.,  
Newbury Park, Calif. 91320
- [\*\*] Term: 14 Years
- [21] Appl. No.: 320,412
- [22] Filed: Nov. 12, 1981
- [51] Int. Cl. .... D10-05
- [52] U.S. Cl. .... D10/106
- [58] Field of Search ..... D10/104, 106, 121;  
340/693, 550, 545, 546, 549, 548, 568, 671, 675

[56] **References Cited**

**U.S. PATENT DOCUMENTS**

|           |        |               |         |
|-----------|--------|---------------|---------|
| 920,123   | 5/1909 | Fawcett ..... | 340/550 |
| 1,374,684 | 5/1912 | Rieck .....   | 340/549 |
| 3,567,882 | 3/1971 | Beck .....    | 340/545 |
| 3,932,856 | 1/1976 | Tremont ..... | 340/546 |
| 3,968,484 | 7/1976 | Weber .....   | 340/545 |
| 4,376,276 | 3/1983 | Barta .....   | 340/693 |

**OTHER PUBLICATIONS**

On Guard., Catalogue 727r., May 10, 1973, p. 5, All Purpose Switch, MD848B, location-lower right hand corner.

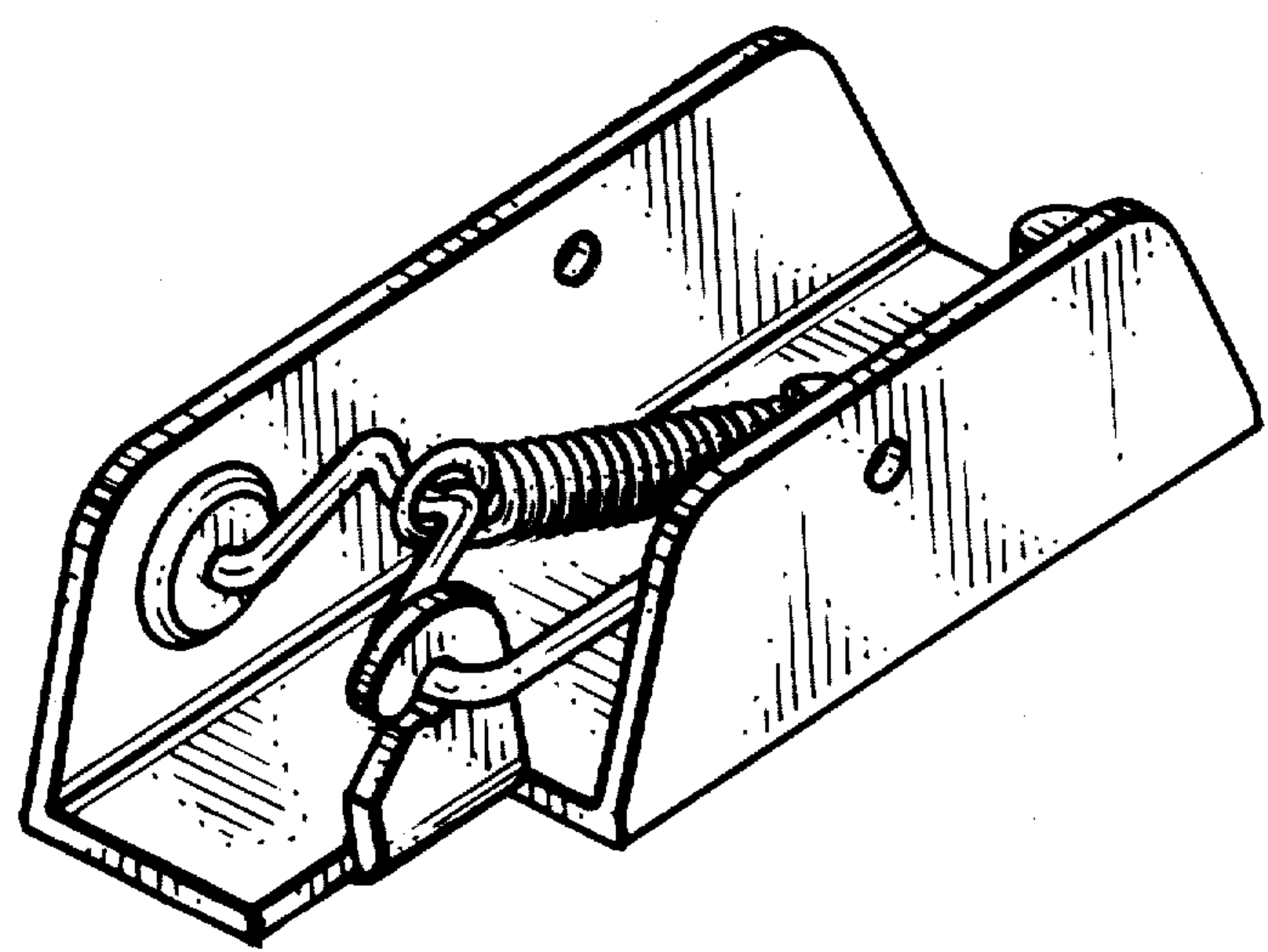
*Primary Examiner*—Wallace R. Burke  
*Assistant Examiner*—Susanne N. Gitlin  
*Attorney, Agent, or Firm*—Cislo, O'Reilly & Thomas

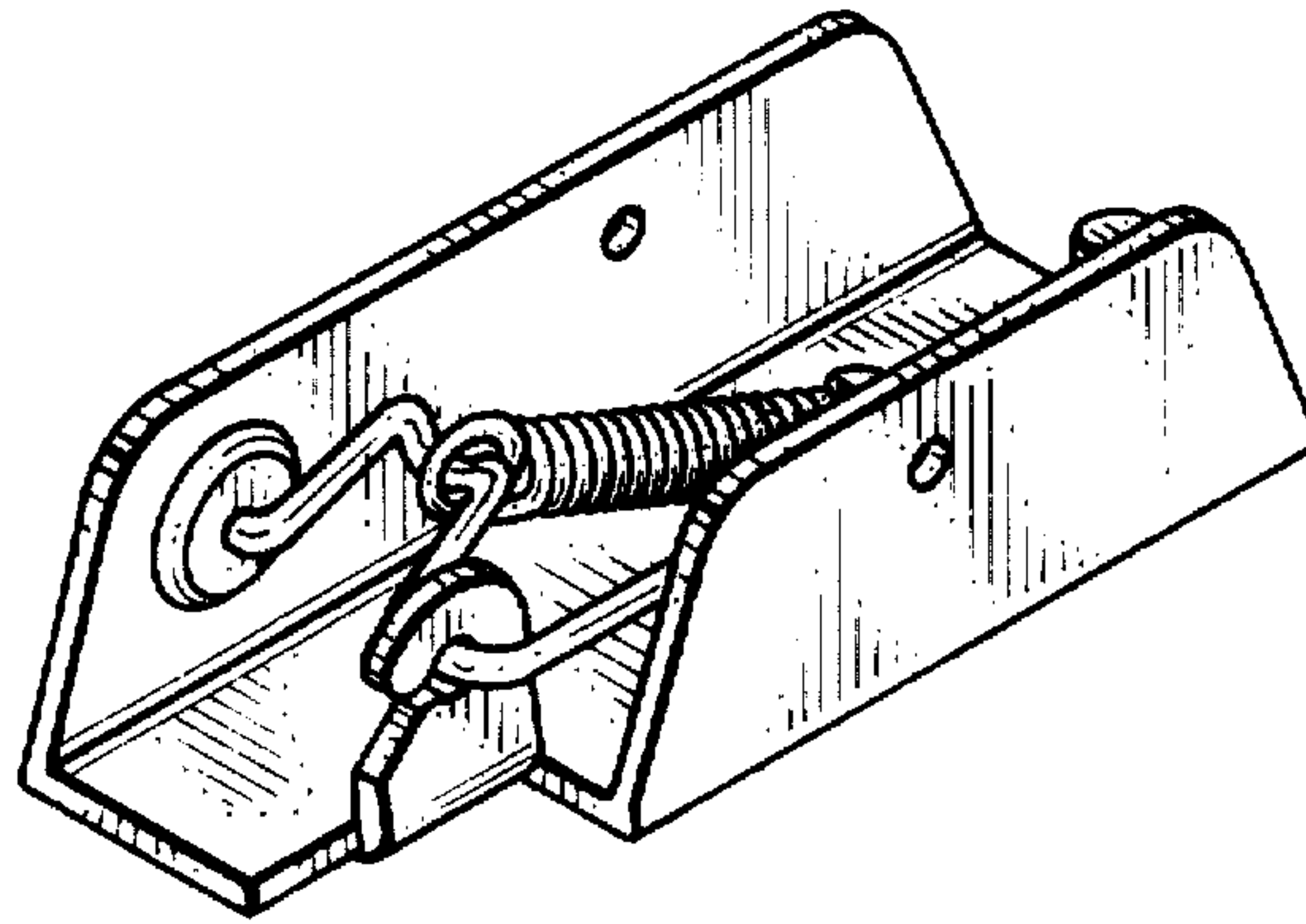
[57] **CLAIM**

The ornamental design for an intruder alarm for doors, windows and the like, as shown and described.

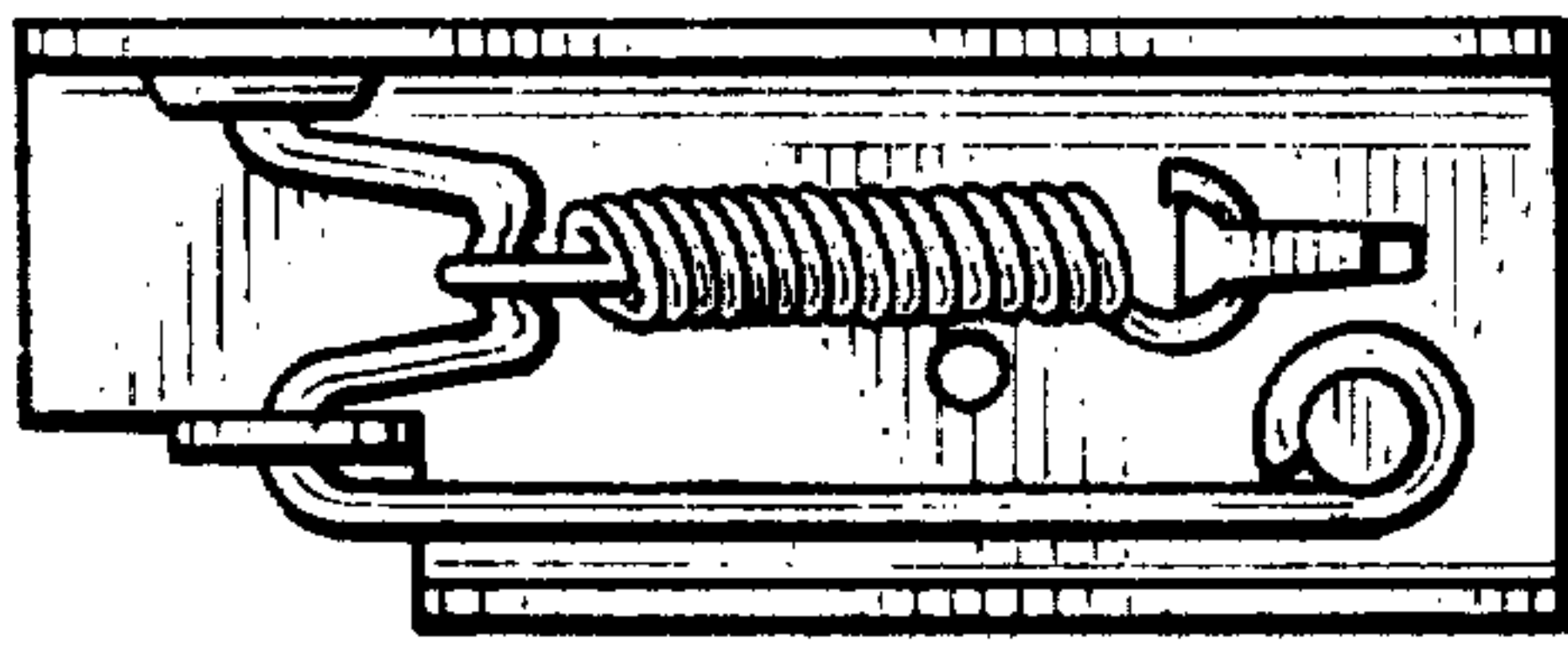
**DESCRIPTION**

FIG. 1 is a perspective view of the intruder alarm, for doors, windows and the like showing my new design; FIG. 2 is a front elevational view thereof; FIG. 3 is a right side elevational view thereof; FIG. 4 is a left side elevational view thereof; FIG. 5 is a top plan view thereof; FIG. 6 is a bottom plan view; and FIG. 7 is a rear elevational view thereof.

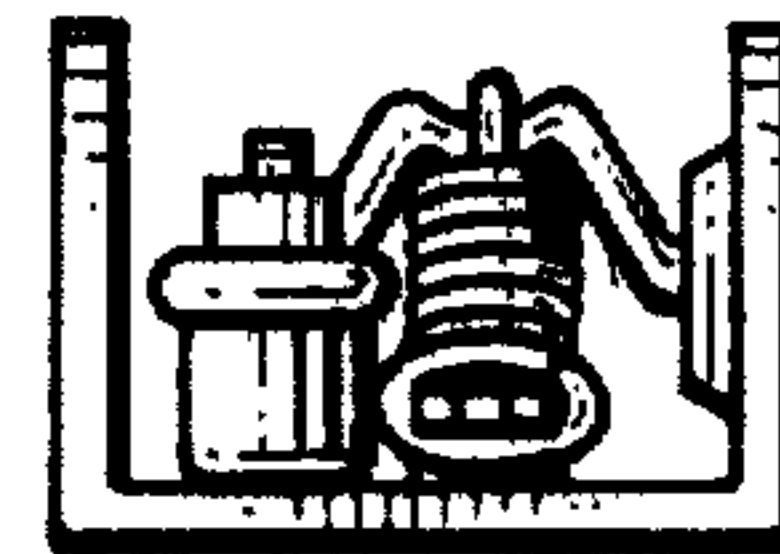




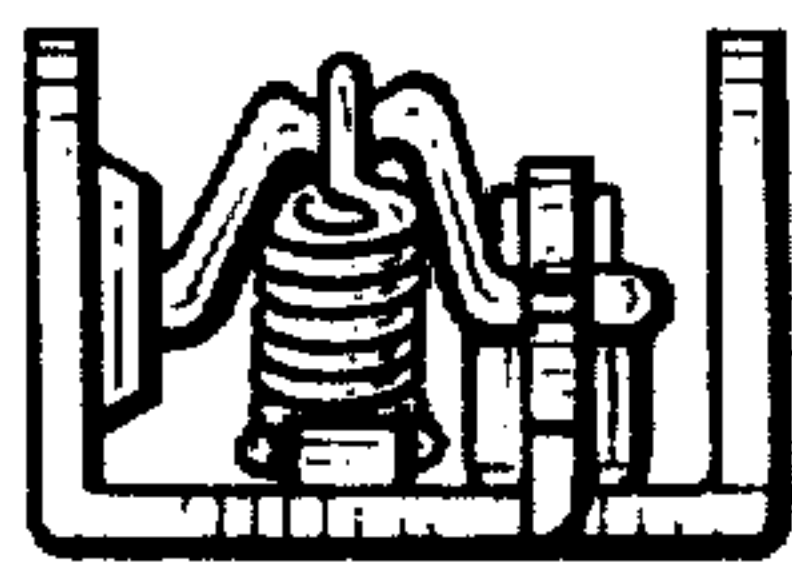
*Fig. 1.*



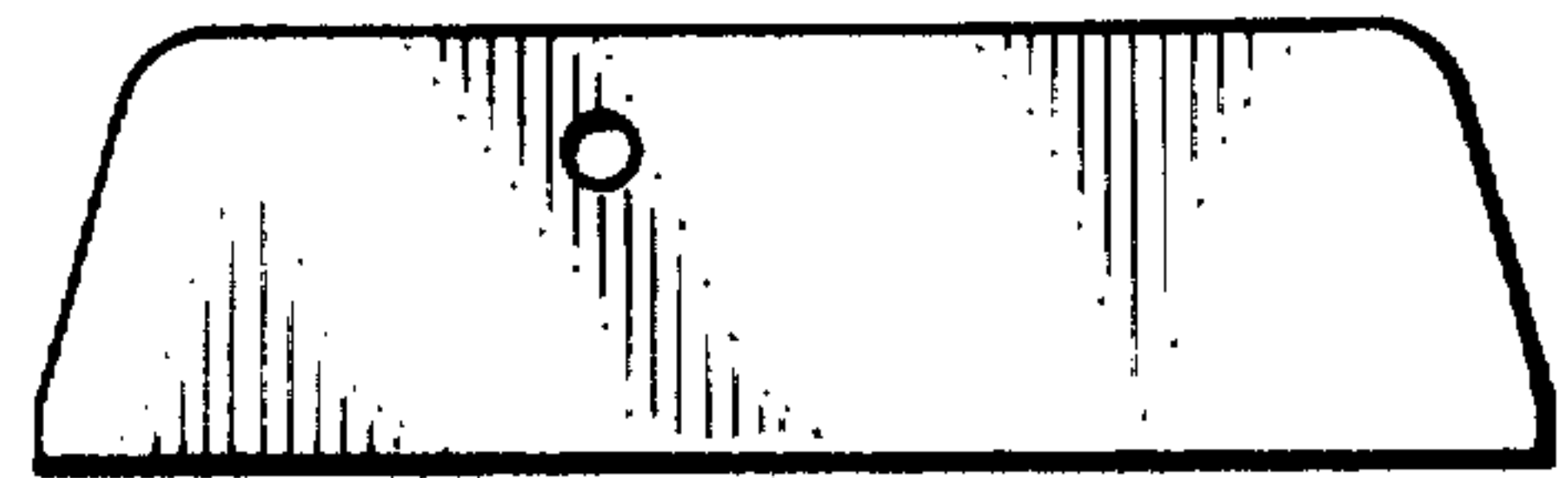
*Fig. 2.*



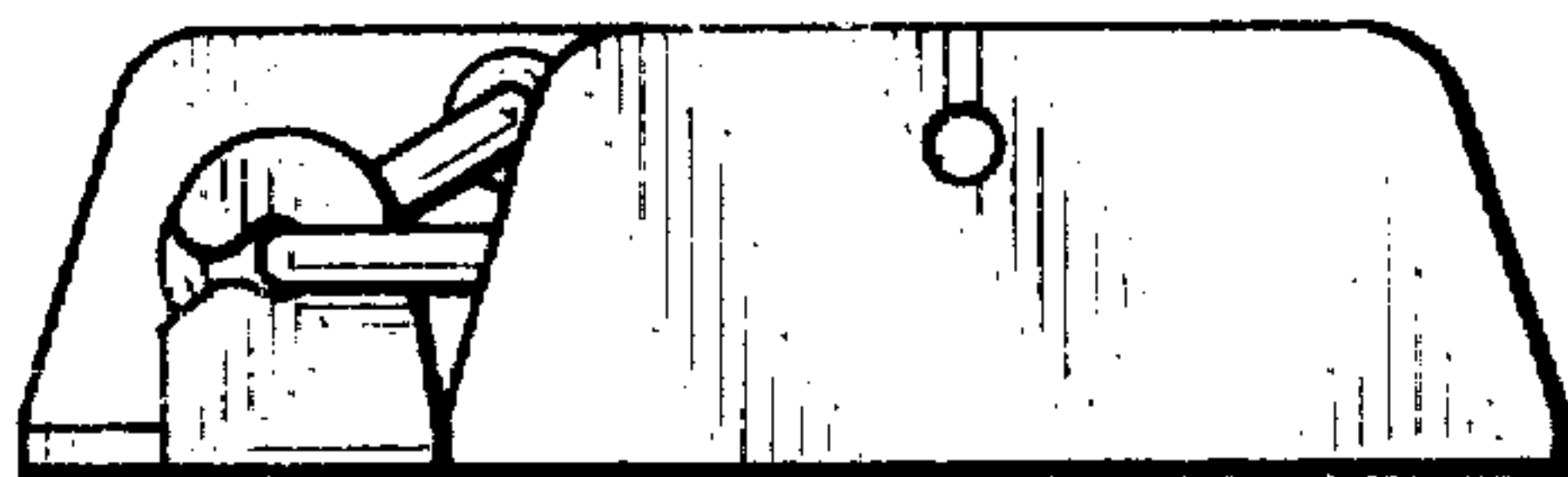
*Fig. 3.*



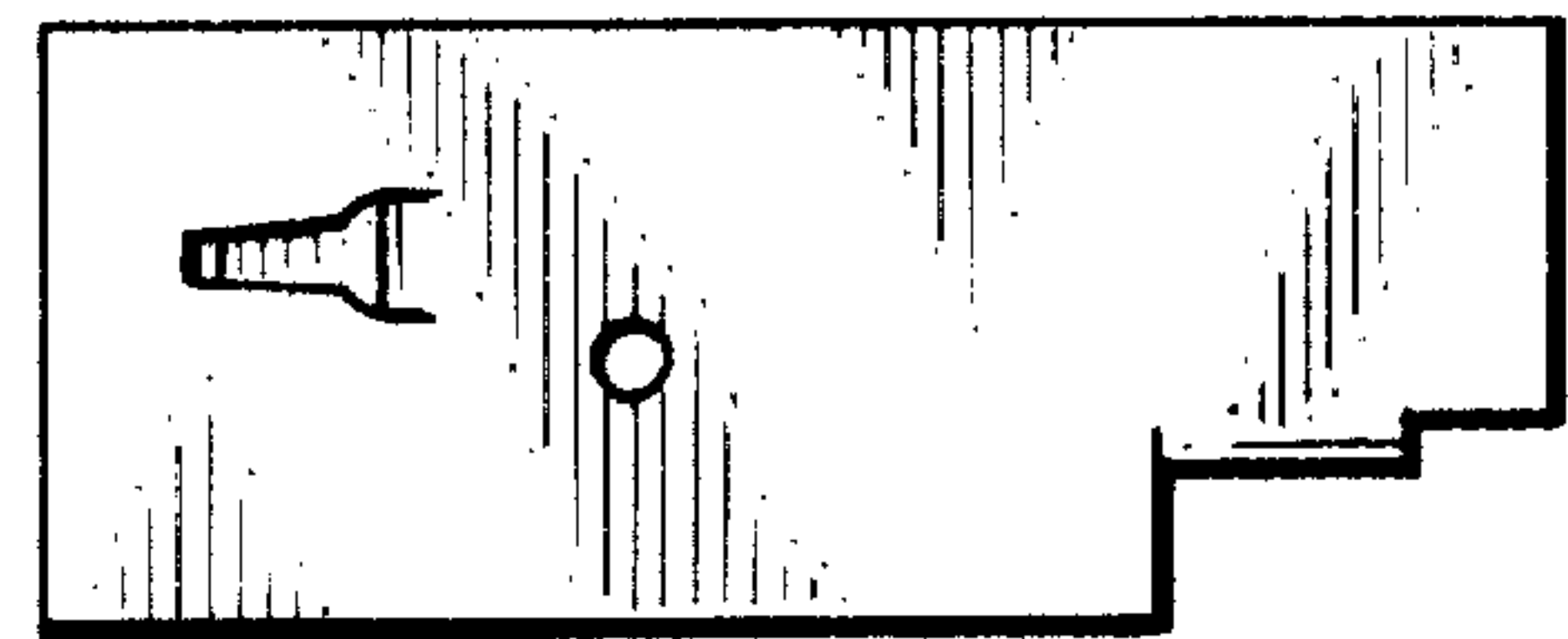
*Fig. 4.*



*Fig. 5.*



*Fig. 6.*



*Fig. 7.*