

[54] DISPENSING PUMP HEAD

3,420,413 1/1969 Corsette ..... D9/300 X

[75] Inventor: John W. McDonald, Parkville, Mo.

Primary Examiner—Robert C. Spangler

[73] Assignee: Realex Corporation, Kansas City, Mo.

Attorney, Agent, or Firm—Schmidt, Johnson, Hovey & Williams

[\*\*] Term: 14 Years

[57] CLAIM

[21] Appl. No.: 275,945

The ornamental design for a dispensing pump head, as shown and described.

[22] Filed: Jun. 22, 1981

DESCRIPTION

[51] Int. Cl. .... D9-07

FIG. 1 is a top perspective view of a dispensing pump head showing my new design;

[52] U.S. Cl. .... D9/448

FIG. 2 is another top perspective view showing the side not seen in FIG. 1;

[58] Field of Search ..... D9/300, 448; D23/17, D23/18; 220/566; 215/200, 1 R, 1 C

FIG. 3 is a bottom perspective view;

[56] References Cited

U.S. PATENT DOCUMENTS

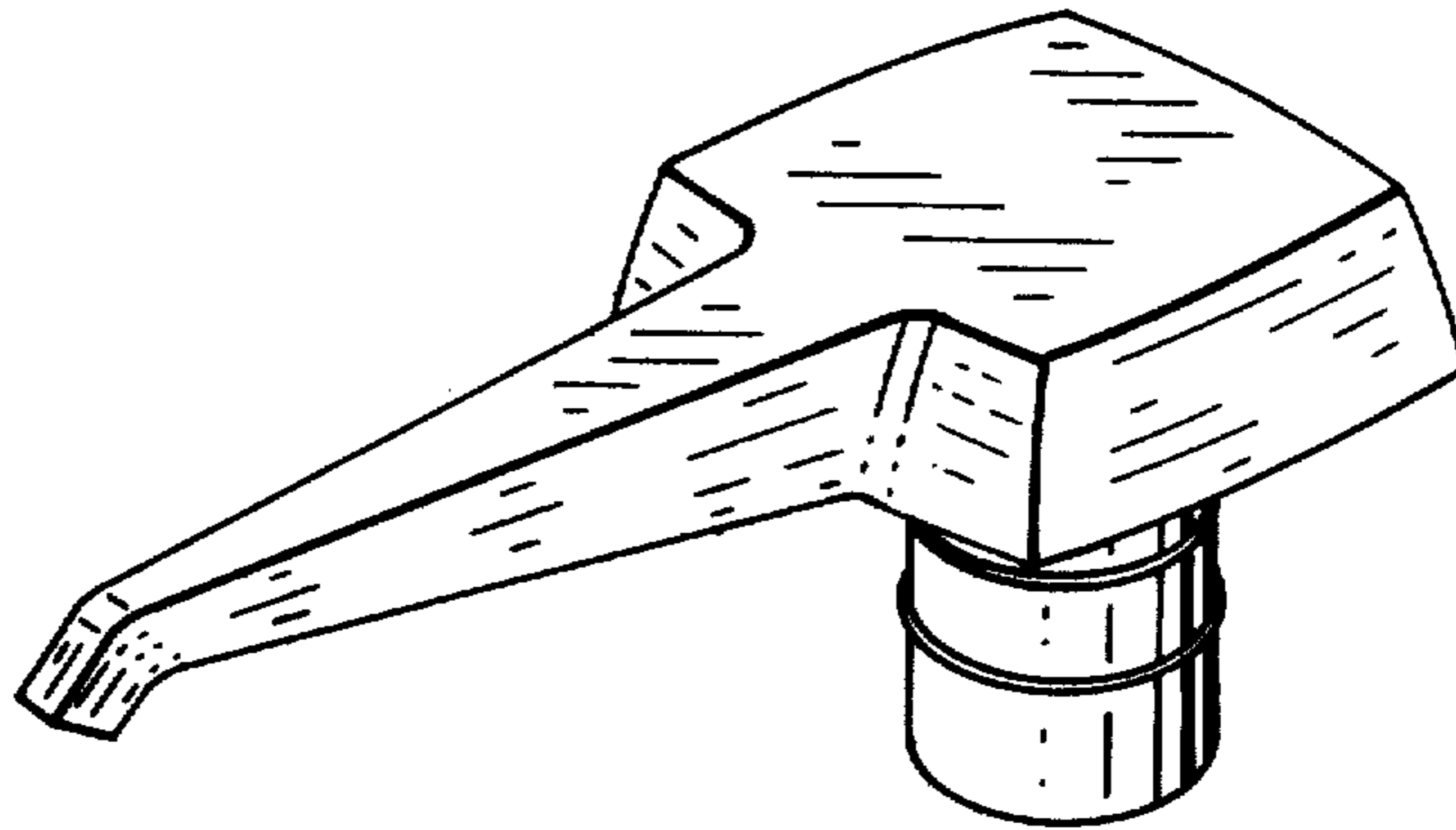
- D. 244,008 4/1977 Aeschlimann ..... D9/300
- D. 245,316 8/1977 McConnell ..... D9/300
- D. 253,398 11/1979 Niemeyer et al. .... D9/448

FIG. 4 is a side elevational view;

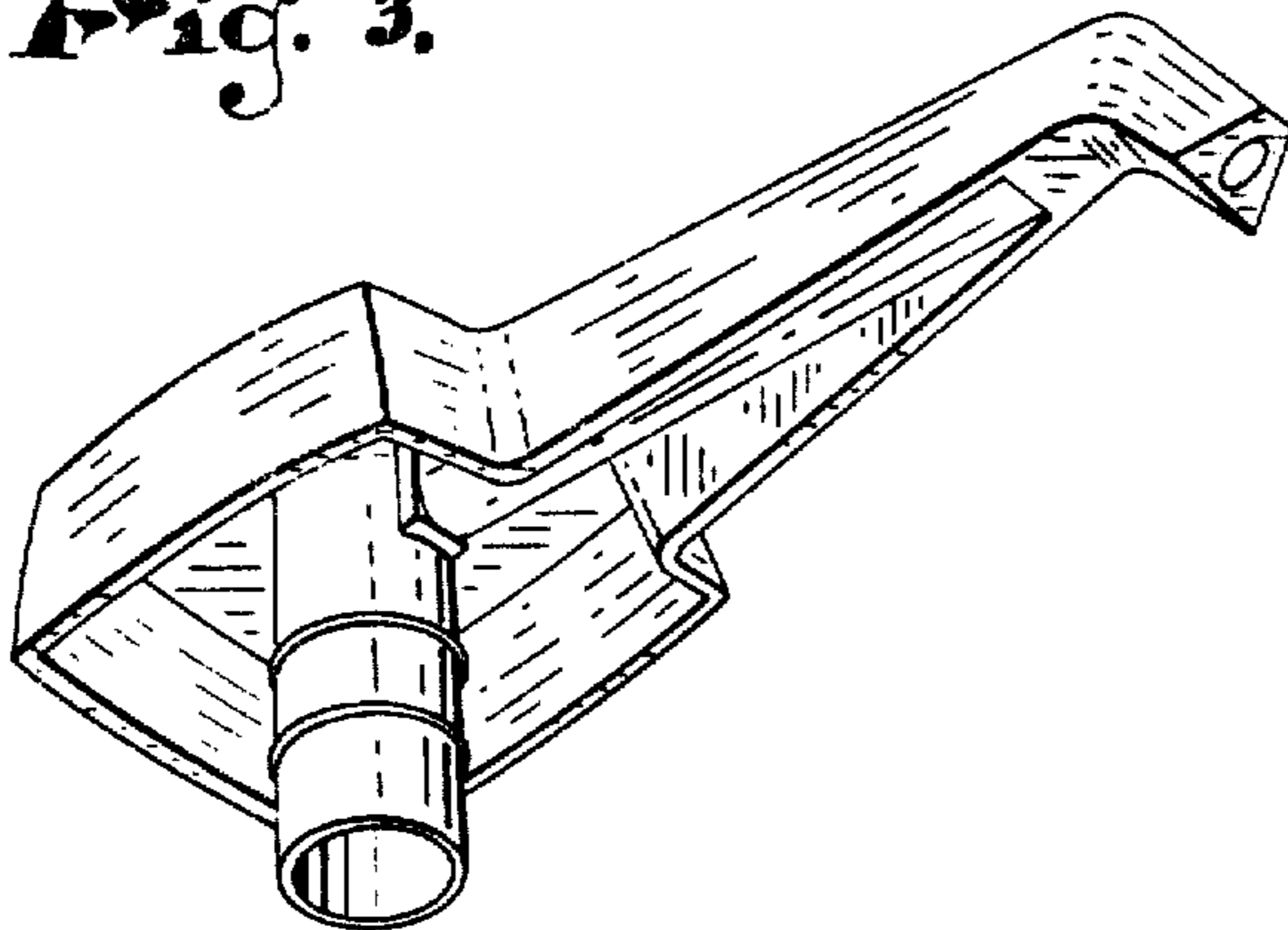
FIG. 5 is a front elevational view; and

FIG. 6 is a rear elevational view thereof.

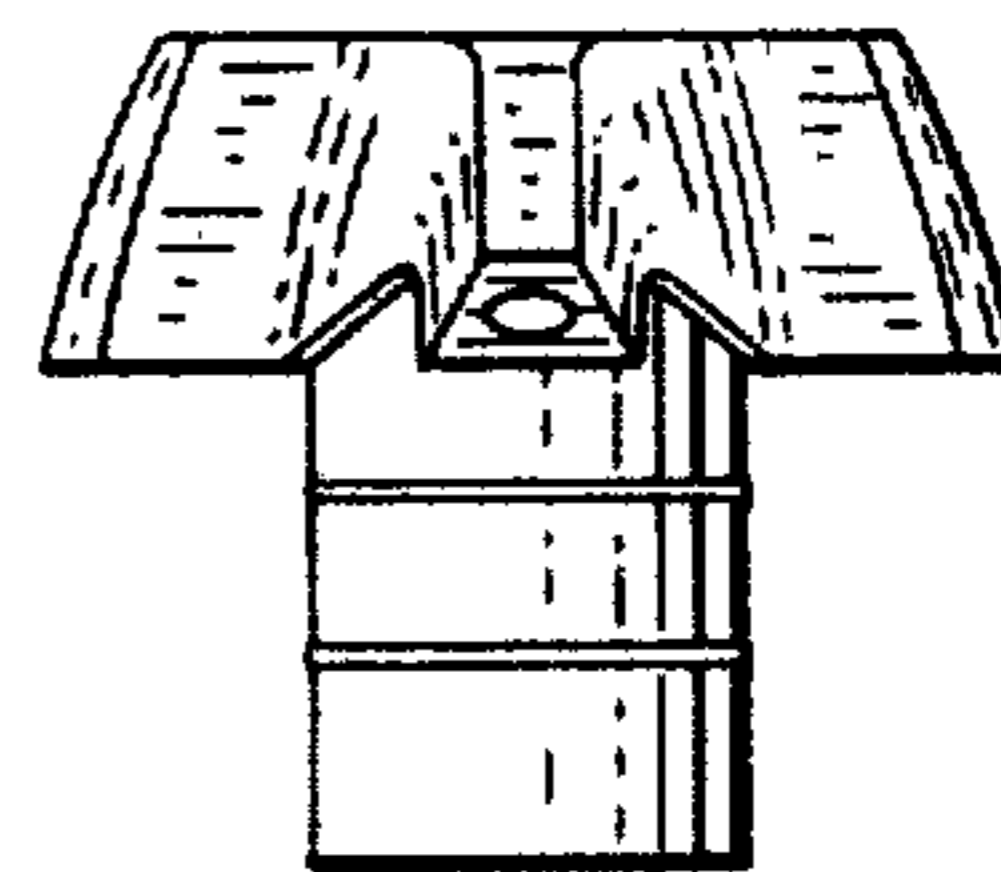
The broken lines in FIG. 4 showing a plunger, collar and closure cap are for the purpose of illustrating environmental use only.



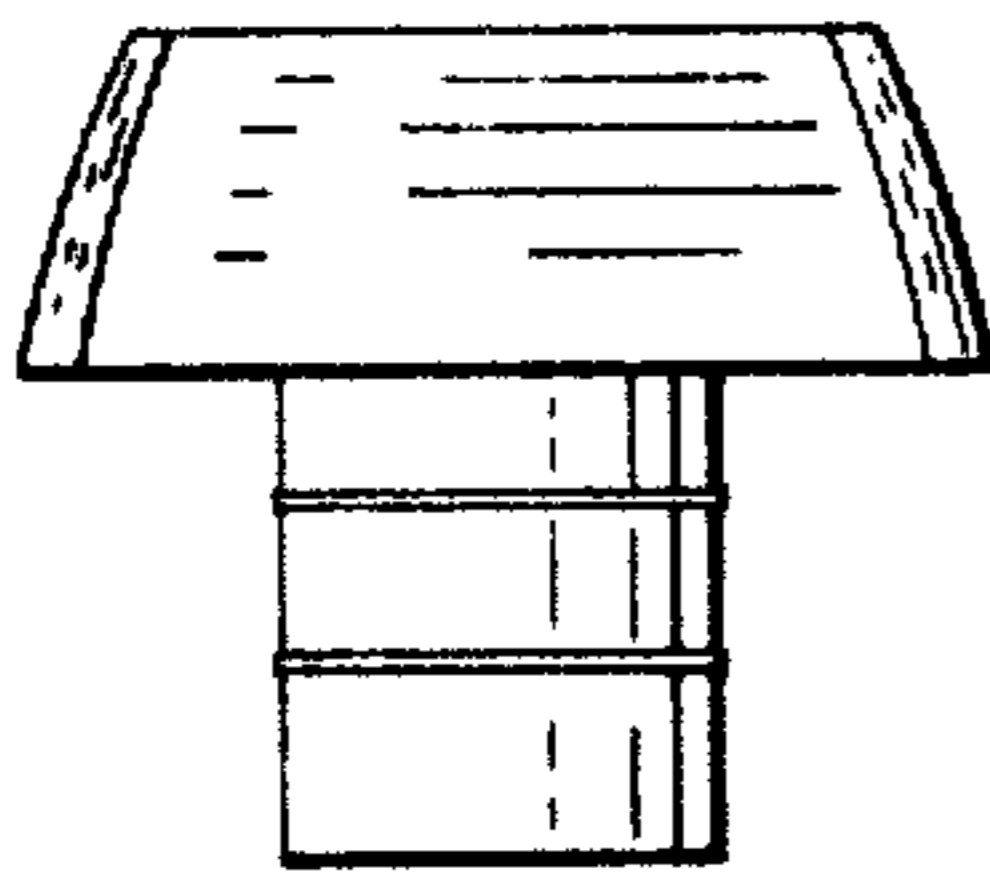
**Fig. 3.**



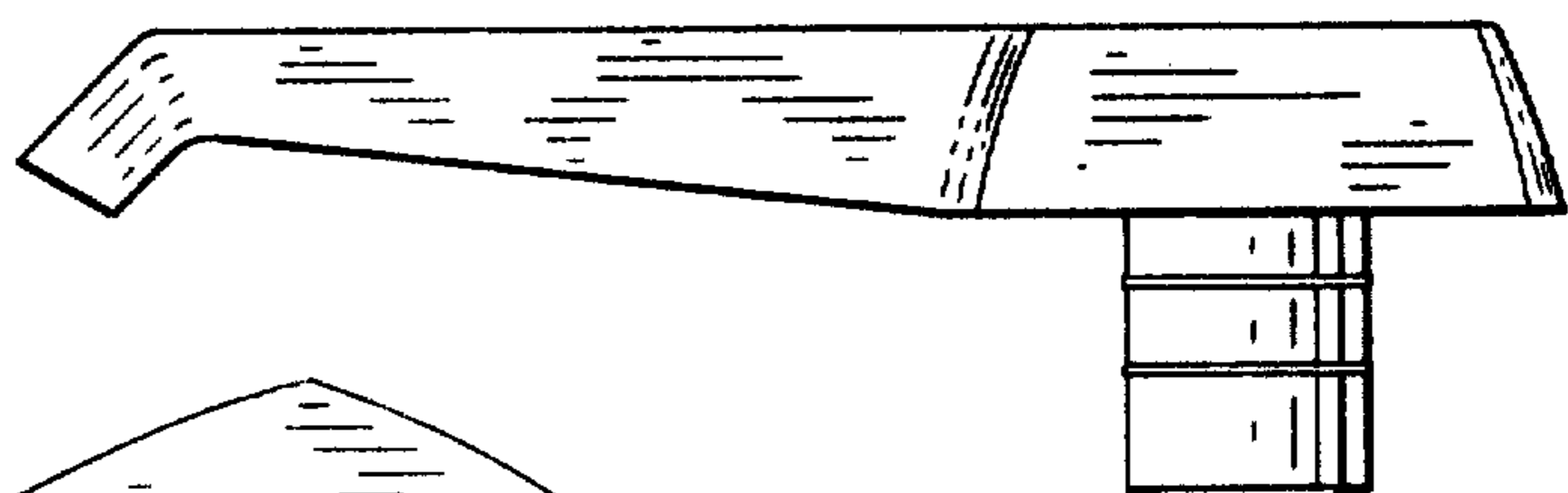
**Fig. 5.**



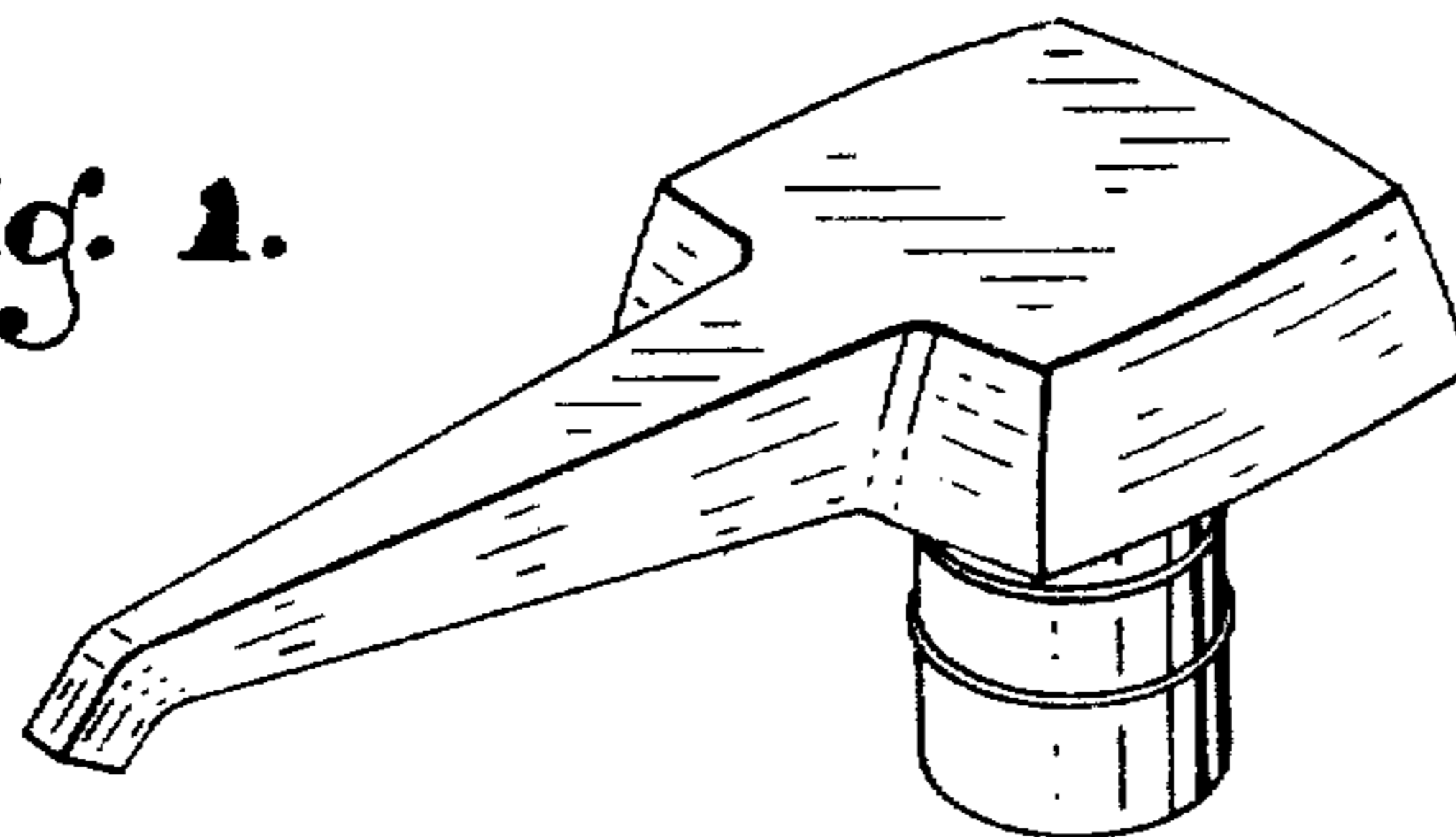
**Fig. 6.**



**Fig. 4.**



**Fig. 1.**



**Fig. 2.**

