

United States Patent [19]

Oussani

[11] Des. 272,229

[45] ** Jan. 17, 1984

[54] LETTER OPENER

[75] Inventor: James J. Oussani, Brooklyn, N.Y.

[73] Assignee: The Staplex Company, Inc.,
Brooklyn, N.Y.

[**] Term: 14 Years

[21] Appl. No.: 340,698

[22] Filed: Jan. 19, 1982

[51] Int. Cl. D18-04

[52] U.S. Cl. D8/61; D8/102

[58] Field of Search D8/61, 36, 102; 83/912;
D15/145, 146

[56] References Cited

U.S. PATENT DOCUMENTS

D. 212,062 8/1968 Davis D8/61
D. 260,133 8/1981 Power et al. D8/102
3,381,564 5/1968 Whiteford 83/912

FOREIGN PATENT DOCUMENTS

1279073 6/1972 United Kingdom 83/912

Primary Examiner—George P. Word
Attorney, Agent, or Firm—Mark T. Basseches; Paula T. Basseches

[57] CLAIM

The ornamental design for a letter opener, substantially as shown and described.

DESCRIPTION

FIG. 1 is a perspective view of a letter opener showing my new design;
FIG. 2 is a left side elevational view thereof;
FIG. 3 is a top plan view taken along the lines 3—3 of FIG. 2;
FIG. 4 is a front elevational view taken along the lines 4—4 of FIG. 2;
FIG. 5 is a rear elevational view taken along lines 5—5 of FIG. 2; and
FIG. 6 is a bottom plan view along the lines 6—6 of FIG. 2.

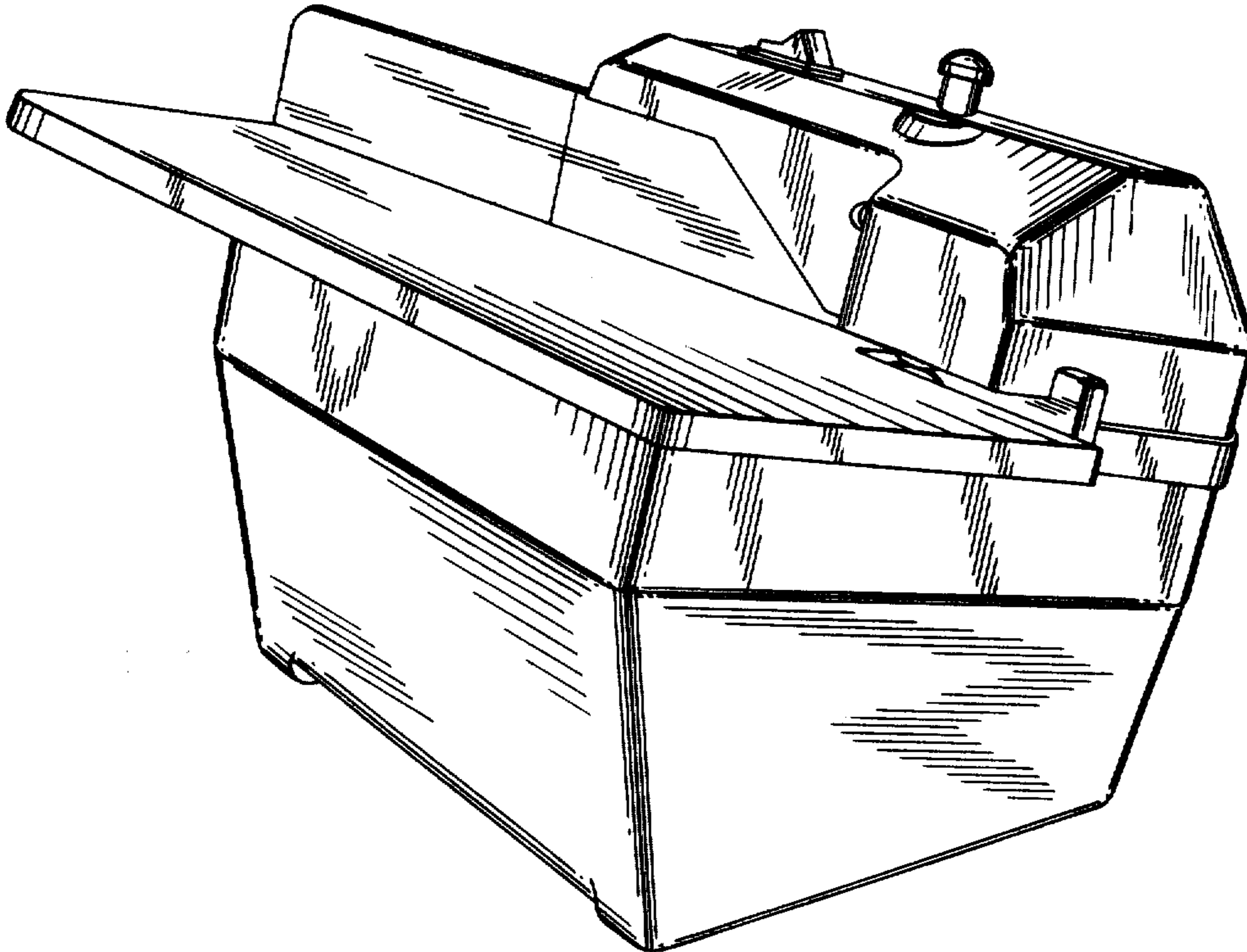


FIG. 1

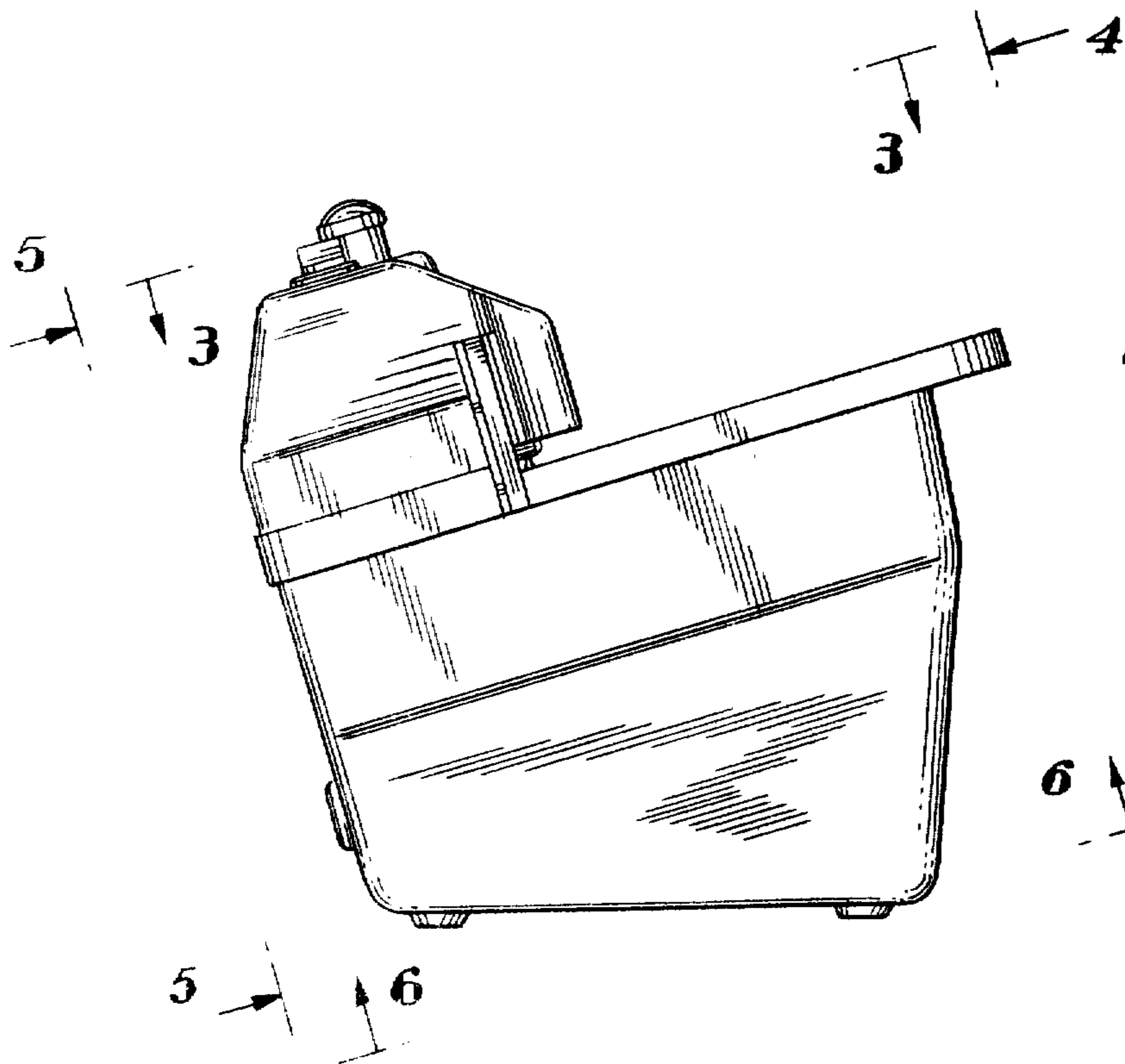
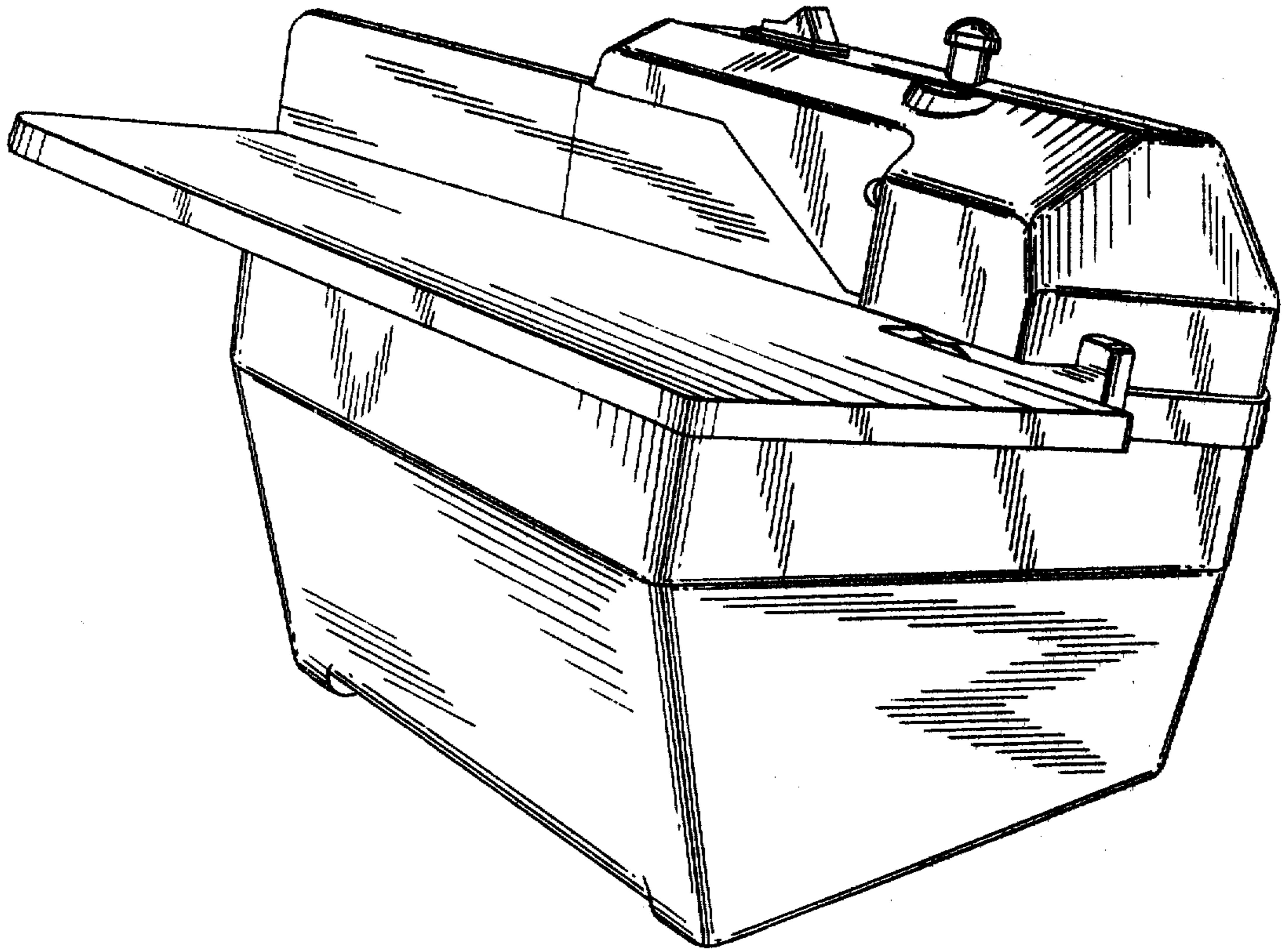


FIG. 2

FIG. 3

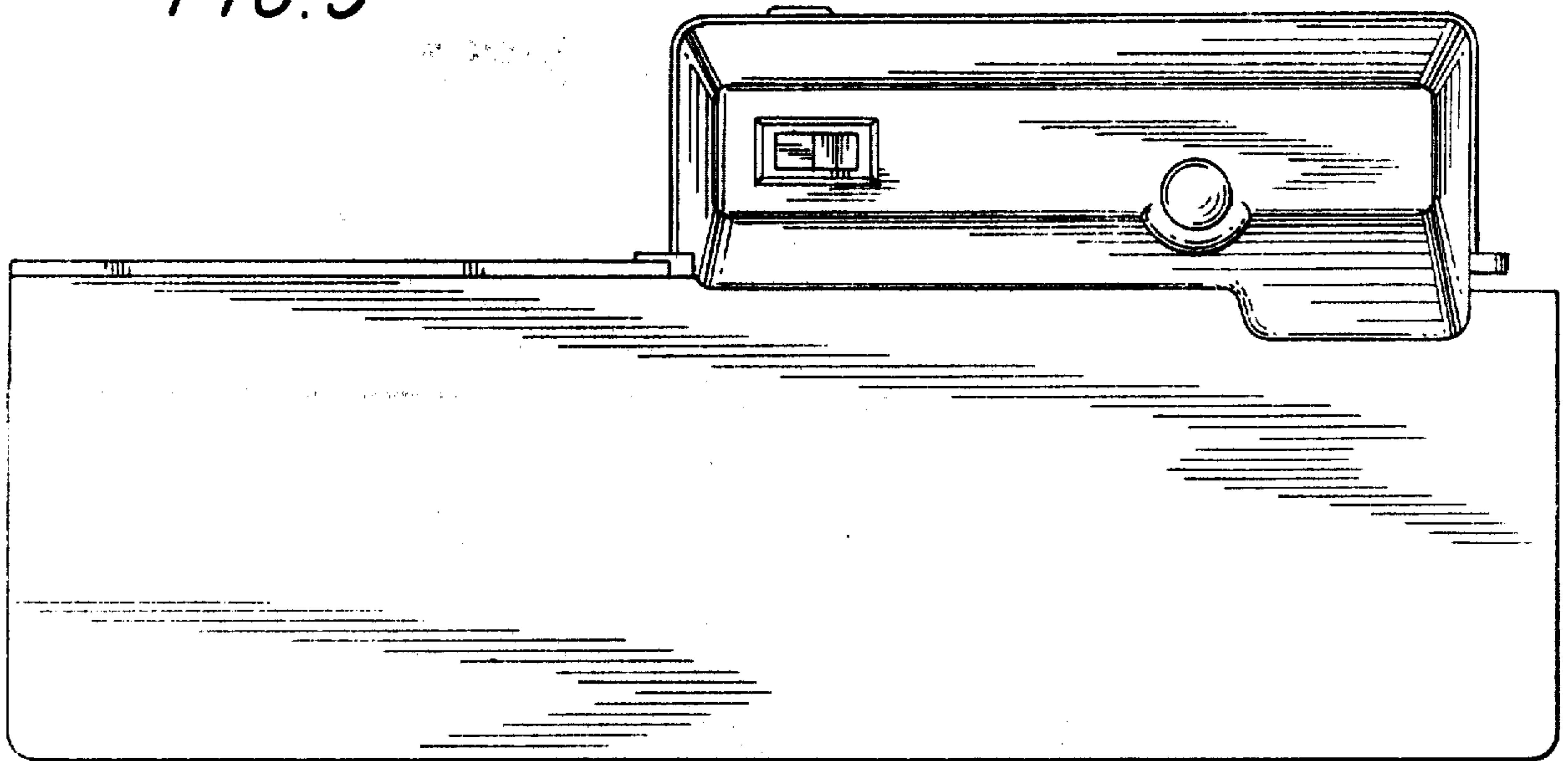


FIG. 4

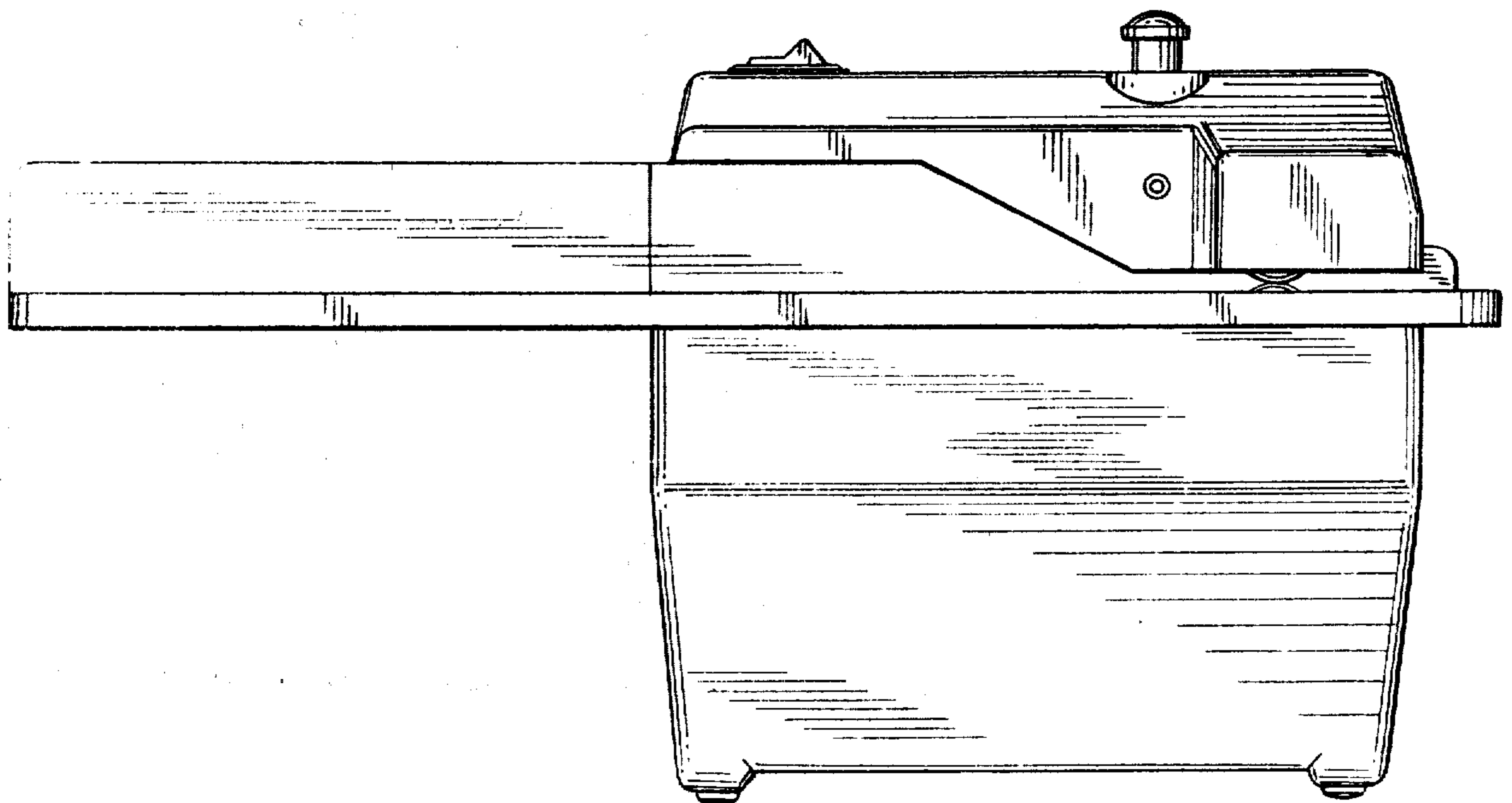


FIG. 5

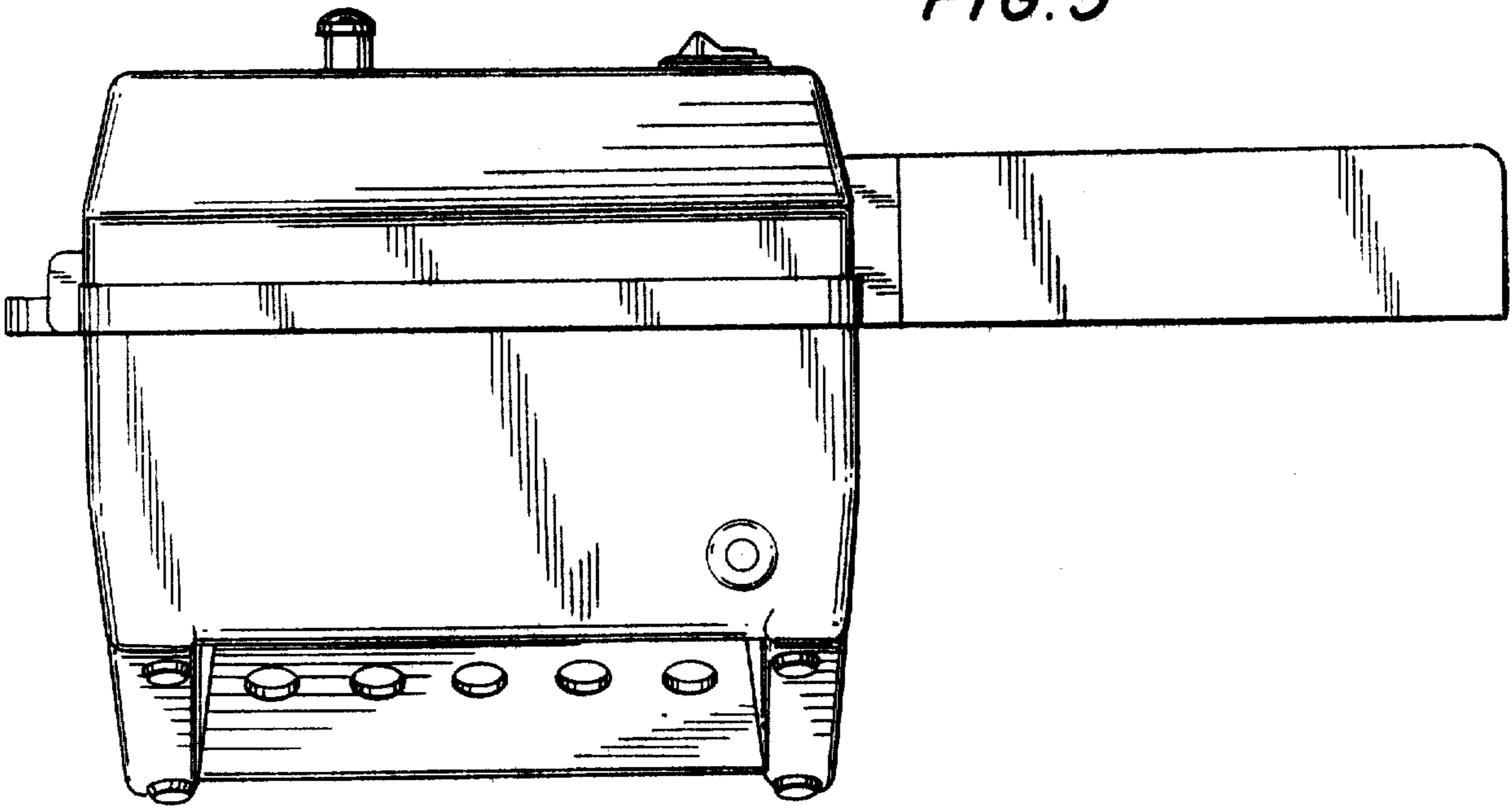


FIG. 6

