

- [54] **SERVING DISH OR THE LIKE**
- [75] Inventors: **Robert H. C. M. Daenen; Rita Goyens-Daenen**, both of Hekelgem, Belgium
- [73] Assignee: **Dart Industries Inc.**, Northbrook, Ill.
- [\*\*] Term: **14 Years**
- [21] Appl. No.: **325,605**
- [22] Filed: **Nov. 27, 1981**
- [51] Int. Cl. .... **D07-01**
- [52] U.S. Cl. .... **D7/27; D7/4**
- [58] Field of Search ..... **D7/22, 1, 2, 3, 4, 27, D7/83, 16, 17, 76, 39, 11; D6/23, 24, 25; 211/131, 128**

- [56] **References Cited**
- U.S. PATENT DOCUMENTS**
- D. 67,042 4/1925 Magee et al. .... D7/22
- D. 113,414 2/1939 Wright ..... D7/23
- D. 185,774 7/1959 Passolt ..... D7/3
- D. 202,965 11/1965 MacDonald ..... D27/27

- 2,174,586 10/1939 Leppke ..... D7/27 X
- 3,179,320 4/1965 Ward ..... D7/27 X

**FOREIGN PATENT DOCUMENTS**

- 375486 6/1932 United Kingdom ..... D7/27 X

**OTHER PUBLICATIONS**

*Tupperware Home Parties Cat.*, No. 500S, p. 31, Item #T30 in left 2 panels, "Florette", four-in-one container.

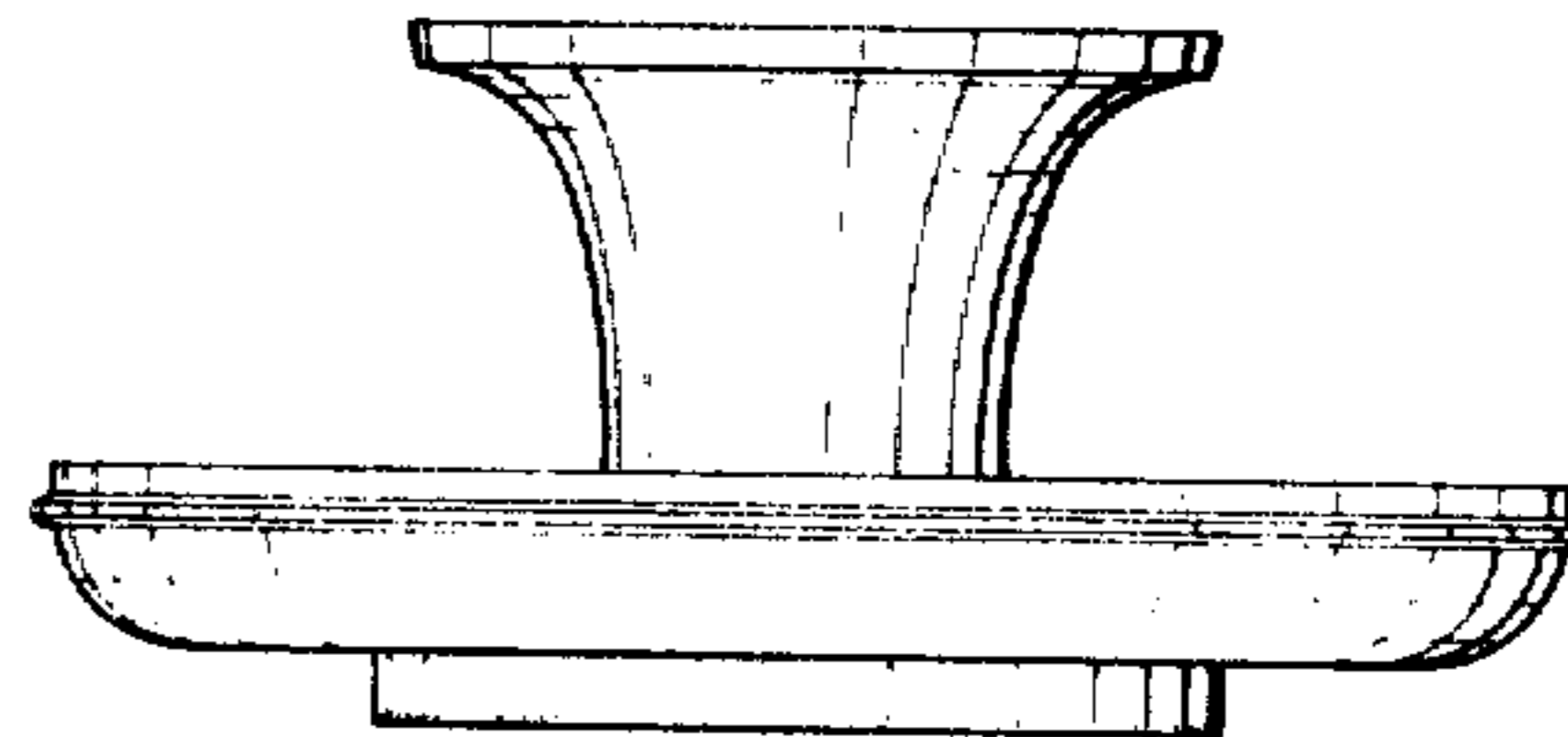
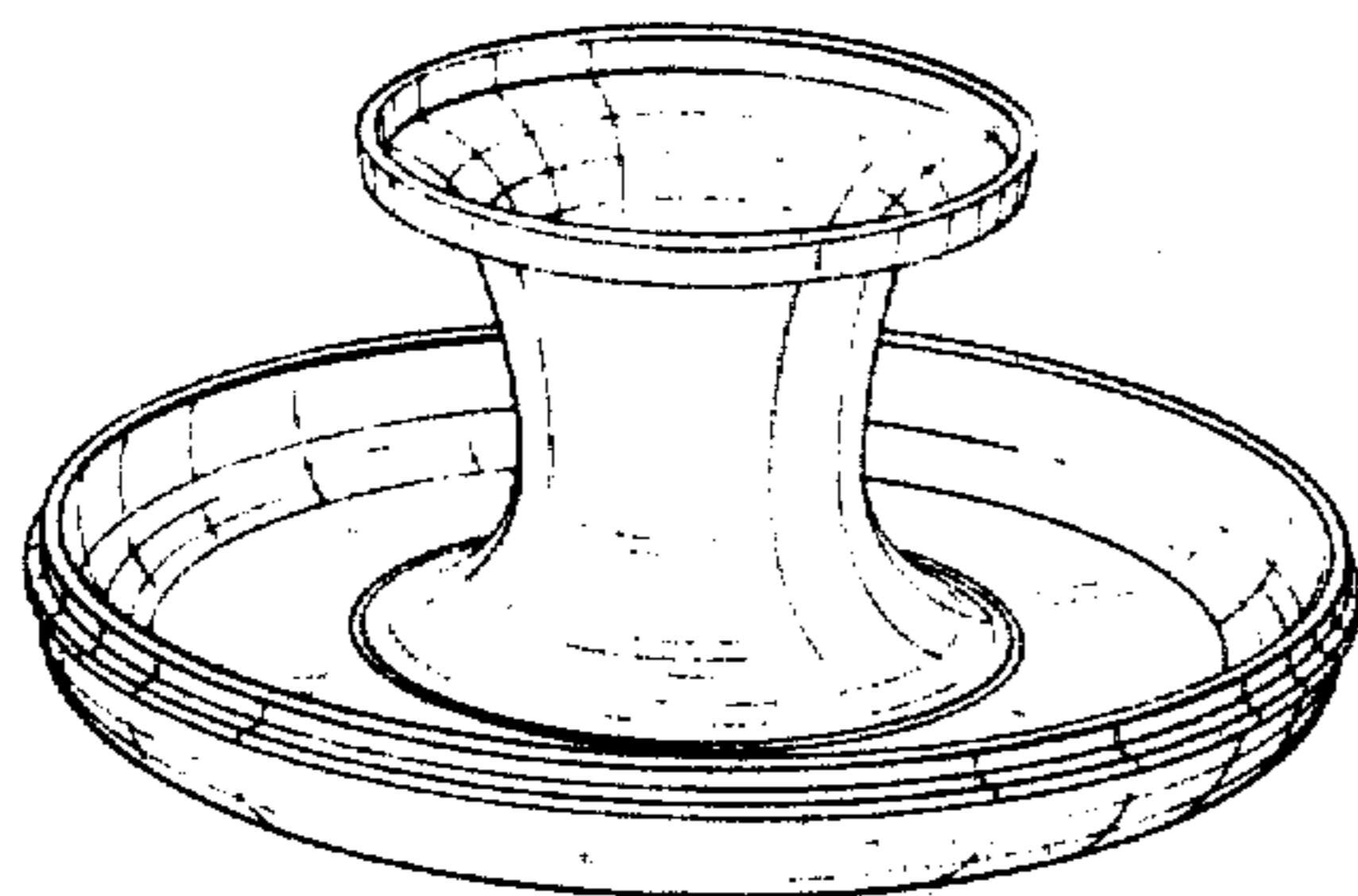
*Primary Examiner*—Winifred E. Herrmann  
*Attorney, Agent, or Firm*—John A. Doninger

[57] **CLAIM**

The ornamental design for a serving dish or the like, substantially as shown.

**DESCRIPTION**

FIG. 1 is a top perspective view of a serving dish or the like showing our new design;  
FIG. 2 is a side elevational view thereof;  
FIG. 3 is a top plan view thereof;  
FIG. 4 is a bottom plan view thereof.



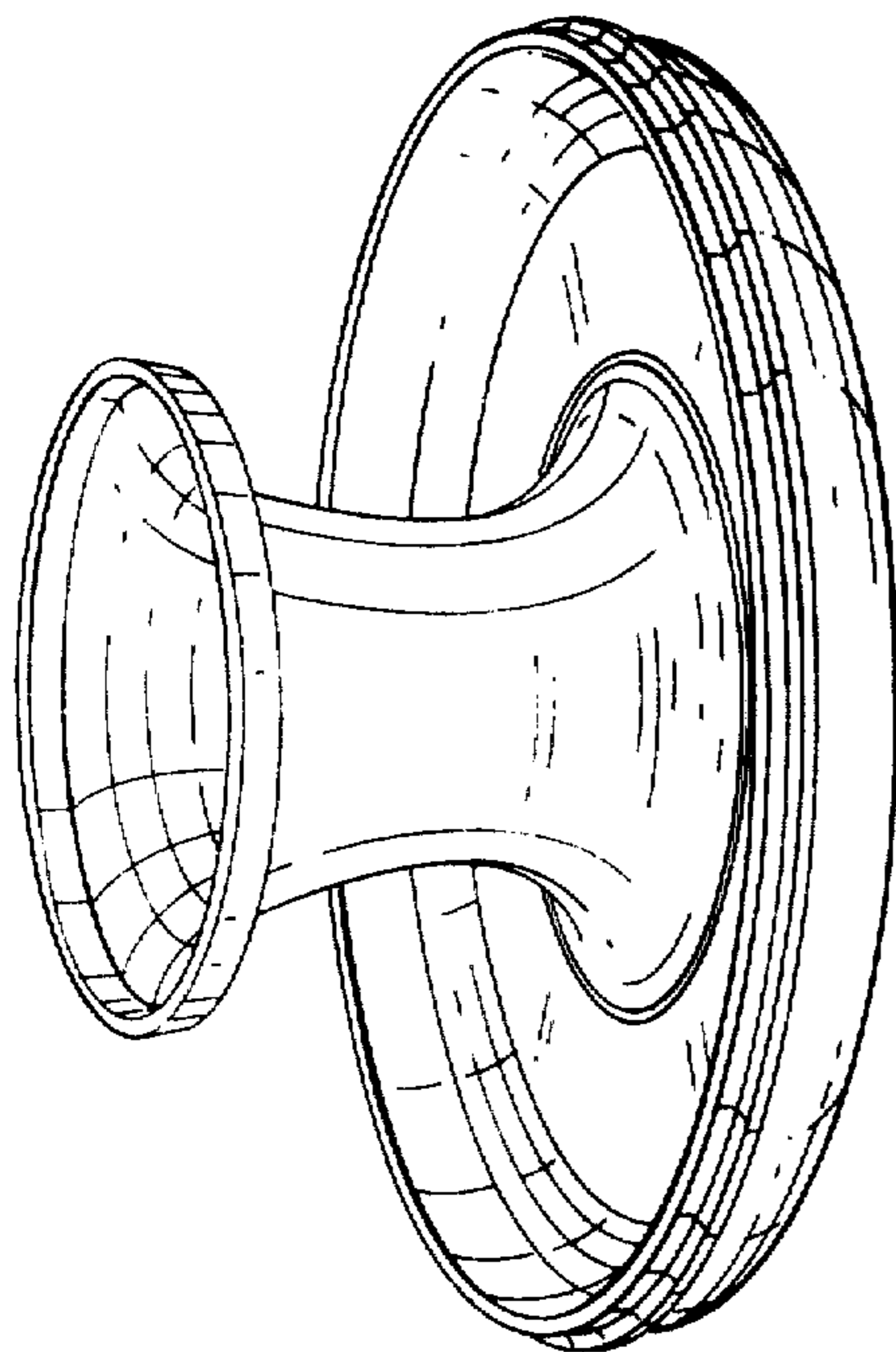


FIG. 1

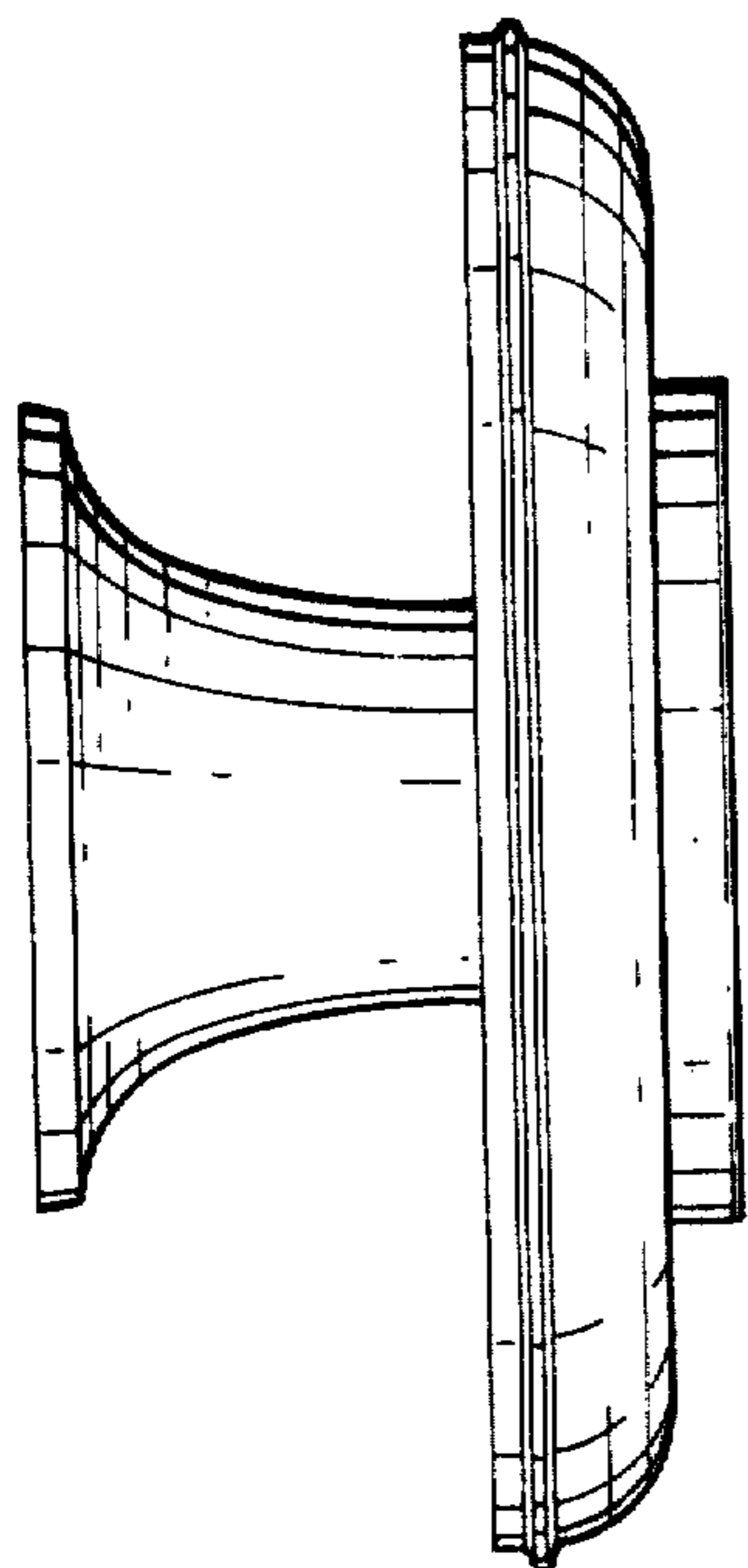


FIG. 2

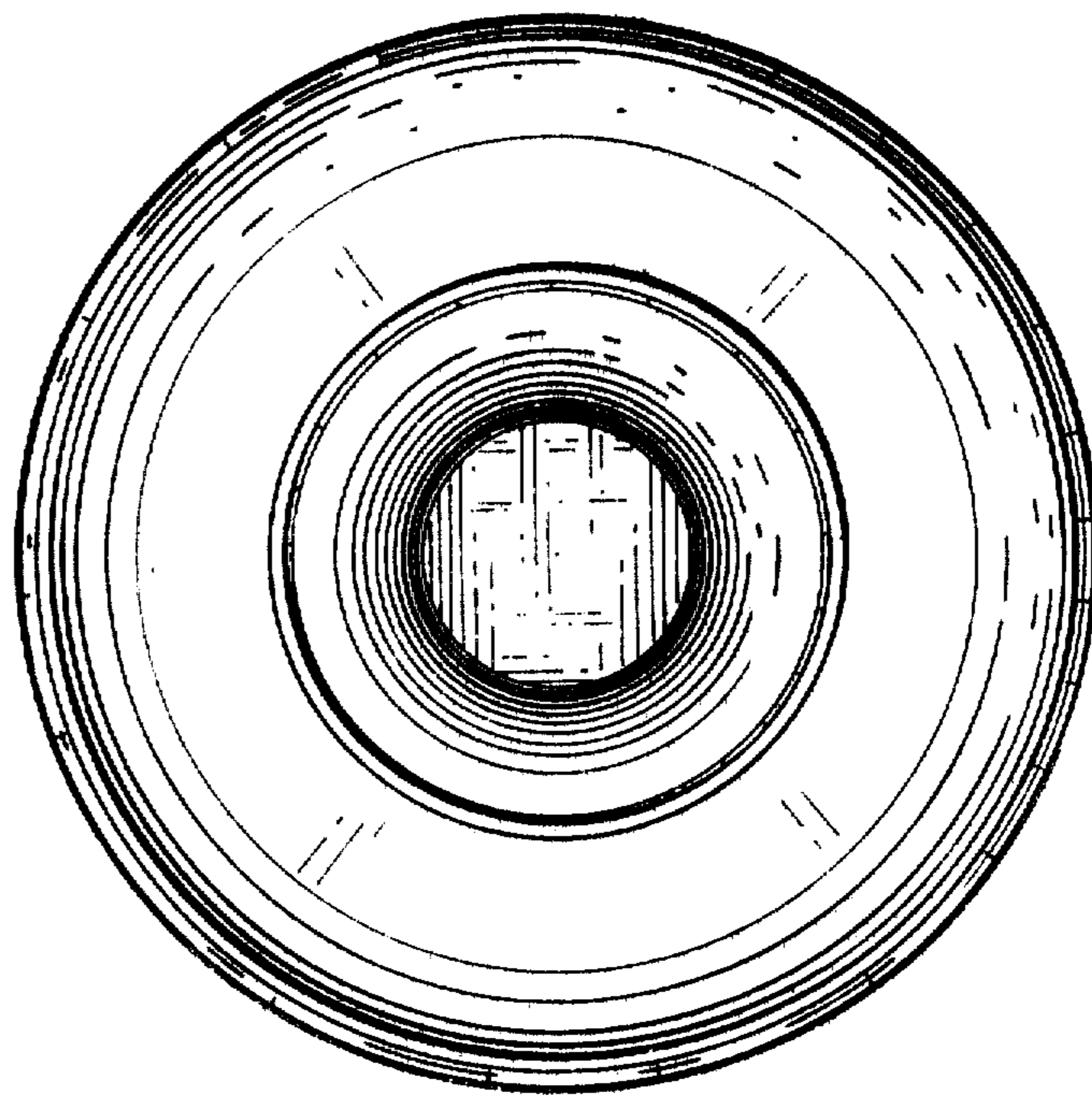


FIG. 3

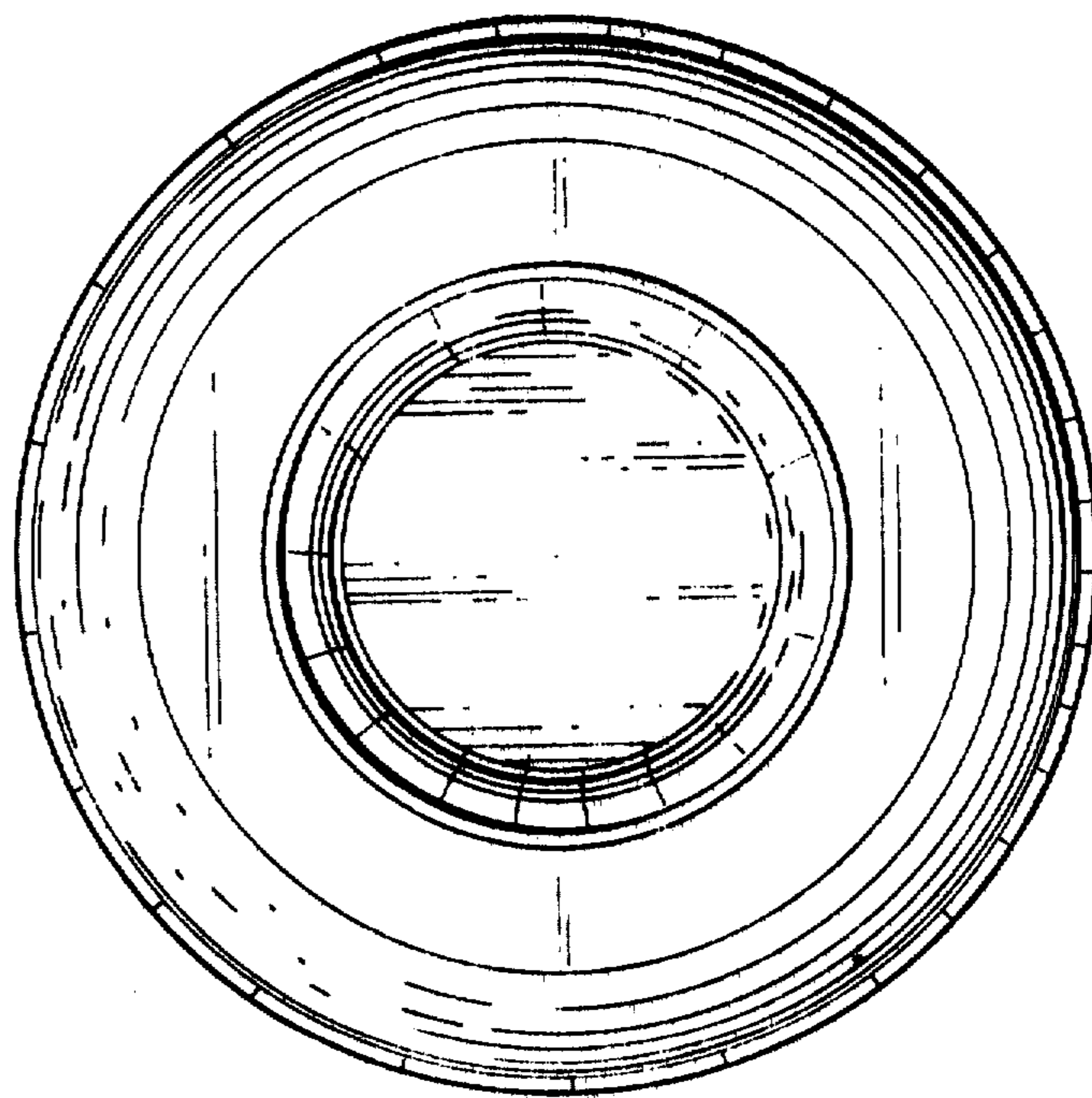


FIG. 4