

[54] SERVING DISH OR THE LIKE

[75] Inventors: Robert H. C. M. Daenen; Rita Goyens-Daenen, both of Hekelegem, Belgium

[73] Assignee: Dart Industries Inc., Northbrook, Ill.

[**] Term: 14 Years

[21] Appl. No.: 325,410

[22] Filed: Nov. 27, 1981

[51] Int. Cl. D07-01

[52] U.S. Cl. D7/23; D7/27

[58] Field of Search D7/1, 2, 3, 4, 17, 16, D7/23, 22, 83, 76, 39

[56] References Cited

U.S. PATENT DOCUMENTS

D. 243,912 4/1977 Daenen D7/23

D. 252,178	6/1979	Christian	D7/17 X
1,688,992	10/1928	Smith	220/23.86
2,799,147	7/1957	Crawford, Jr.	D7/23 X
3,179,320	4/1965	Ward	D7/27 X
3,373,890	3/1968	Schilling	D7/76 X

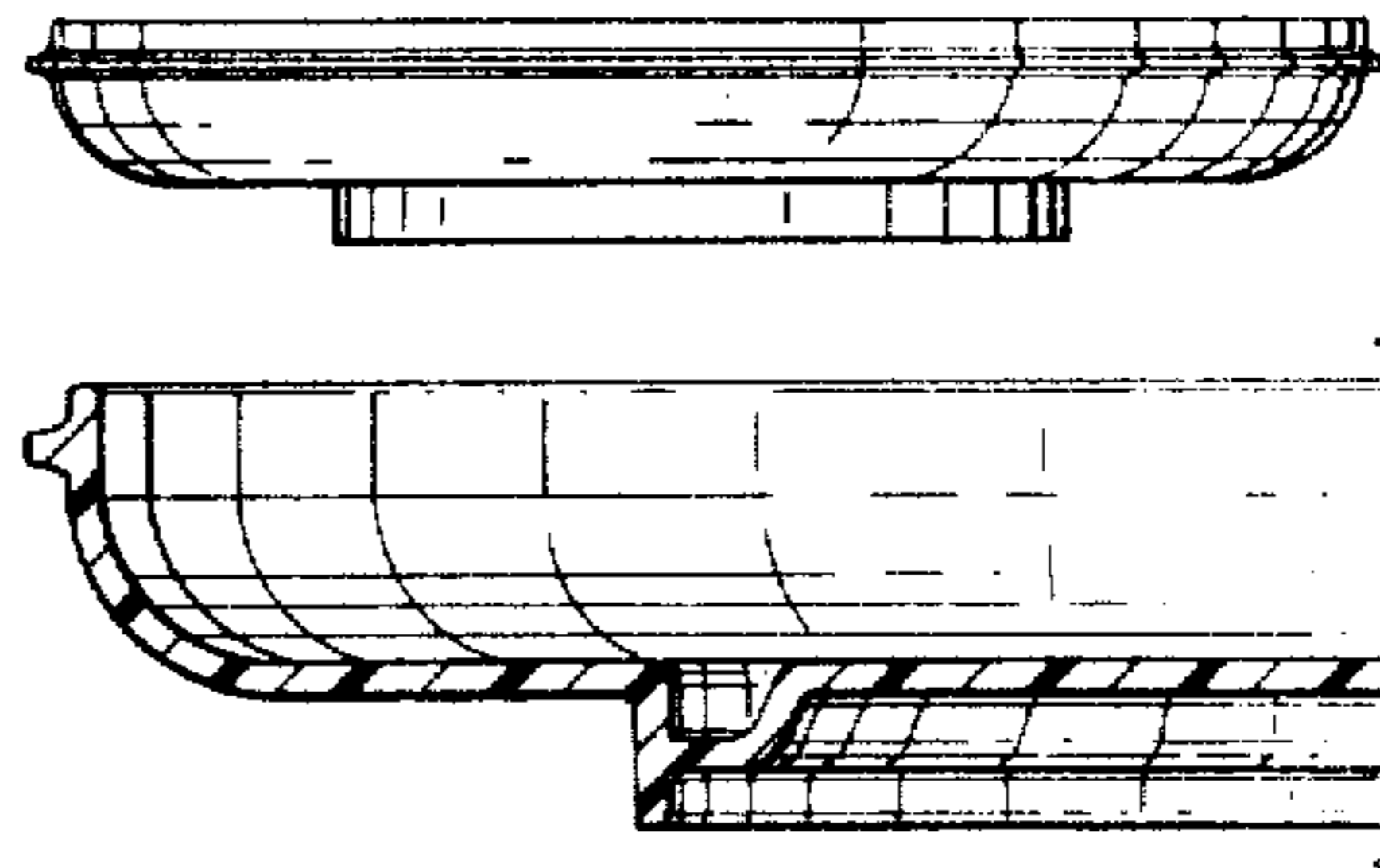
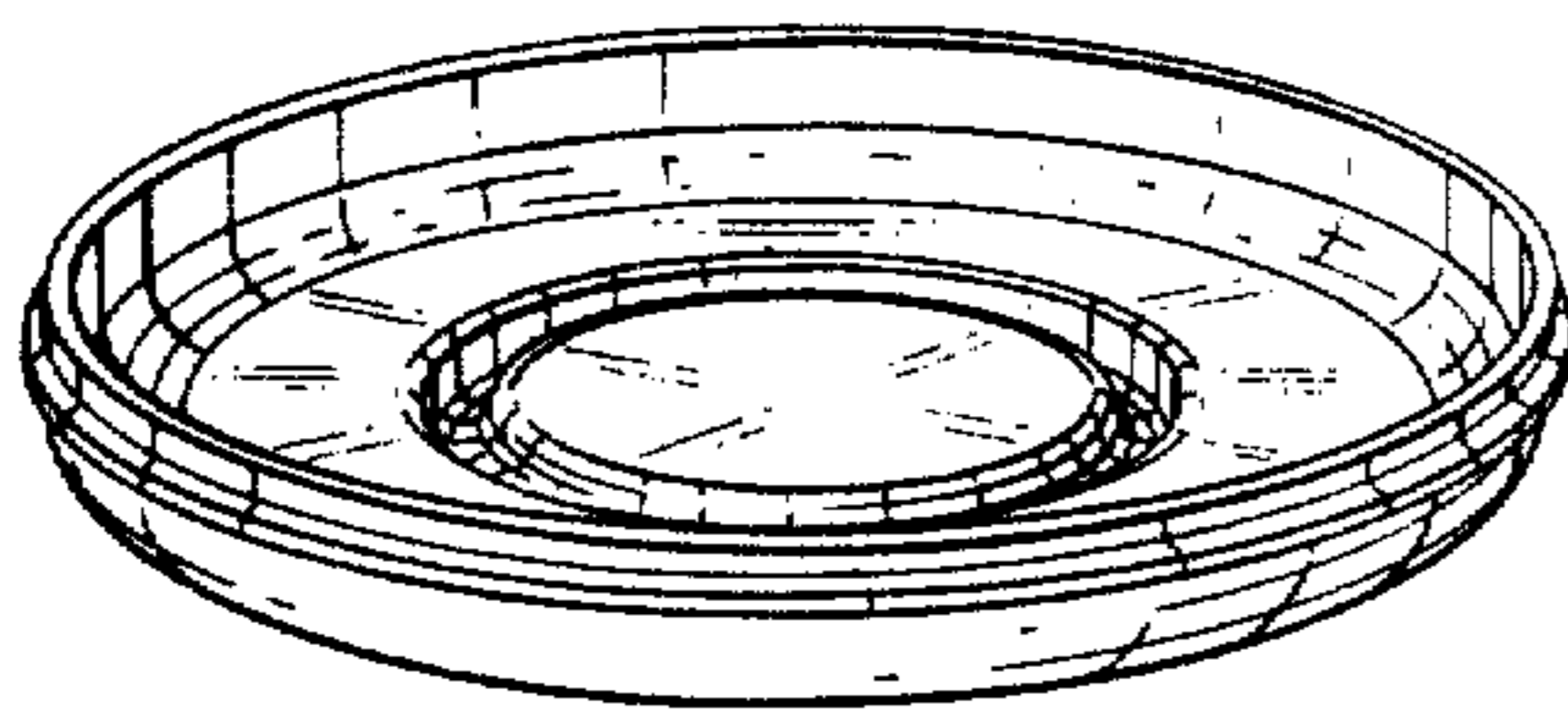
Primary Examiner—Winifred E. Herrmann
Attorney, Agent, or Firm—John A. Doninger

[57] CLAIM

The ornamental design for a serving dish or the like, substantially as shown.

DESCRIPTION

FIG. 1 is a top perspective view of a serving dish or the like showing our new design;
FIG. 2 is a side elevational view thereof;
FIG. 3 is a cross-sectional view on an enlarged scale taken along lines 3-3 of FIG. 4;
FIG. 4 is a top plan view thereof;
FIG. 5 is a bottom plan view thereof.



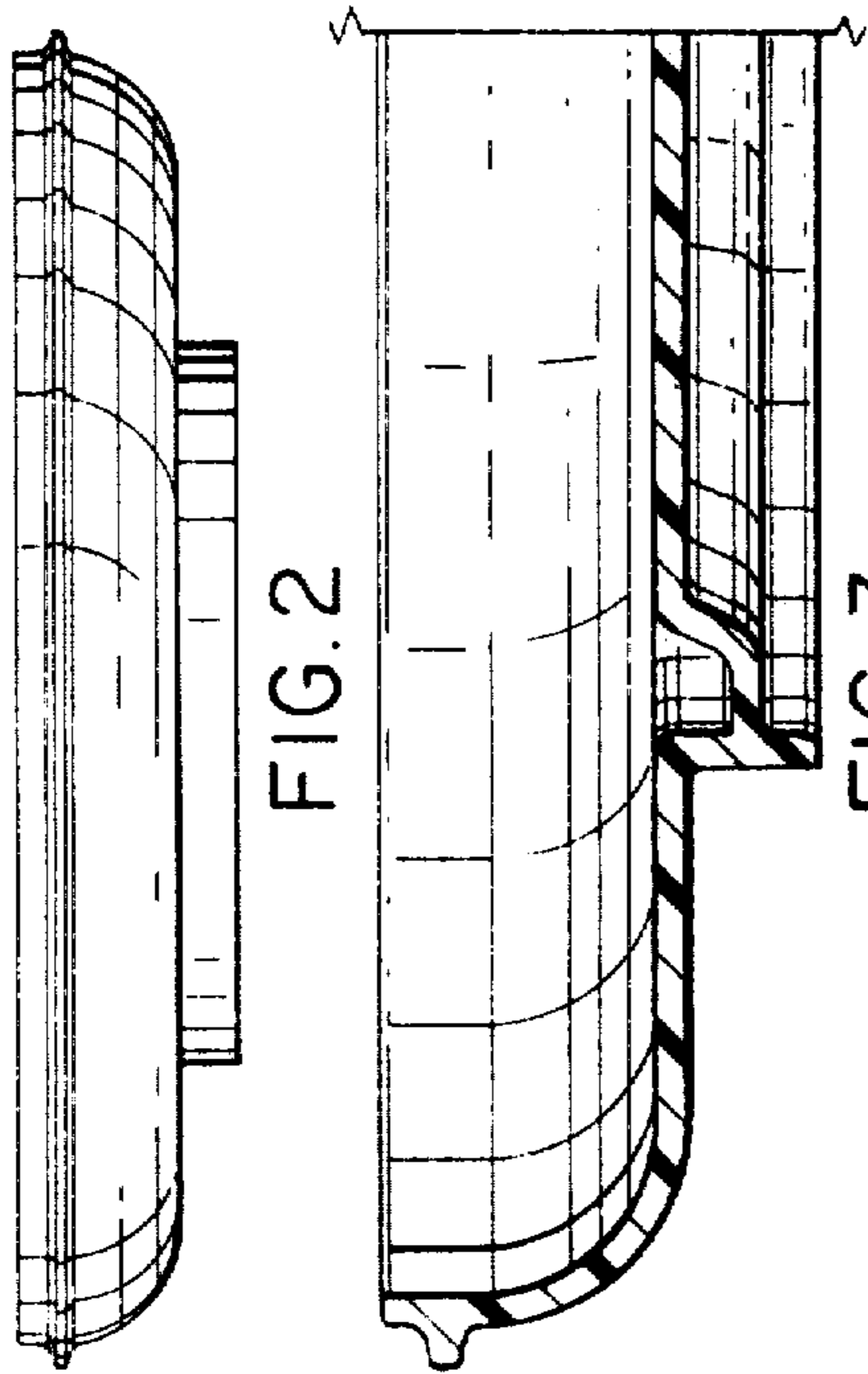


FIG. 2

FIG. 3

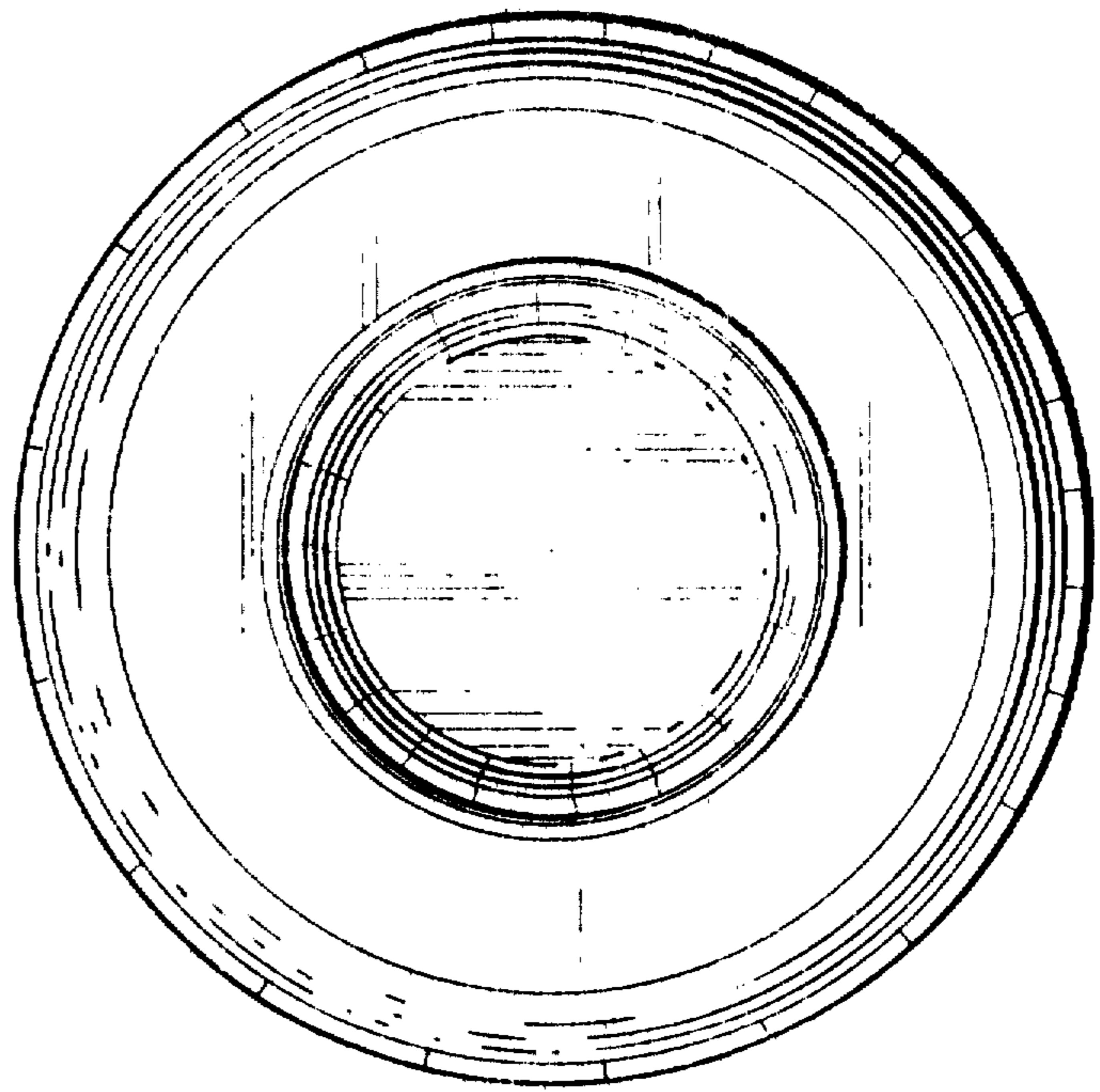


FIG. 5

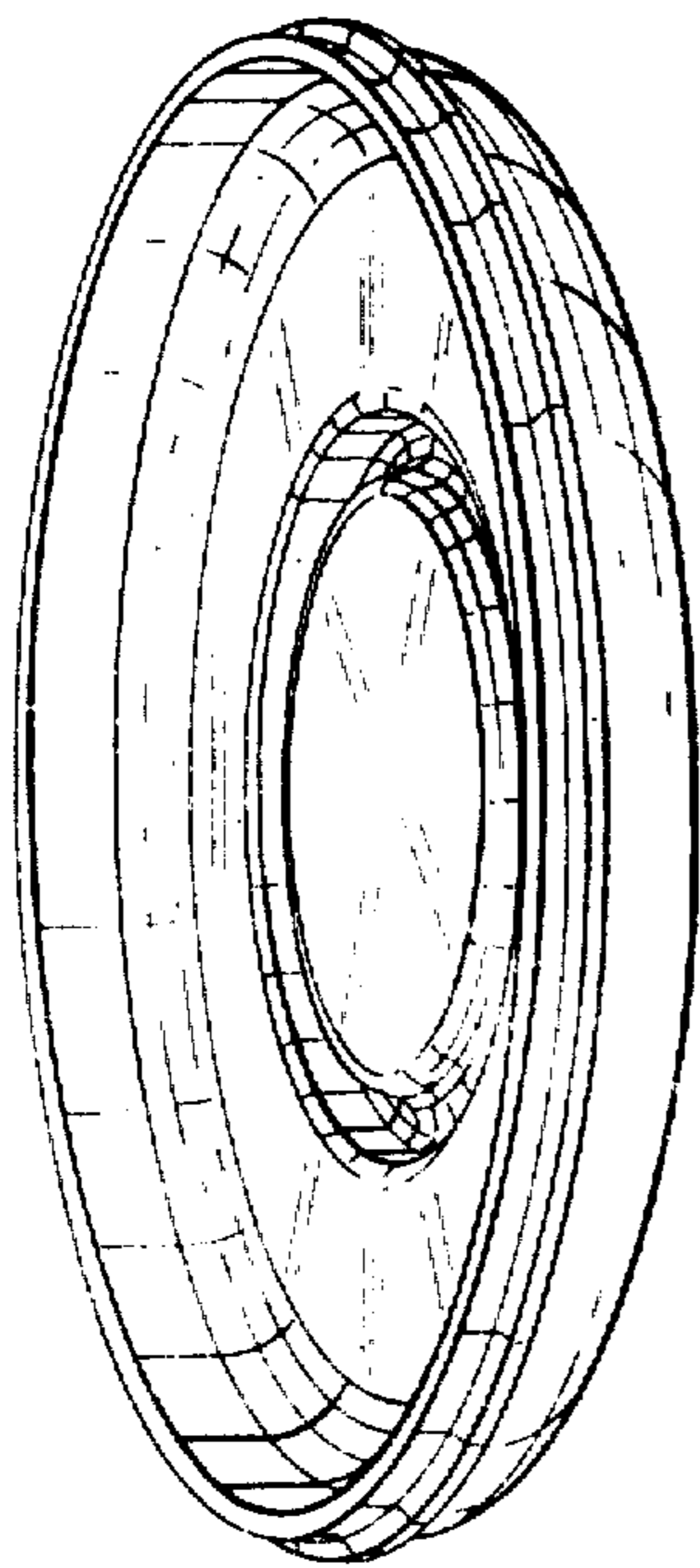


FIG. 1

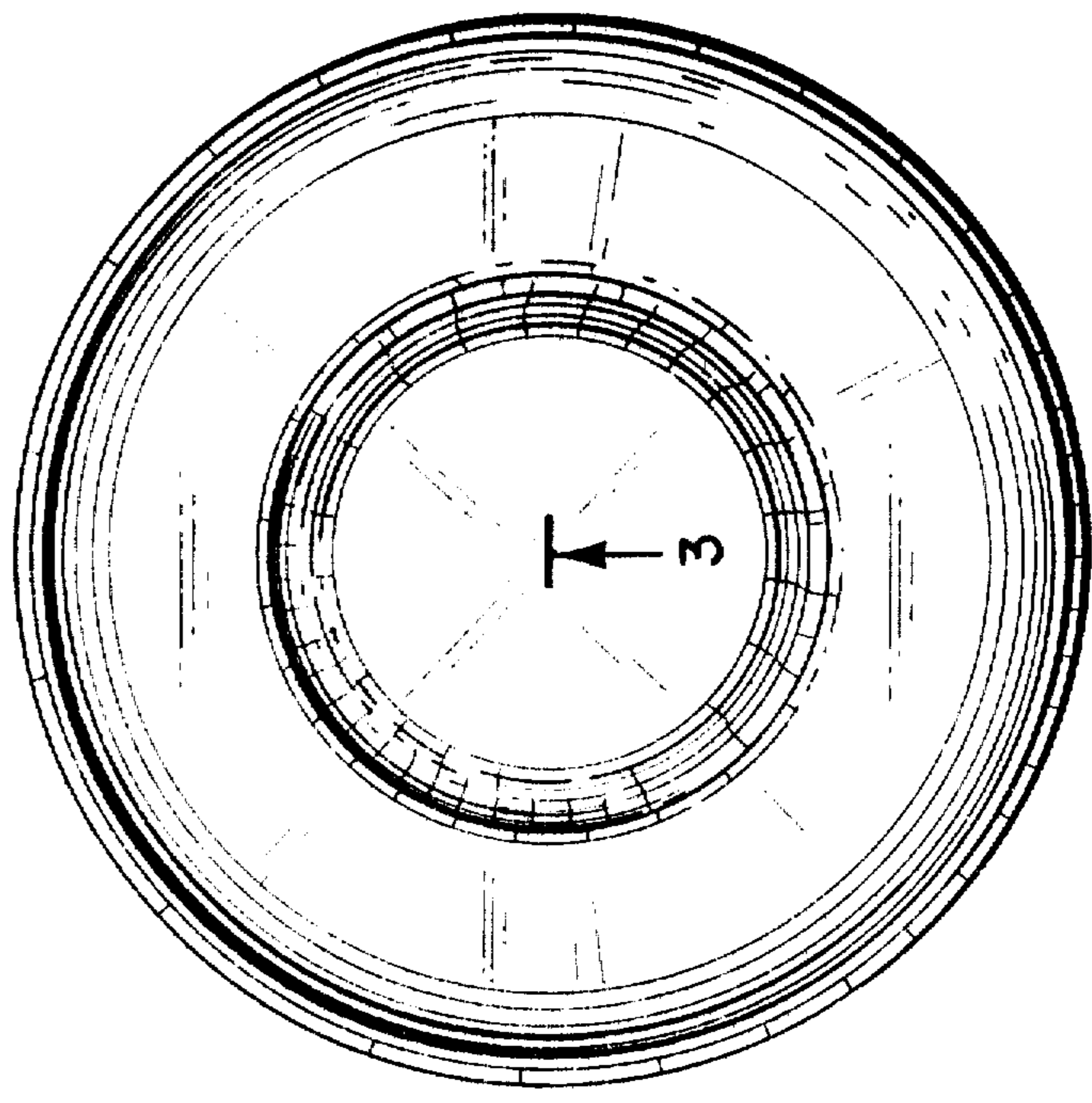


FIG. 4

3