

- [54] **SERVING DISH OR THE LIKE**
- [75] Inventors: **Robert H. C. M. Daenen; Rita Goyens-Daenen**, both of Hekelgem, Belgium
- [73] Assignee: **Dart Industries Inc.**, Northbrook, Ill.
- [**] Term: **14 Years**
- [21] Appl. No.: **325,408**
- [22] Filed: **Nov. 27, 1981**
- [51] Int. Cl. **D07—01**
- [52] U.S. Cl. **D7/22; D7/83**
- [58] Field of Search **D7/22, 1, 83, 27, 3, D7/2, 4, 76, 16, 17, 11, 39; D6/23, 24, 25**

- [56] **References Cited**
- U.S. PATENT DOCUMENTS**
- D. 38,140 7/1906 Purowicz D7/2 X
- 145,145 12/1873 Baggs D7/22 X
- D. 208,097 7/1967 Henn D7/22

D. 240,343 6/1976 Moore, Jr. D6/24 X

FOREIGN PATENT DOCUMENTS

375486 6/1932 United Kingdom D7/27 X

OTHER PUBLICATIONS

Jackson Vitrified China Co., No. 11, Cat. p. 10, item #53, left col., middle, Comport-High Foot.

Primary Examiner—Winifred E. Herrmann
Attorney, Agent, or Firm—John A. Doninger

[57] **CLAIM**

The ornamental design for a serving dish or the like, substantially as shown.

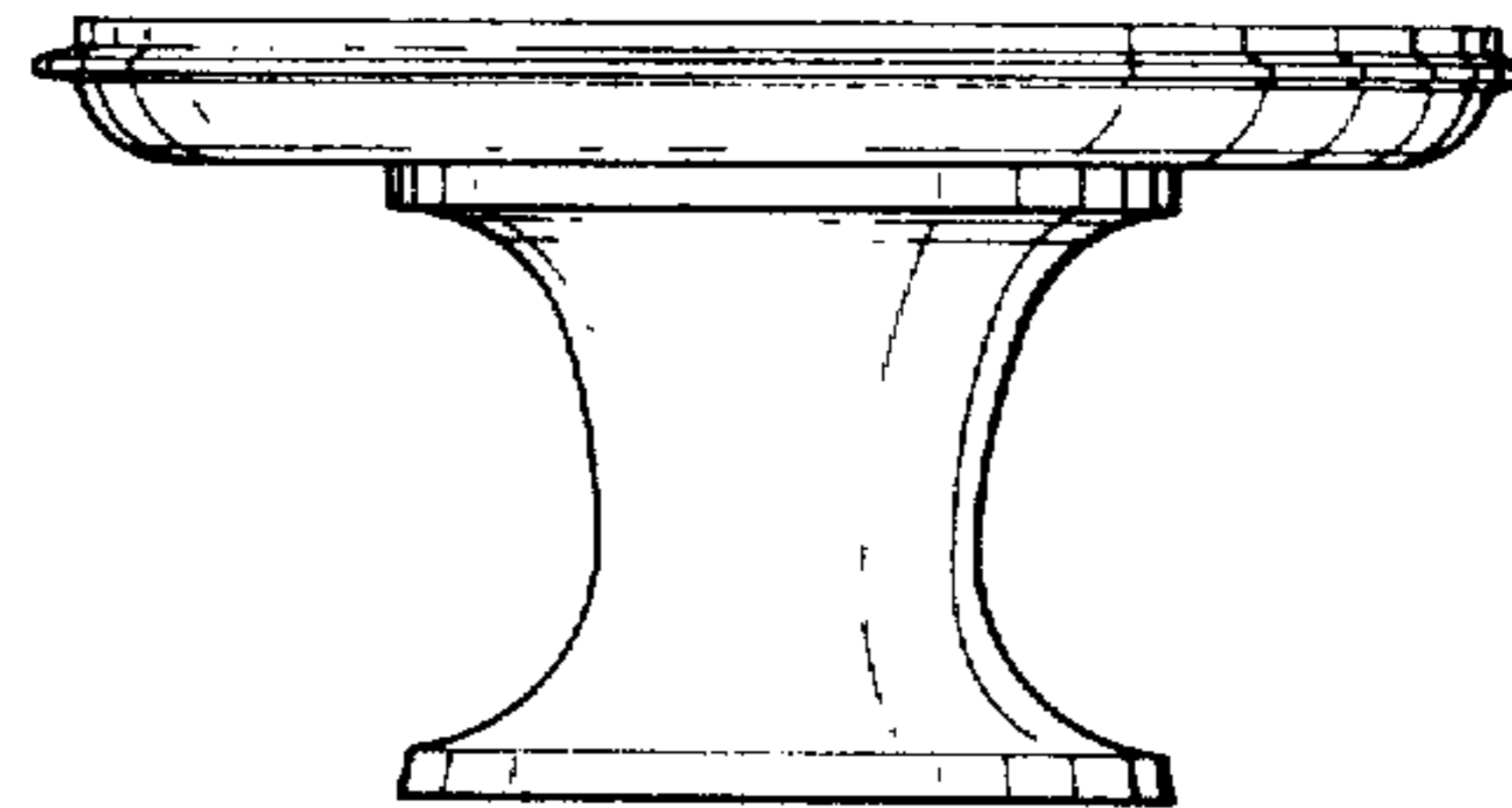
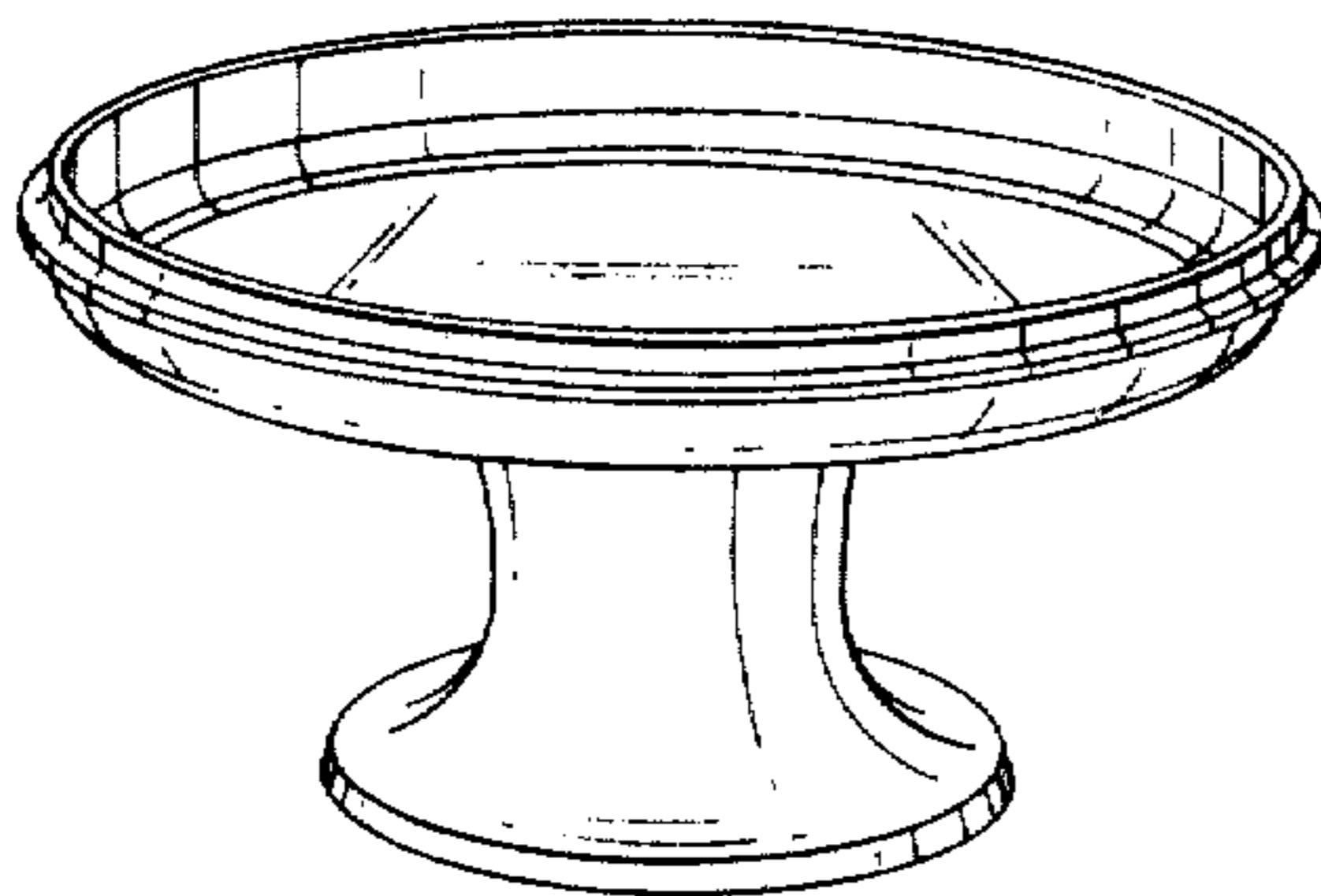
DESCRIPTION

FIG. 1 is a top perspective view of a serving dish or the like showing our new design;

FIG. 2 is a side elevational view thereof;

FIG. 3 is a top plan view thereof;

FIG. 4 is a bottom plan view thereof.



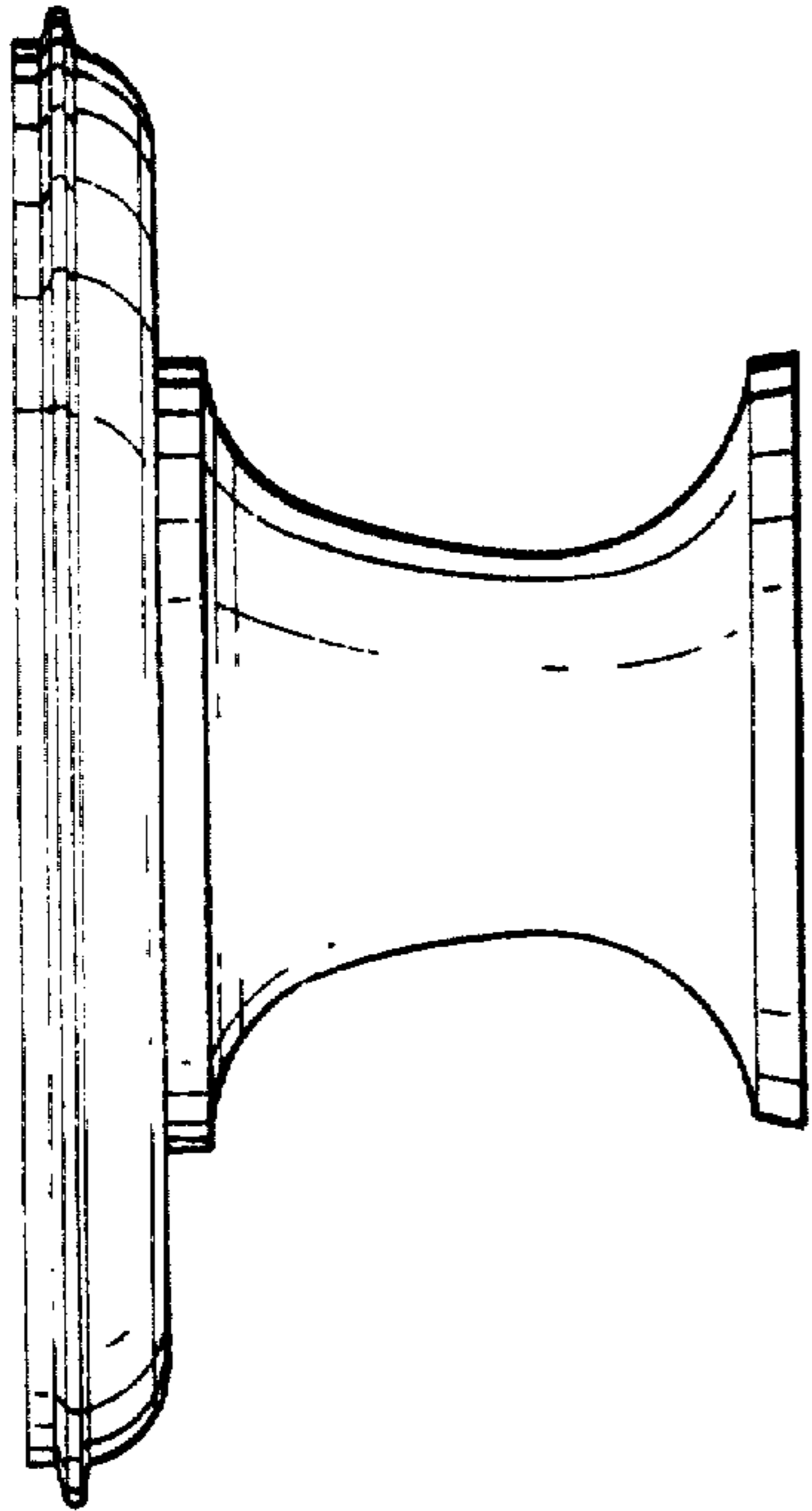


FIG. 2

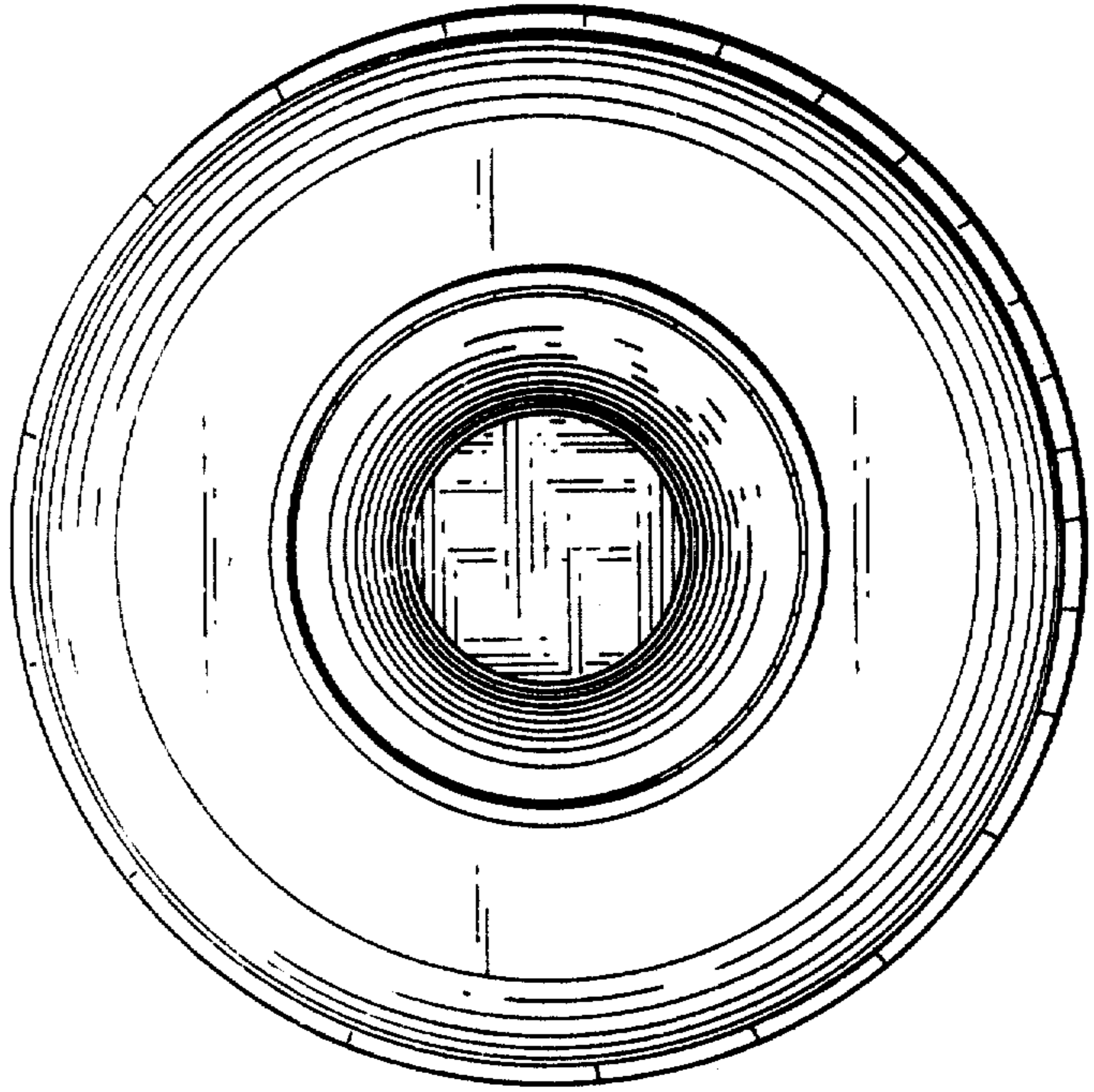


FIG. 4

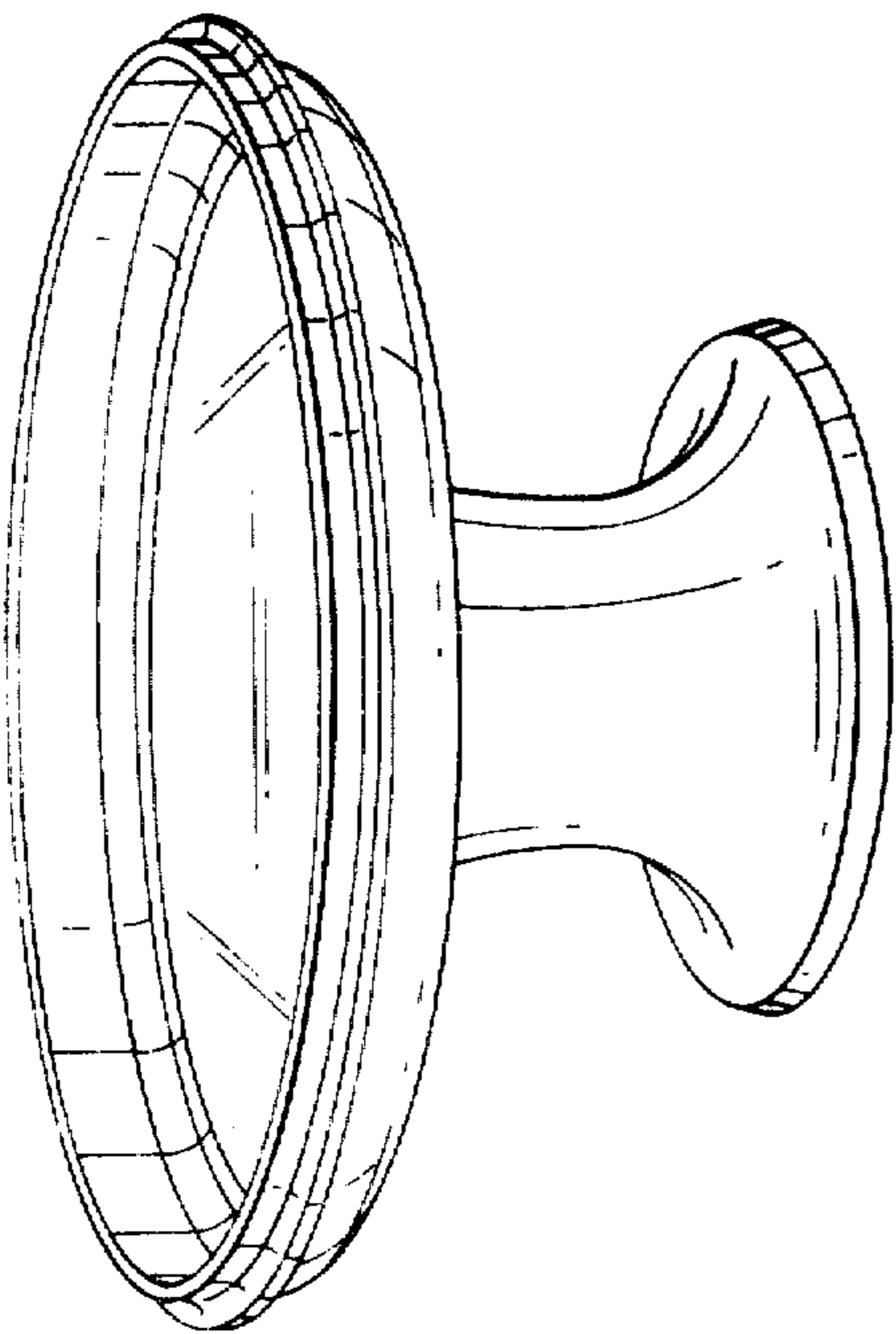


FIG. 1

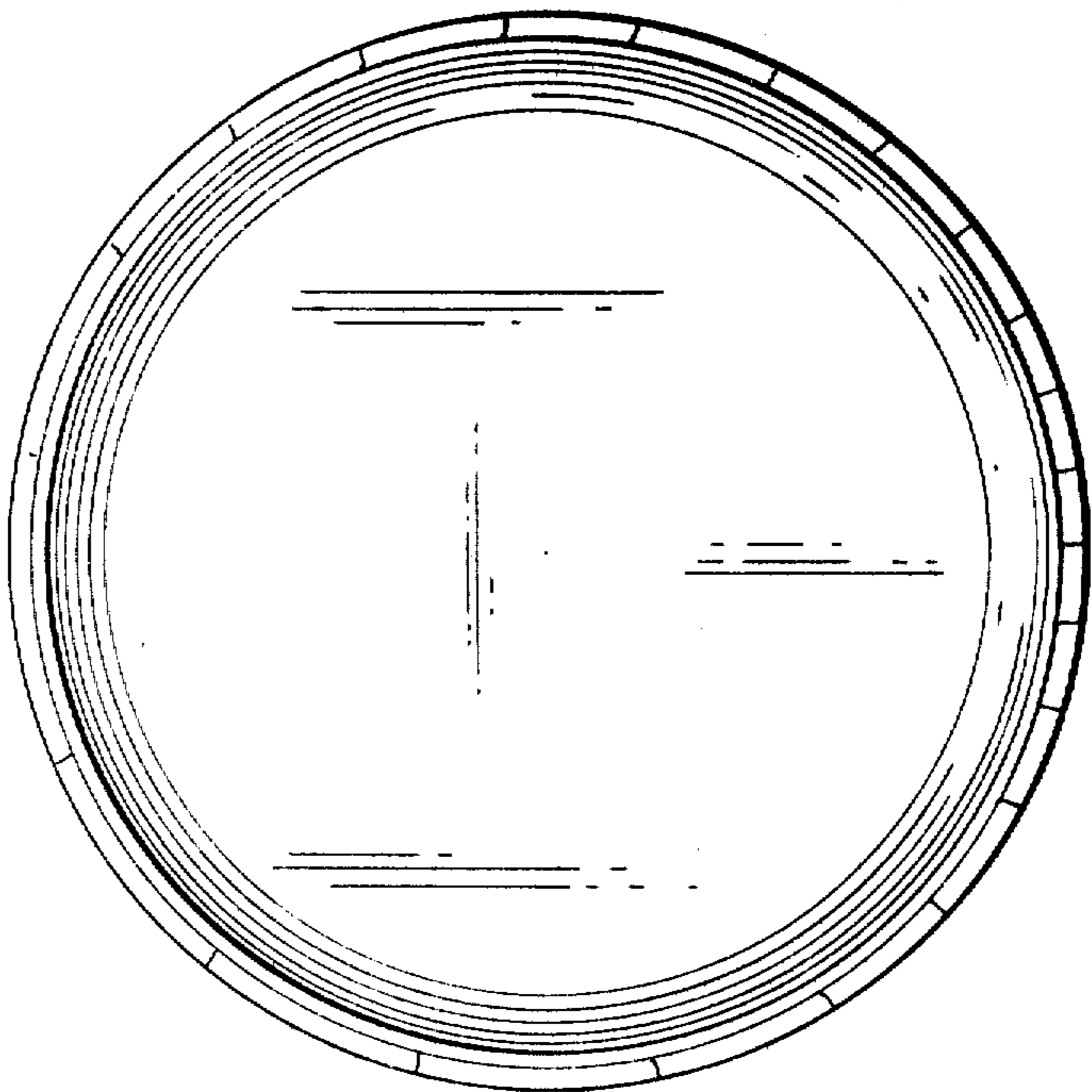


FIG. 3