

[54] HINGE MOUNTING PLATE

[75] Inventors: Erich Rock, Hochst; Klaus Bustle, Lauterach, both of Austria

[73] Assignee: Julius Blum Gesellschaft m.b.H., Hochst, Austria

[**] Term: 14 Years

[21] Appl. No.: 299,525

[22] Filed: Sep. 4, 1981

[30] Foreign Application Priority Data

May 3, 1981 [AT] Austria 26.318

May 3, 1981 [AT] Austria 26.324

[51] Int. Cl. D6-99

[52] U.S. Cl. D6/194; D8/323

[58] Field of Search D6/191, 194; D8/323, D8/324, 325, 326, 327, 328

[56] References Cited

U.S. PATENT DOCUMENTS

D. 26,245	11/1896	Taber	D6/198
D. 45,360	3/1914	Vail	D6/198
D. 233,730	11/1974	Burton et al.	D8/323
D. 240,392	7/1976	Gorton et al.	D8/323

Primary Examiner—Bruce W. Dunkins

Attorney, Agent, or Firm—Wenderoth, Lind & Ponack

[57] CLAIM

The ornamental design for a hinge mounting plate, substantially as shown.

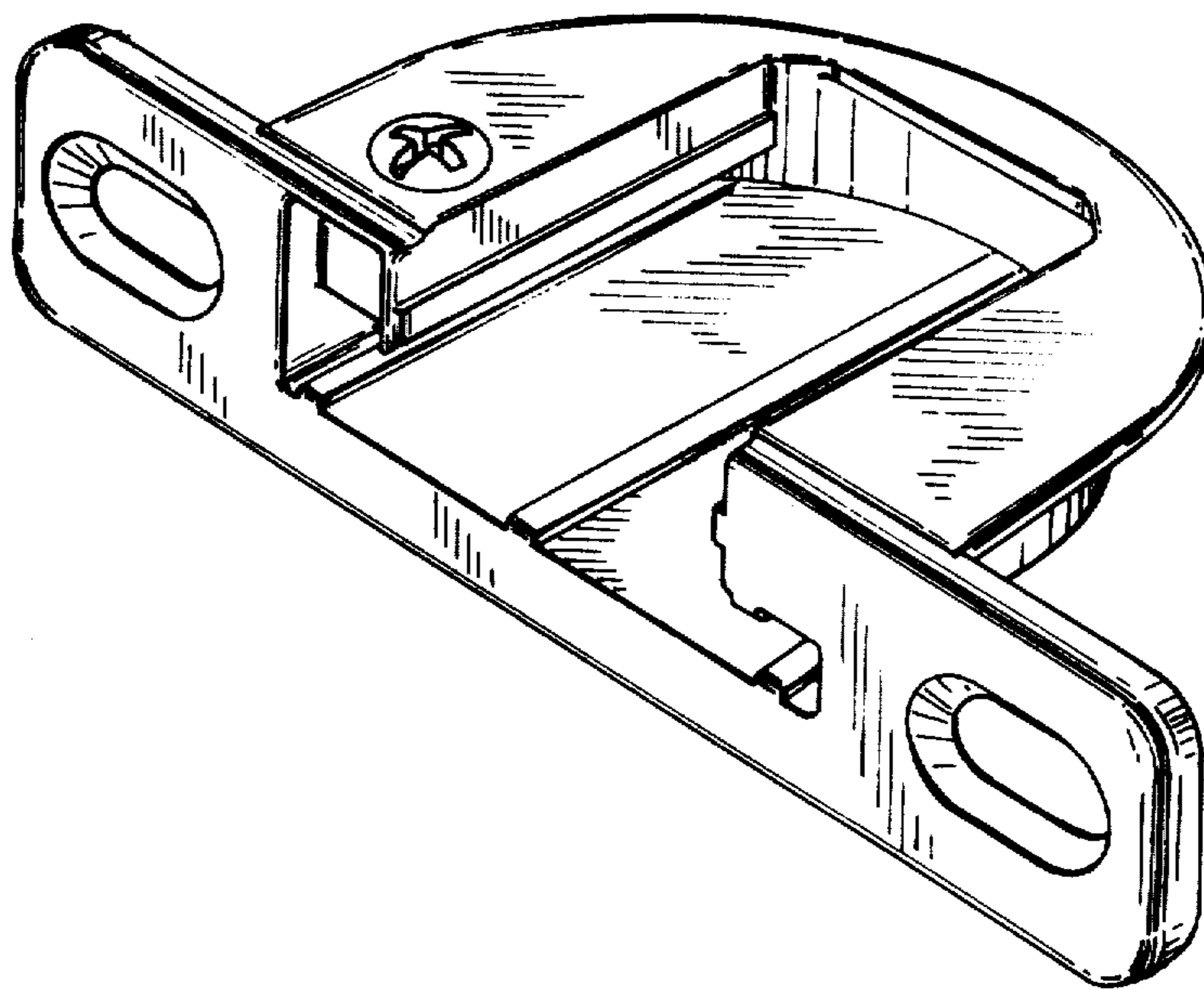
DESCRIPTION

FIG. 1 is a top perspective view of our hinge mounting plate;

FIG. 2 is a top perspective view thereof, taken from a different side;

FIG. 3 is a bottom view thereof; and

FIG. 4 is a perspective view thereof from the bottom.



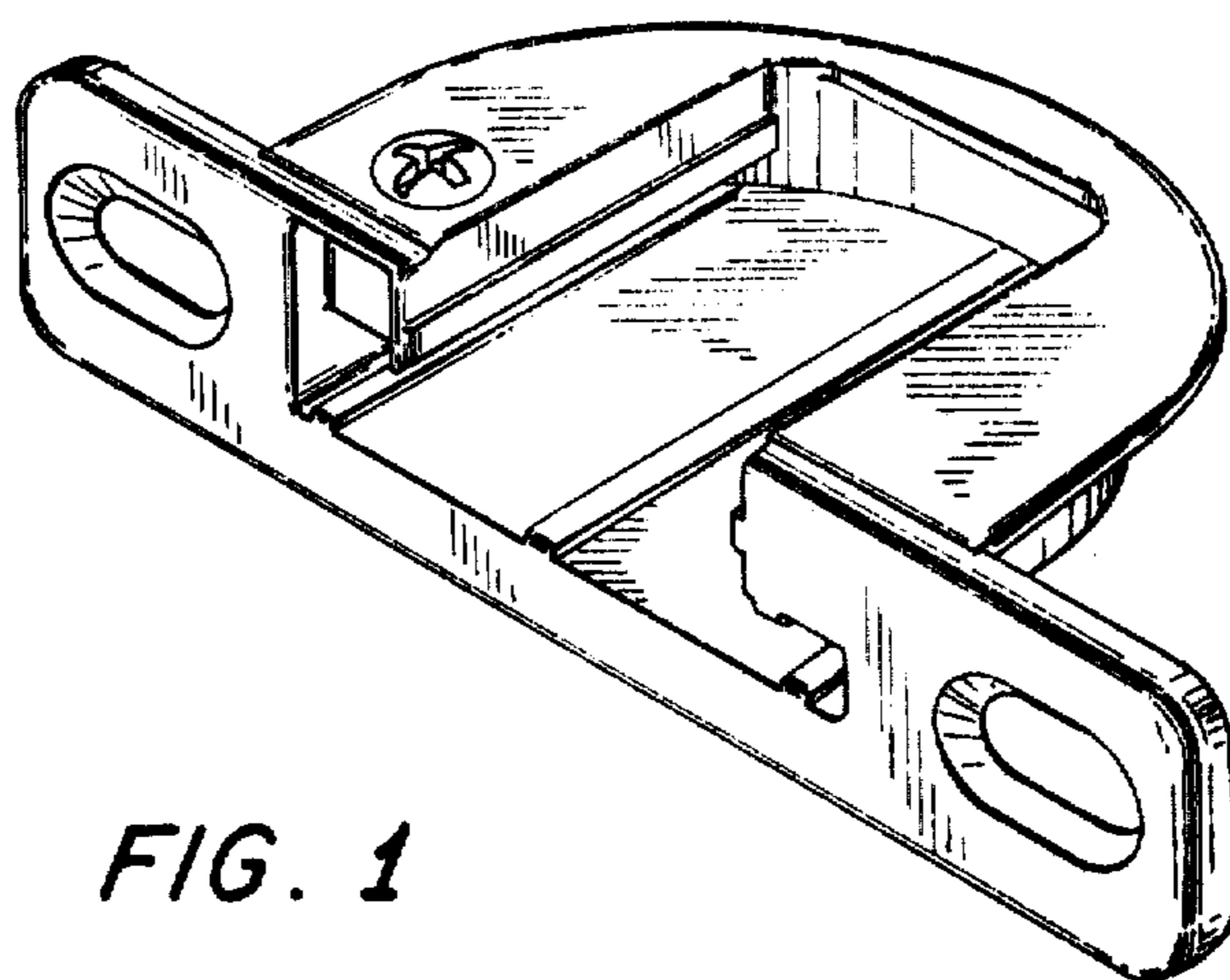


FIG. 1

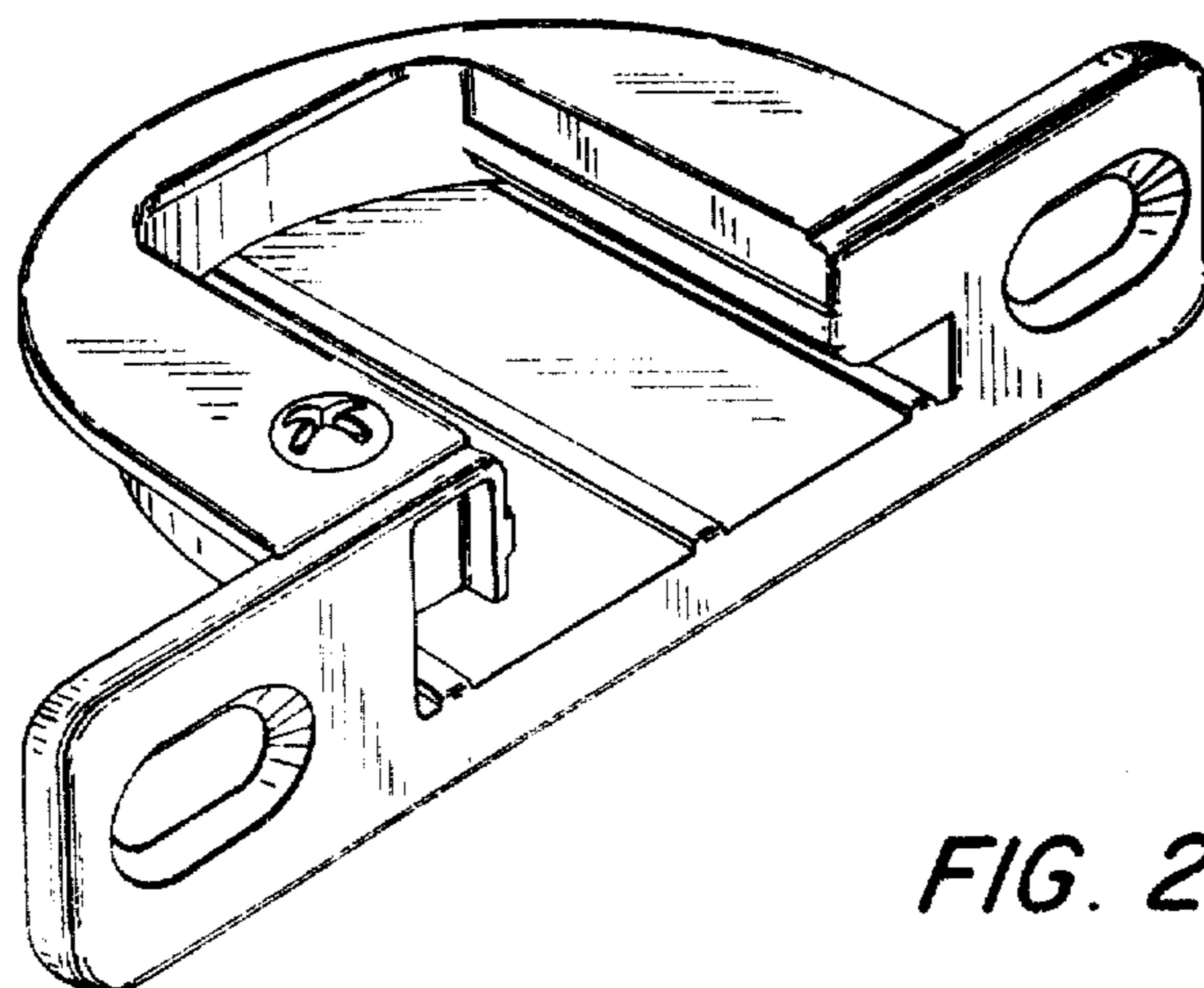


FIG. 2

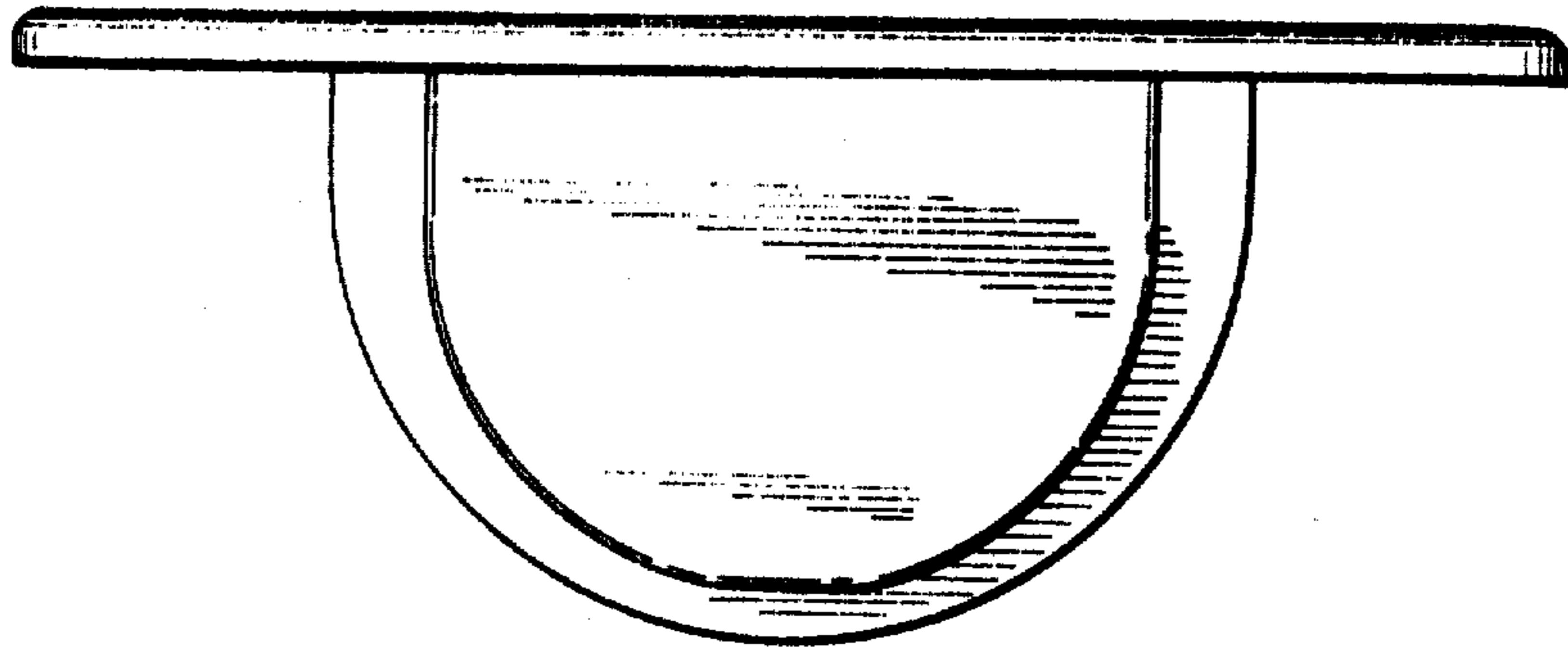


FIG. 3

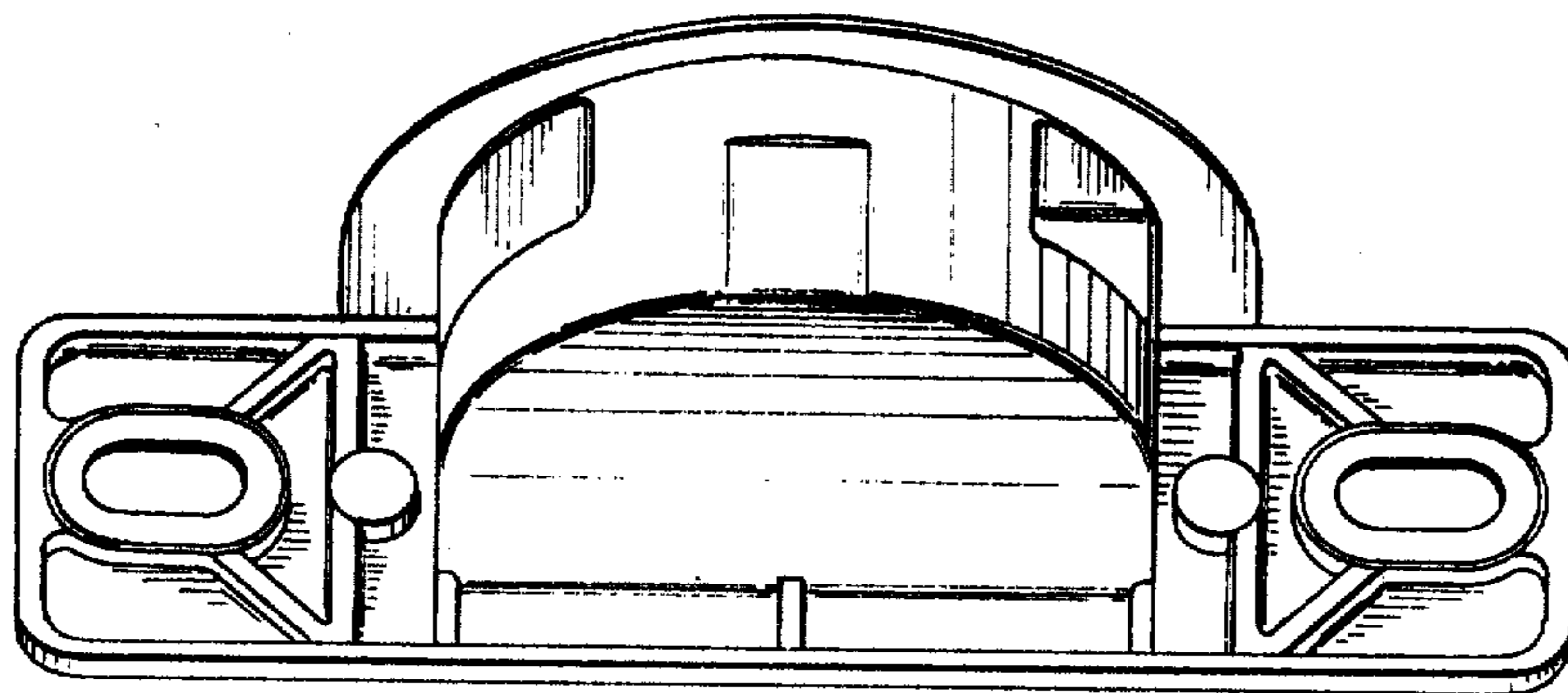


FIG. 4