

[54] BED  
[76] Inventor: James R. Hull, 148 S. Westgate Ave.,  
Los Angeles, Calif. 90049  
[\*\*] Term: 14 Years  
[21] Appl. No.: 234,600  
[22] Filed: Feb. 17, 1981  
[51] Int. Cl. .... D6-01  
[52] U.S. Cl. .... D6/83  
[58] Field of Search ..... D6/13, 79, 81-84,  
D6/198

[56] References Cited  
PUBLICATIONS  
*House and Garden*, 2/75, p. 42, Top Bedstead.  
*Domus*, 2/77, p. 41, Chairs.  
Willow and Reed, Inc., E. Elmhurst, N.Y., "Additions

79" Cat., ©'79, p. directly to right of title p., item #1104, Lounger.

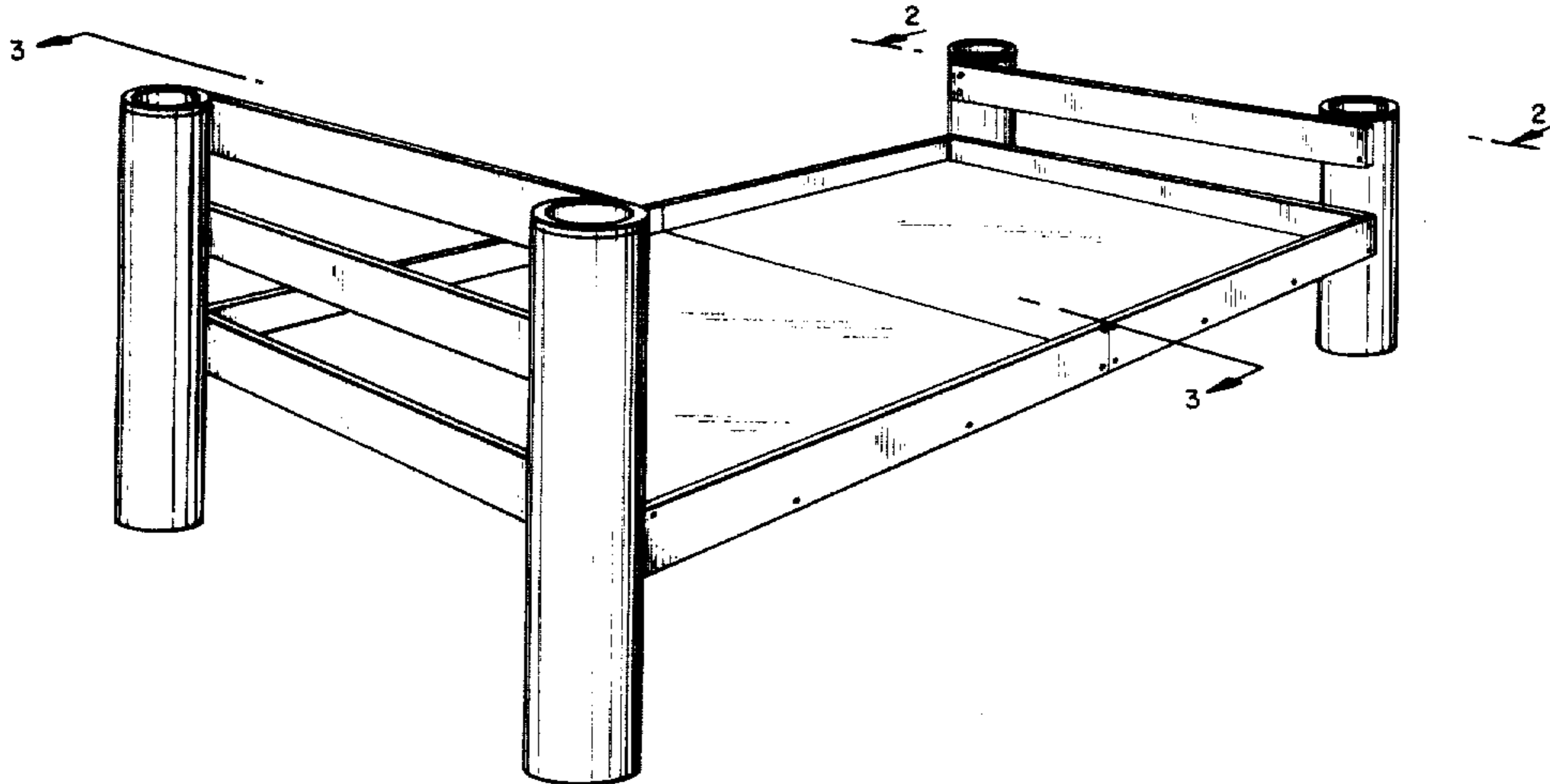
Primary Examiner—Jane E. Corrigan  
Attorney, Agent, or Firm—Keith D. Beecher

[57] CLAIM

The ornamental design for a bed, substantially as shown and described.

DESCRIPTION

FIG. 1 is a front, top and right side perspective view of a bed showing my new design;  
FIG. 2 is a rear elevational view taken along line 2—2; and  
FIG. 3 is a sectional view taken along line 3—3 in FIG. 1.  
The hidden side of the bed is identical to the exposed side.



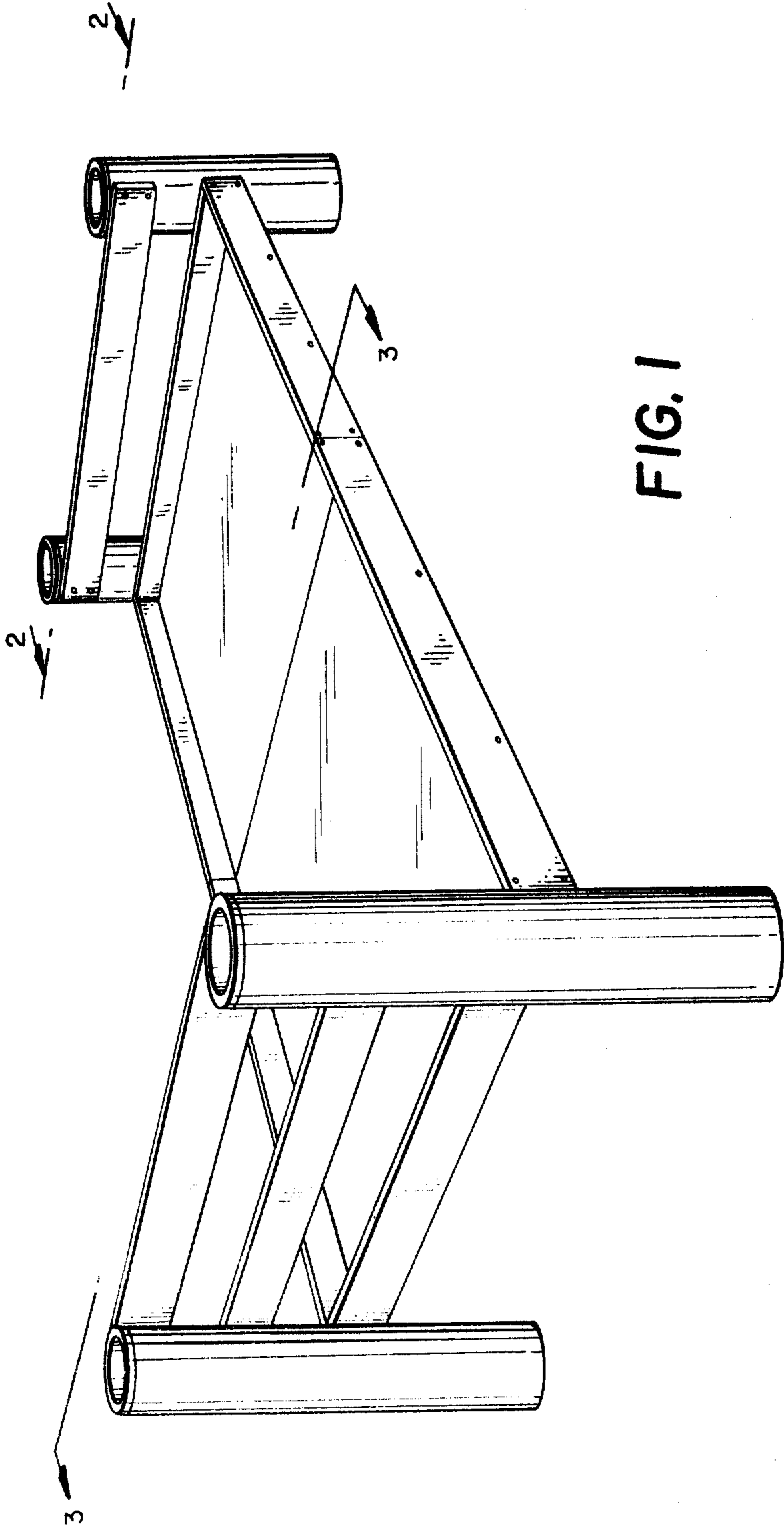
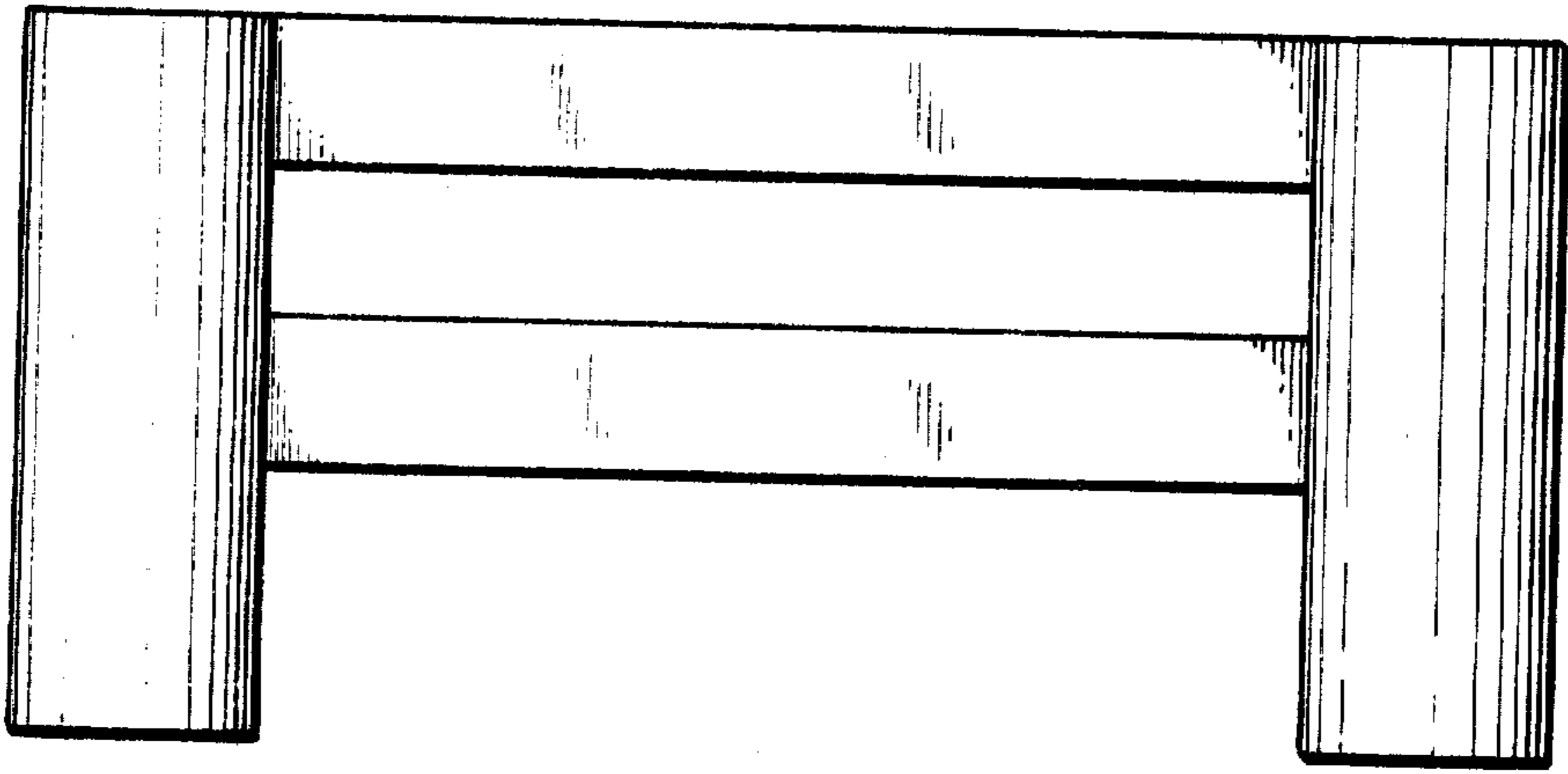
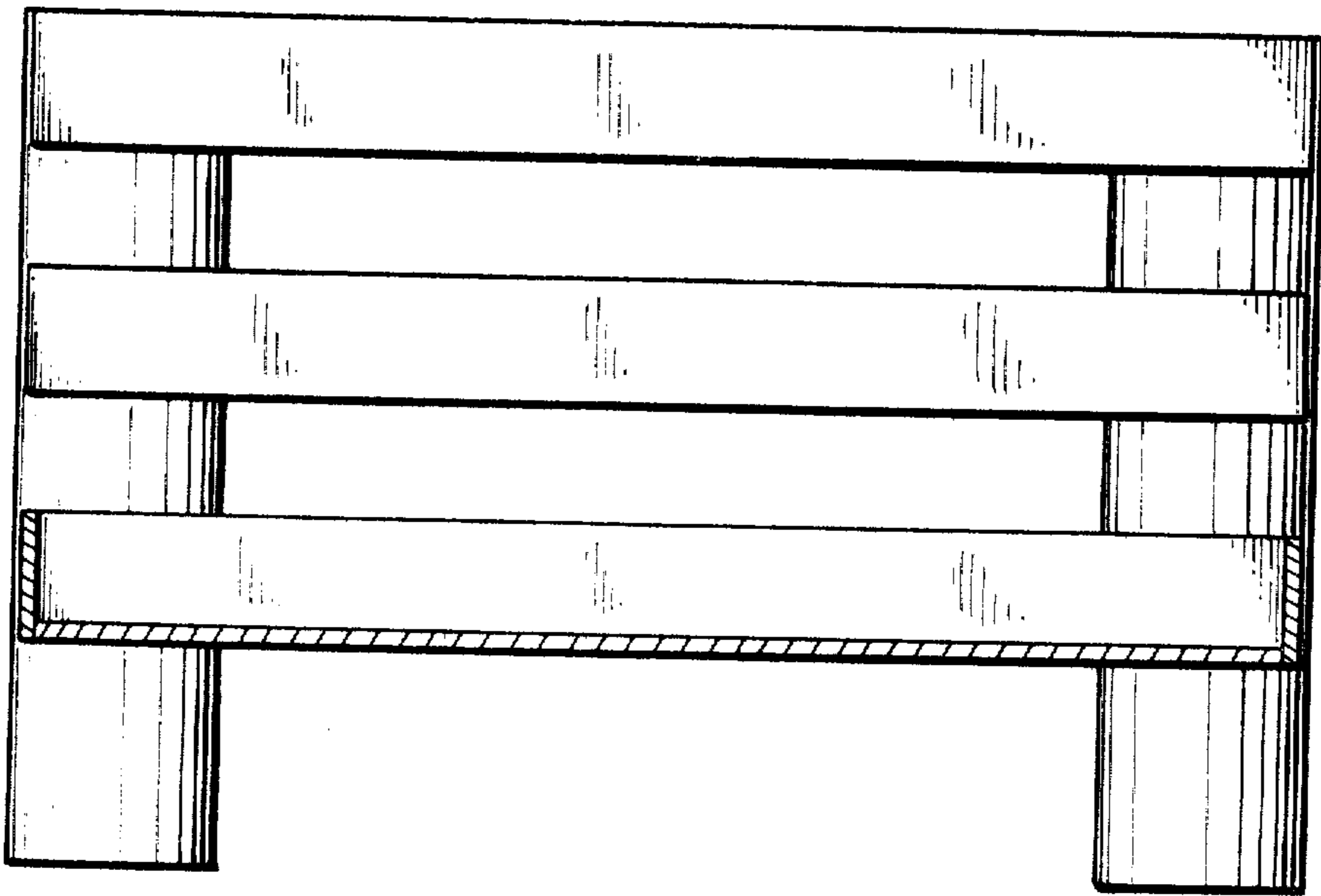


FIG. 1



**FIG. 2**



**FIG. 3**