

[54] CASE FOR JEWELS

4,311,235 1/1982 Titus 206/566

[75] Inventor: Vincent Di Bartolo, Cresskill, N.J.

Primary Examiner—George P. Word
Attorney, Agent, or Firm—Kane, Dalsimer, Kane,
Sullivan and Kurucz

[73] Assignee: Mele Manufacturing Company, Inc.,
Utica, N.Y.

[**] Term: 14 Years

[57] CLAIM

[21] Appl. No.: 211,686

The ornamental design for a case for jewels, as shown
and described.

[22] Filed: Dec. 1, 1980

DESCRIPTION

[51] Int. Cl. D3—02

[52] U.S. Cl. D3/75; D9/341;
D19/35

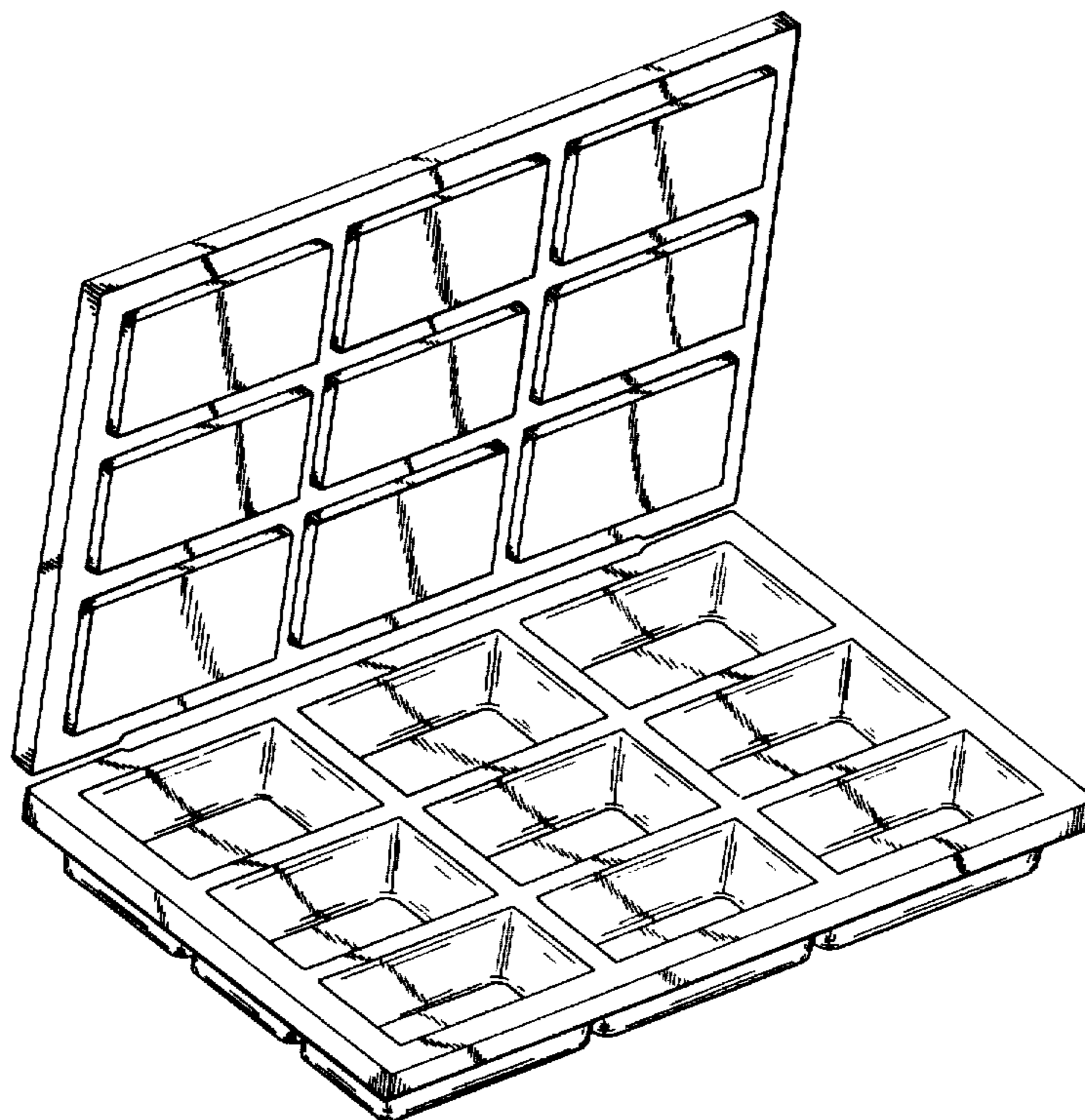
[58] Field of Search D3/74, 75; D9/341;
206/564, 566, 509, 483, 561; D19/35

FIG. 1 is a perspective view of a case for jewels showing
my new design with the lid in an open position;
FIG. 2 is a front elevational view with the lid in a raised
position;
FIG. 3 is a rear elevational view with the lid closing the
case;
FIG. 4 is a cross-sectional view taken along line 4—4 of
FIG. 3;
FIG. 5 is a right side elevational view of FIG. 3;
FIG. 6 is a left side elevational view of FIG. 3;
FIG. 7 is a top plan view of FIG. 3; and
FIG. 8 is a bottom plan view of FIG. 3.

[56] References Cited

U.S. PATENT DOCUMENTS

- D. 227,680 7/1973 Schumann D9/341
- D. 237,841 11/1975 Di Bartolo D3/75
- D. 263,681 4/1982 Parr D9/341



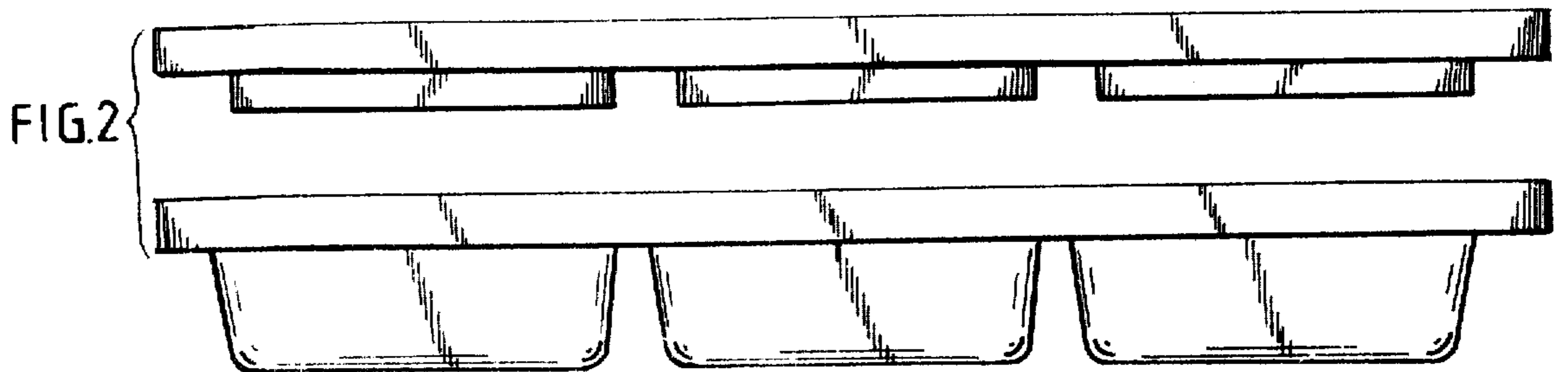
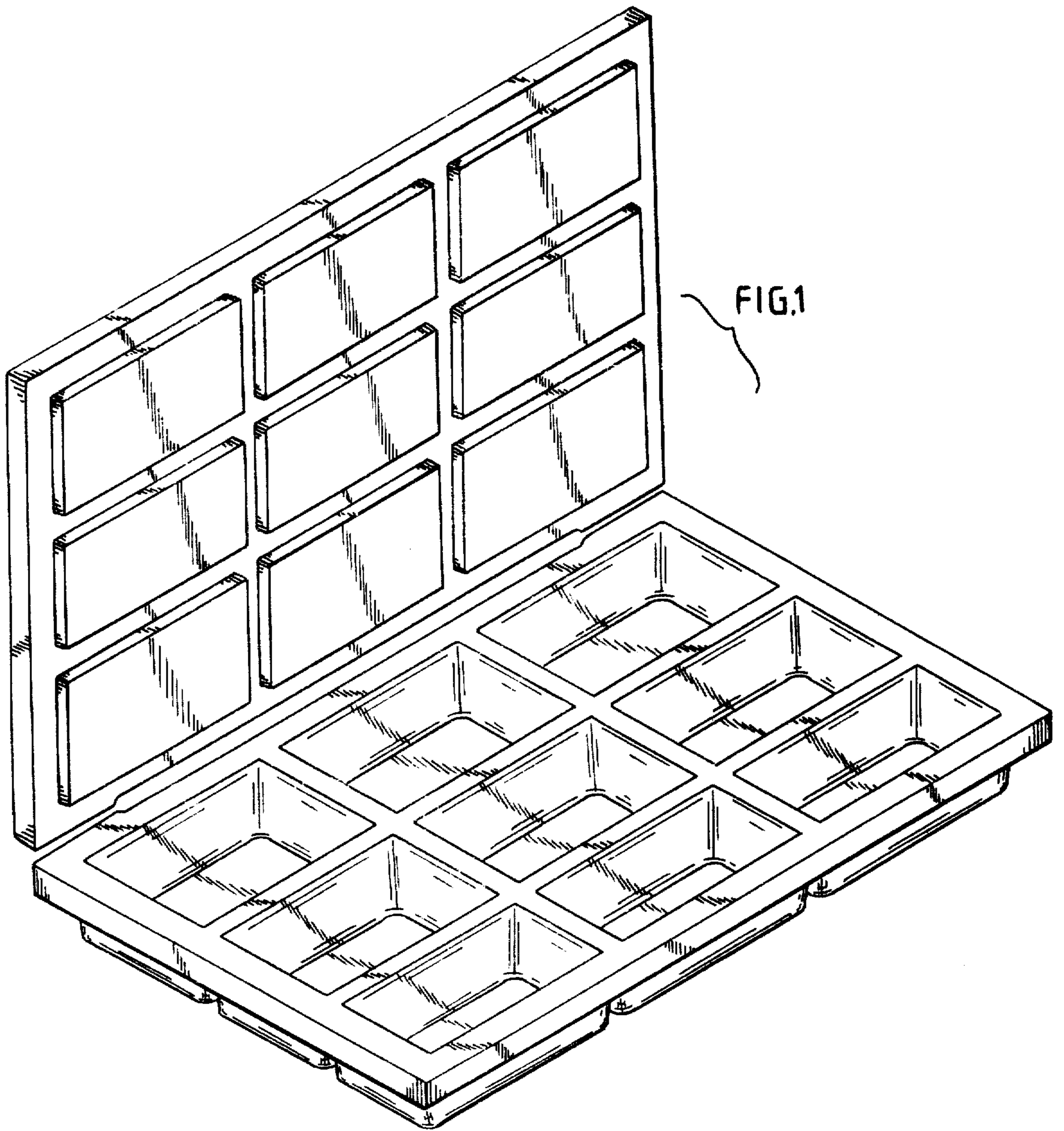


FIG.7

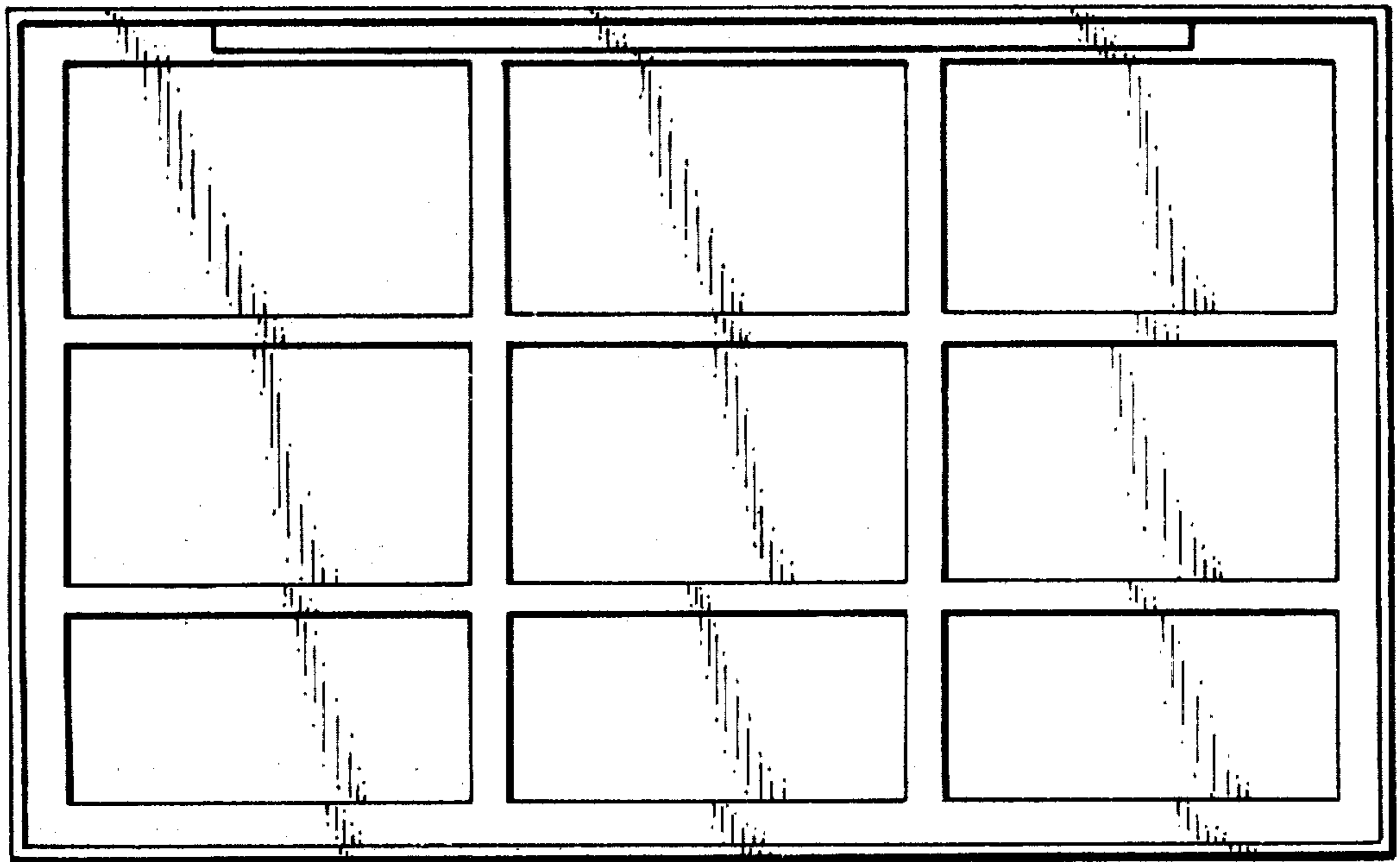


FIG.5

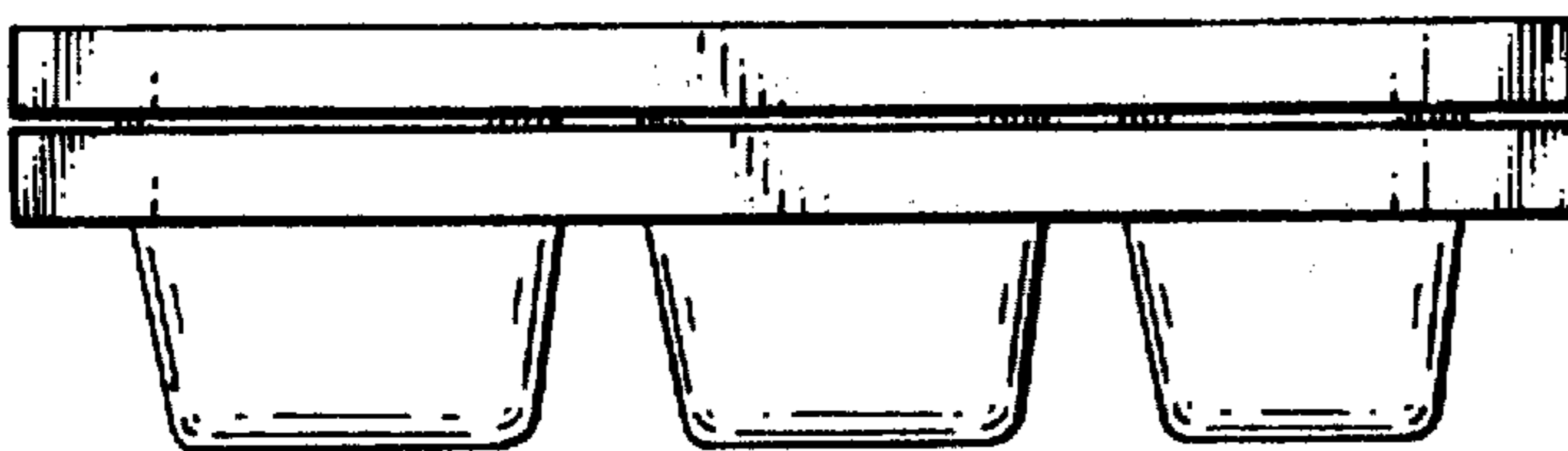


FIG.3

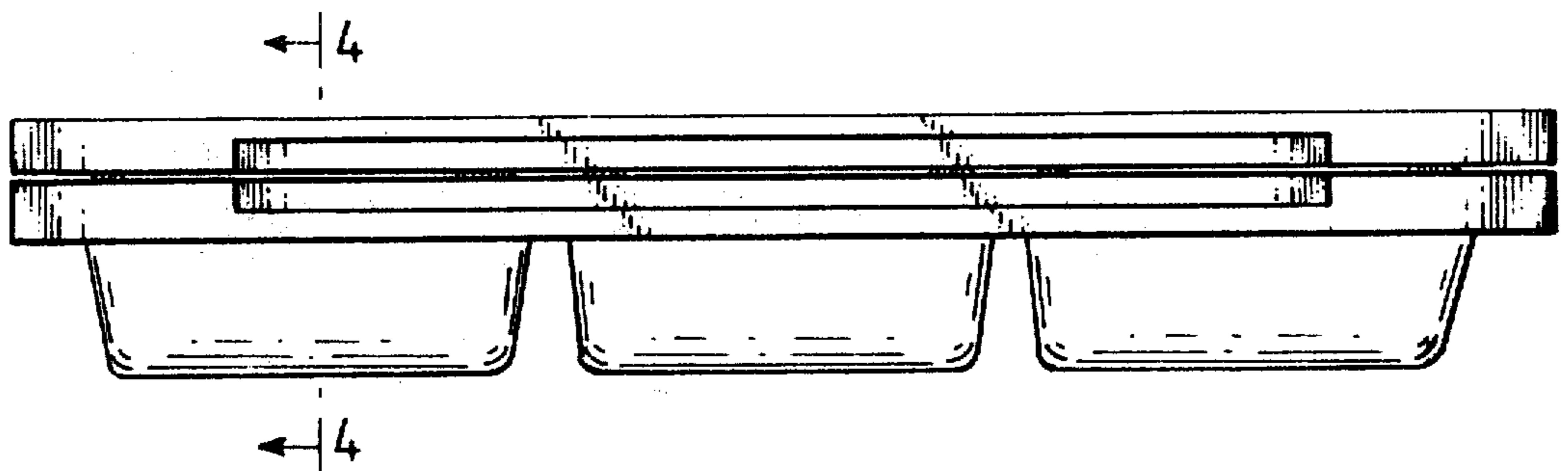


FIG.8

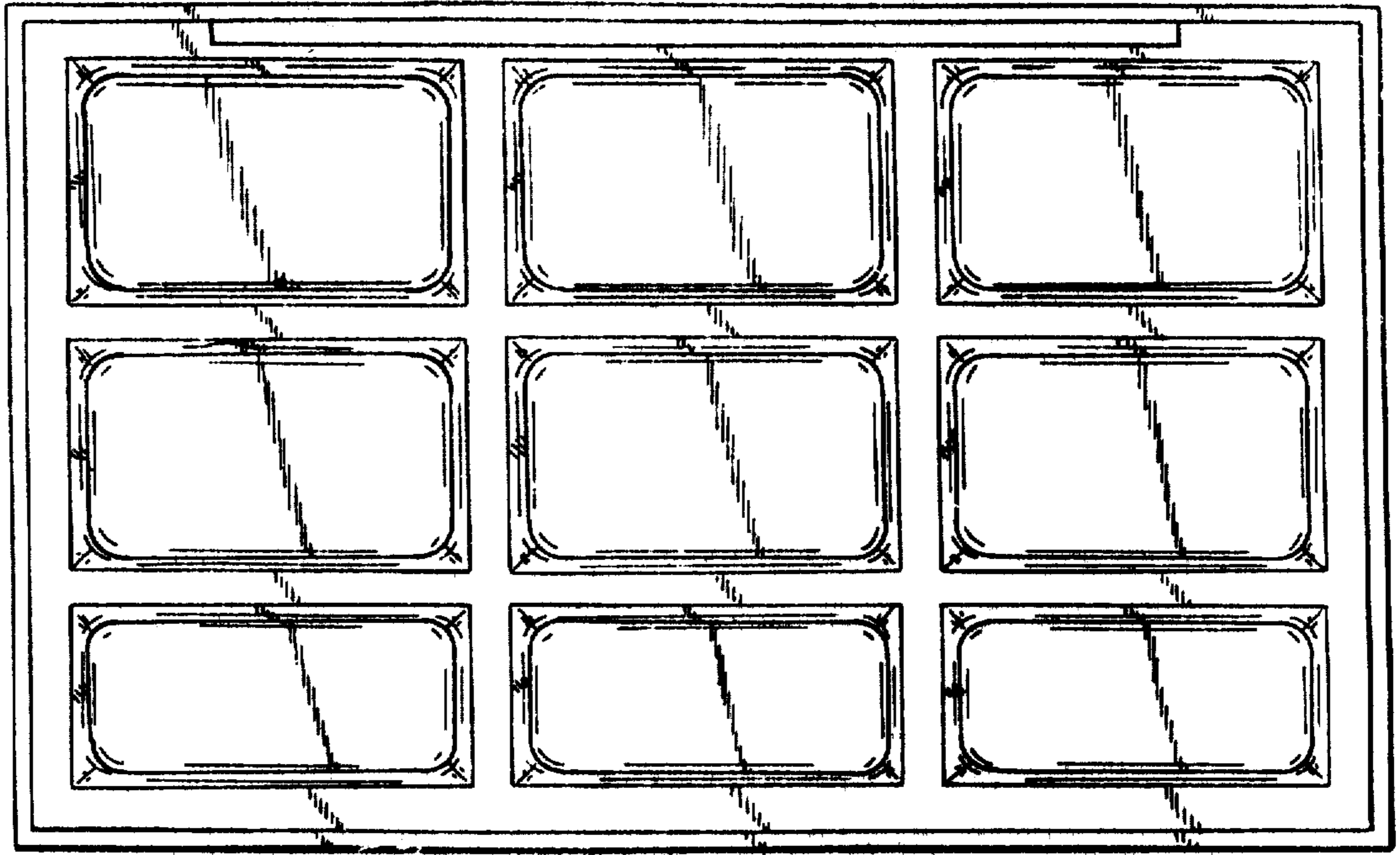


FIG.6

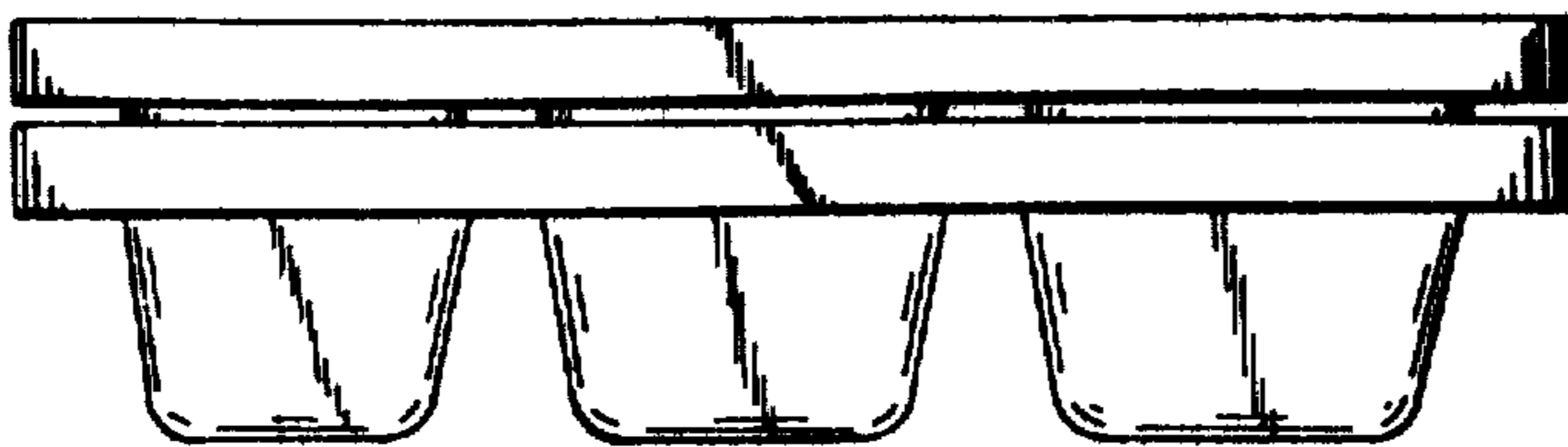


FIG.4

