

[54] **FIREWOOD CARRIER**

[76] Inventor: **Linda K. Ring**, 12396 James Rd.,  
Minnetonka, Minn. 55343

[\*\*] Term: **14 Years**

[21] Appl. No.: **234,162**

[22] Filed: **Feb. 13, 1981**

[51] Int. Cl. .... **D3-02**

[52] U.S. Cl. .... **D3/30.1**

[58] Field of Search ..... 294/1 R, 137, 149, 151,  
294/152, 153, 154, 156; 150/0.5, 29, 45-49;  
D3/30.1; D23/138.5

[56] **References Cited**

**U.S. PATENT DOCUMENTS**

|            |         |            |       |           |
|------------|---------|------------|-------|-----------|
| D. 267,442 | 1/1983  | Anderson   | ..... | D3/30.1   |
| 2,512,101  | 6/1950  | Hack       | ..... | 150/49    |
| 3,481,519  | 12/1969 | Snetsellar | ..... | 294/153 X |
| 4,119,250  | 10/1978 | Brutlag    | ..... | 294/149   |
| 4,209,116  | 6/1980  | Hendricks  | ..... | 294/156 X |

*Primary Examiner*—Catherine E. Kemper  
*Attorney, Agent, or Firm*—Burd, Bartz & Gutenkauf

[57] **CLAIM**

The ornamental design for a firewood carrier, substantially as shown and described.

**DESCRIPTION**

FIG. 1 is a perspective view of a firewood carrier of my new design in the open position thereof;

FIG. 2 is a perspective view of the firewood carrier of FIG. 1 in the closed position;

FIG. 3 is a reduced scale front elevational view of the firewood carrier of FIG. 1;

FIG. 4 is a top plan view of FIG. 3;

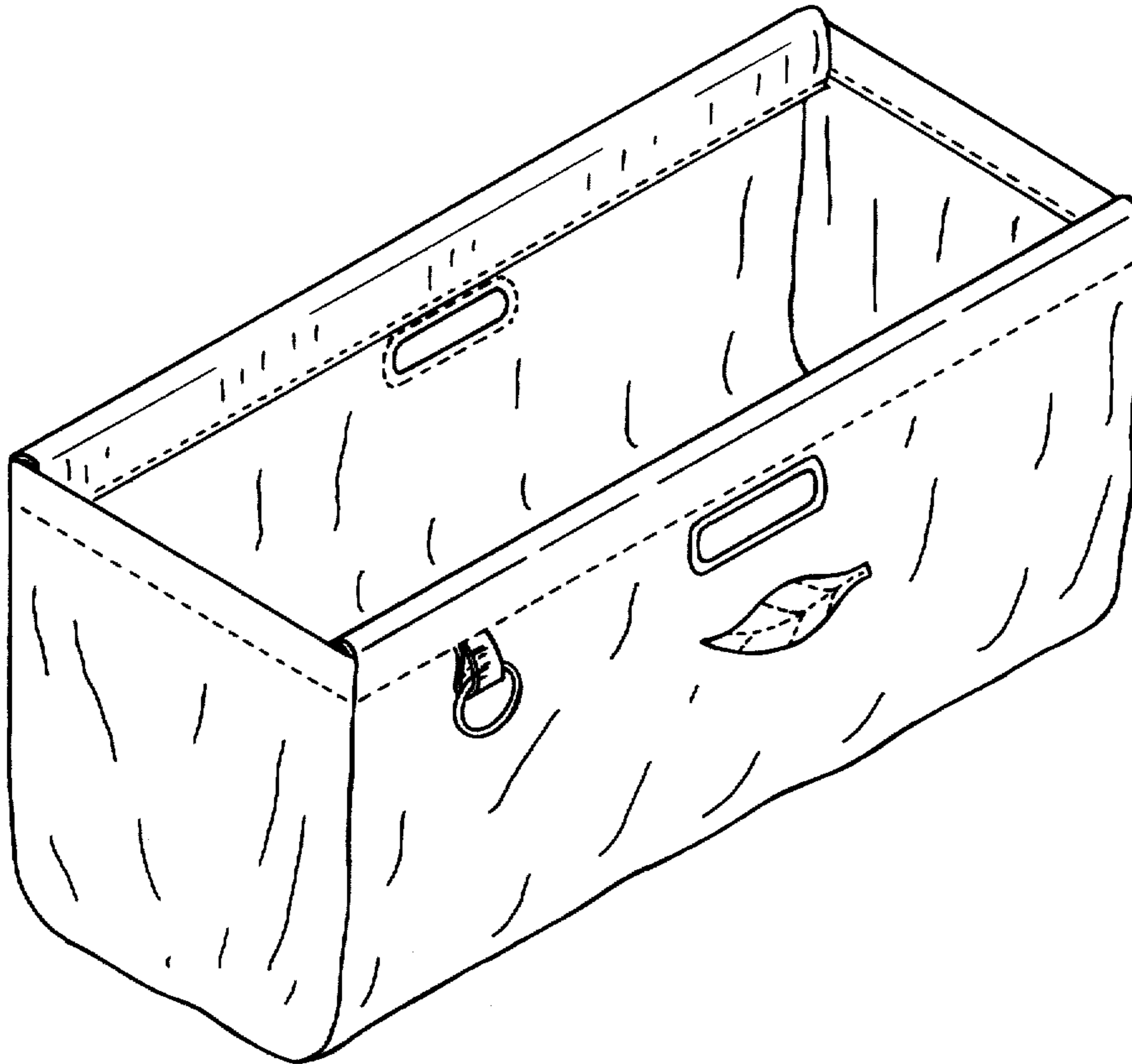
FIG. 5 is a bottom plan view of FIG. 3;

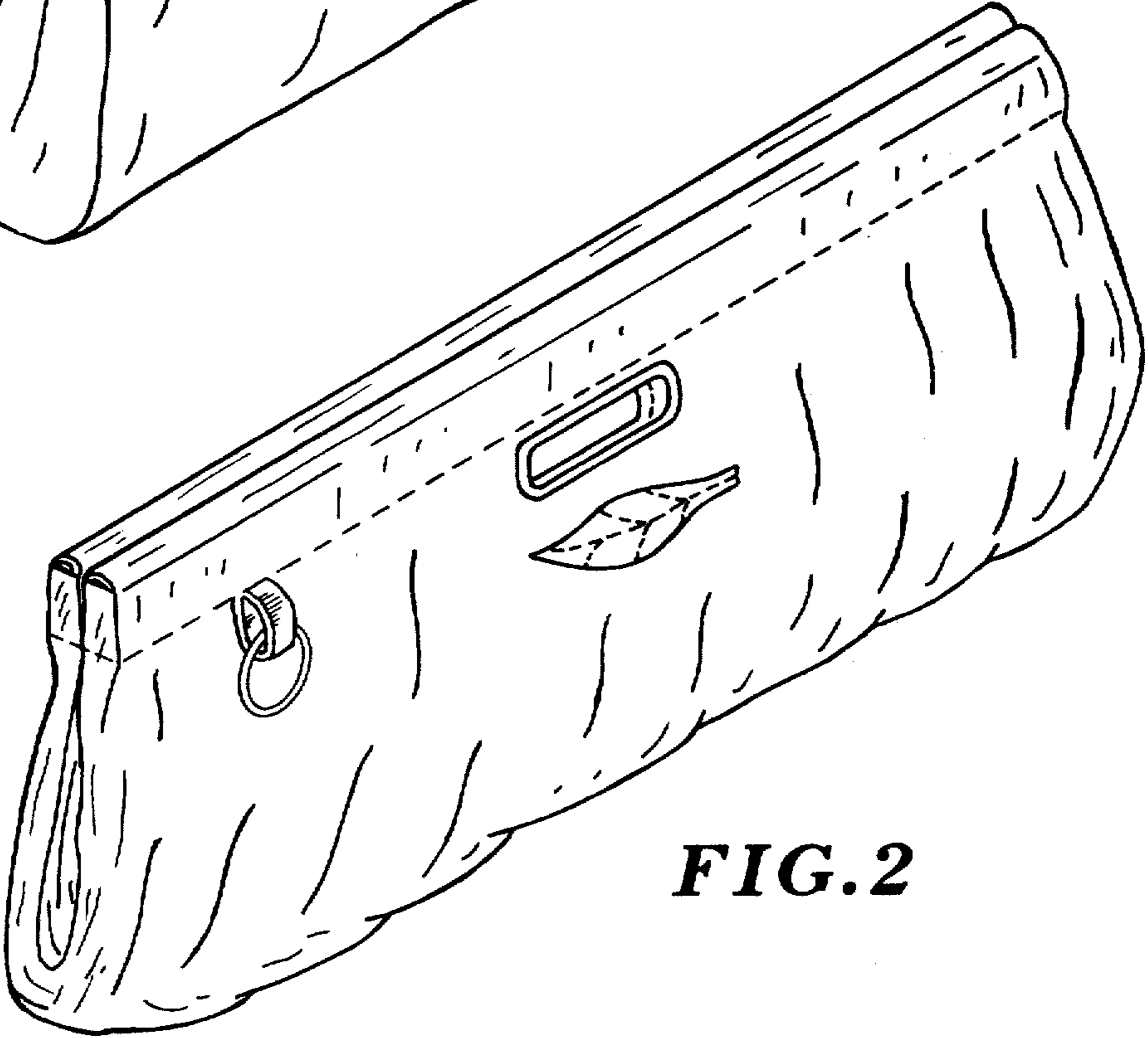
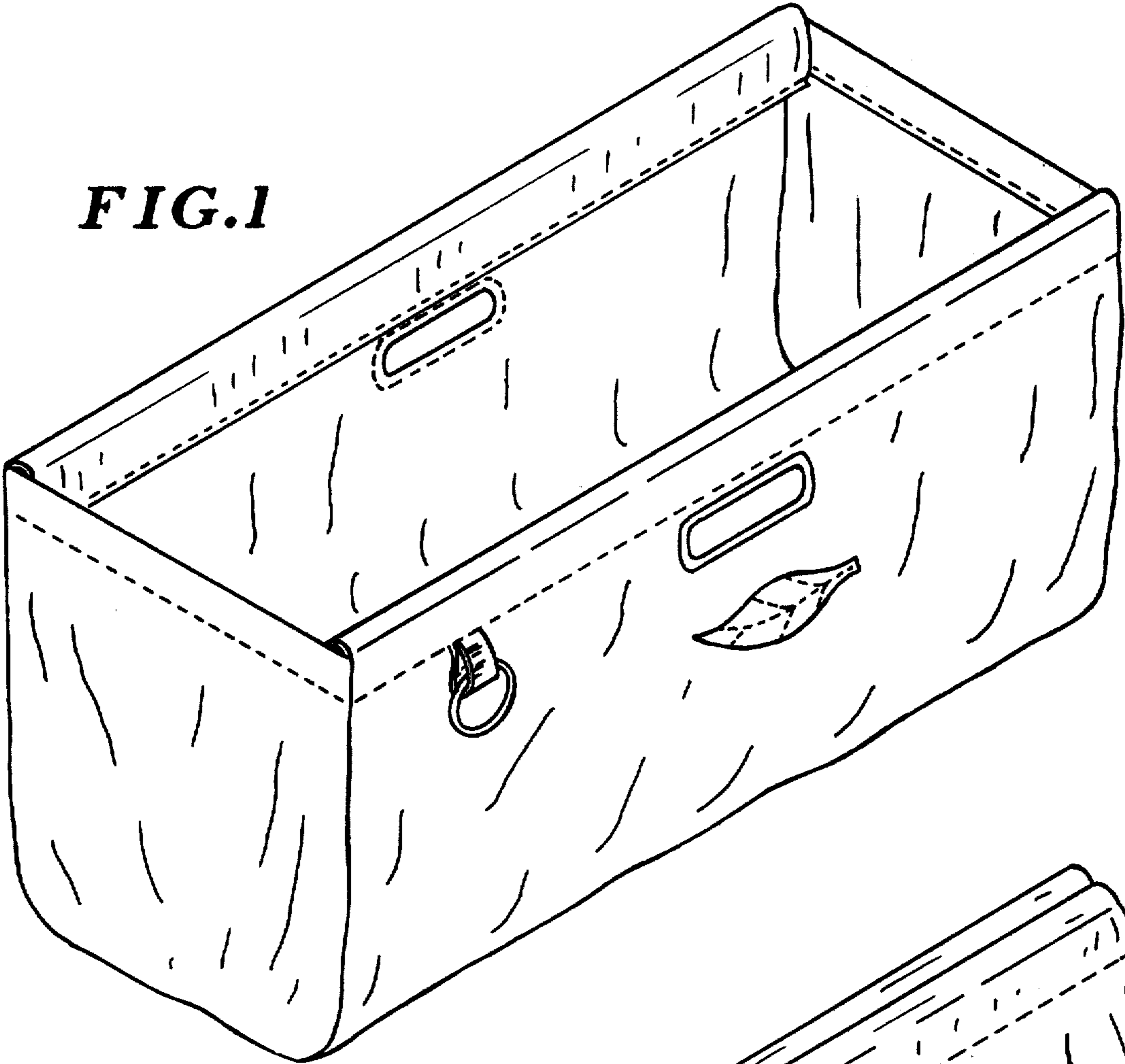
FIG. 6 is an end elevational view of the right end of FIG. 3, the left end of FIG. 3 being a mirror image thereof;

FIG. 7 is a rear elevational view of FIG. 3;

FIG. 8 is a sectional view taken along the line 8—8 of FIG. 7; and

FIG. 9 is an enlarged fragmentary perspective view of the upper corner section of the firewood carrier.





**FIG.2**

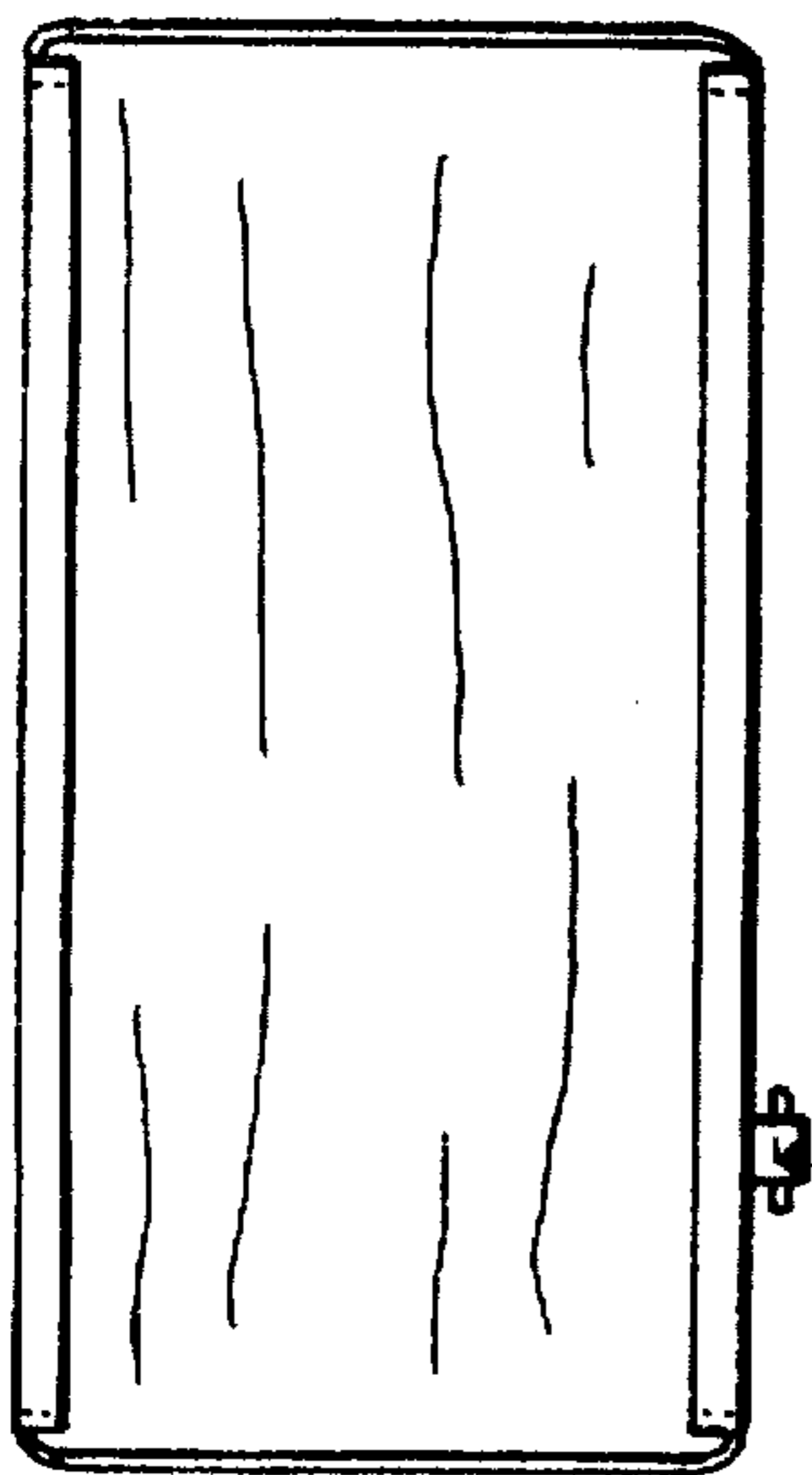


FIG. 4

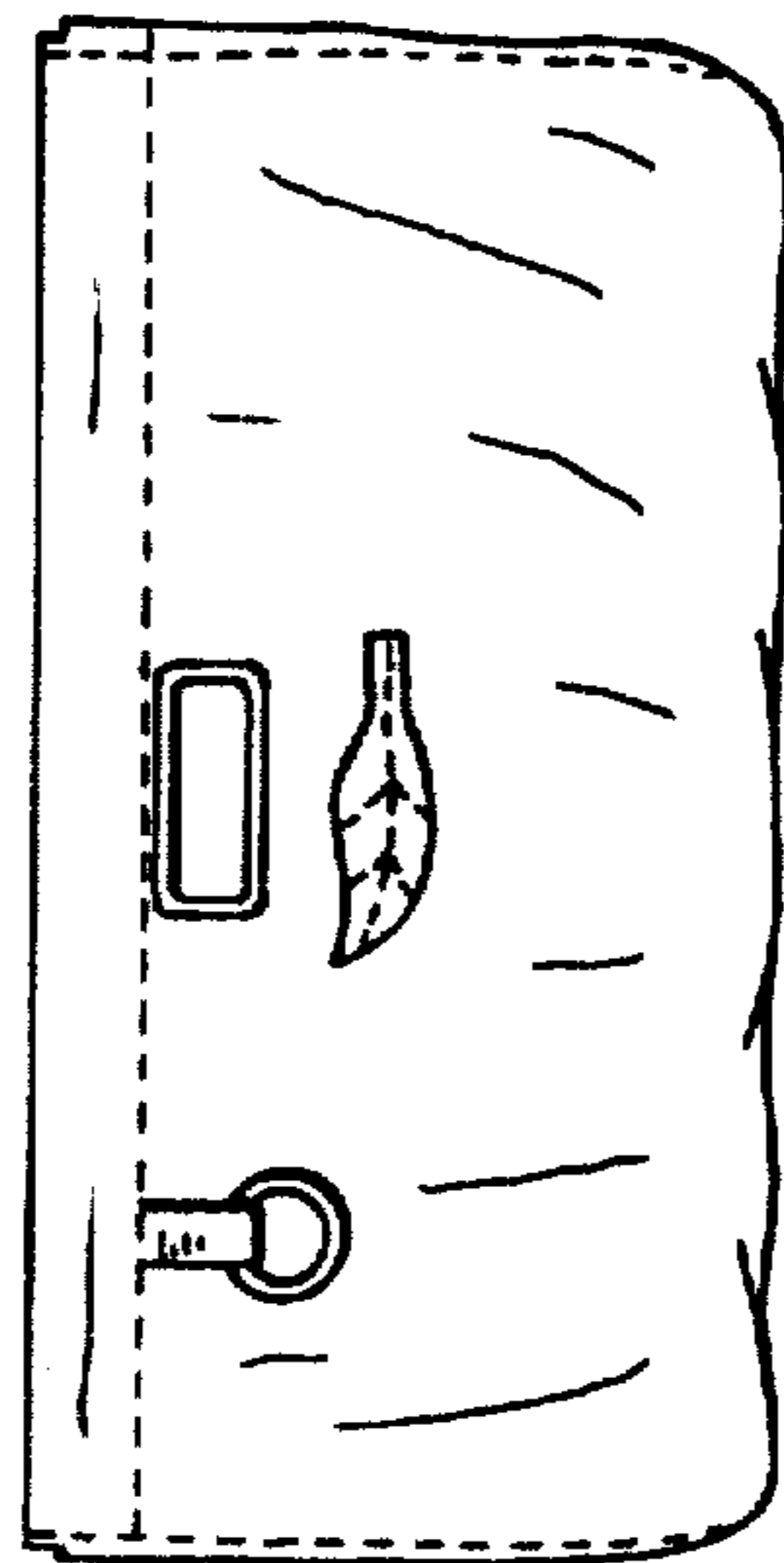


FIG. 3

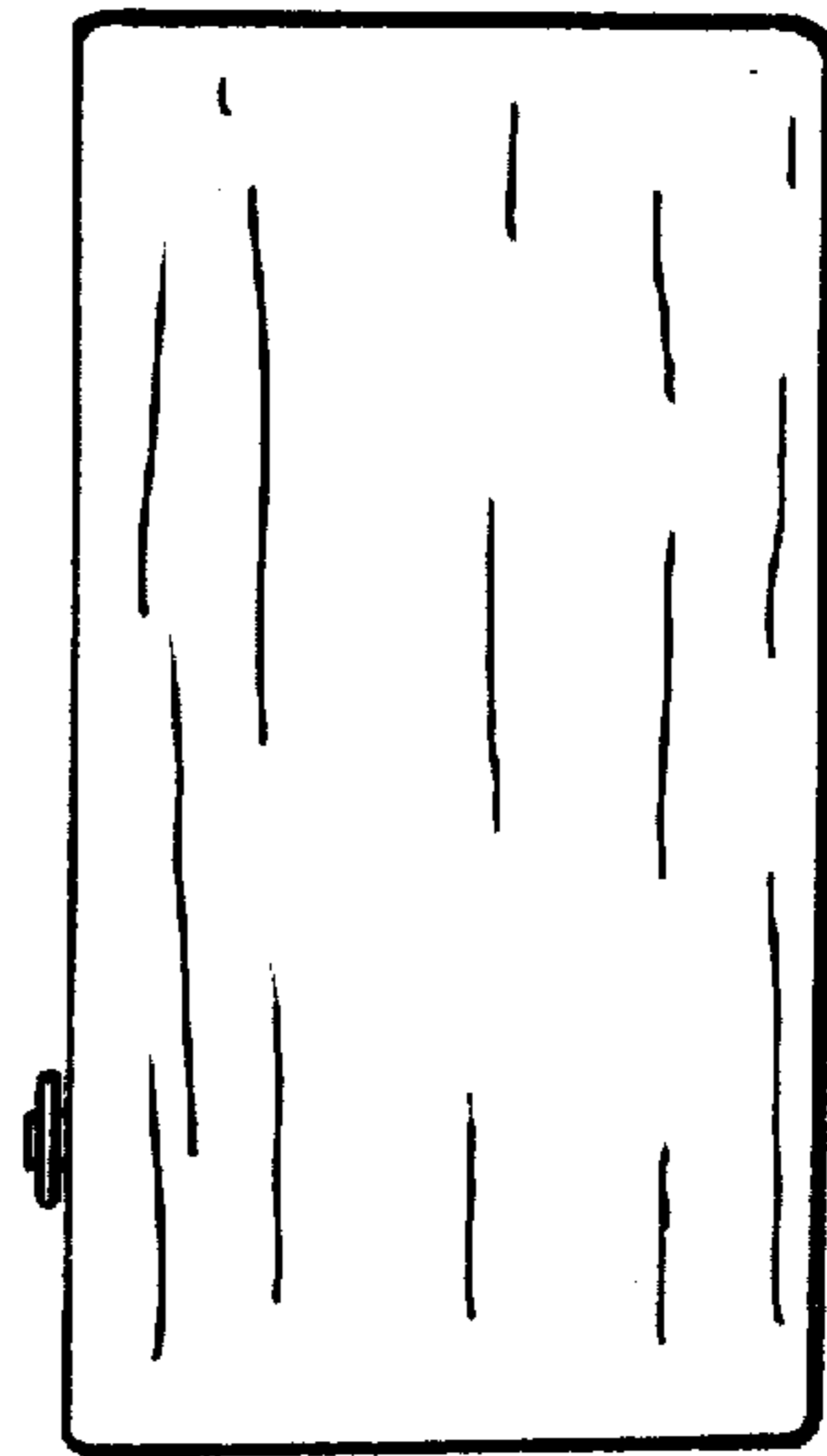


FIG. 5

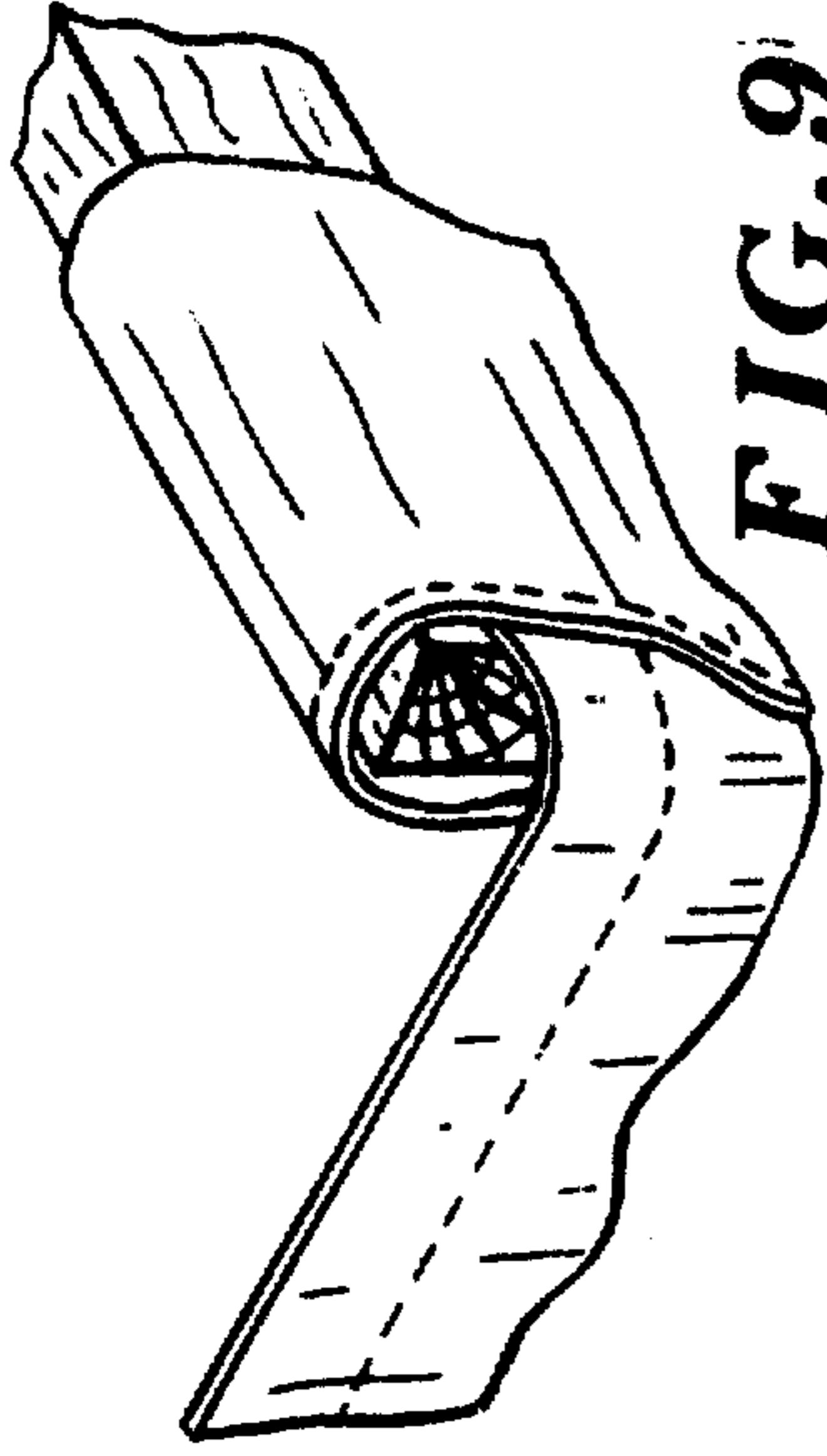


FIG. 9

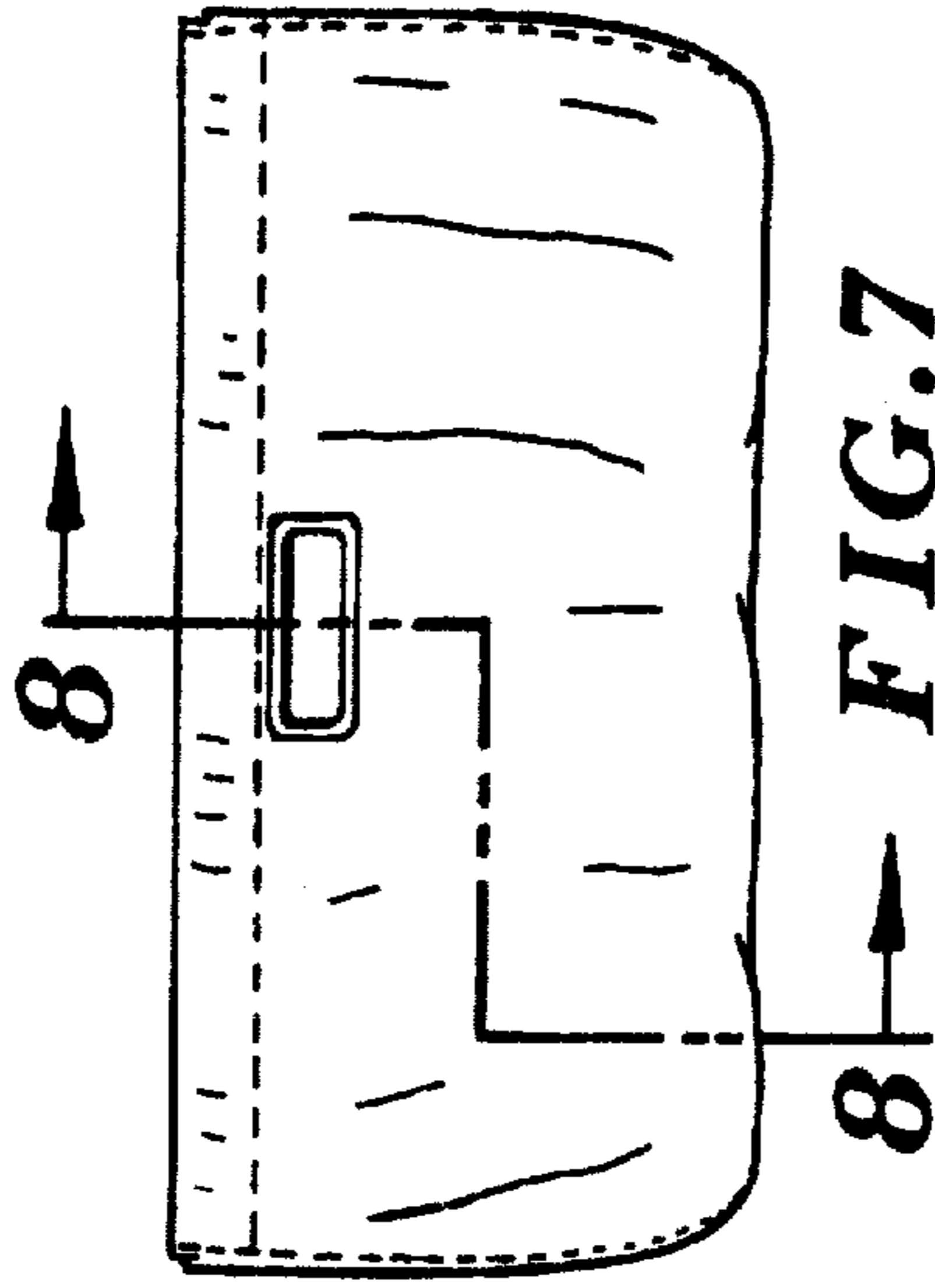


FIG. 7

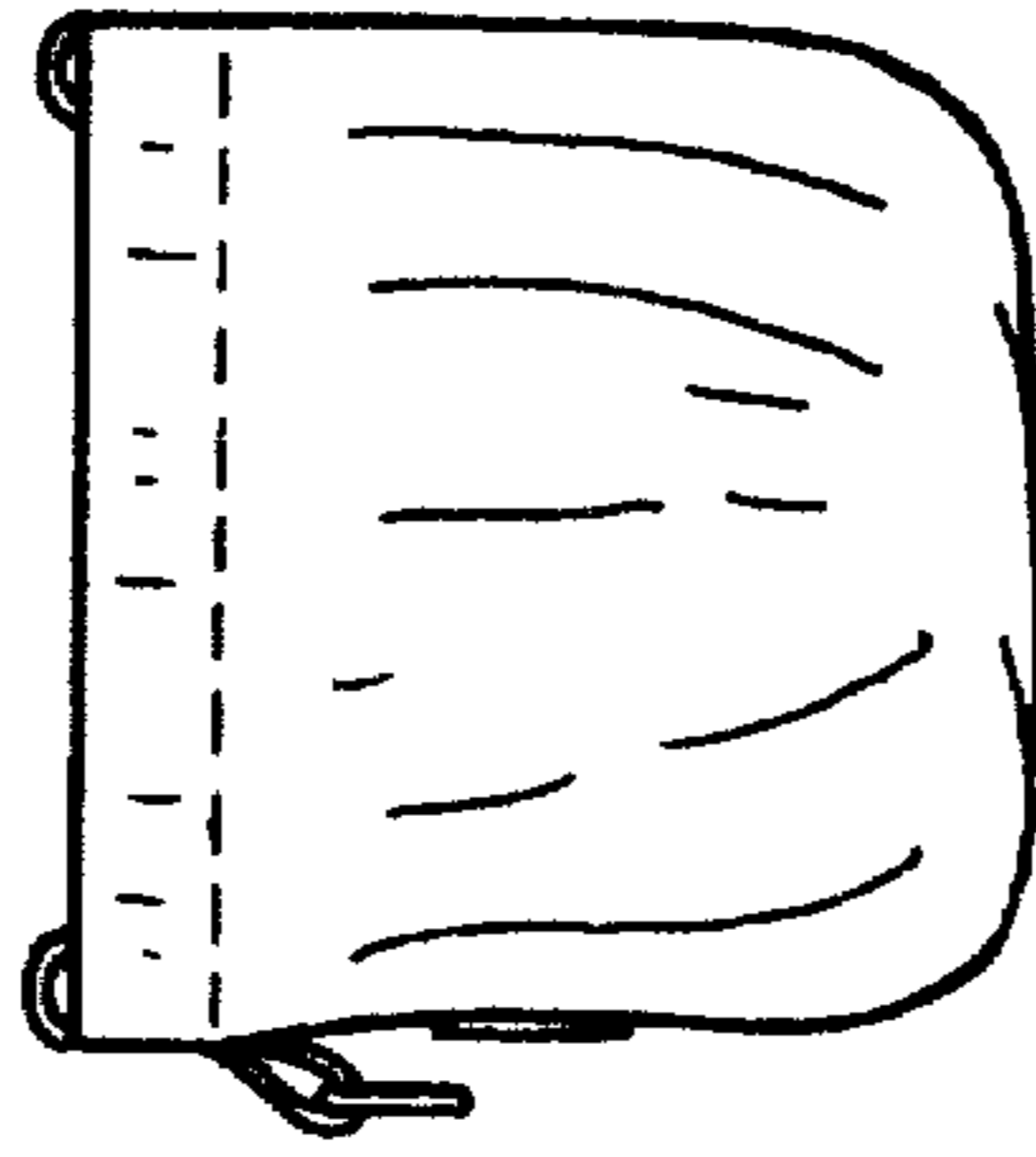


FIG. 6

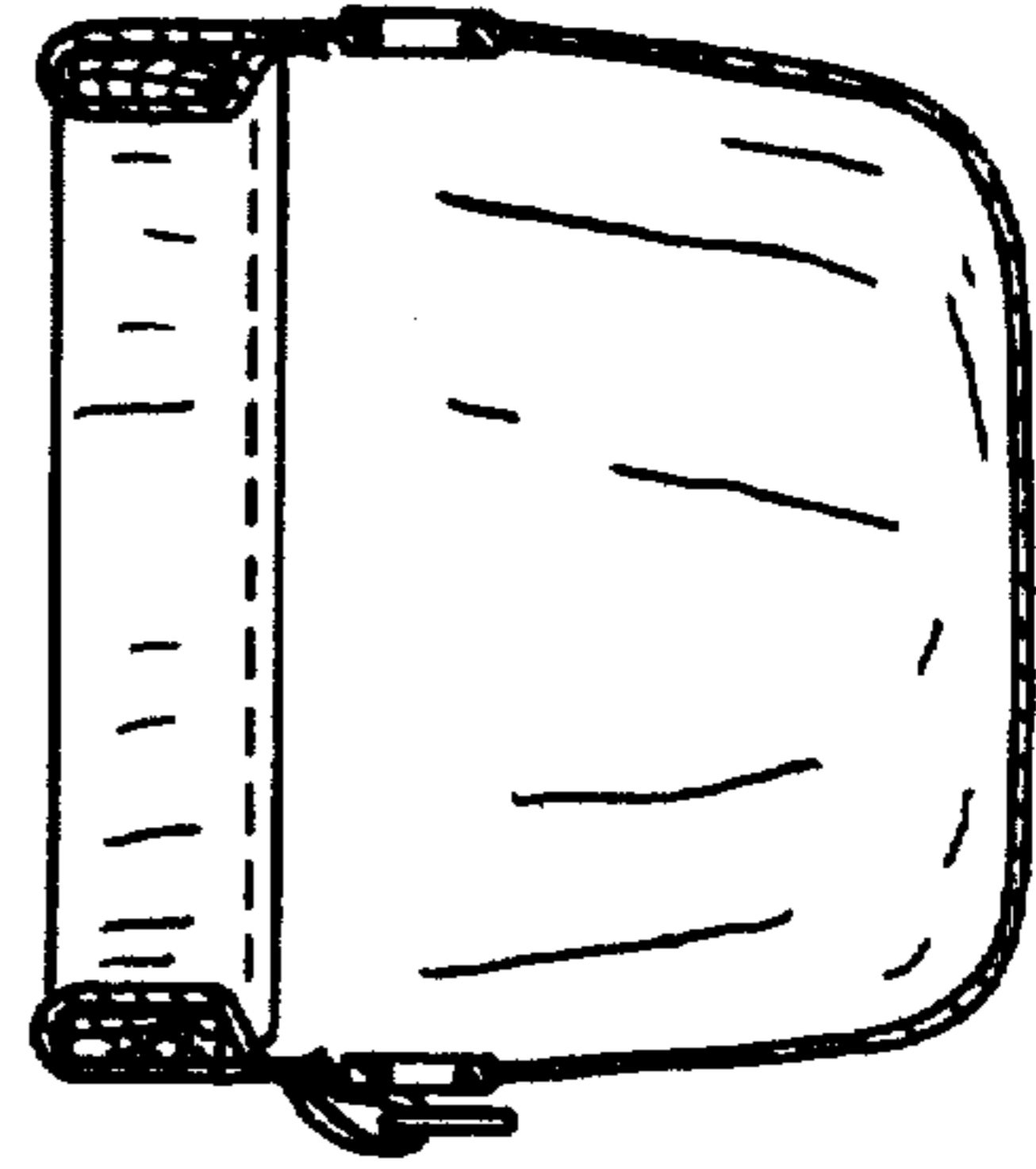


FIG. 8