

[54] PET LITTER TRAY

[76] Inventors: Gary S. Webb, 111 Bay Shore Blvd. #A-1; Wesley Vermillion, 360 Bay Shore Blvd. #102, both of Clearwater, Fla. 33519

[**] Term: 14 Years

[21] Appl. No.: 187,213

[22] Filed: Sep. 15, 1980

[51] Int. Cl. D30-99

[52] U.S. Cl. D30/99

[58] Field of Search D9/418, 456, 425; D34/40-46; D7/47, 37, 38; 206/557, 561; D30/41, 99; 119/1

[56] References Cited

U.S. PATENT DOCUMENTS

- D. 229,009 11/1973 Dolby et al. D7/38
- D. 229,486 12/1973 Roper D7/37 X
- D. 229,708 12/1973 Dugan-Chapman D7/37 X
- D. 246,751 12/1977 Yonkers D7/37 X

- D. 258,711 3/1981 Baker et al. D7/37
- D. 260,568 9/1981 Cherry D34/40
- 3,640,209 2/1972 Wilson D7/96
- 3,793,988 2/1974 Traeger 119/1
- 3,827,401 8/1974 Franzl D30/99 X
- 3,877,603 4/1975 Holz D7/38 X
- 4,279,217 7/1981 Behringer 119/1
- 4,325,822 4/1982 Miller 119/1 X

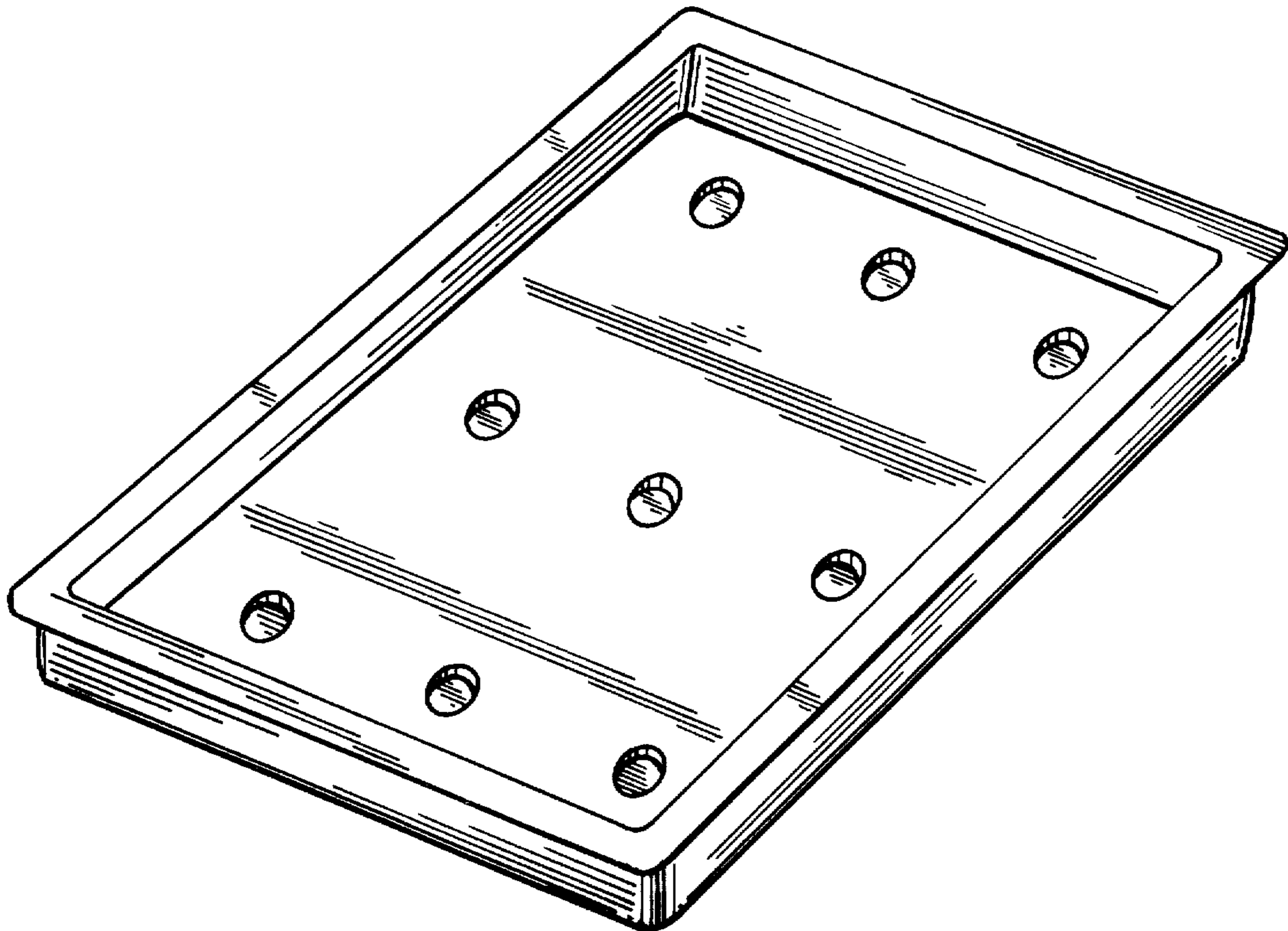
Primary Examiner—Robert C. Spangler
Attorney, Agent, or Firm—Frijouf, Rust & Pyle

[57] CLAIM

The ornamental design for a pet litter tray, as shown and described.

DESCRIPTION

FIG. 1 is a top perspective view of our new pet litter tray showing our new design; FIG. 2 is an end view thereof; FIG. 3 is a side view thereof; FIG. 4 is a plan view; FIG. 5 is a bottom view; and FIG. 6 is a fragmentary sectional view taken on the line 6-6 of FIG. 4.



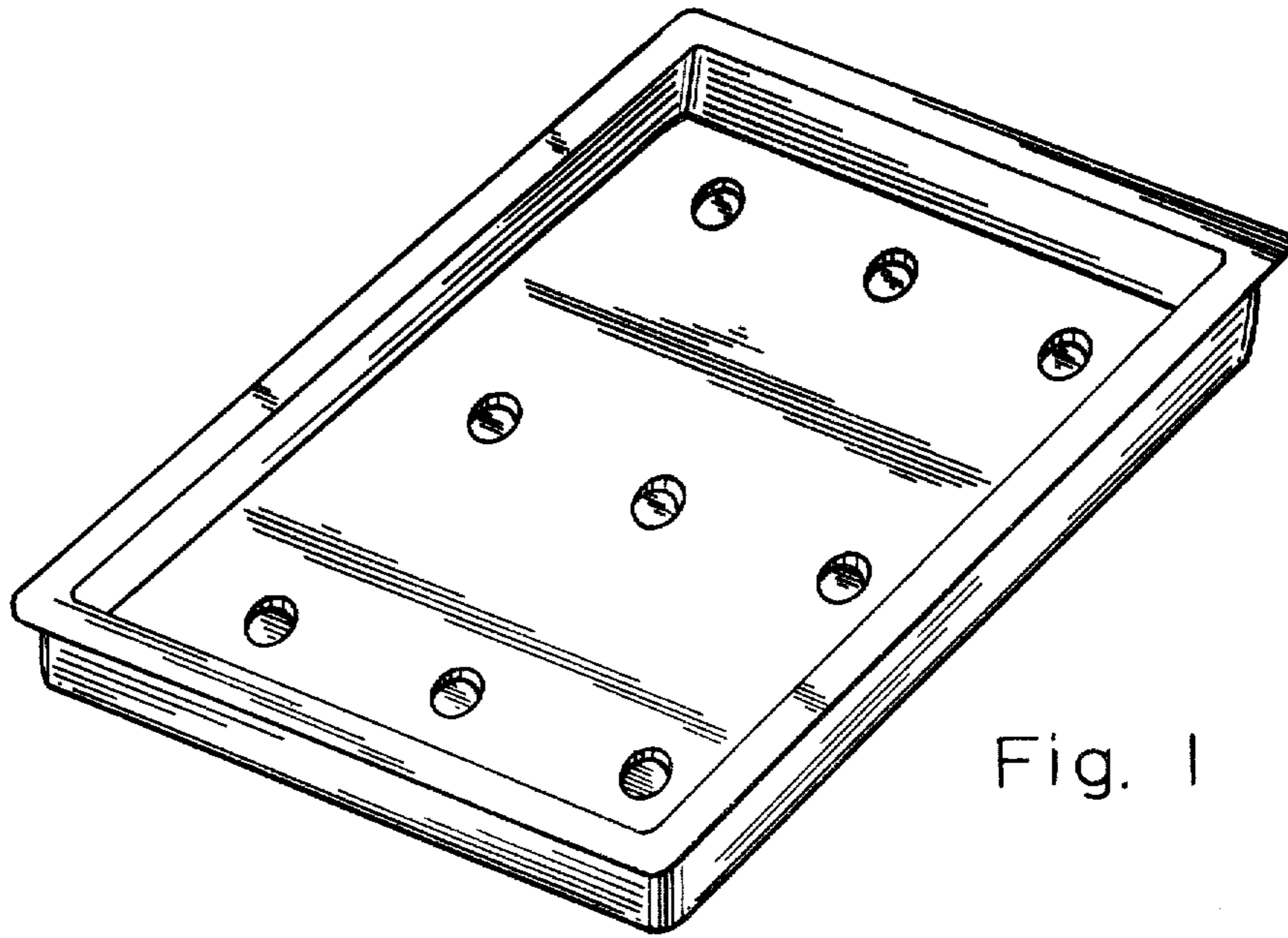


Fig. 1

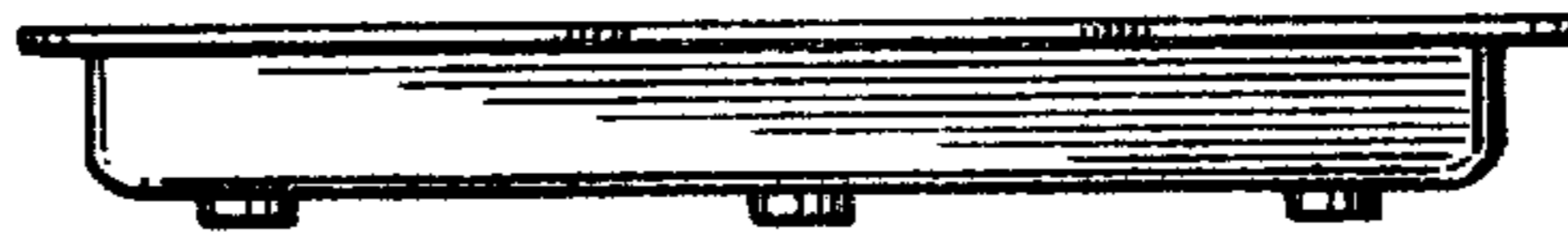


Fig. 2



Fig. 3

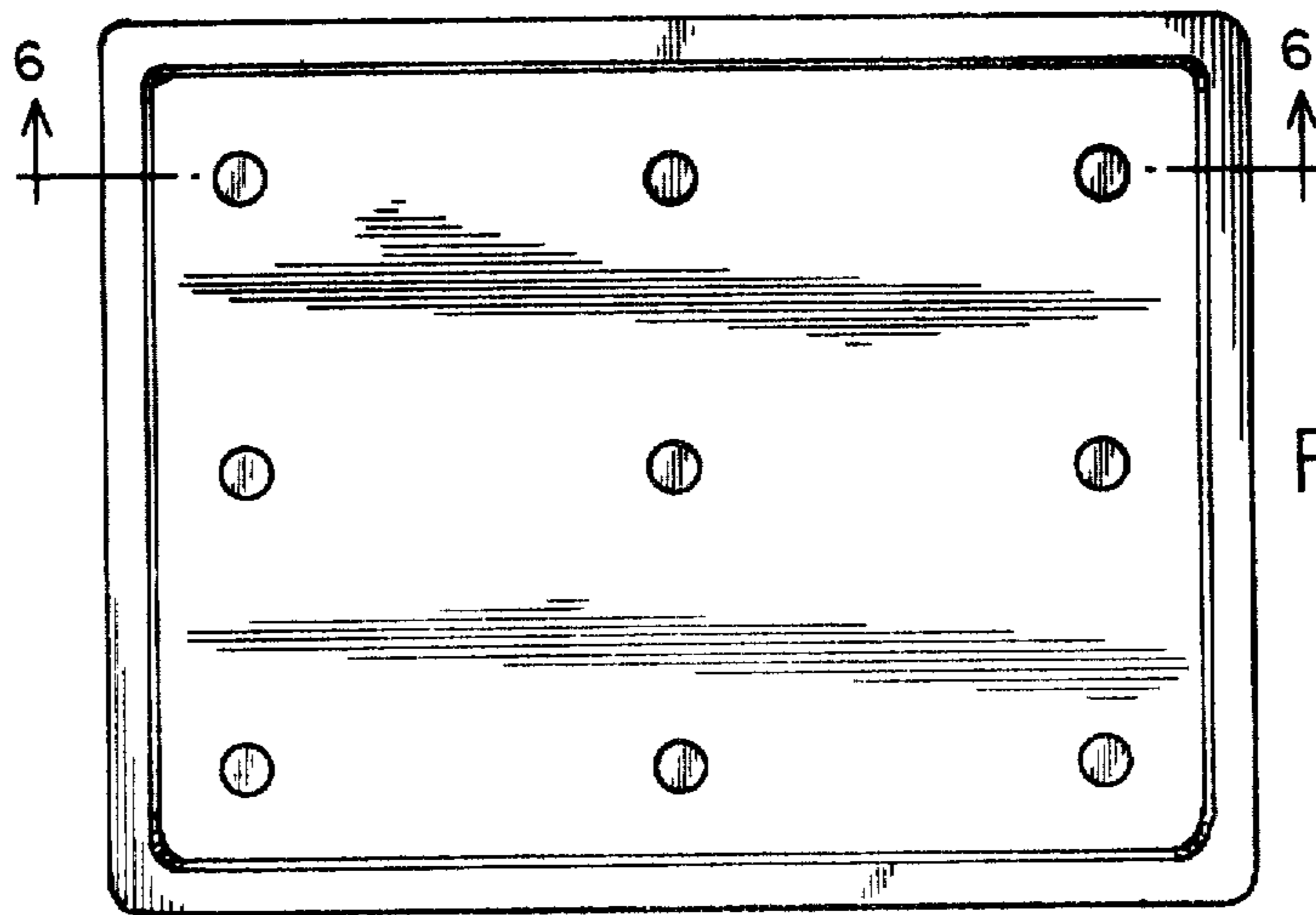


Fig. 4

FIG. 5

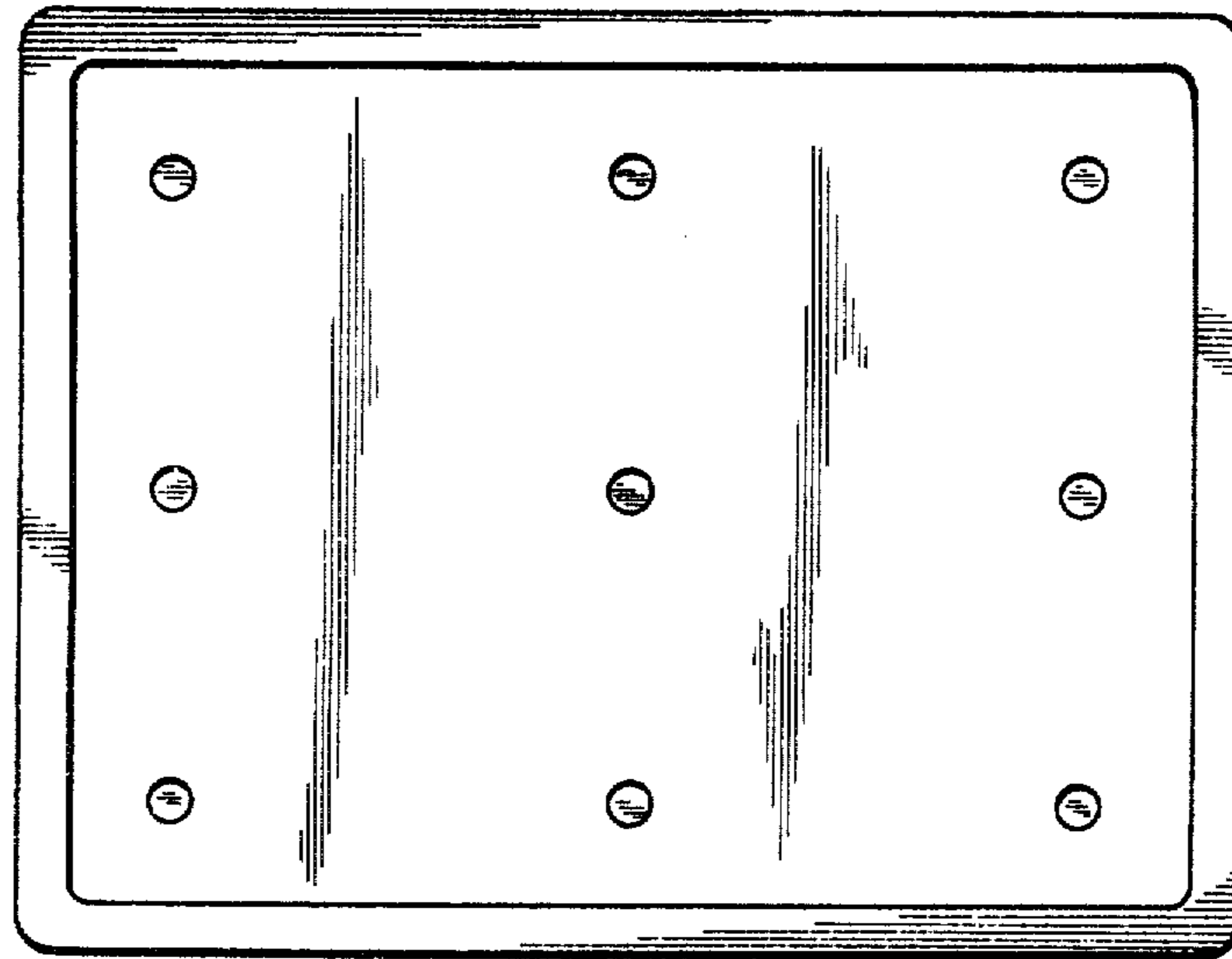


FIG. 6