

[54] MAKEUP CONSOLE

[76] Inventor: Henry Orenstein, 136 Lakeside Ave., Verona, N.J. 07044

[**] Term: 14 Years

[21] Appl. No.: 322,410

[22] Filed: Nov. 18, 1981

[51] Int. Cl. D28-03

[52] U.S. Cl. D28/99; D28/68

[58] Field of Search D28/4, 9, 38, 61, 67, D28/73, 76, 77, 99, 68; D3/39, 74; 206/385, 581, 823, 557, 45, 18; 132/1 R, 77 R-79 D, 82 R, 82 A, 82 S, 83 R, 83 B-83 F; 362/136, 137; D10/2, 15; D19/16; D14/71, 73; D6/181, 186, 188, 189

[56] References Cited

U.S. PATENT DOCUMENTS

D. 136,774 12/1943 Freeman D28/99 X

D. 212,445 10/1968 Anthony et al. D28/77
D. 240,661 7/1976 Fujiwara D14/73
D. 246,039 10/1977 Pulos et al. D14/71
D. 253,738 12/1979 Willinger D6/188 X
2,012,551 8/1935 Steen 206/45.18 X

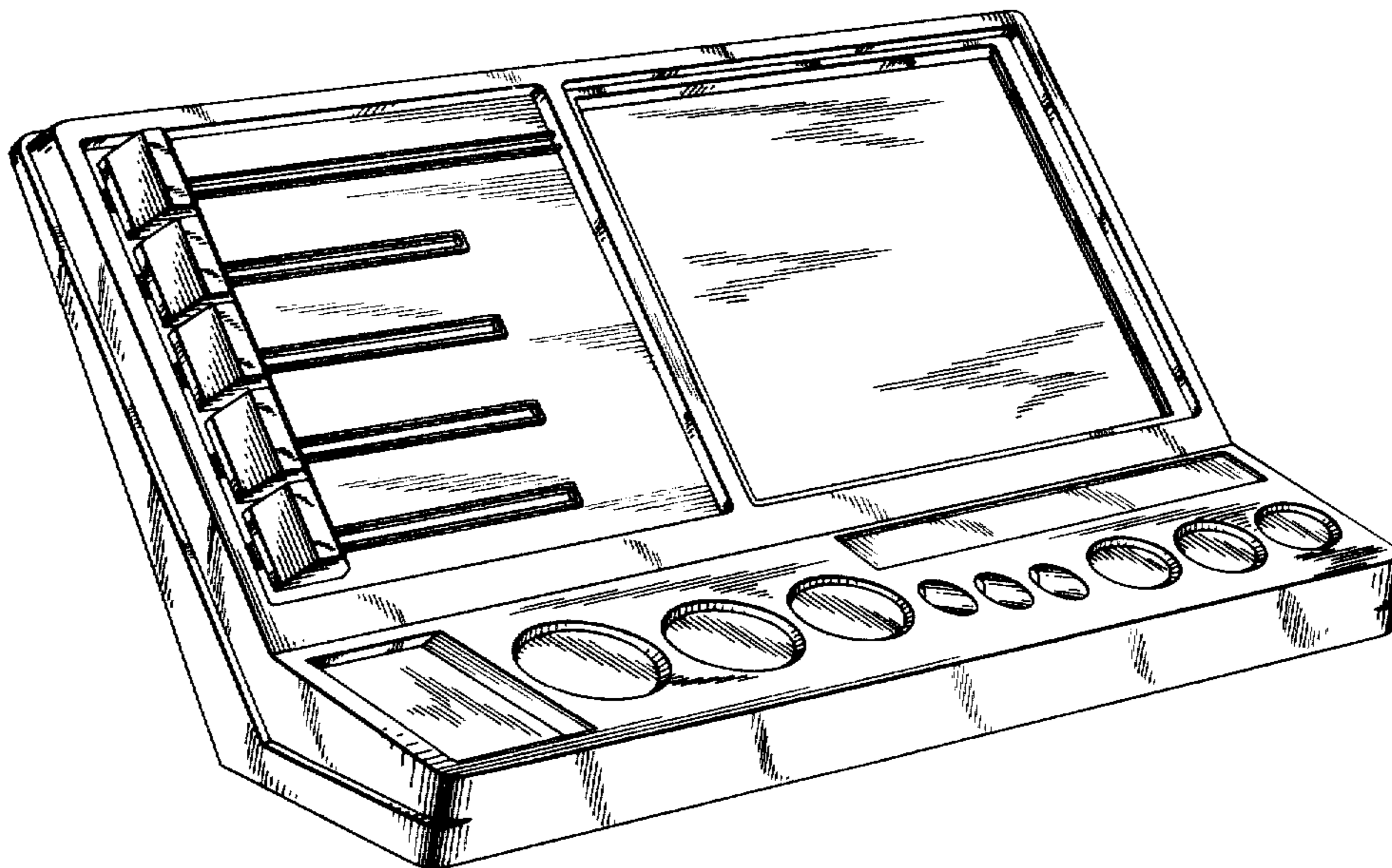
Primary Examiner—Louis S. Zarfes
Attorney, Agent, or Firm—Gottlieb, Rackman & Reisman

[57] CLAIM

The ornamental design for a makeup console, as shown and described.

DESCRIPTION

FIG. 1 is a front perspective view of a makeup console showing my new design;
FIG. 2 is a top plan view thereof;
FIG. 3 is a right side view thereof, the left side being substantially identical thereto;
FIG. 4 is a rear view thereof;
FIG. 5 is a bottom plan view thereof.



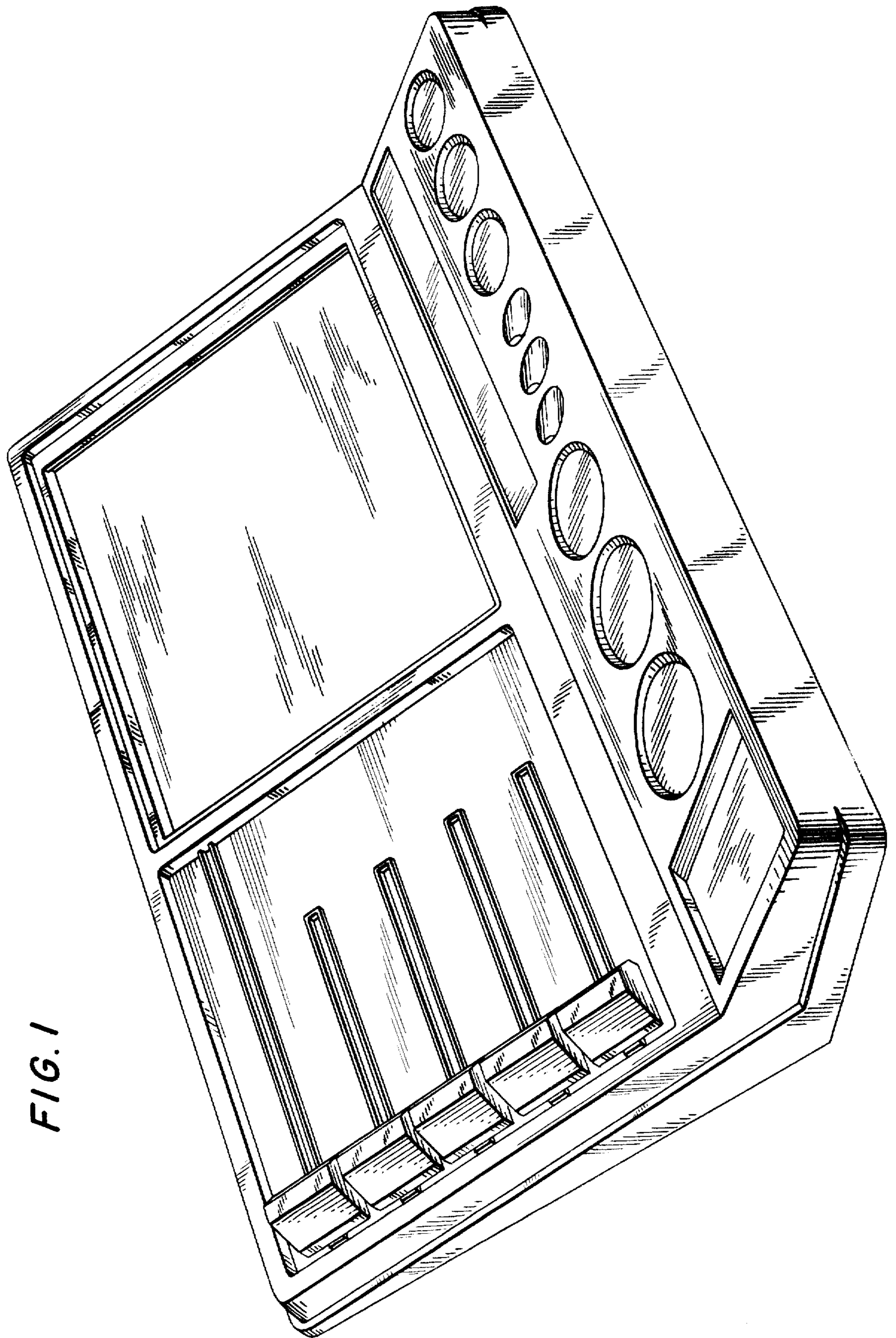


FIG. 1

FIG. 2

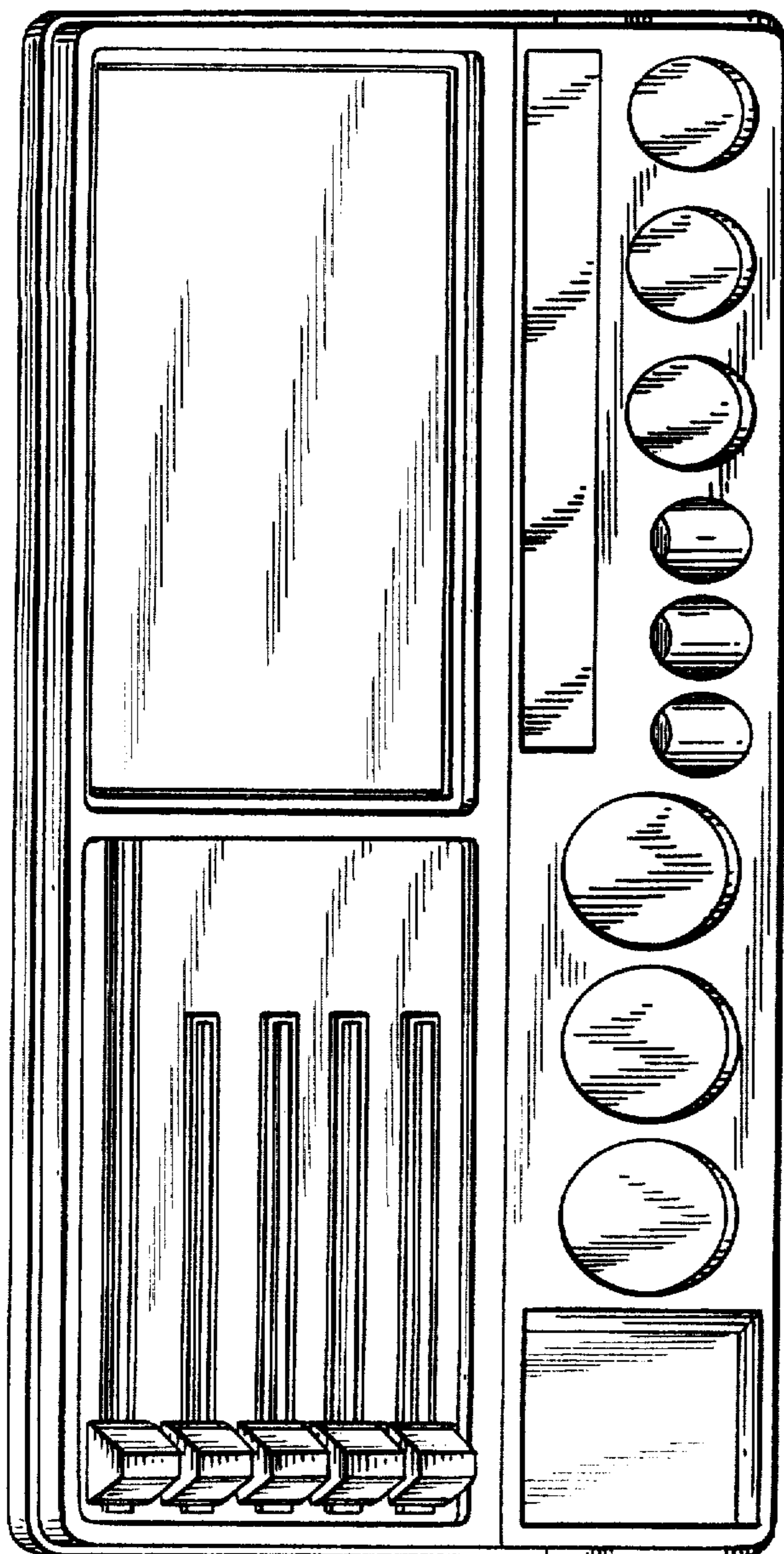
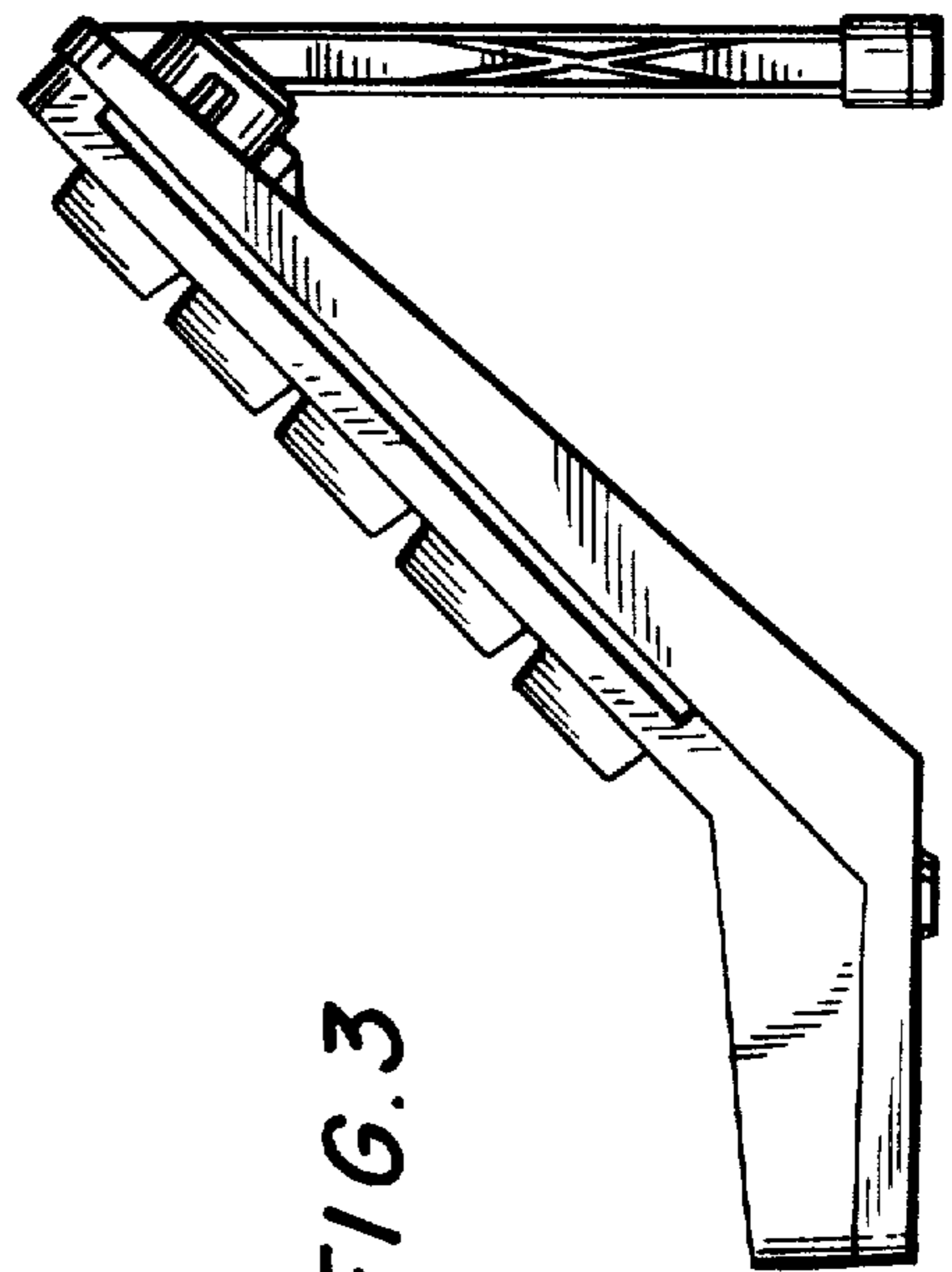


FIG. 3



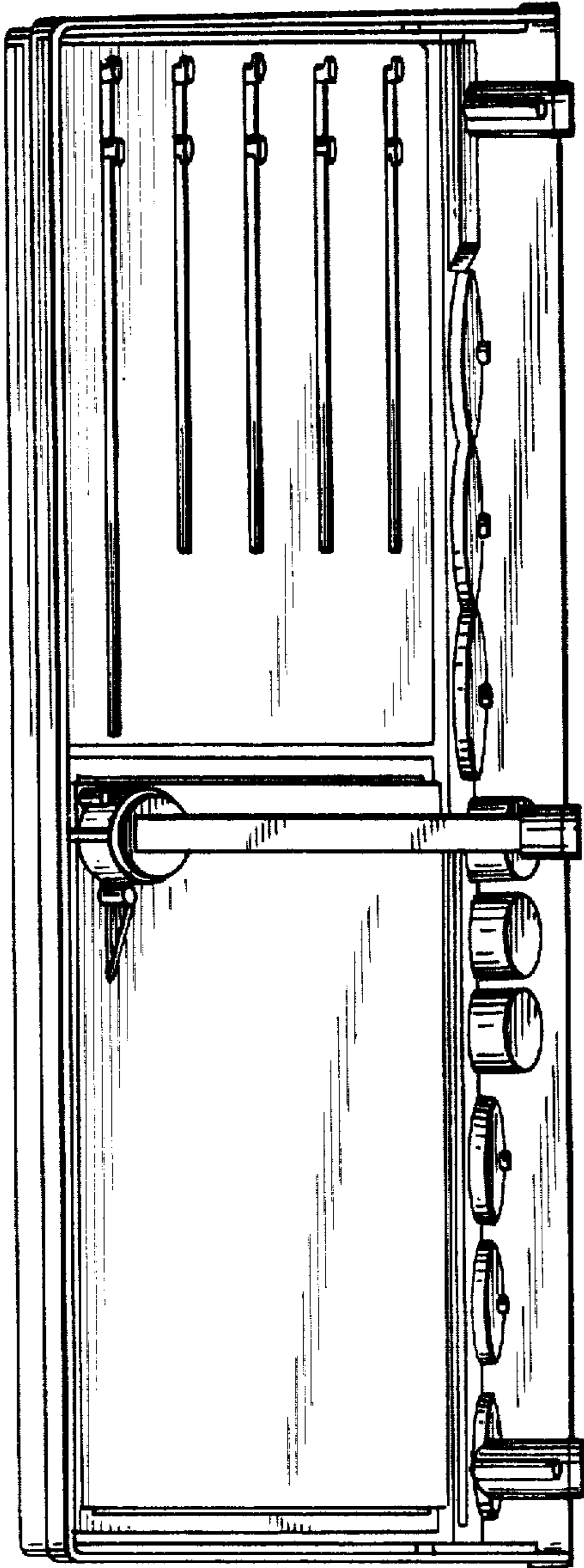


FIG. 4

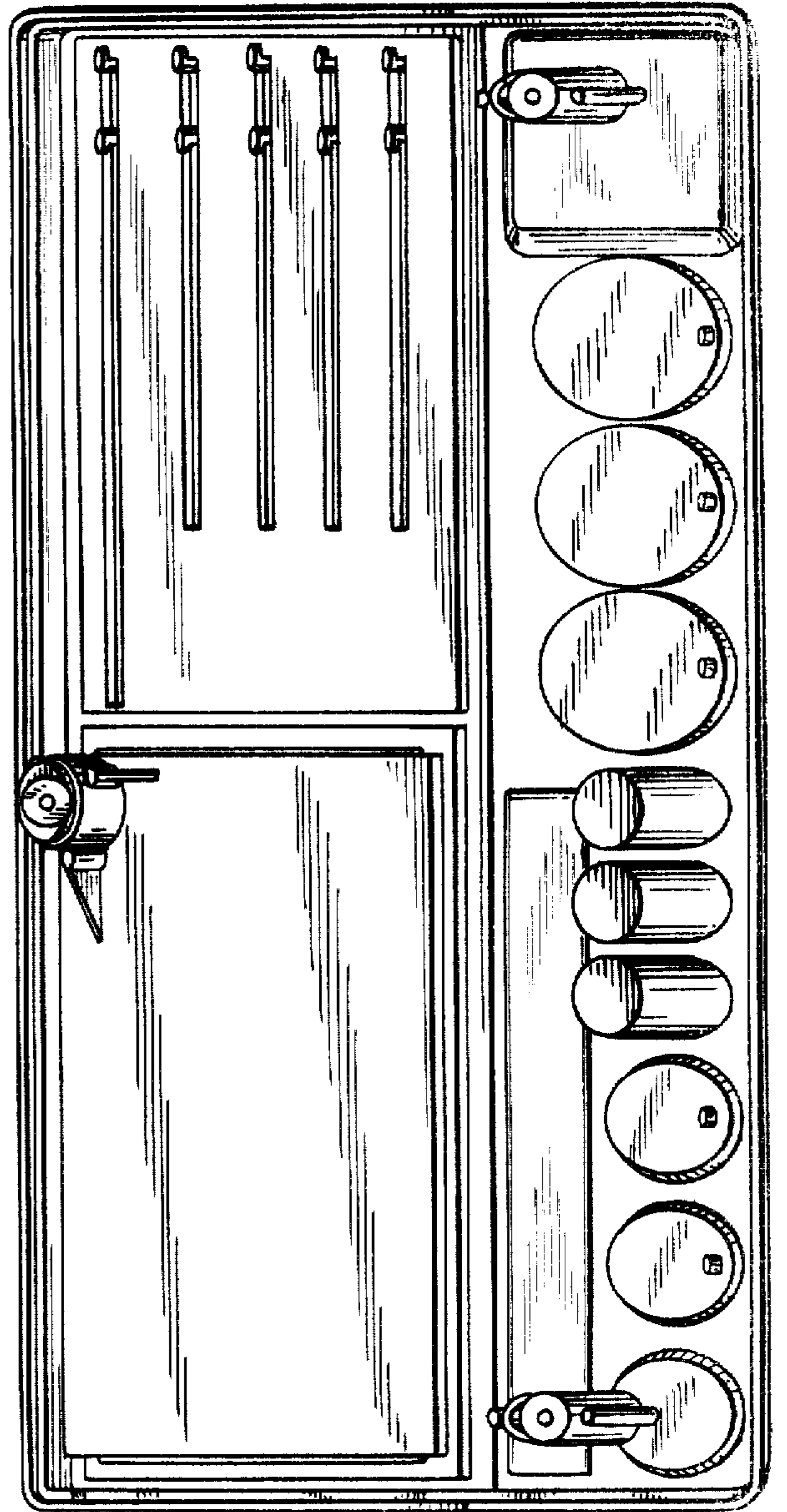


FIG. 5