

[54] WALL MOUNTED LIGHT FIXTURE

[75] Inventor: Richard Sangiomo, Roselle, N.J.

[73] Assignee: Keene Corporation, New York, N.Y.

[\*\*] Term: 14 Years

[21] Appl. No.: 211,692

[22] Filed: Dec. 1, 1980

[51] Int. Cl. .... D26-05

[52] U.S. Cl. .... D26/85

[58] Field of Search ..... D26/24, 72, 74, 76, D26/78, 80-92; 362/432, 311, 297, 296, 300, 363, 217, 220, 223, 235, 362

[56] References Cited

U.S. PATENT DOCUMENTS

D. 202,803 11/1965 Wince ..... D26/85  
4,027,151 5/1977 Barthel ..... D26/24 X

OTHER PUBLICATIONS

Stonco Line Illustrated Price Guide #LP-20, 9/77, p. 34, wall cube #523-100 MM.

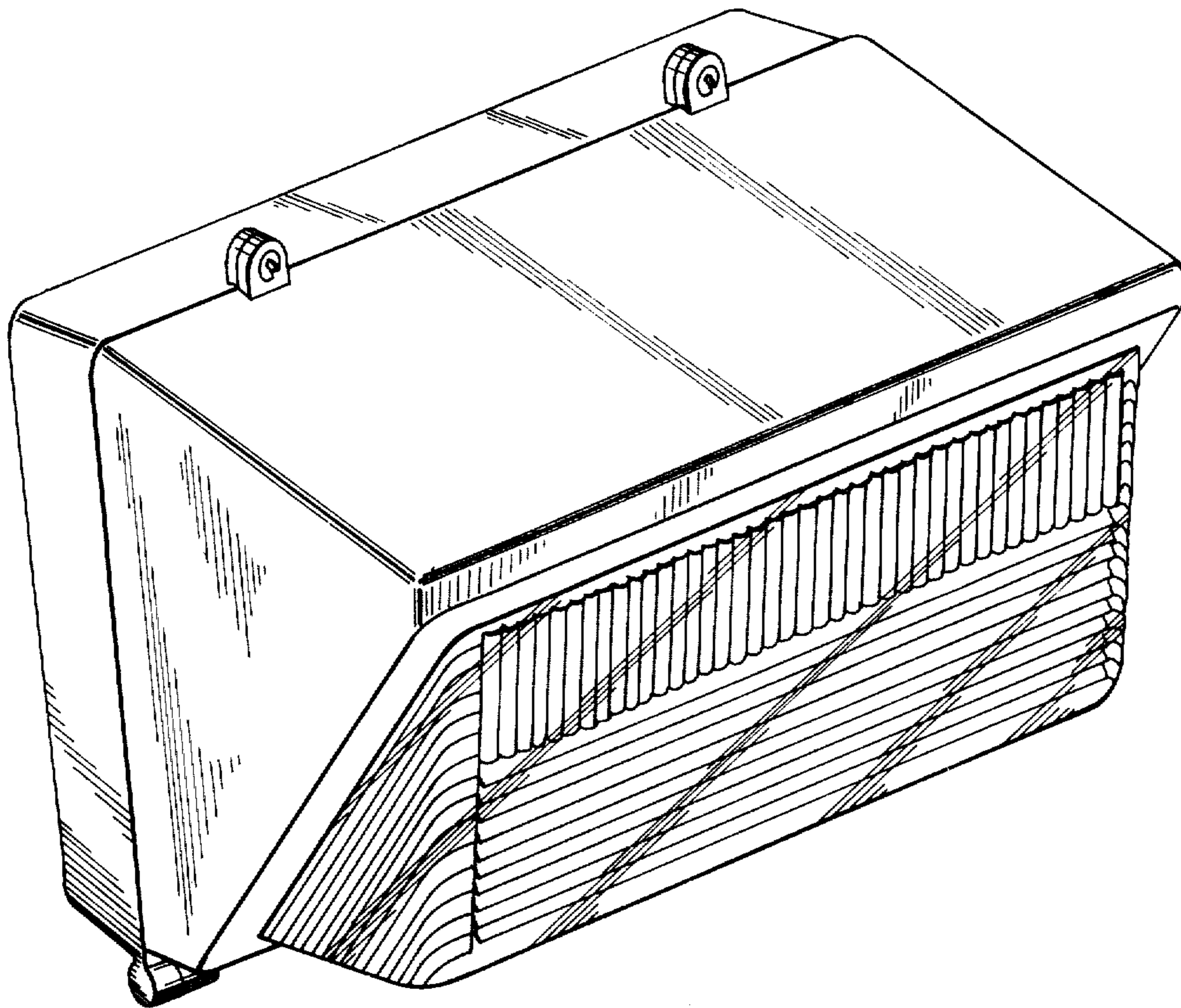
Primary Examiner—Susan J. Lucas  
Attorney, Agent, or Firm—Kane, Dalsimer, Kane, Sullivan and Kurucz

[57] CLAIM

The ornamental design for a wall mounted light fixture, as shown and described.

DESCRIPTION

FIG. 1 is a side and front isometric view of a wall mounted light fixture showing my new design; FIG. 2 is a front elevational view of FIG. 1 on an enlarged scale; FIG. 3 is a side elevational view of FIG. 1 on an enlarged scale; and FIG. 4 is a bottom plan view of FIG. 1 on an enlarged scale.



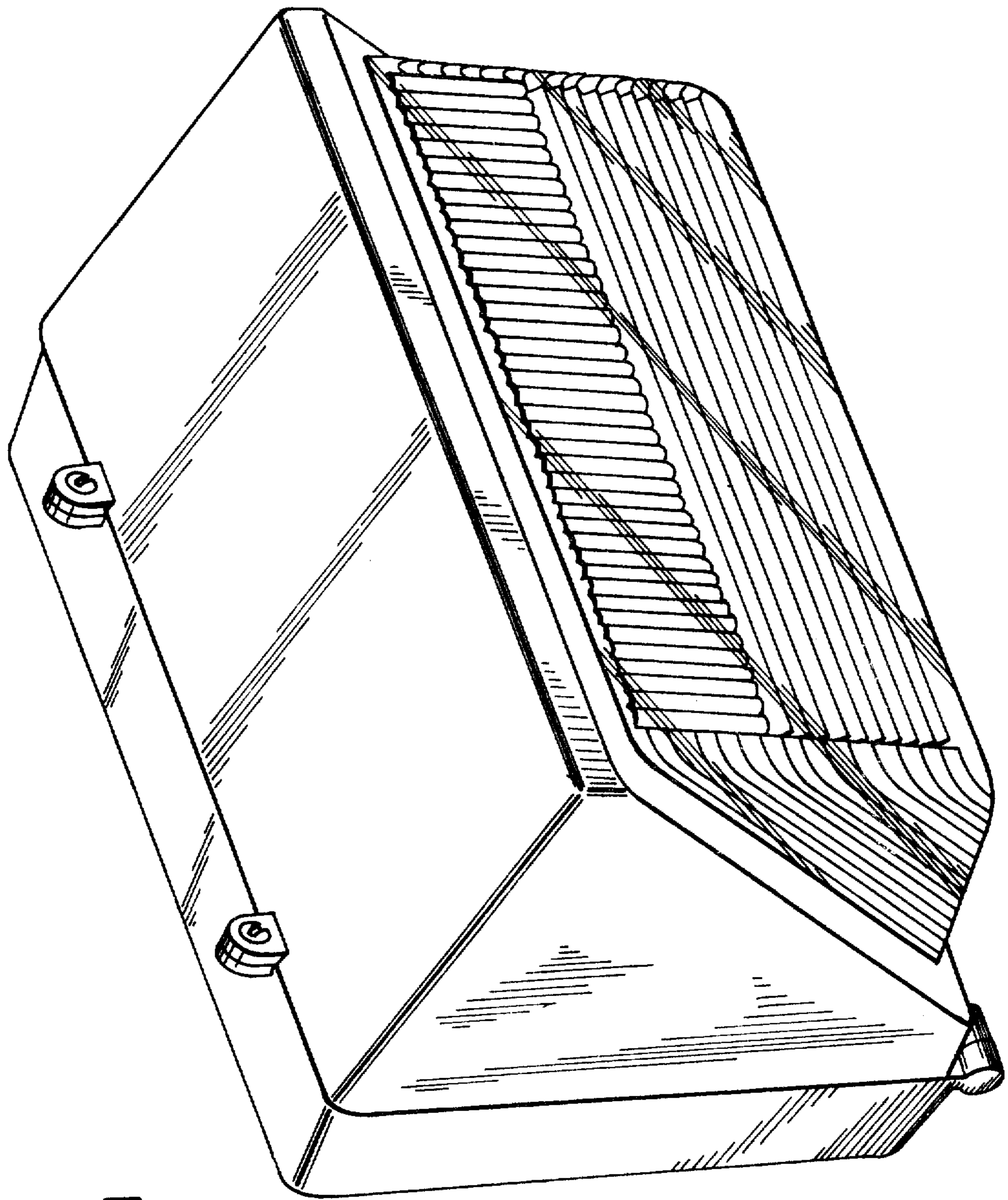


FIG. 1

FIG. 2

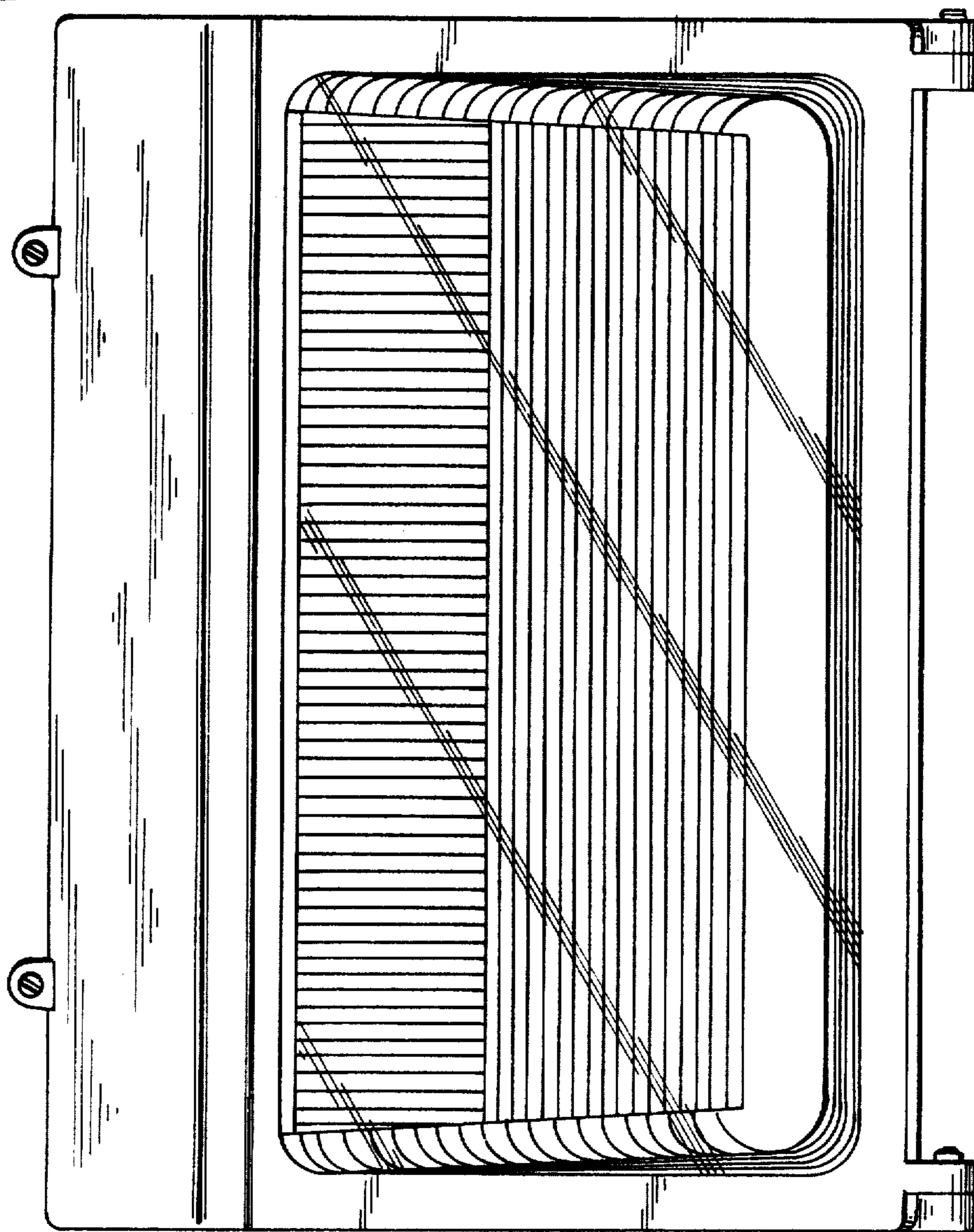


FIG. 3

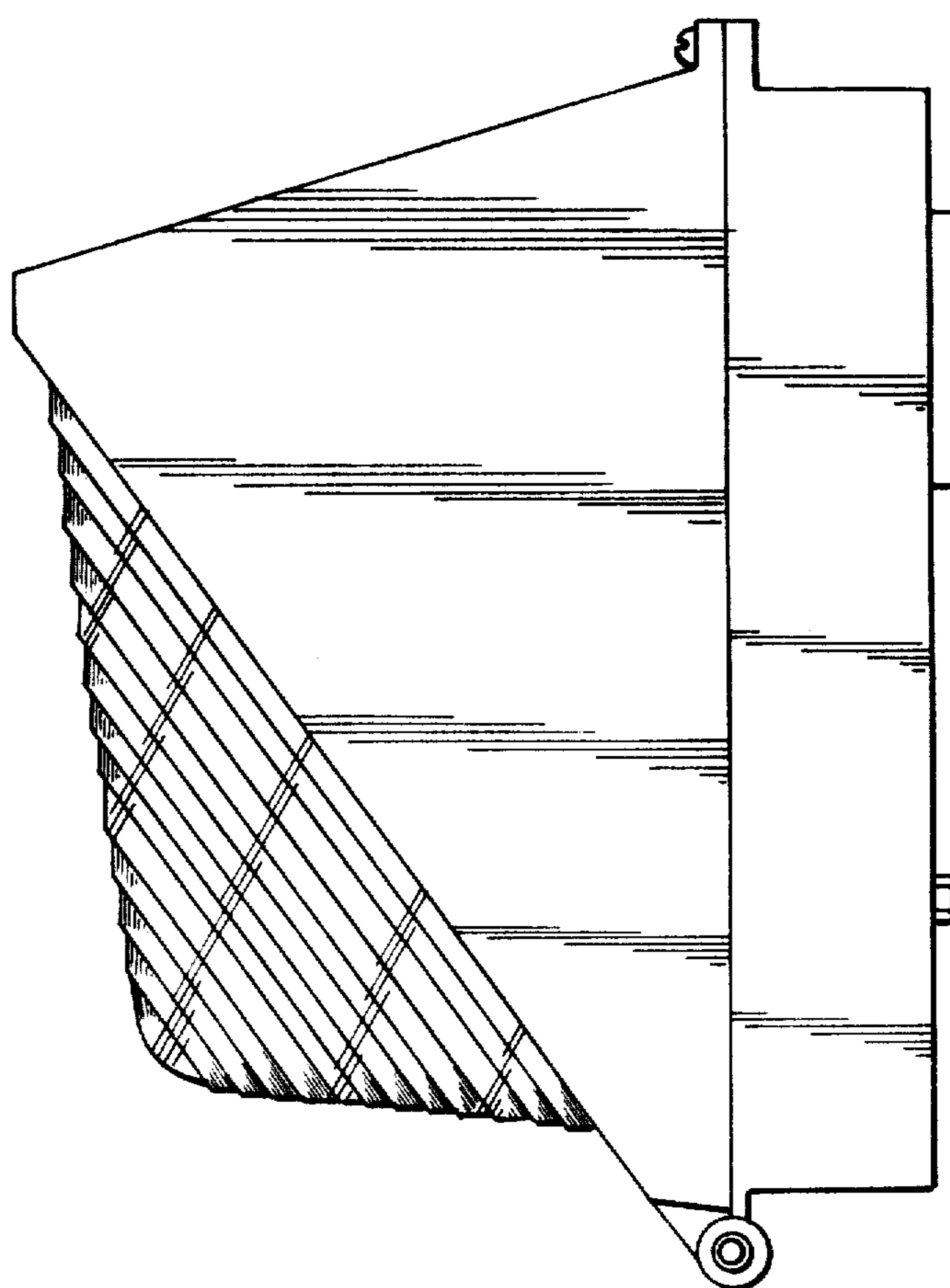


FIG. 4

