

[54] **TOURNIQUET AND PRESSURE APPLYING DEVICE**

[76] Inventor: **Russell E. Peck**, 3893 Rohr, Pontiac, Mich. 48055

[**] Term: **14 Years**

[21] Appl. No.: **265,877**

[22] Filed: **May 21, 1981**

[51] Int. Cl. **D24—05**

[52] U.S. Cl. **D24/34; D24/64**

[58] Field of Search 128/325, 326, DIG. 15, 128/327; D24/34, 49, 64

[56] **References Cited**

U.S. PATENT DOCUMENTS

- D. 255,717 7/1980 Levine D24/49 X
- D. 267,200 12/1982 Milding D24/64
- 2,715,315 8/1955 Giardini 128/399 X
- 3,993,076 11/1976 Fogarty 128/327 X

- 4,182,338 1/1980 Stanulis 128/327 X
- 4,243,028 1/1981 Puyana 128/327 X
- 4,353,374 10/1982 Rebbe 128/327 X

Primary Examiner—Bernard Ansher
Attorney, Agent, or Firm—Krass, Young & Schivley

[57] **CLAIM**

The ornamental design for a tourniquet and pressure applying device, as shown and described.

DESCRIPTION

FIG. 1 is a top plan view of a tourniquet and pressure applying device, showing my new design; FIG. 2 is a side elevation thereof; FIG. 3 is a bottom plan view thereof; FIG. 4 is a left end elevation thereof; FIG. 5 is a right end elevation thereof; FIG. 6 is a perspective view thereof; and FIG. 7 is a perspective view taken in an alternate position of FIG. 6.

The broken lines illustrating the human arm are shown for illustrative purposes only.

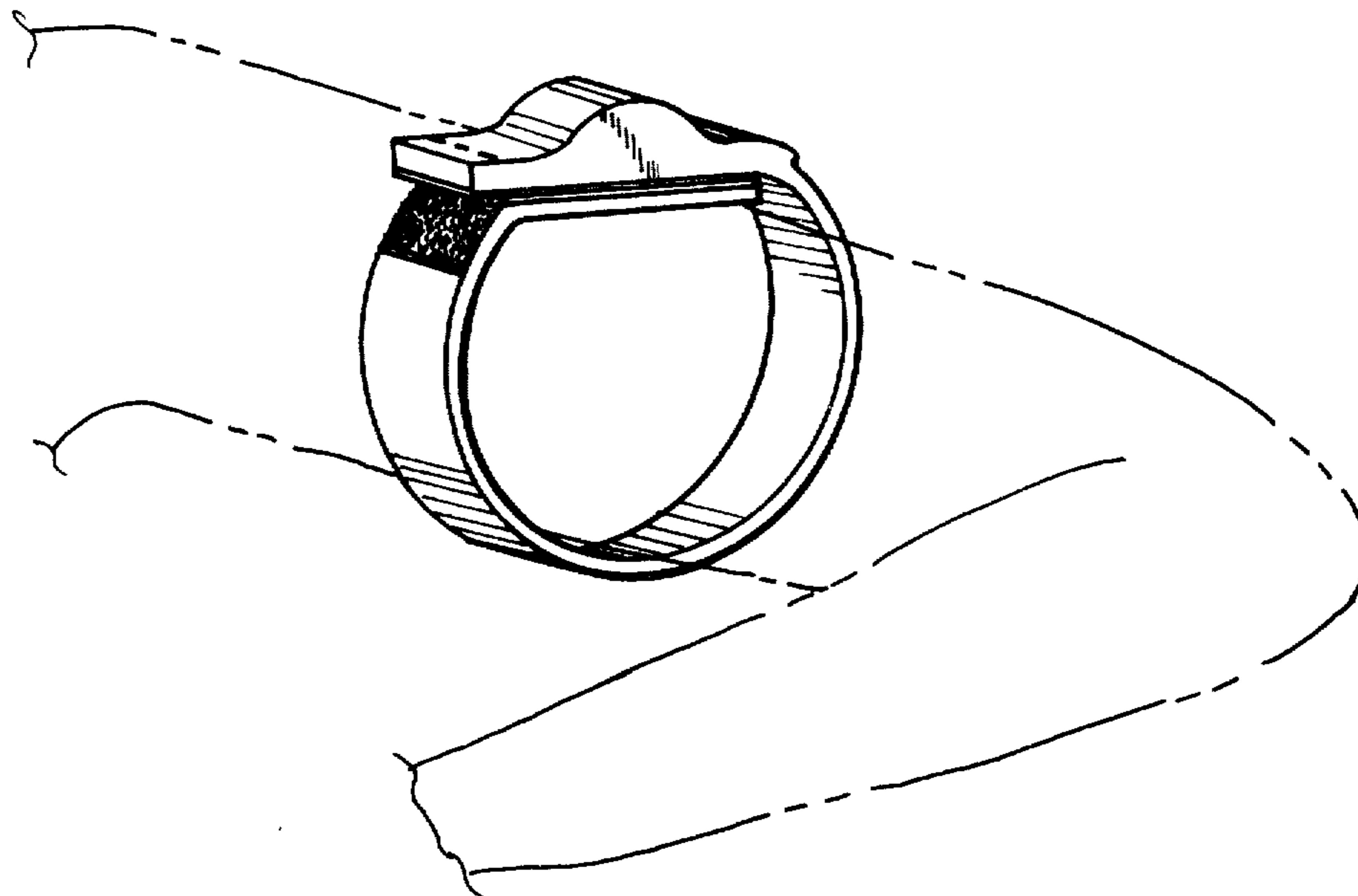


Fig-1



Fig-6

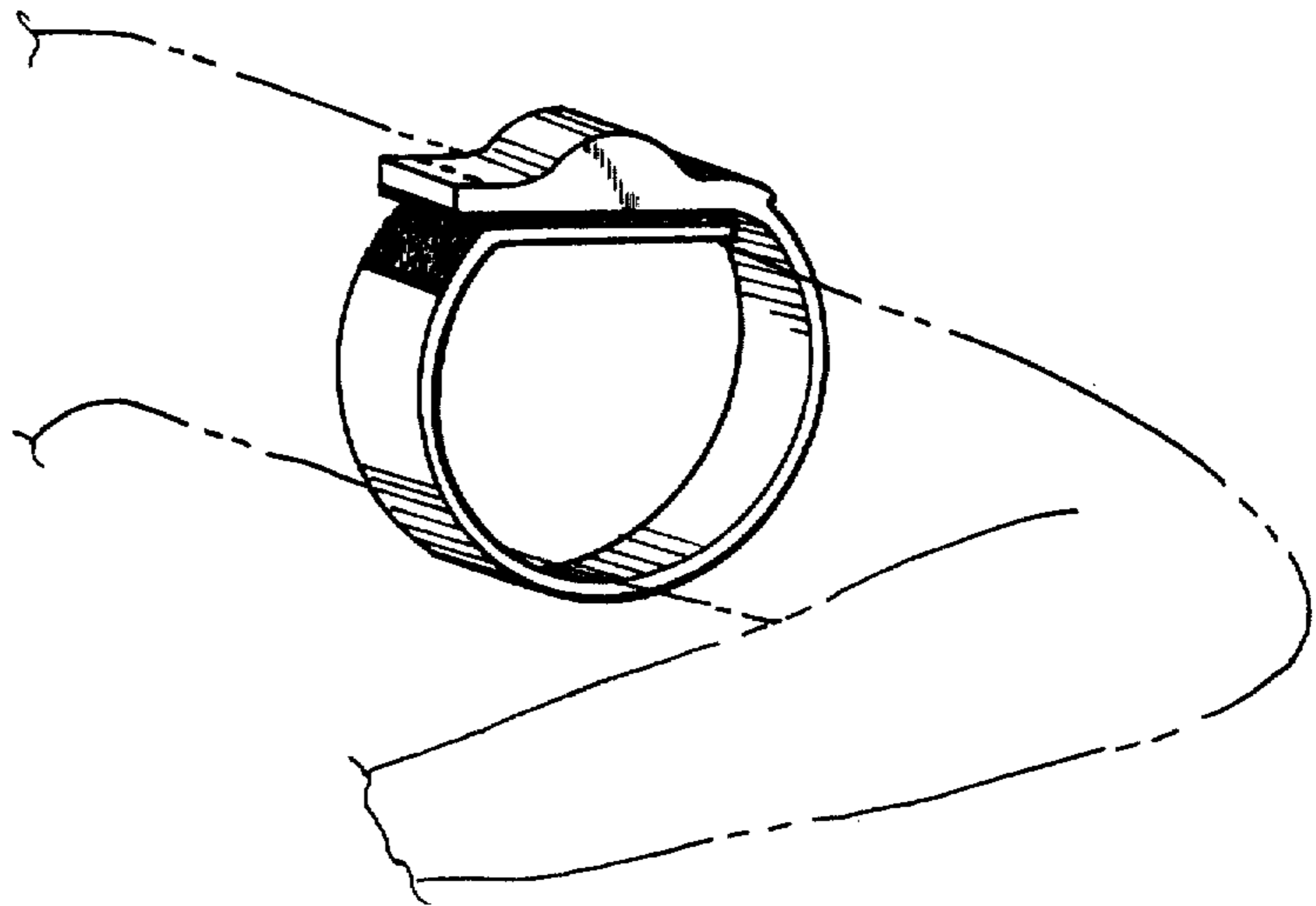


Fig-2



Fig-3



Fig-4



Fig-5



Fig-7

