

[54] SOLID FUEL STOVE

[76] Inventor: Marius C. Schuller, 112 Cork St., W., Guelph, Ontario, Canada, N1H 2X5

[**] Term: 14 Years

[21] Appl. No.: 189,699

[22] Filed: Sep. 22, 1980

[30] Foreign Application Priority Data

May 1, 1980 [CA] Canada 01-05-80-2

[51] Int. Cl. D23-03

[52] U.S. Cl. D23/97

[58] Field of Search D23/92-97; 126/4, 6, 58, 60-66, 120, 121, 123, 126, 77

[56] References Cited

U.S. PATENT DOCUMENTS

D. 250,540 12/1978 Luscombe D23/97

D. 264,117 4/1982 Jensen D23/97

Primary Examiner—Catherine E. Kemper

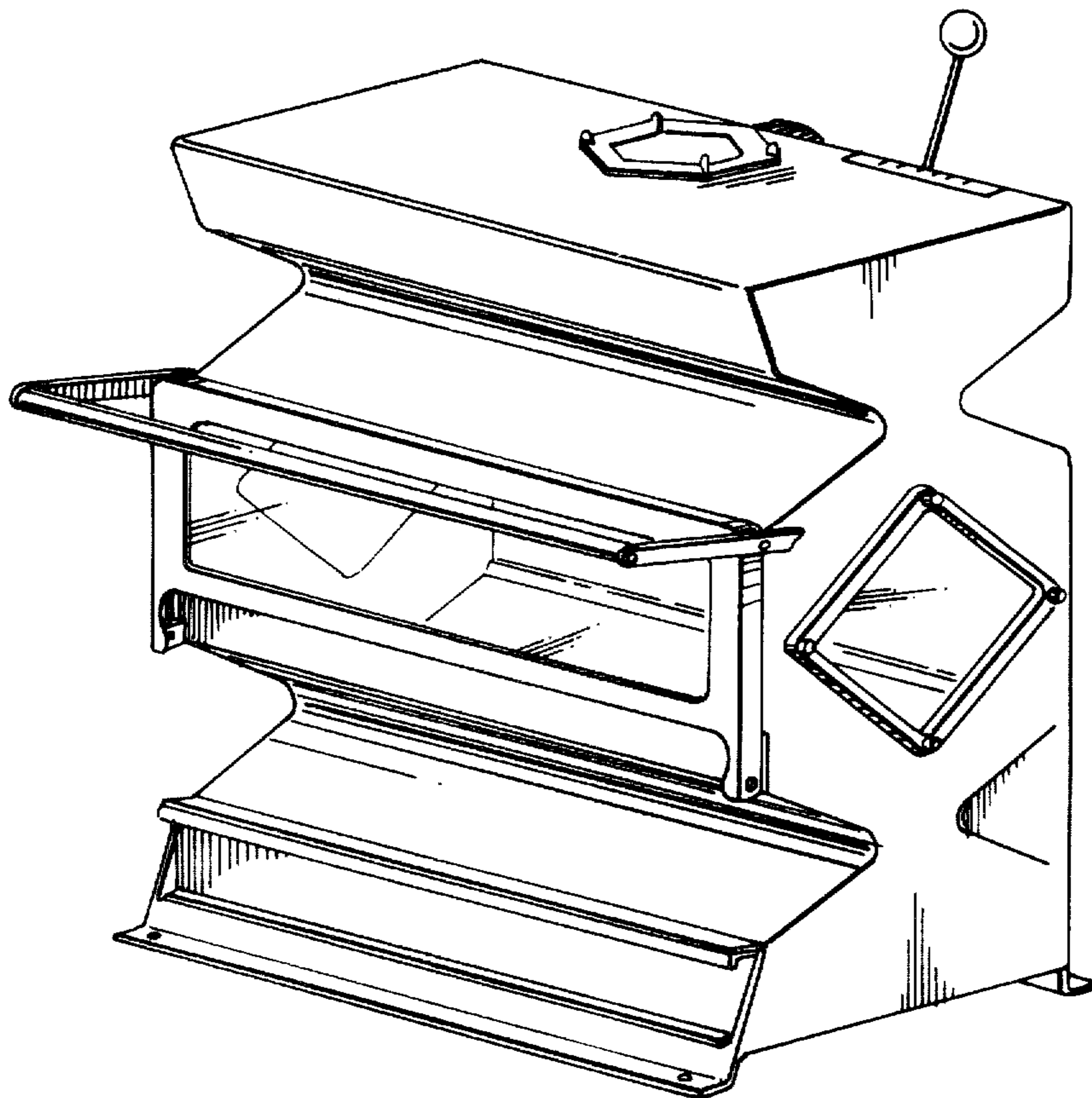
Attorney, Agent, or Firm—Lerner, David, Littenberg, Krumholz & Mentlik

[57] CLAIM

The ornamental design for a solid fuel stove, substantially as shown and described.

DESCRIPTION

FIG. 1 is a perspective view of a solid fuel stove showing my new design; FIG. 2 is a front elevational view thereof; FIG. 3 is a right side elevational view thereof; FIG. 4 is a left side elevational view thereof; FIG. 5 is a rear elevational view thereof; FIG. 6 is a top plan view thereof; FIG. 7 is a bottom plan view thereof; FIG. 8 is a front elevational view of a second embodiment solid fuel stove showing my new design; FIG. 9 is a right hand elevational view thereof; FIG. 10 is a left hand elevational view thereof; FIG. 11 is a rear elevational view thereof; FIG. 12 is a top plan view thereof; and FIG. 13 is a bottom plan view thereof.



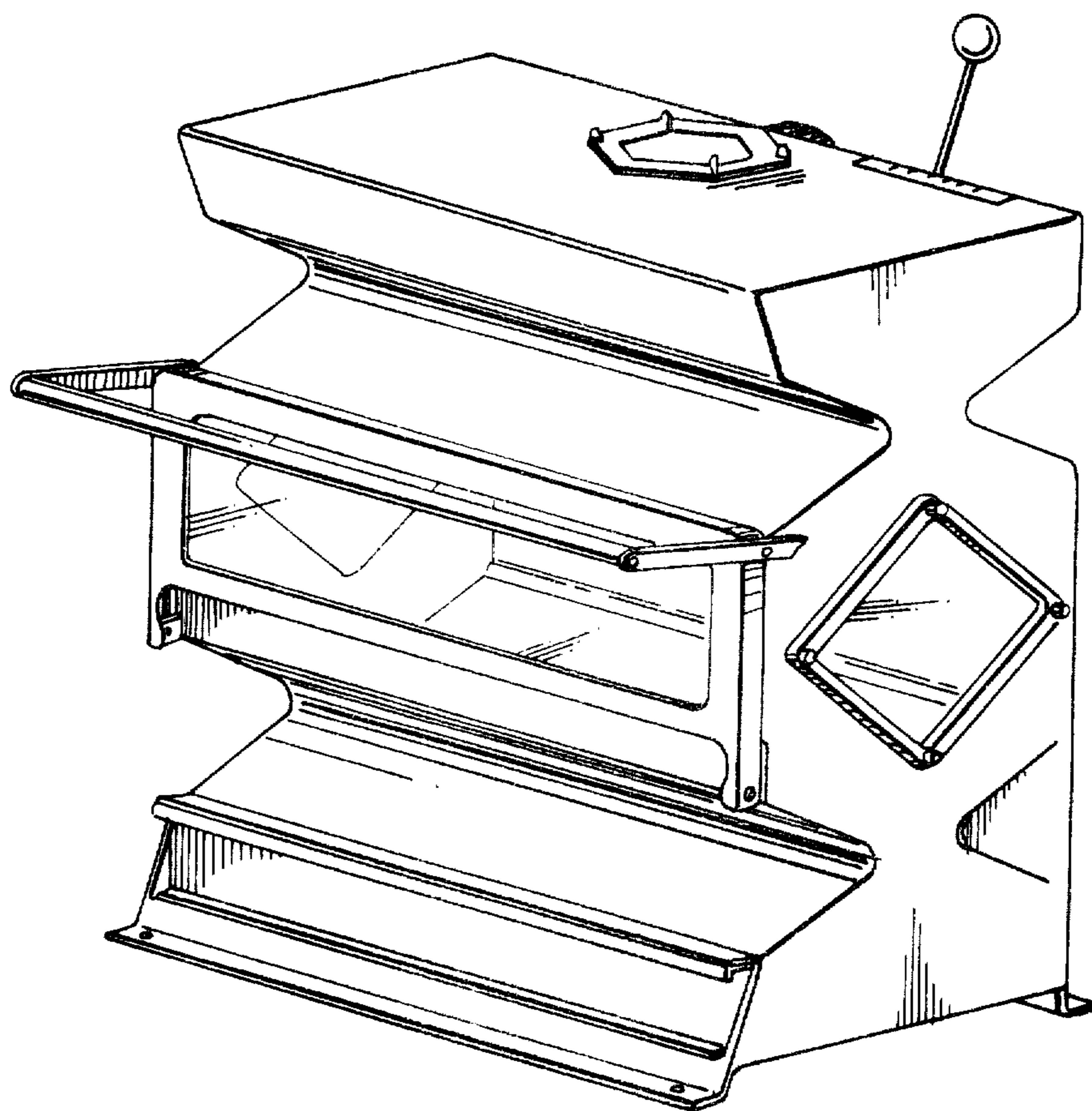


FIG. 1

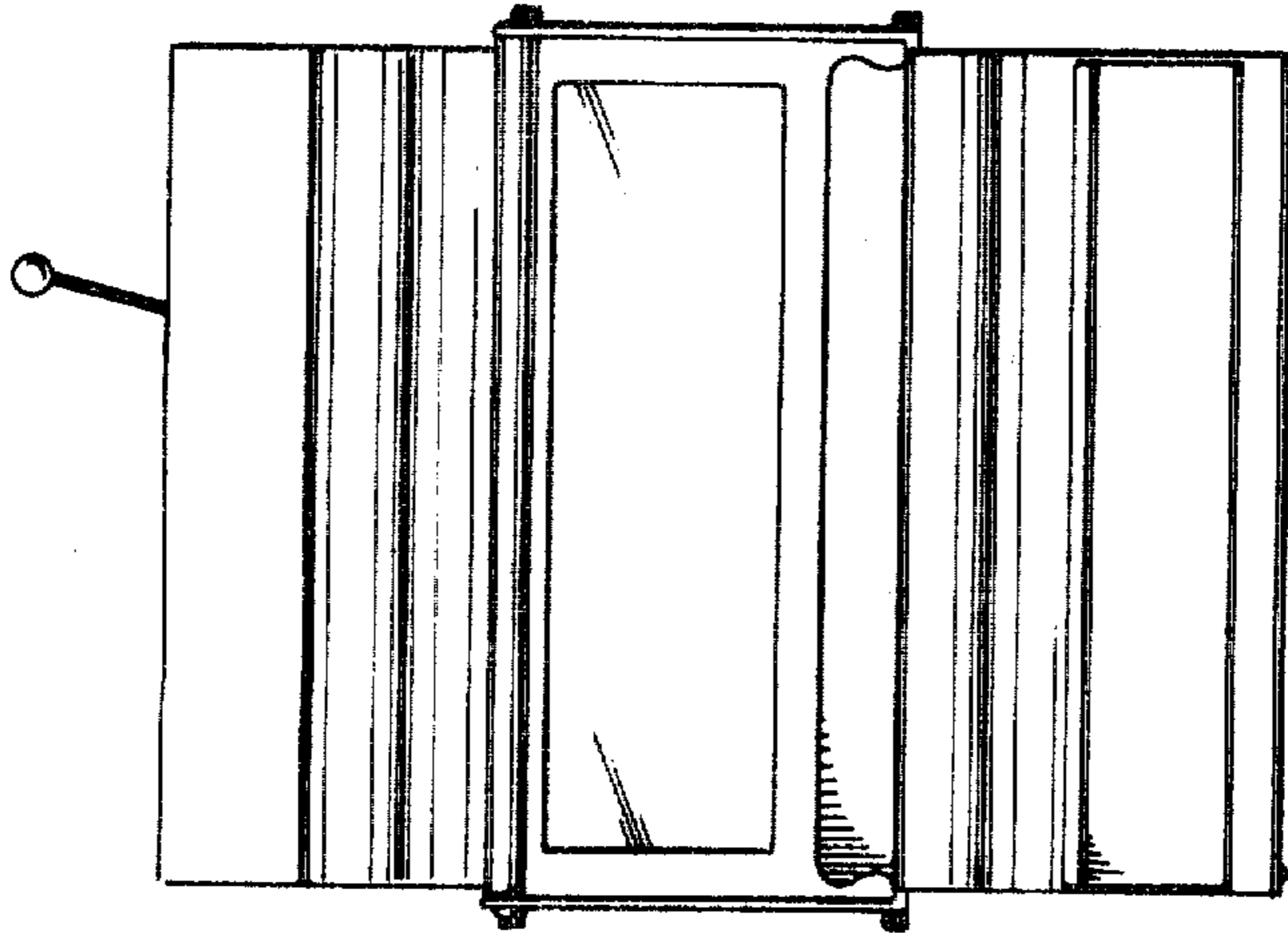


FIG. 2

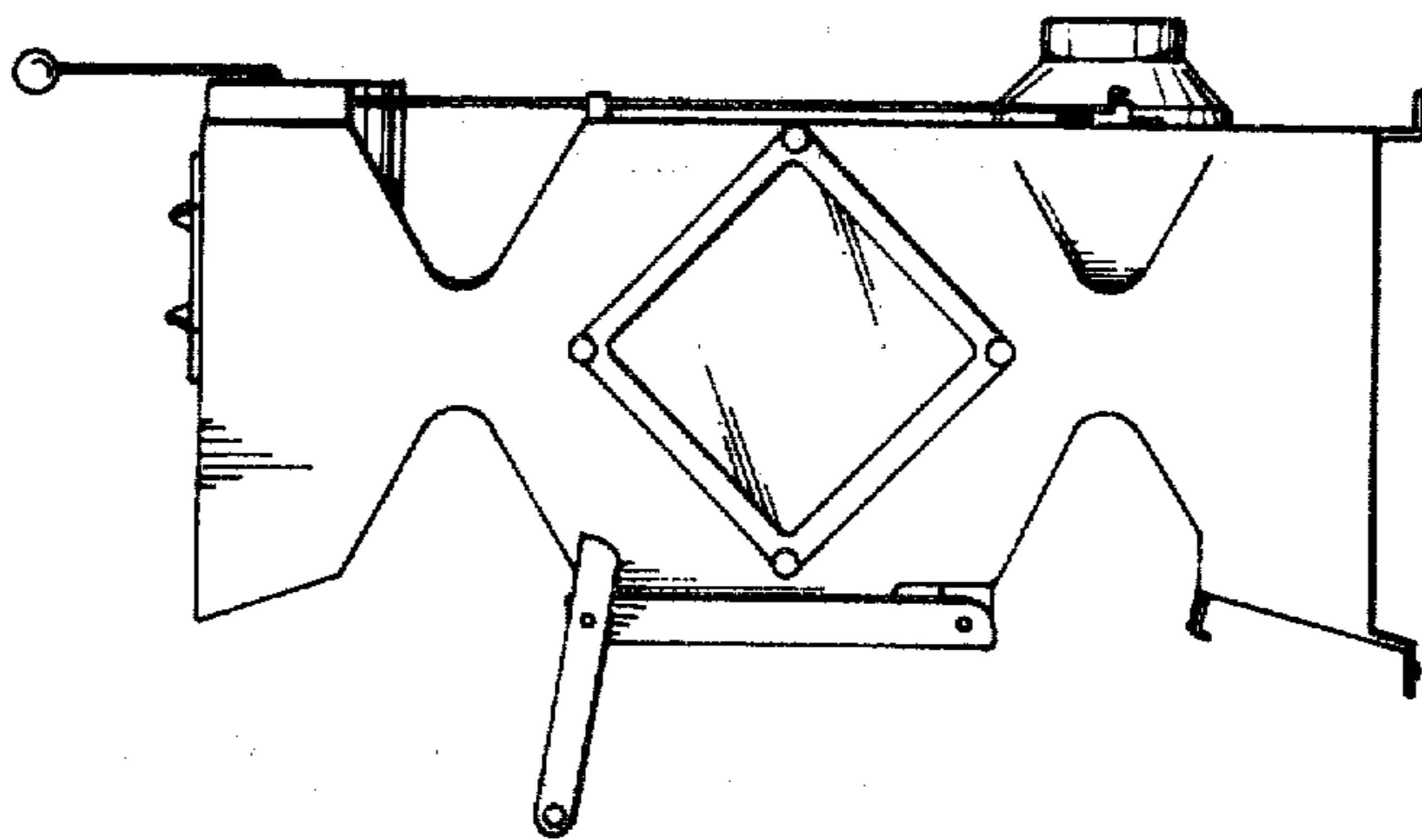


FIG. 3

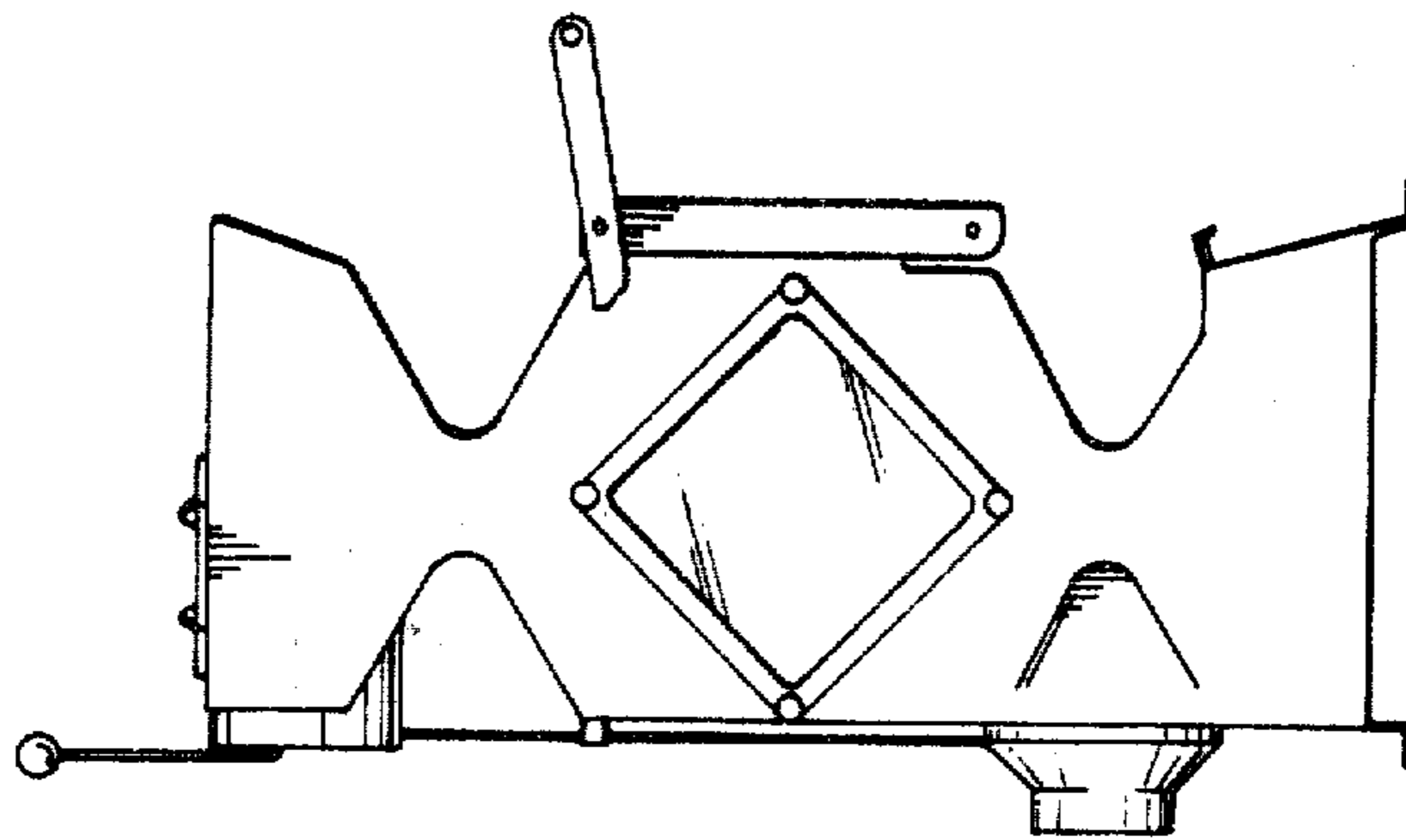


FIG. 4

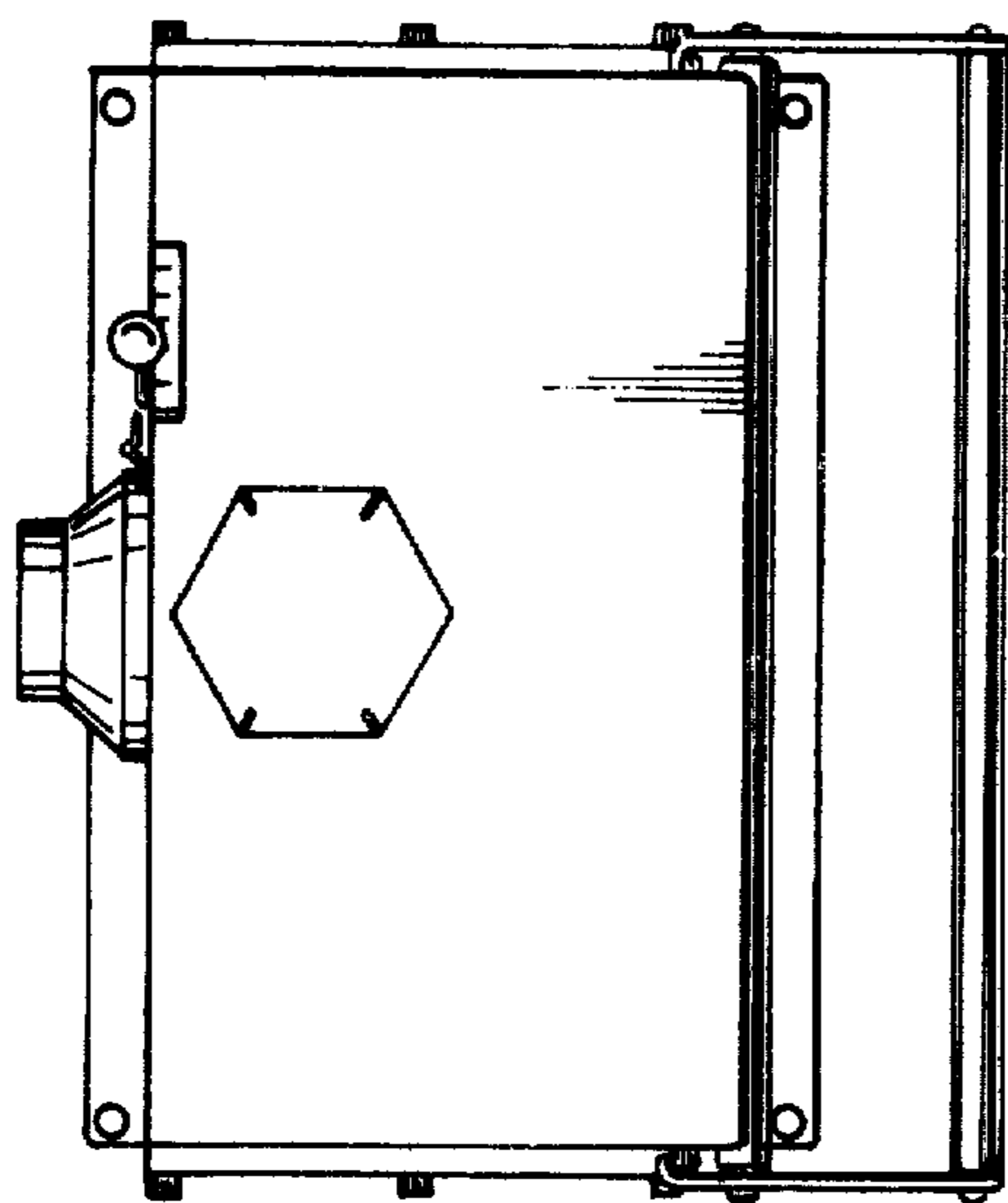


FIG. 6

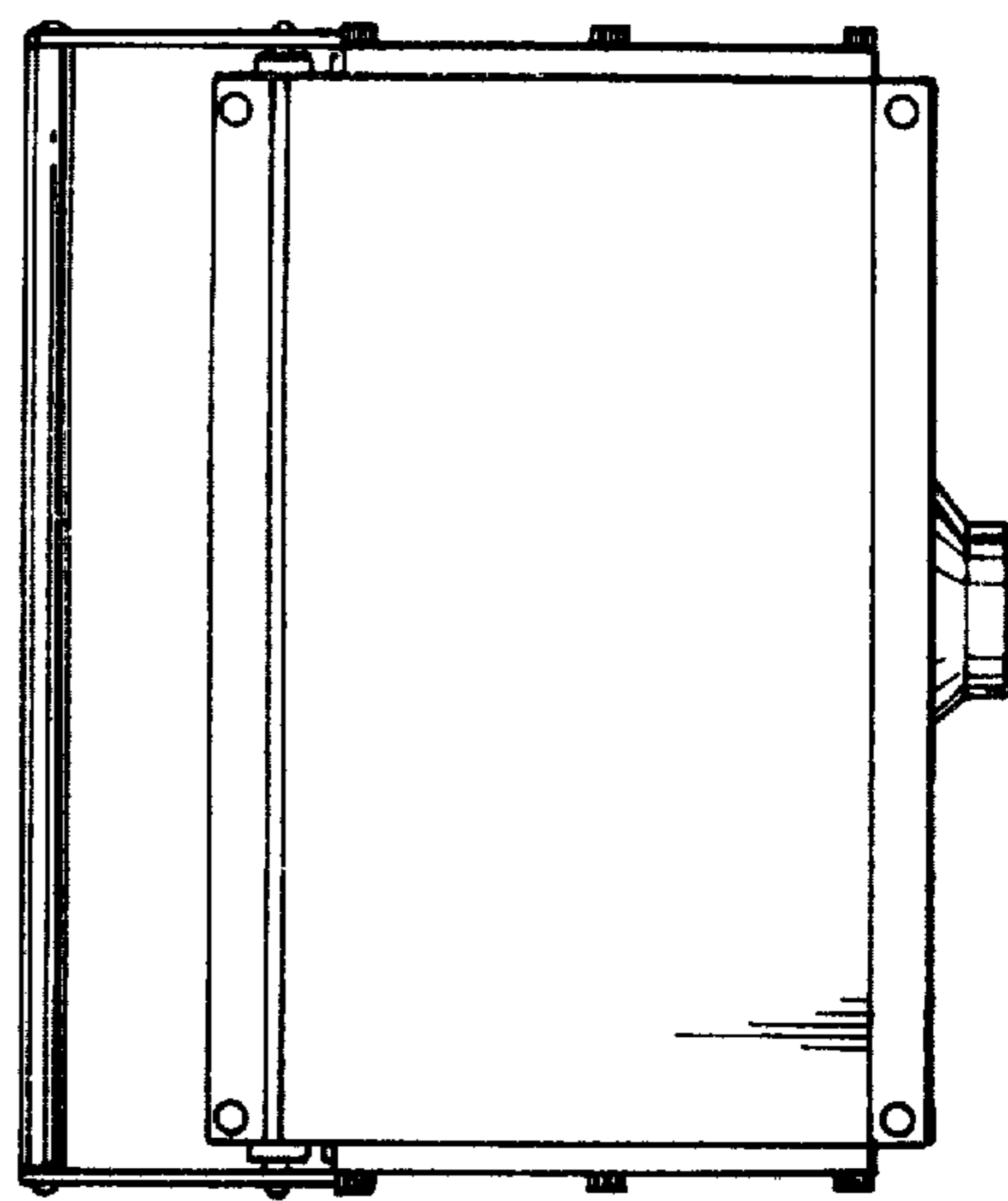


FIG. 7

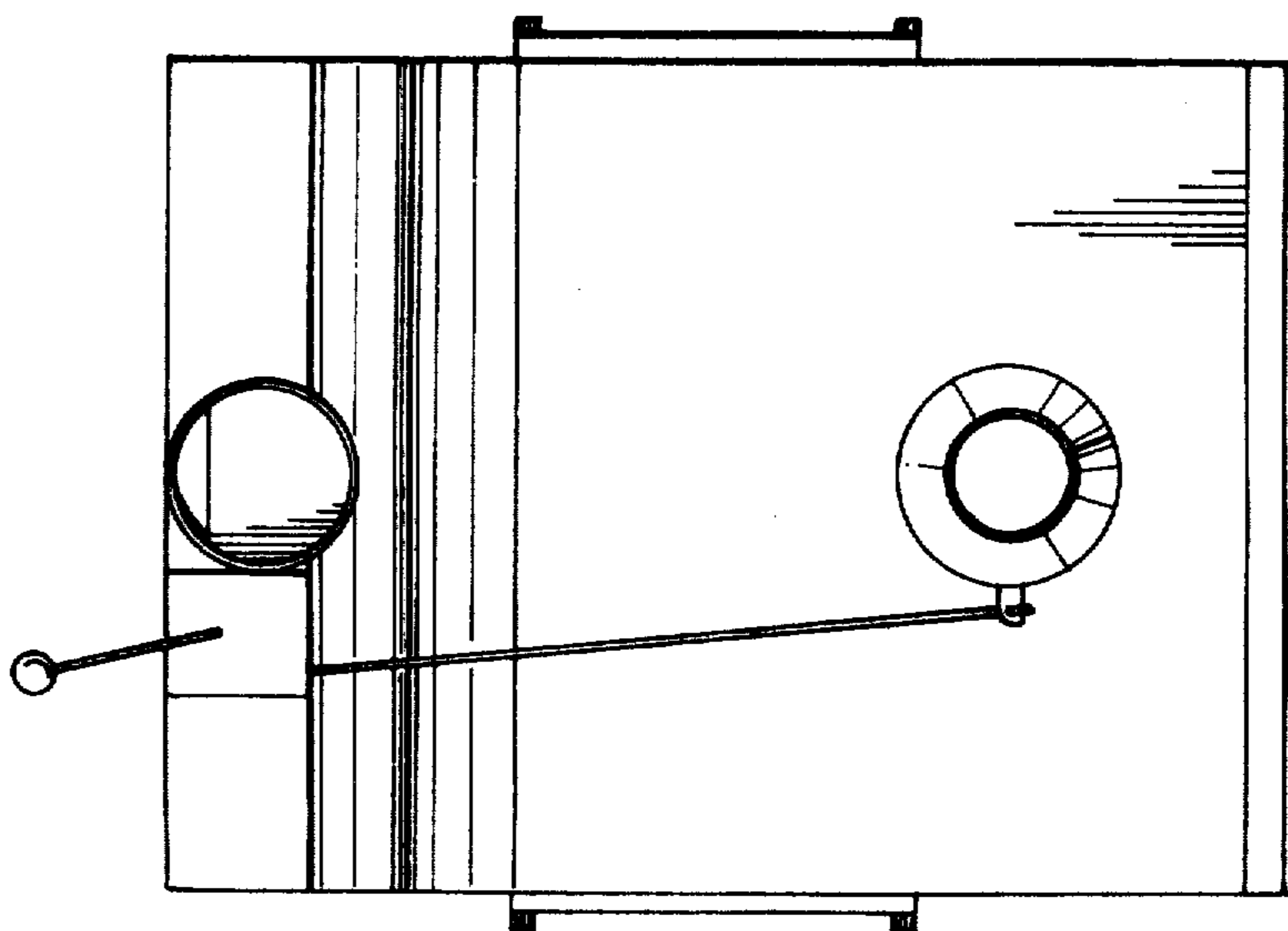


FIG. 5

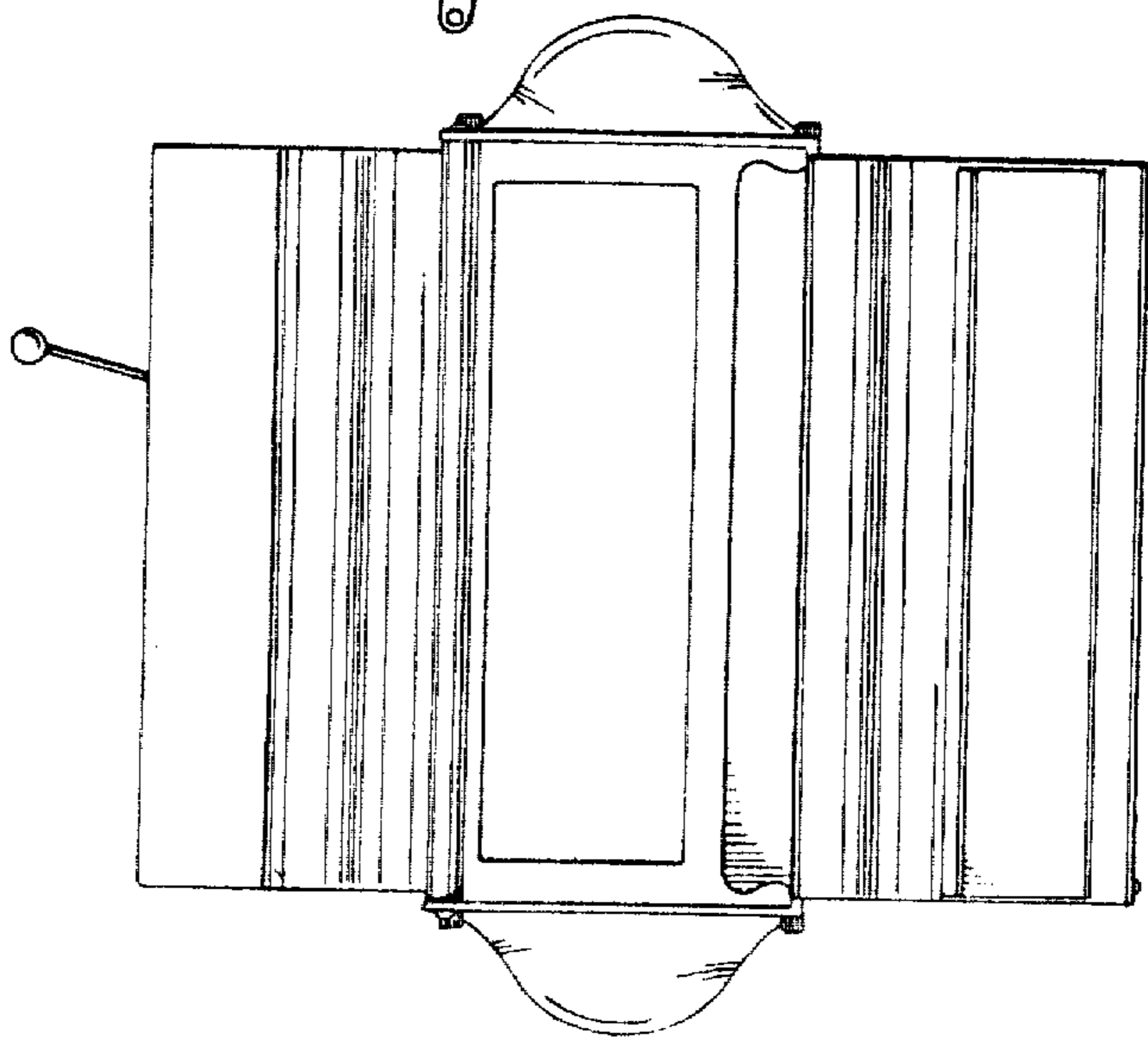


FIG. 8

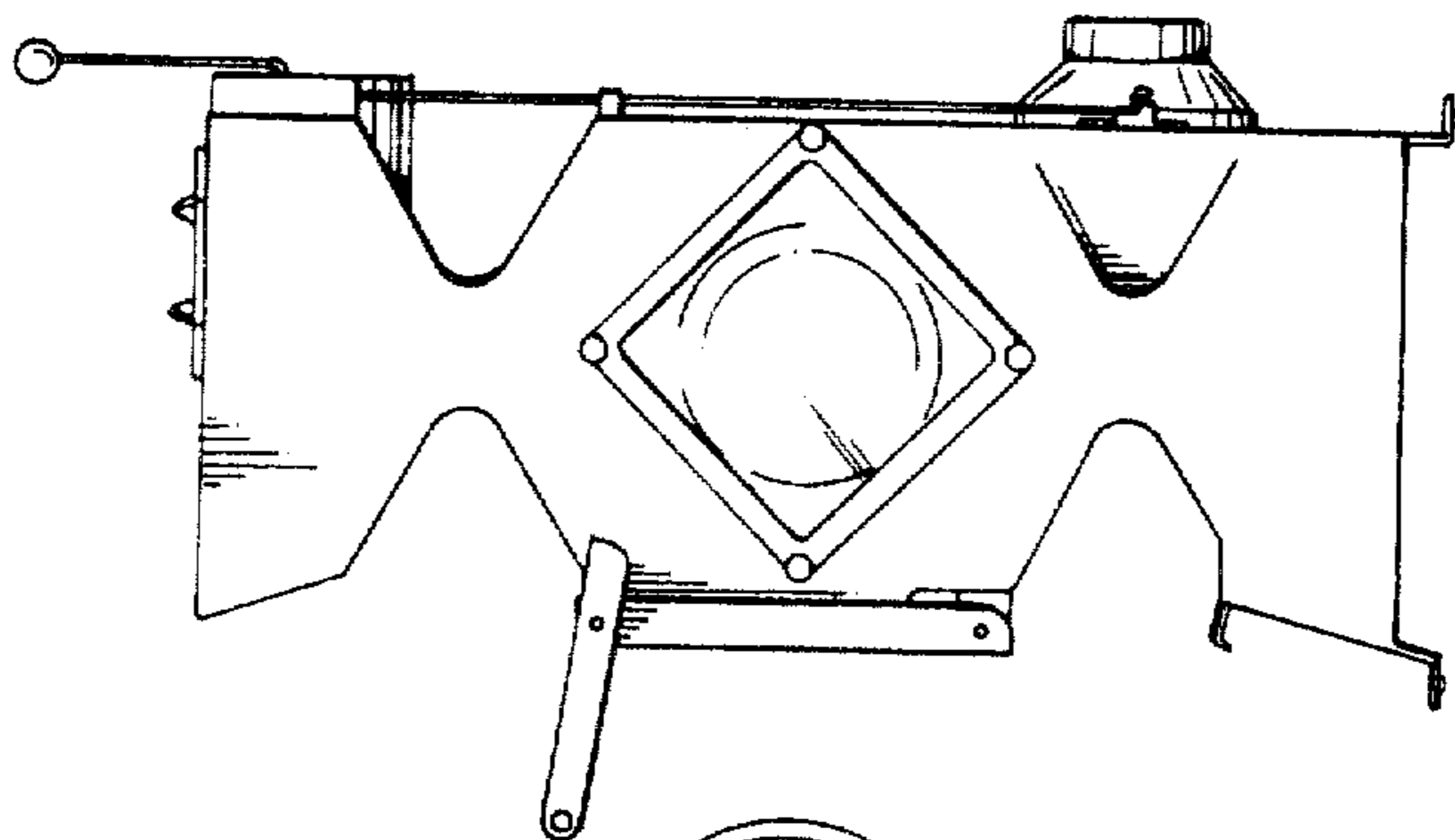


FIG. 9

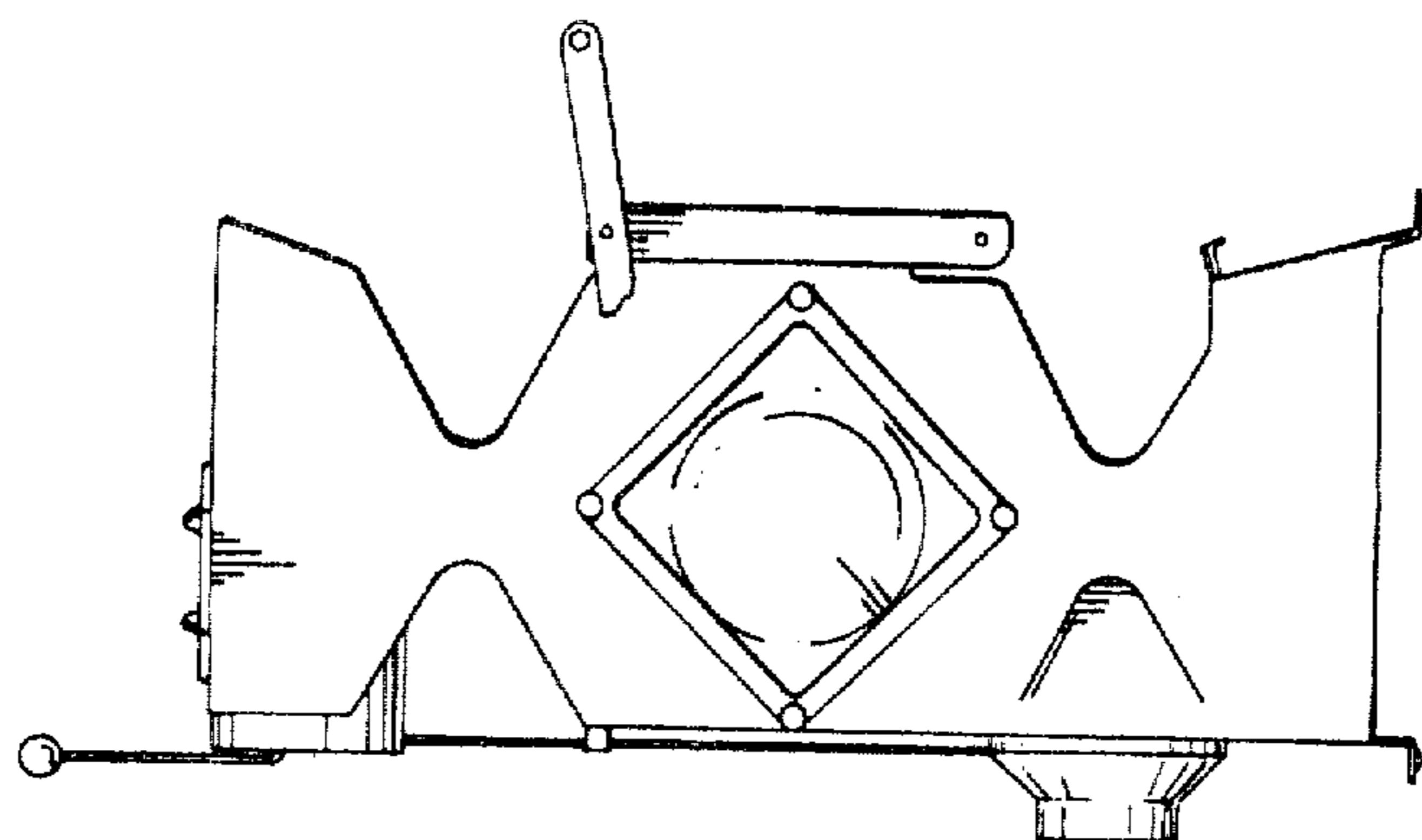


FIG. 10

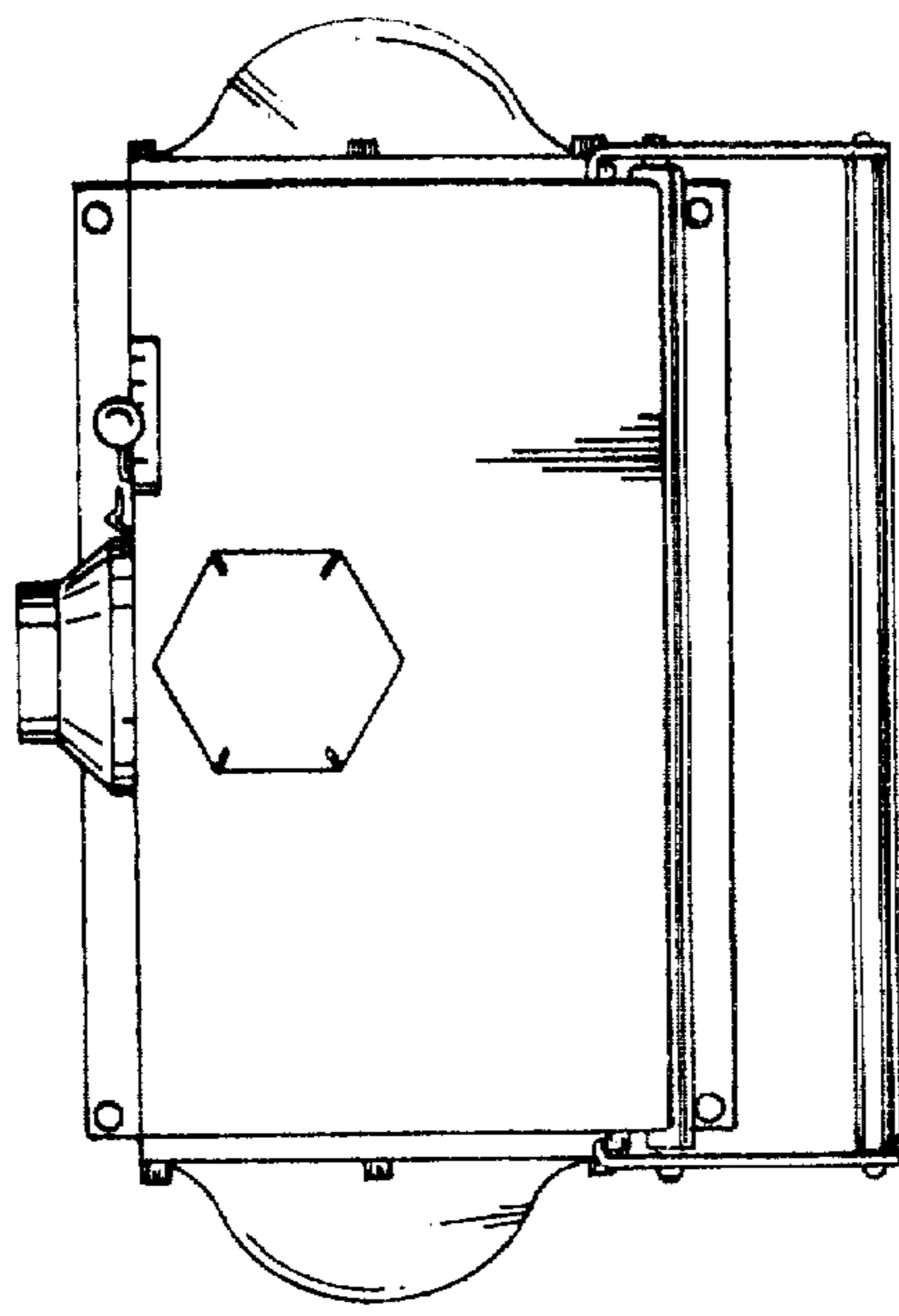


FIG. 12

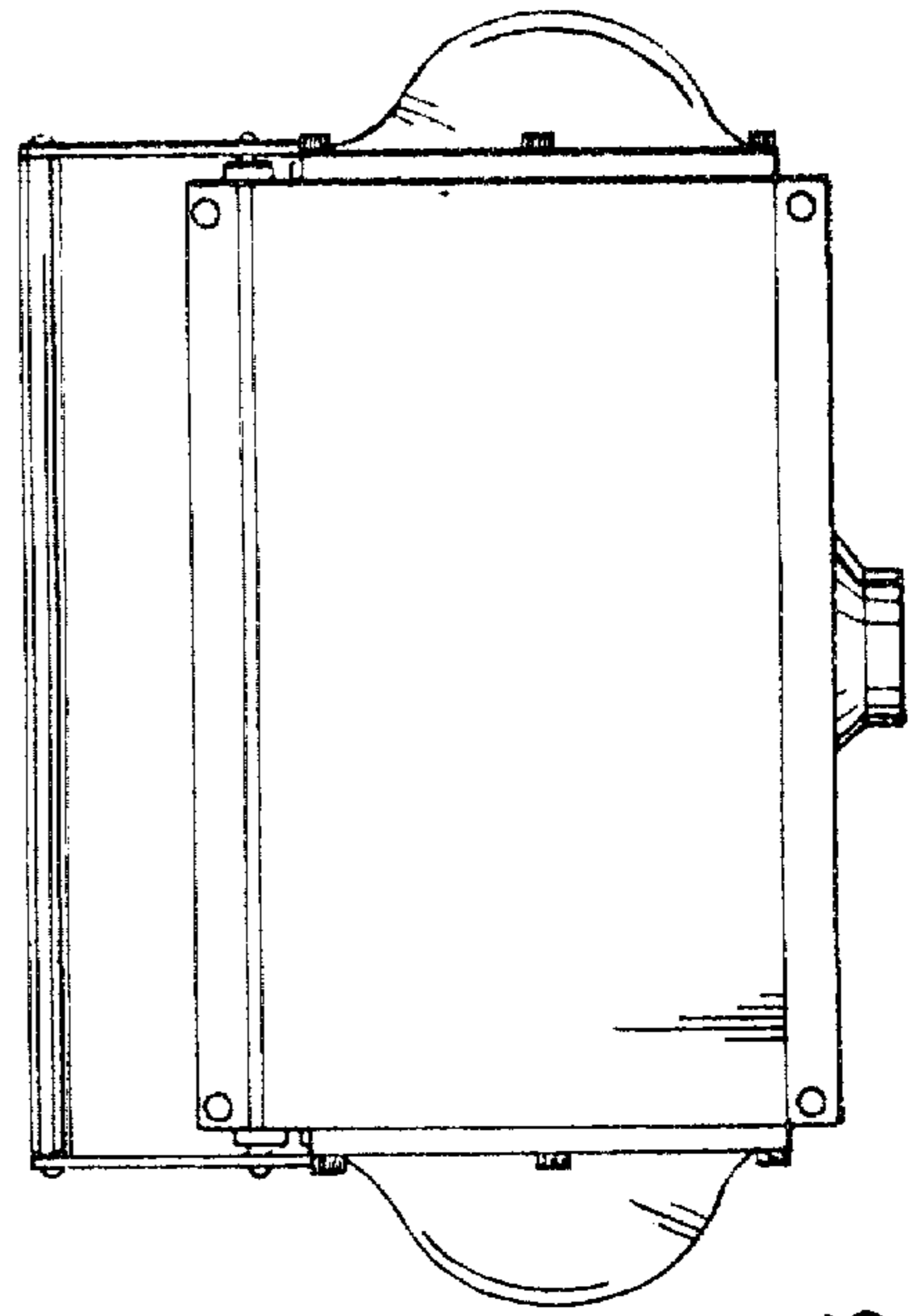


FIG. 13

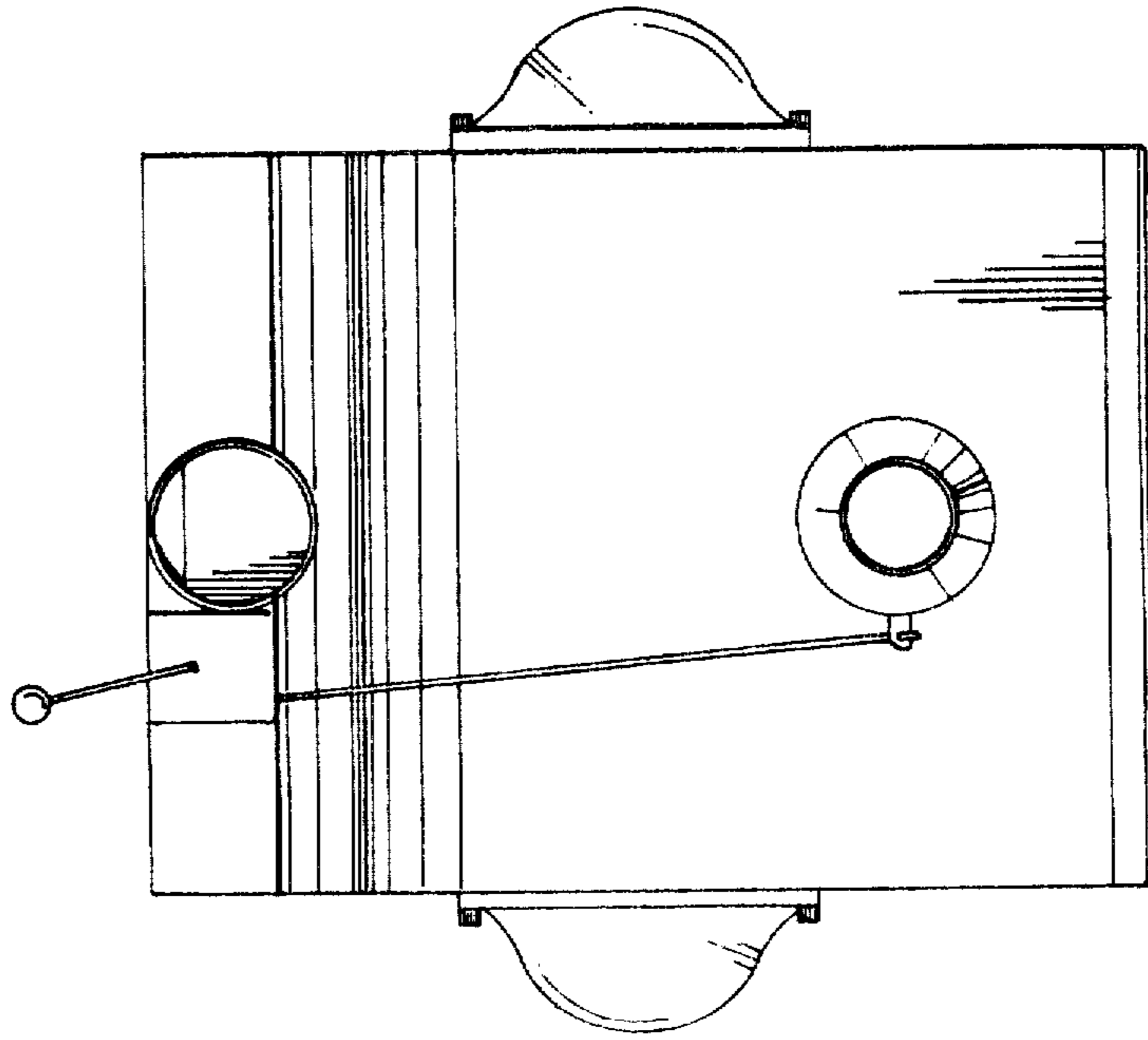


FIG. 11