

[54] WOOD STOVE

[56] References Cited

U.S. PATENT DOCUMENTS

[76] Inventor: James F. Chastain, Jr., P.O. Box 267, Fountain Inn, S.C. 29644

D. 265,240 6/1982 Kooles ..... D23/97

Primary Examiner—Catherine E. Kemper  
Attorney, Agent, or Firm—Dority & Flint

[\*\*] Term: 14 Years

[57] CLAIM

[21] Appl. No.: 346,265

The ornamental design for a wood stove, substantially as shown and described.

DESCRIPTION

[22] Filed: Feb. 5, 1982

FIG. 1 is a front elevational view of a wood stove, showing my new design;

FIG. 2 is a top plan view thereof;

[51] Int. Cl. .... D23—03

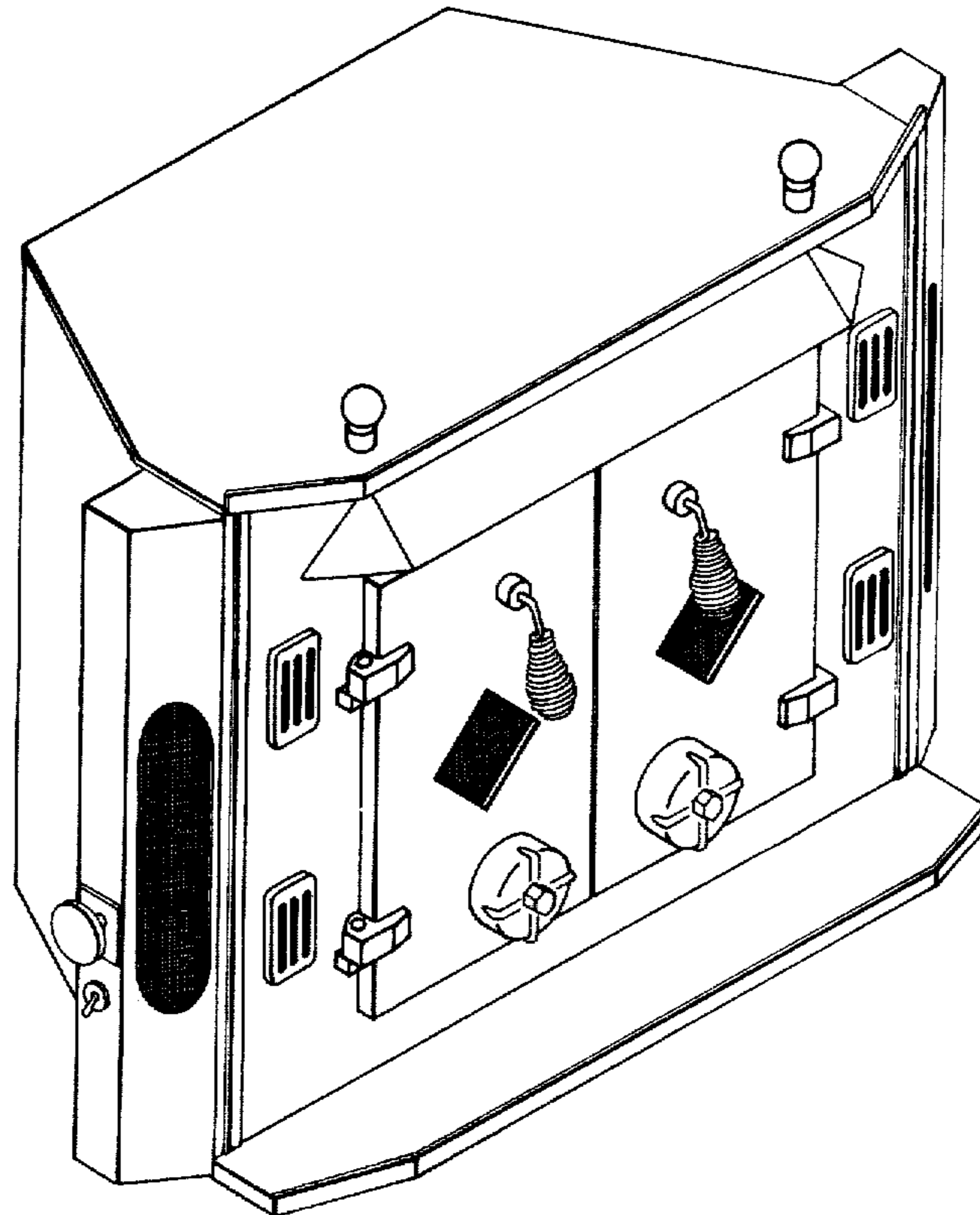
FIG. 3 is a side elevational view, the opposite side being a mirror image thereof;

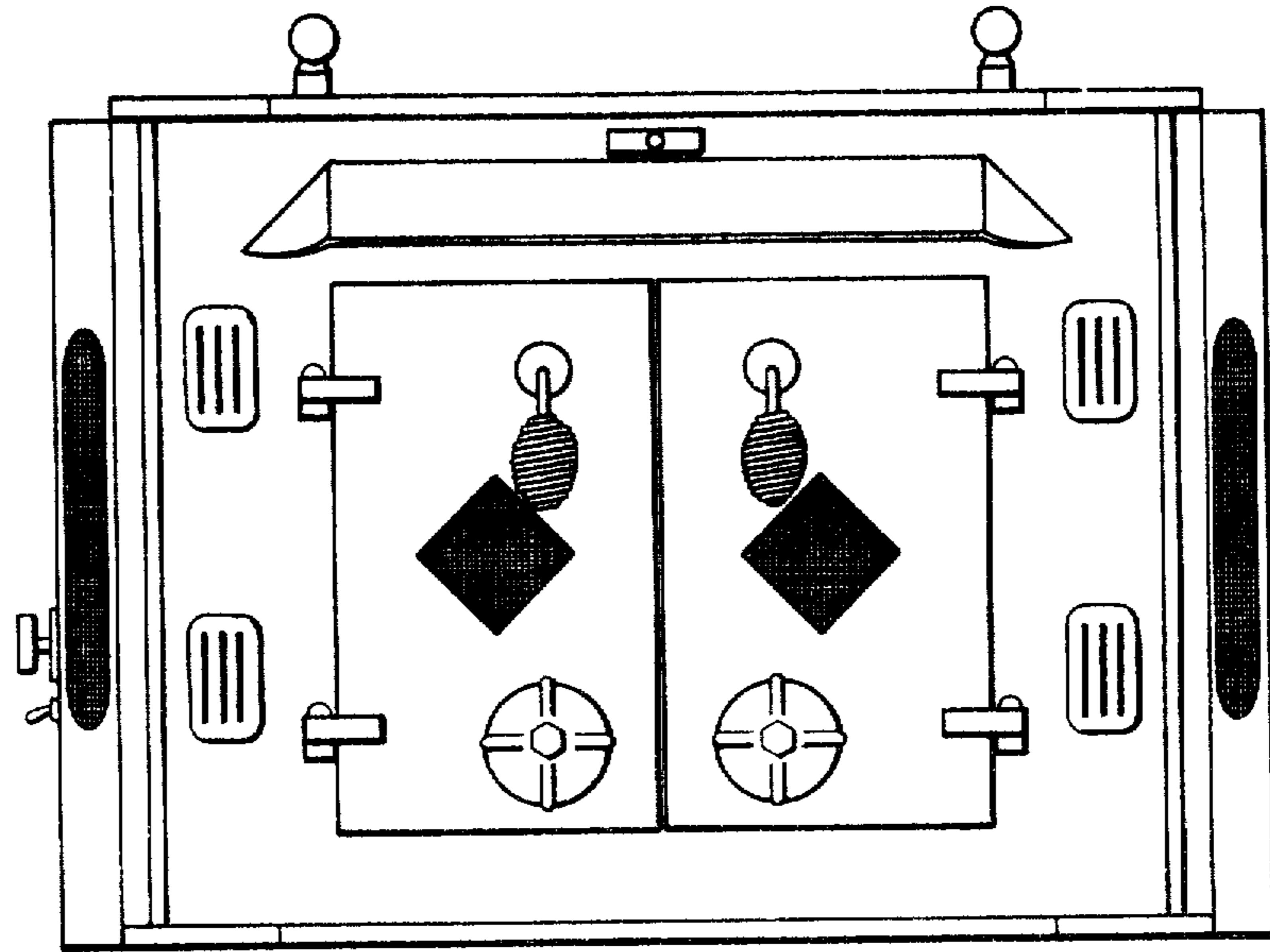
[52] U.S. Cl. .... D23/93

FIG. 4 is a rear elevational view thereof;

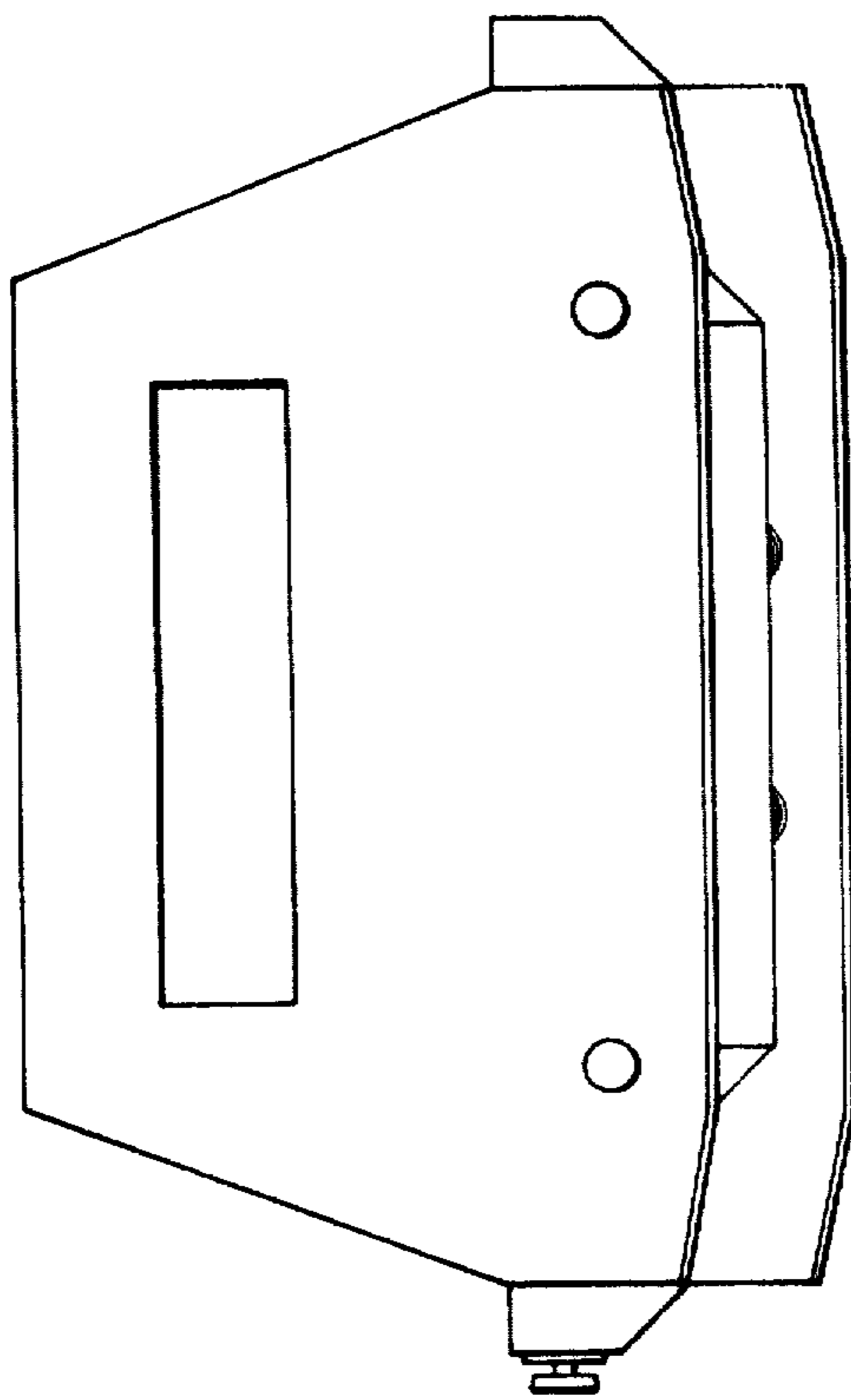
[58] Field of Search ..... D23/92, 97; 126/4, 6, 126/58, 60-66, 120, 121, 123, 126

FIG. 5 is a front perspective view thereof.

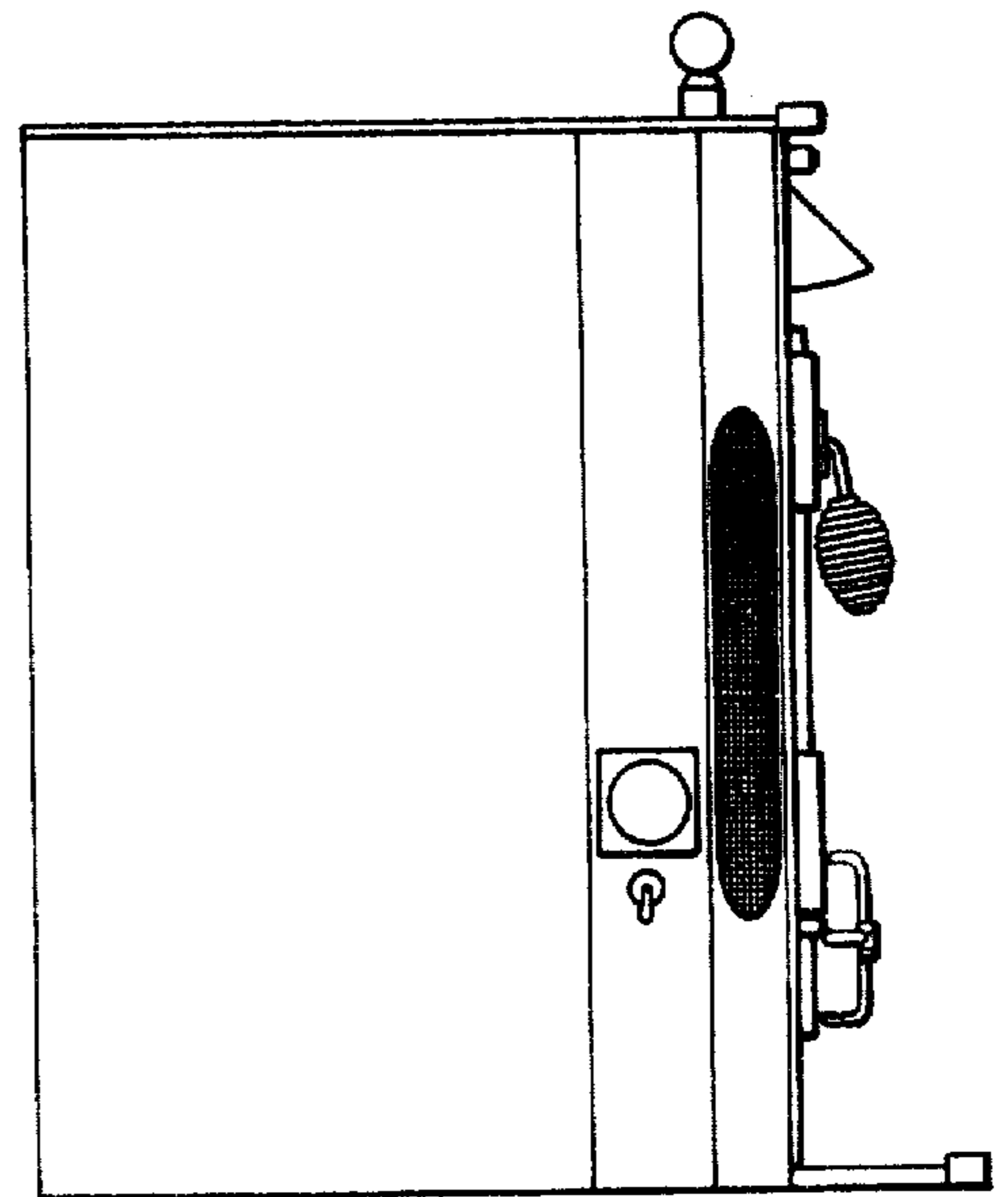




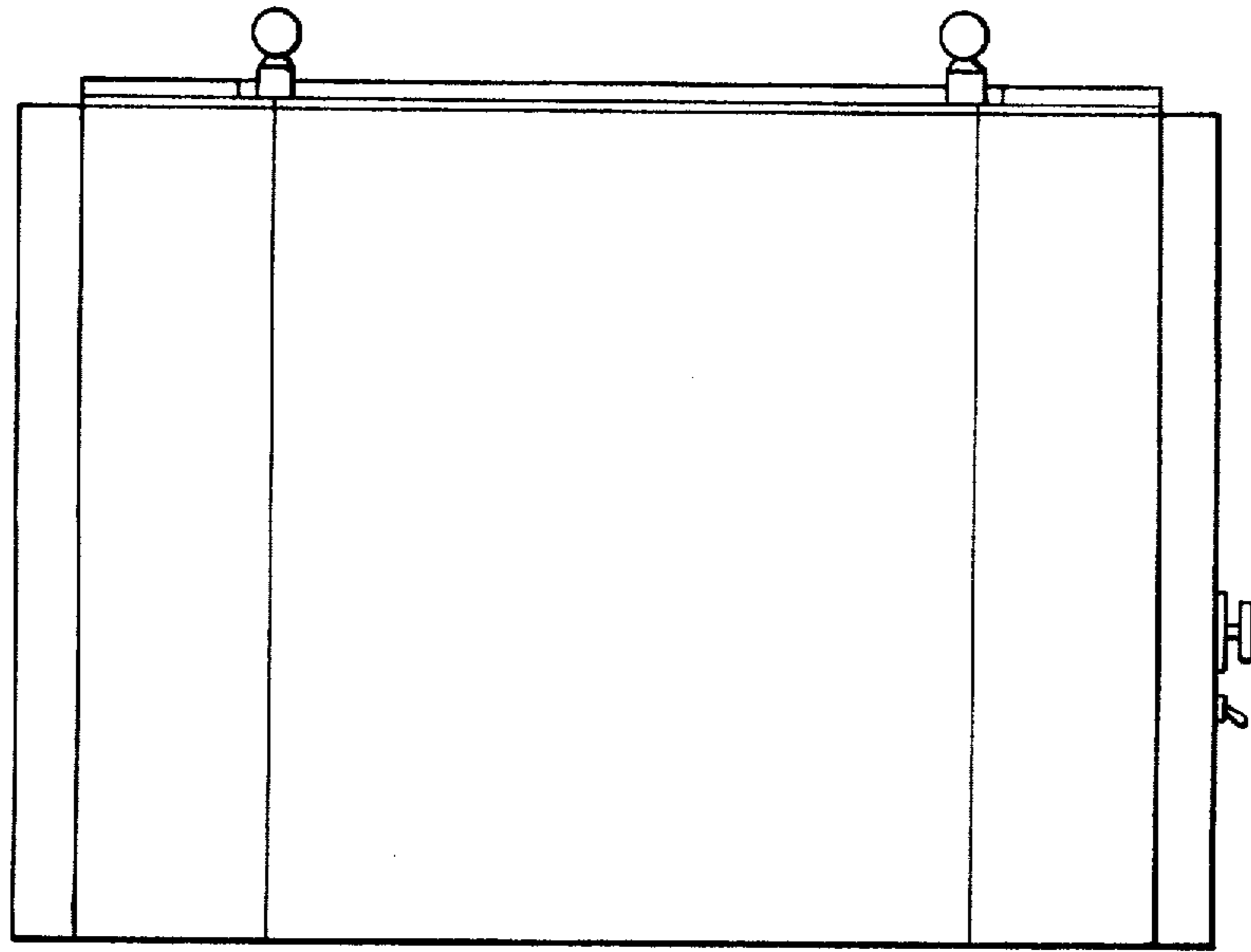
*Fig. 1*



*Fig. 2*



*Fig. 3*



*Fig. 4*

*Fig. 5*

