

[54] **CLOSED FACE SPINNING REEL**
[75] **Inventor: R. Dell Hull, Catoosa, Okla.**
[73] **Assignee: Brunswick Corporation, Skokie, Ill.**
[**] **Term: 14 Years**
[21] **Appl. No.: 319,289**
[22] **Filed: Nov. 9, 1981**

Related U.S. Application Data

[63] Continuation of Ser. No. 92,093, Nov. 7, 1979, which is a continuation of Ser. No. 814,787, Jul. 11, 1977, abandoned, which is a continuation-in-part of Ser. No. 740,251, Nov. 10, 1976, abandoned.
[51] **Int. Cl. D22-05**
[52] **U.S. Cl. D22/25**
[58] **Field of Search D25/25, 23, 26;**
43/18 R, 20, 22; 242/84.1 R, 84.2 A,
84.2 B, 84.2 C

[56] **References Cited**
U.S. PATENT DOCUMENTS
D. 159,986 9/1950 Hull D22/25
D. 226,850 5/1973 Hull D22/25
D. 231,225 4/1974 Hull D22/25
2,929,578 3/1960 Hull 242/84.2

OTHER PUBLICATIONS

p. 13, Zebco 75 Catalogue.
Primary Examiner—A. Hugo Word
Attorney, Agent, or Firm—John G. Heimovics

[57] **CLAIM**

The ornamental design for a closed face spinning reel, as shown and described.

DESCRIPTION

FIG. 1 is a perspective view of the new reel.
FIG. 2 is a front elevational view of the reel of FIG. 1.
FIGS. 3 and 4 are opposite side elevational views of the reel of FIG. 1.
FIG. 5 is a bottom view of the reel of FIG. 1.
FIG. 6 is a back elevational view of the reel of FIG. 1.

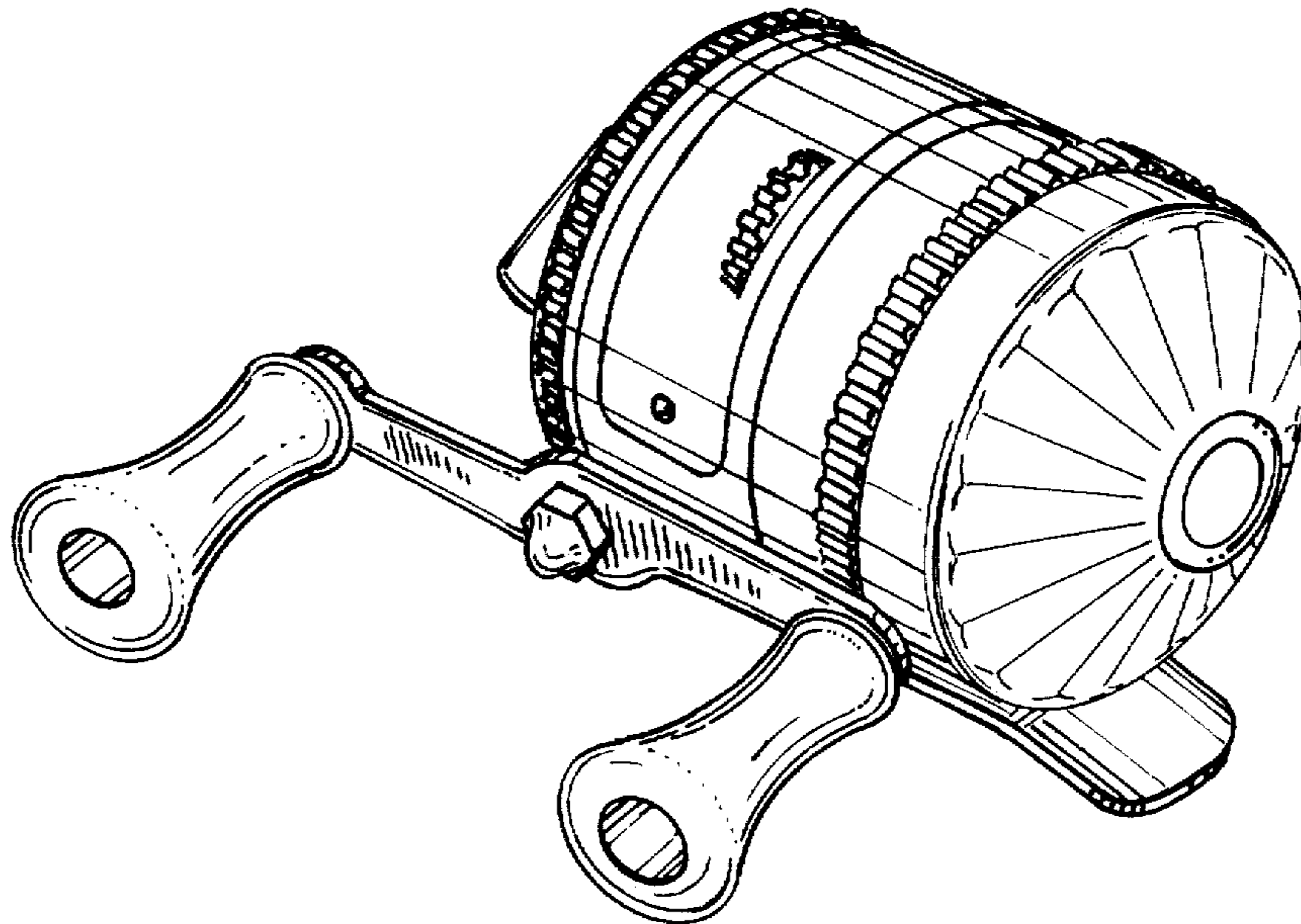


FIG. 1

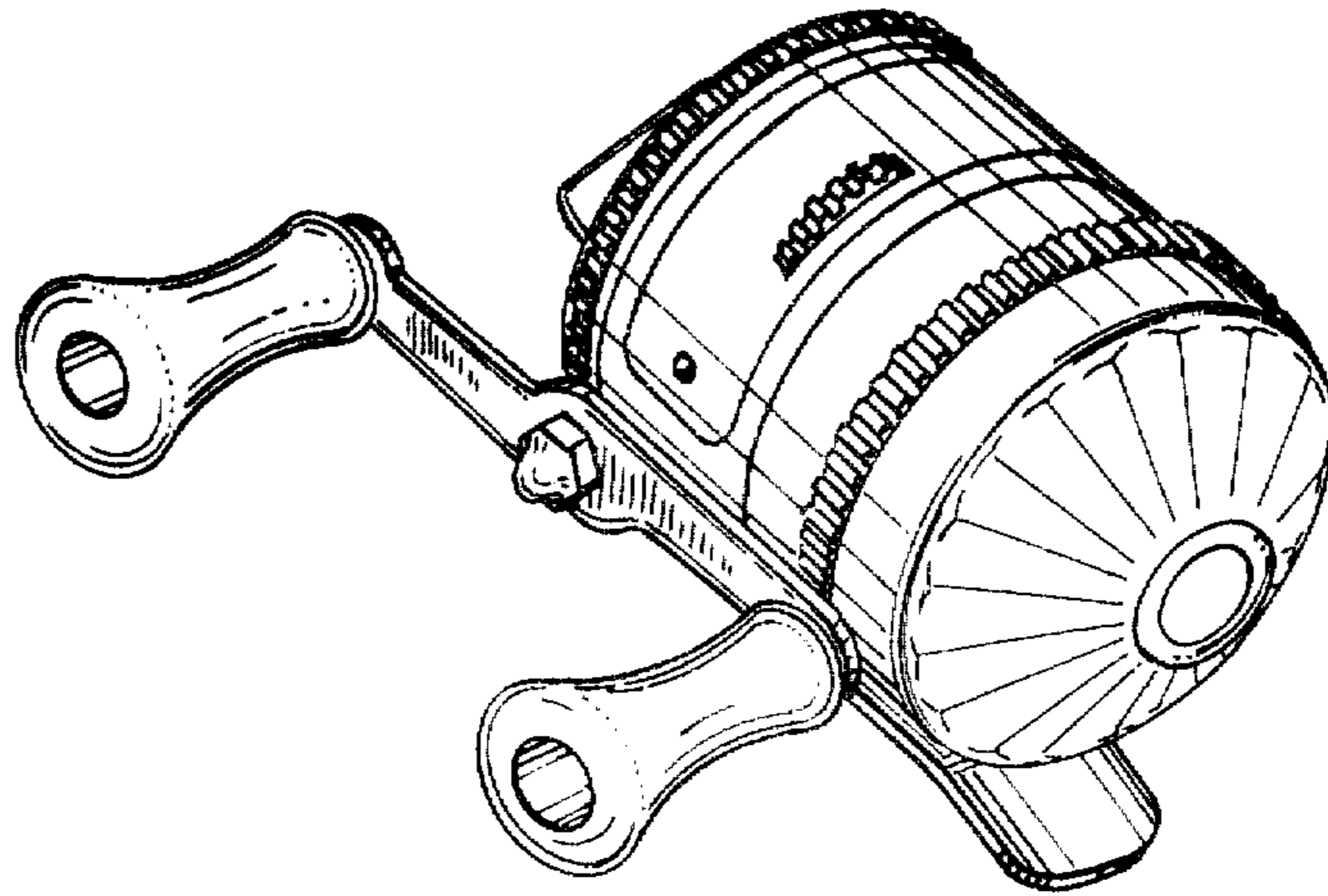


FIG. 2

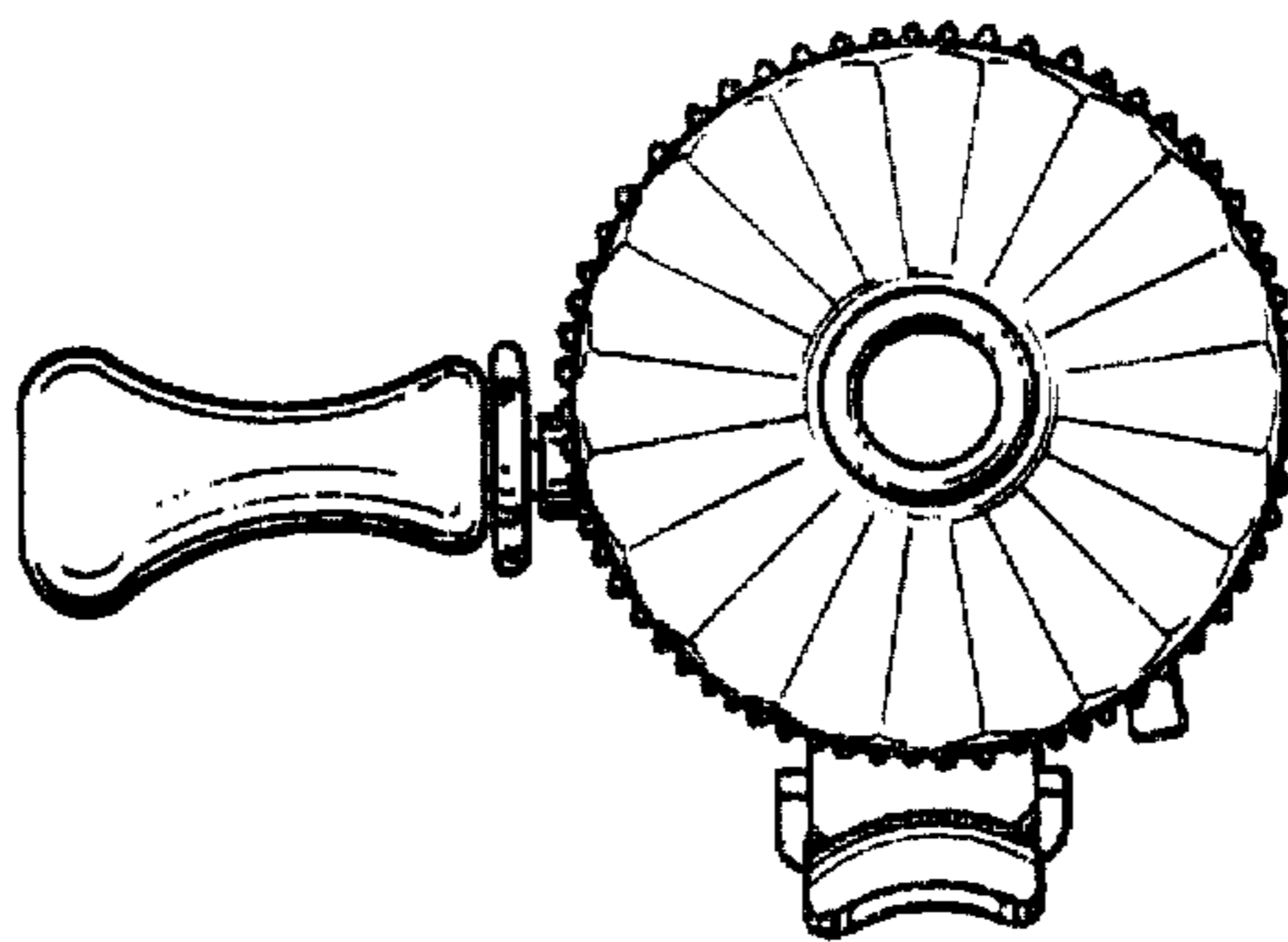


FIG. 3

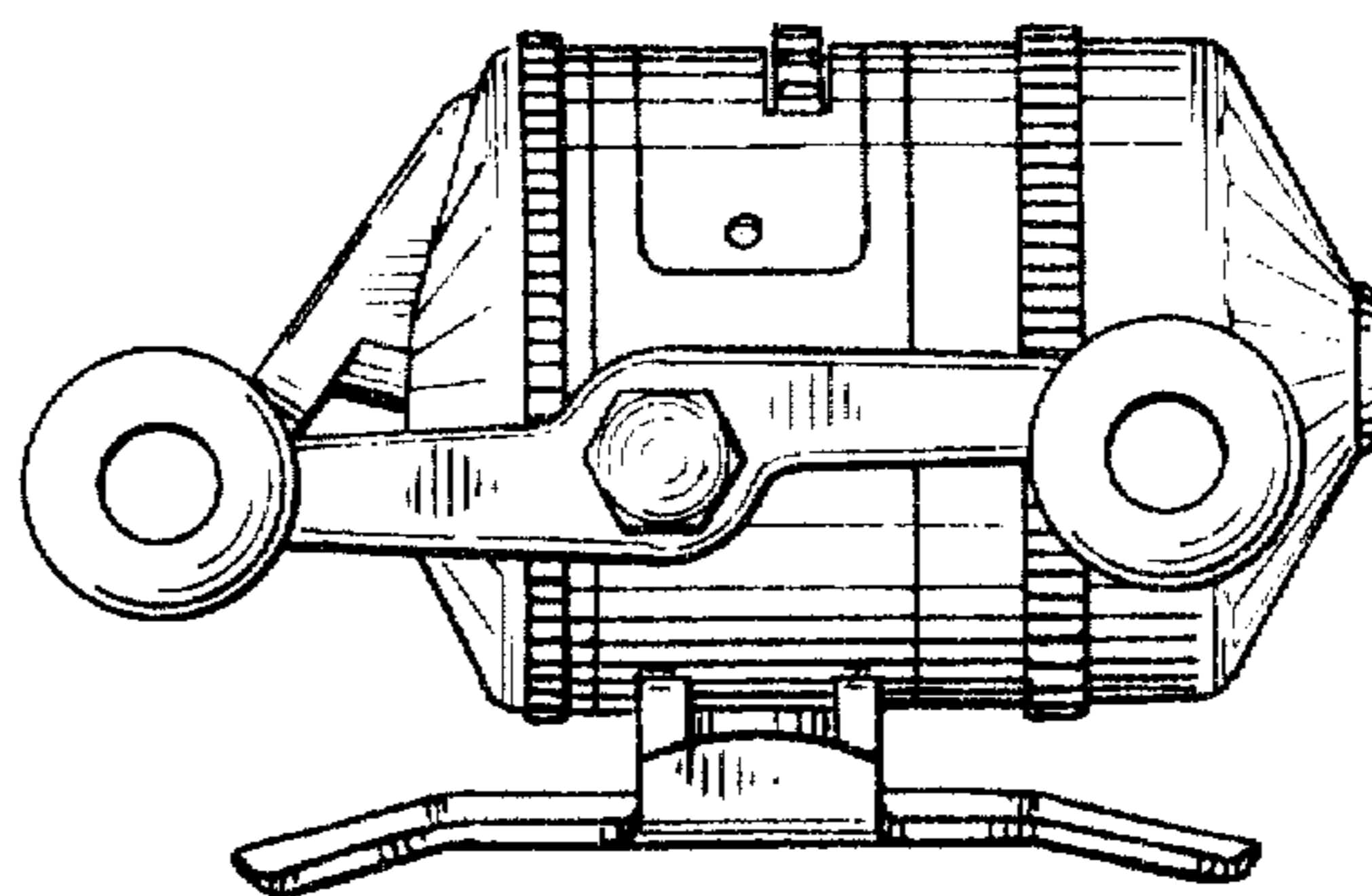


FIG. 4

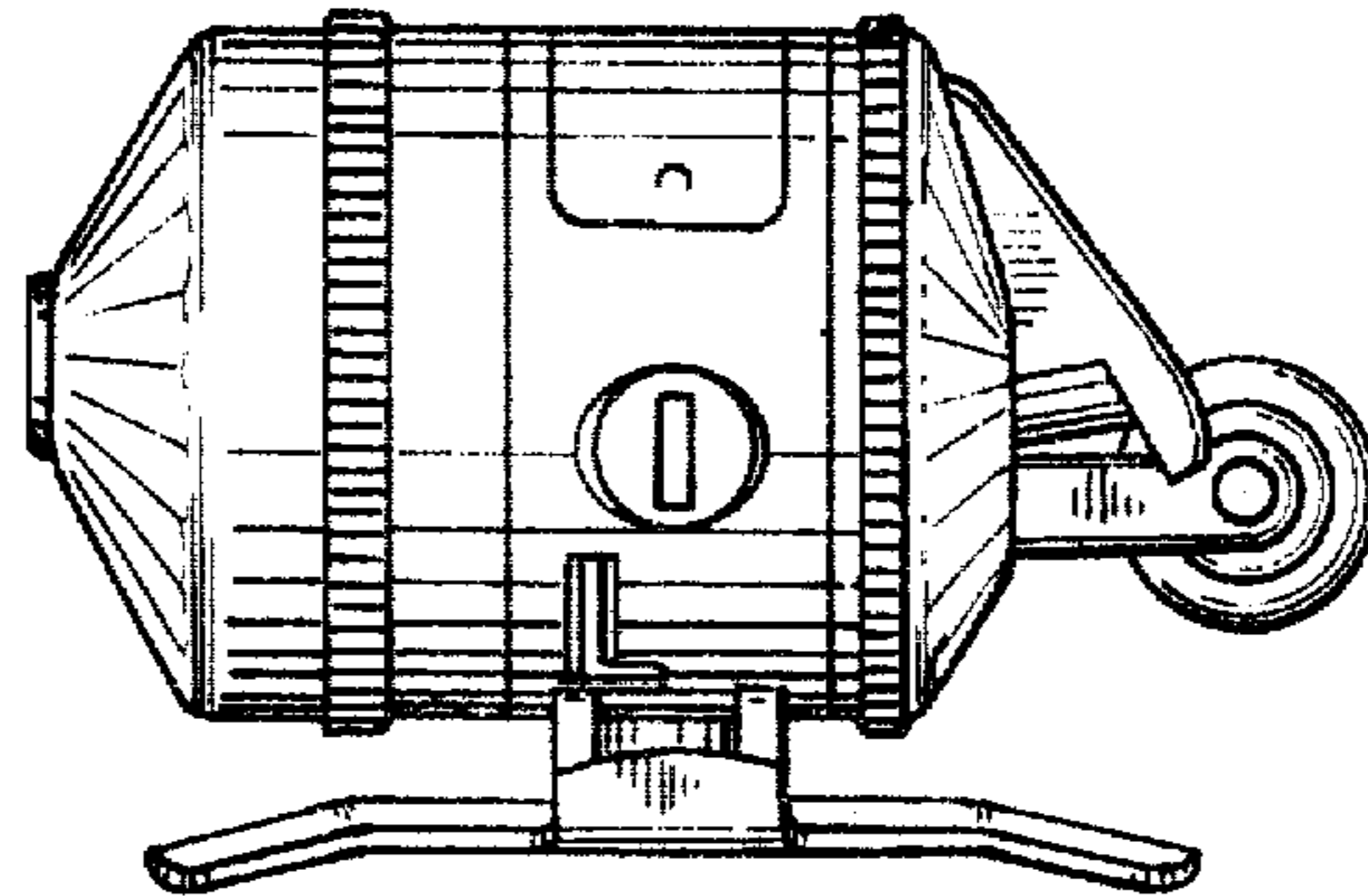


FIG. 5

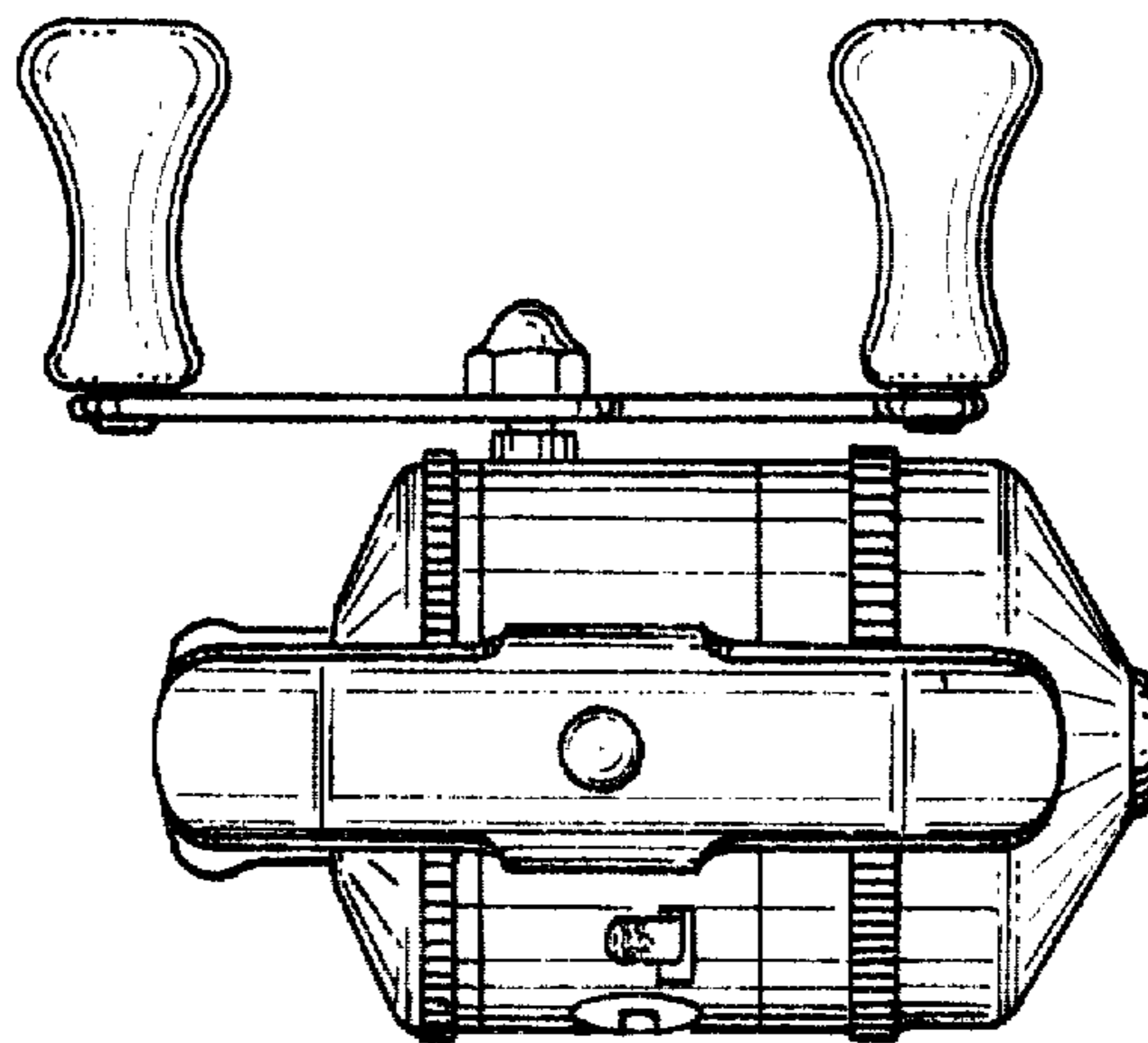


FIG. 6

