

[54] **TOY BLOCK**
[75] **Inventors:** Yasushi Chatani, Tokorozawa;
Toshio Tsuchikura, Koshigaya, both
of Japan
[73] **Assignee:** Kawada Co., Ltd., Tokyo, Japan
[**] **Term:** 14 Years
[21] **Appl. No.:** 64,489
[22] **Filed:** Aug. 7, 1979
[51] **Int. Cl.** D21-01
[52] **U.S. Cl.** D21/108
[58] **Field of Search** D21/104-108;
46/16, 17, 22, 23, 24, 25, 26, 27, 28, 29, 31;
D25/86, 85, 80

[56] **References Cited**
U.S. PATENT DOCUMENTS
D. 174,950 6/1955 Frishberg D21/108

D. 233,541 11/1974 Christiansen D21/108

FOREIGN PATENT DOCUMENTS

523660 9/1920 France 46/26

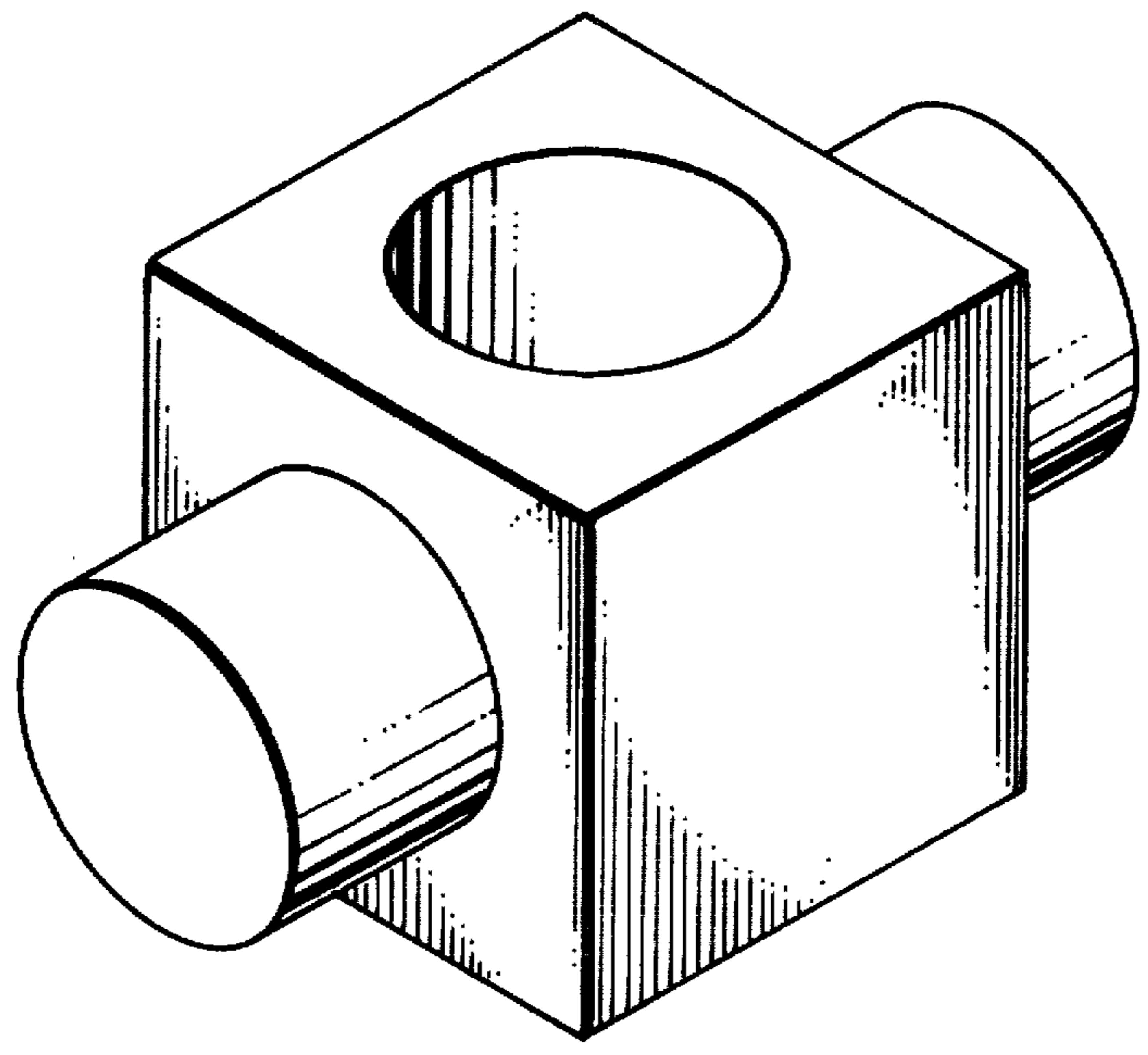
Primary Examiner—Charles A. Rademaker
Attorney, Agent, or Firm—Don B. Finkelstein

[57] **CLAIM**

The ornamental design for a toy block, as shown and described.

DESCRIPTION

FIG. 1 is a perspective view of a toy block showing our new design;
FIG. 2 is a top plan view thereof, the bottom plan view being identical;
FIG. 3 is a left side elevational view thereof, the side opposite being identical;
FIG. 4 is a front elevational view thereof, the end opposite being identical; and
FIG. 5 is a sectional view along the line 5-5 of FIG. 2.



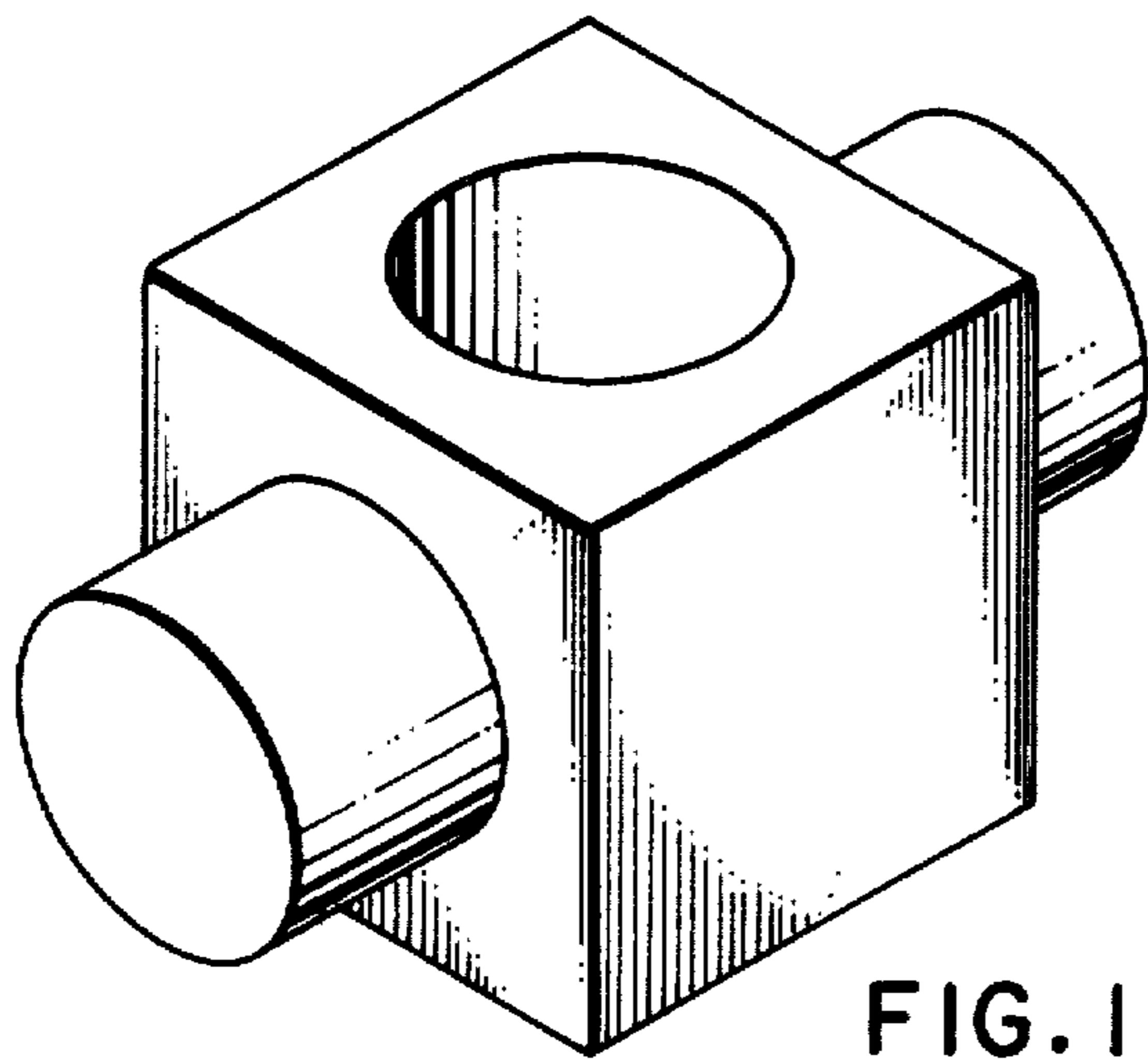


FIG. 1

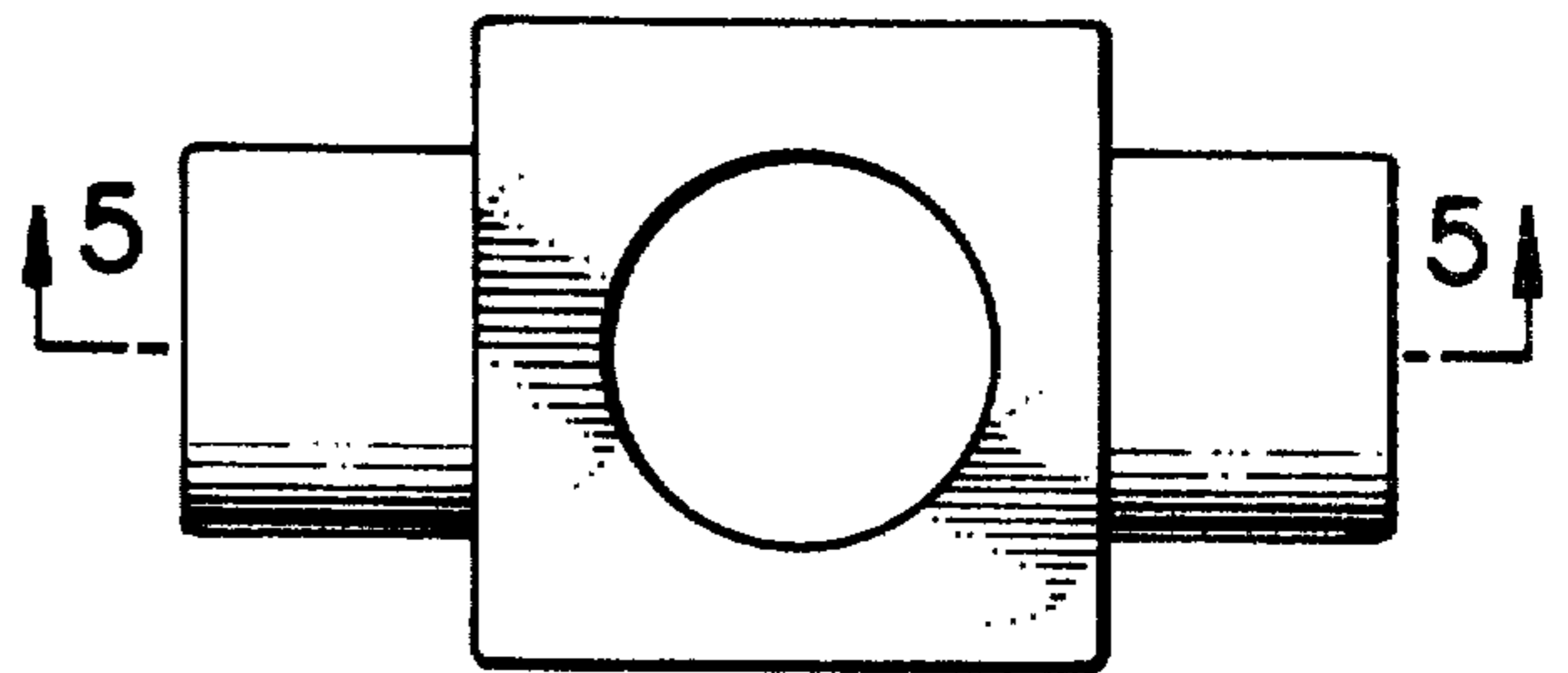


FIG. 2

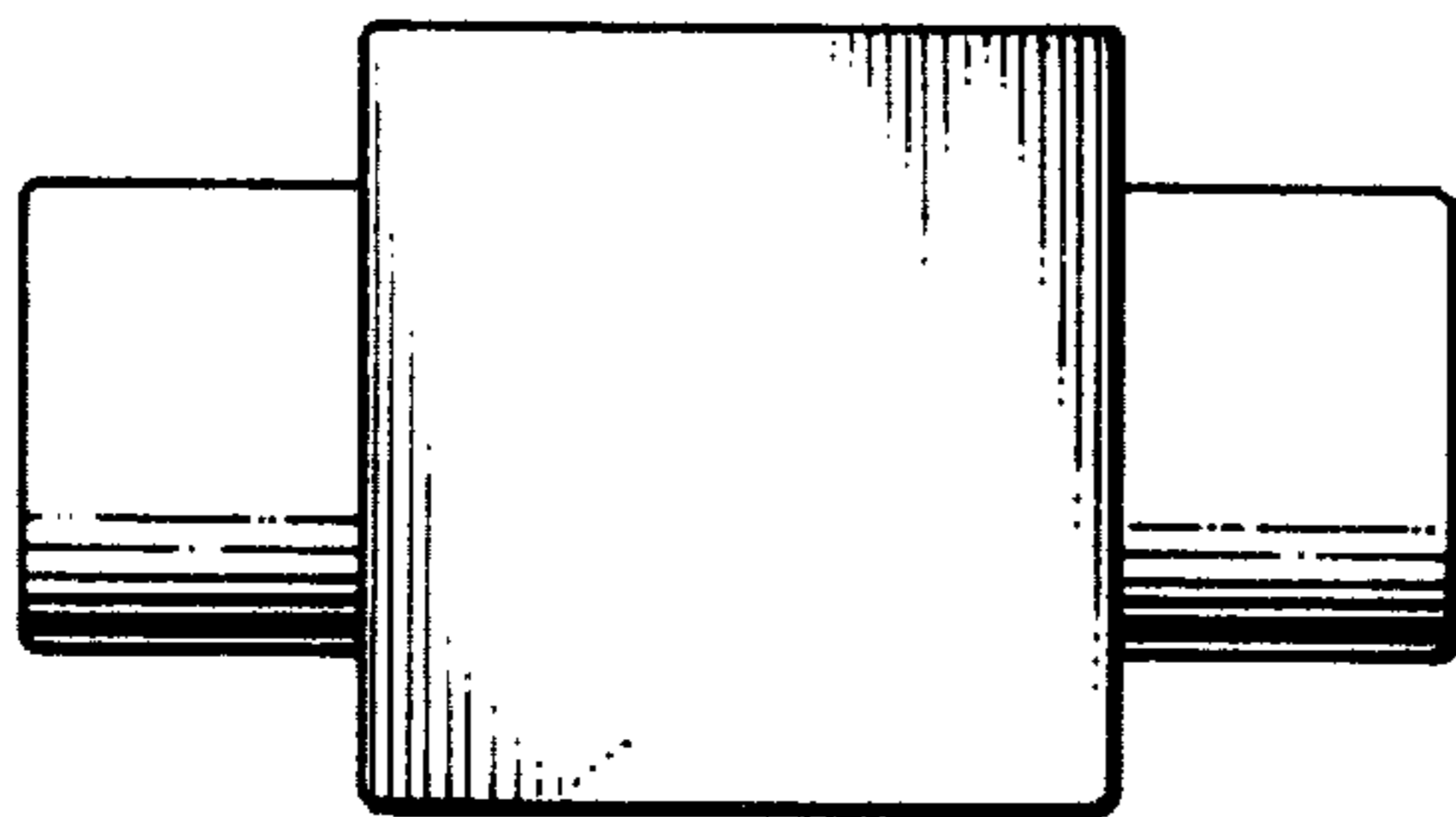


FIG. 3

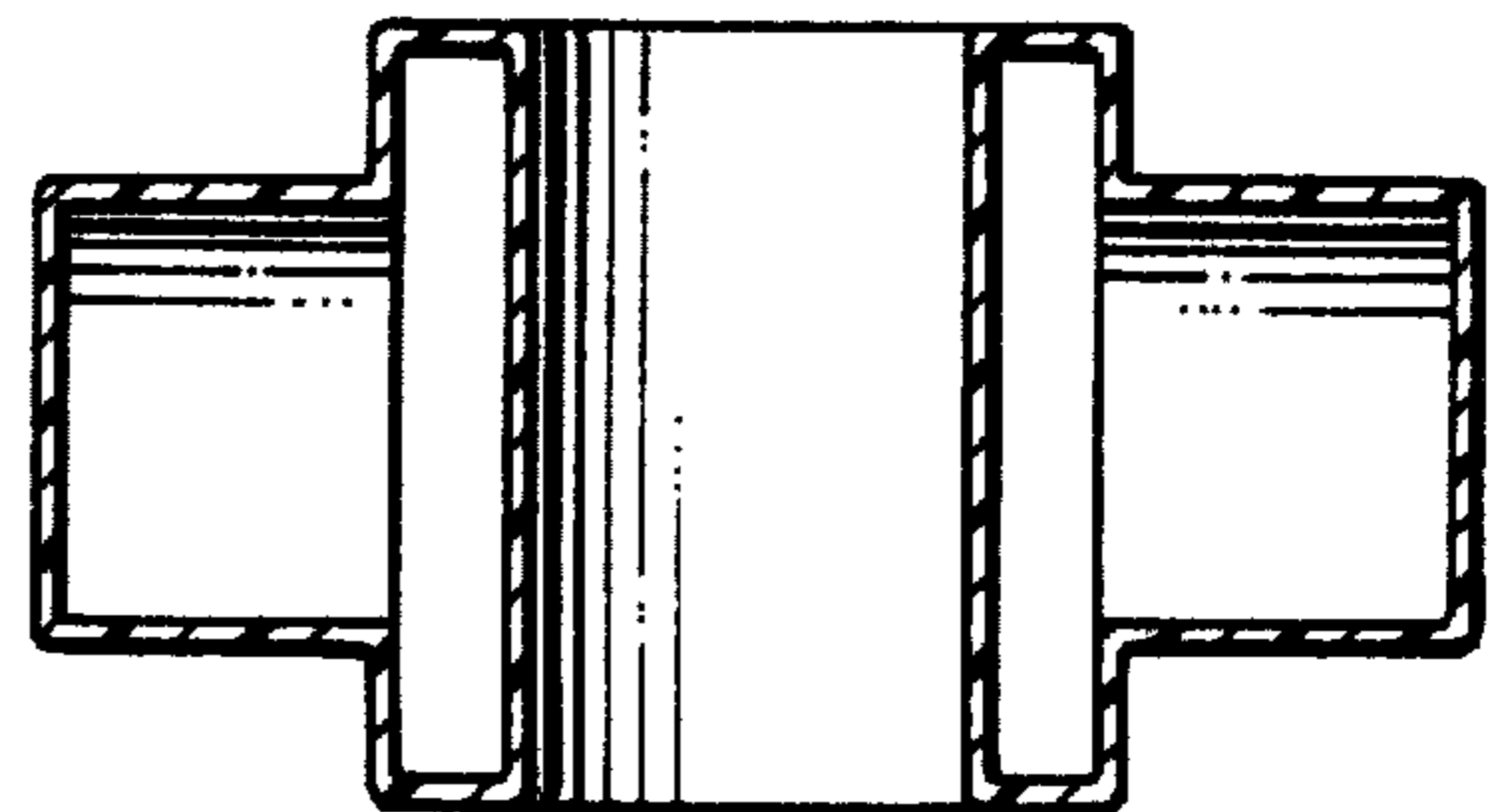


FIG. 5

FIG. 4

