

[54] RIDING TOY

[76] Inventor: Henry Orenstein, 136 Lakeside Ave., Verona, N.J. 07044

[**] Term: 14 Years

[21] Appl. No.: 303,414

[22] Filed: Sep. 18, 1981

[51] Int. Cl. D21-01

[52] U.S. Cl. D21/78

[58] Field of Search 280/1, 11 R, 1.191, 280/87.01, 87.02; D21/80, 71, 73, 76, 78, 81

[56] References Cited

U.S. PATENT DOCUMENTS

D. 227,130 6/1973 Pavolko et al. D21/80

D. 253,710 12/1979 Nakao et al. D21/78
3,902,739 9/1975 Kimura 280/1.11 R

Primary Examiner—Charles A. Rademaker
Attorney, Agent, or Firm—Gottlieb, Rackman & Reisman

[57] CLAIM

The ornamental design for a riding toy, as shown and described.

DESCRIPTION

FIG. 1 is a top plan view of a riding toy showing my new design;
FIG. 2 is a side elevational view thereof the side opposite being substantially a mirror image;
FIG. 3 is a front elevational view thereof;
FIG. 4 is a rear elevational view thereof; and
FIG. 5 is a bottom plan view thereof.

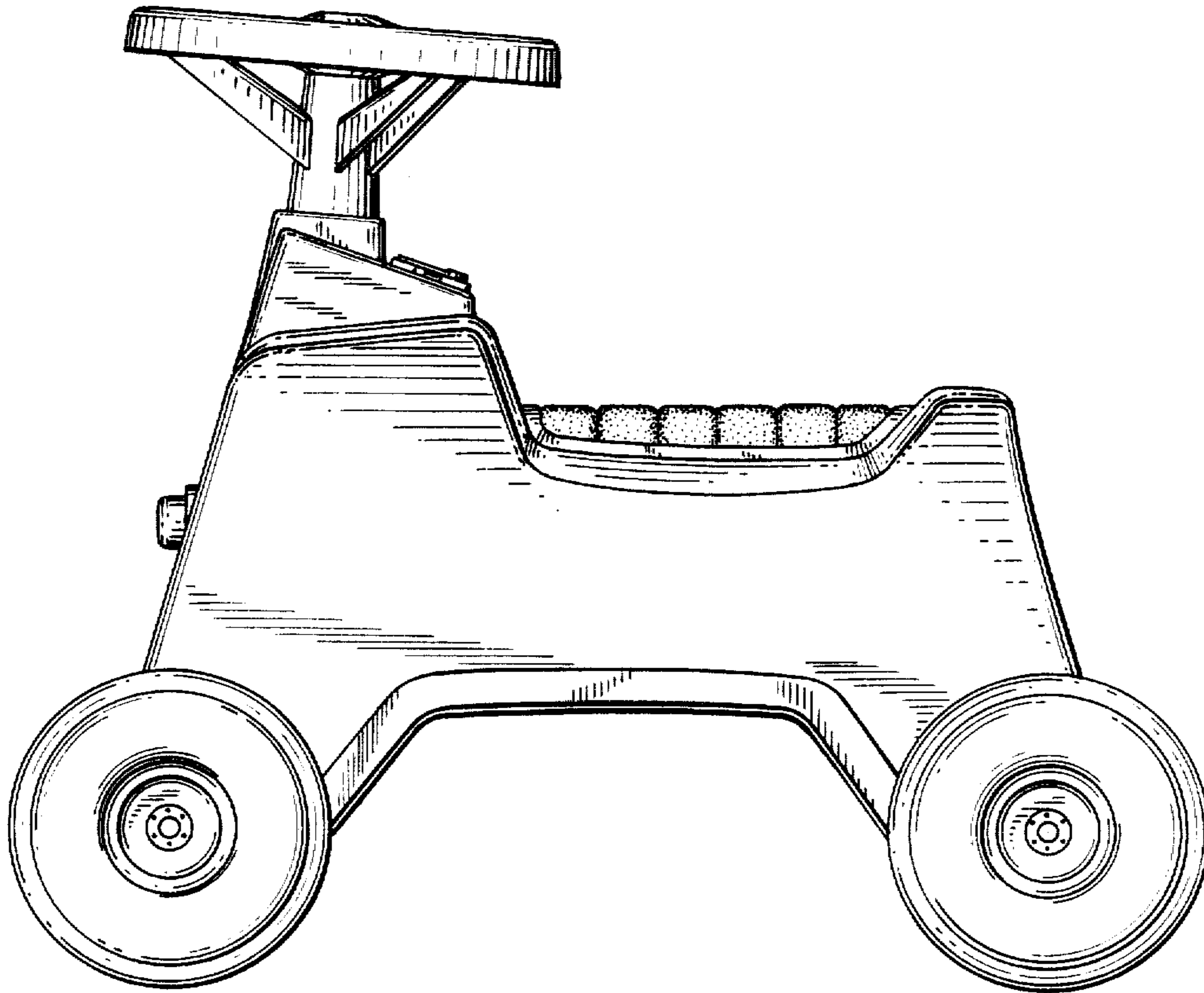


FIG. 1

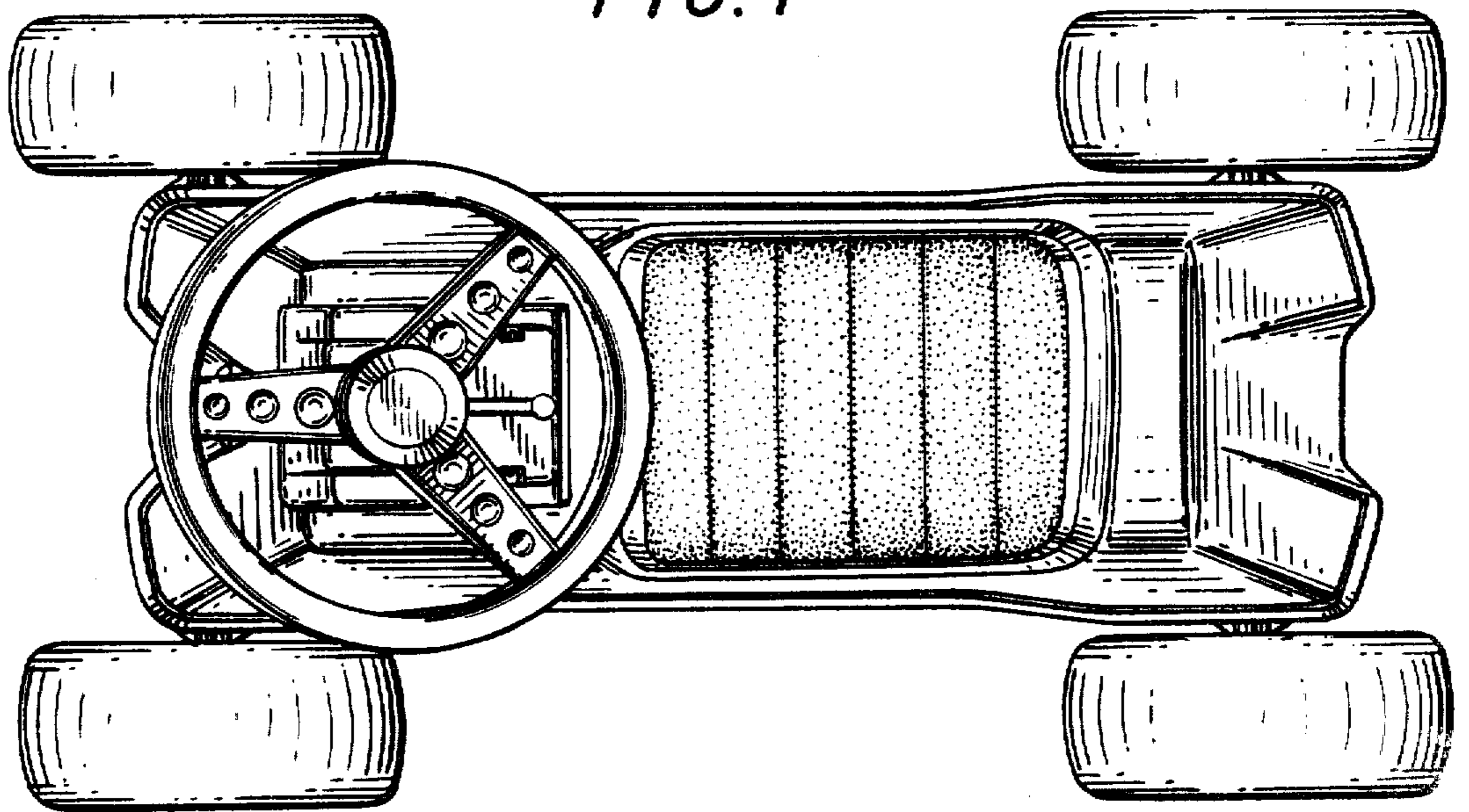
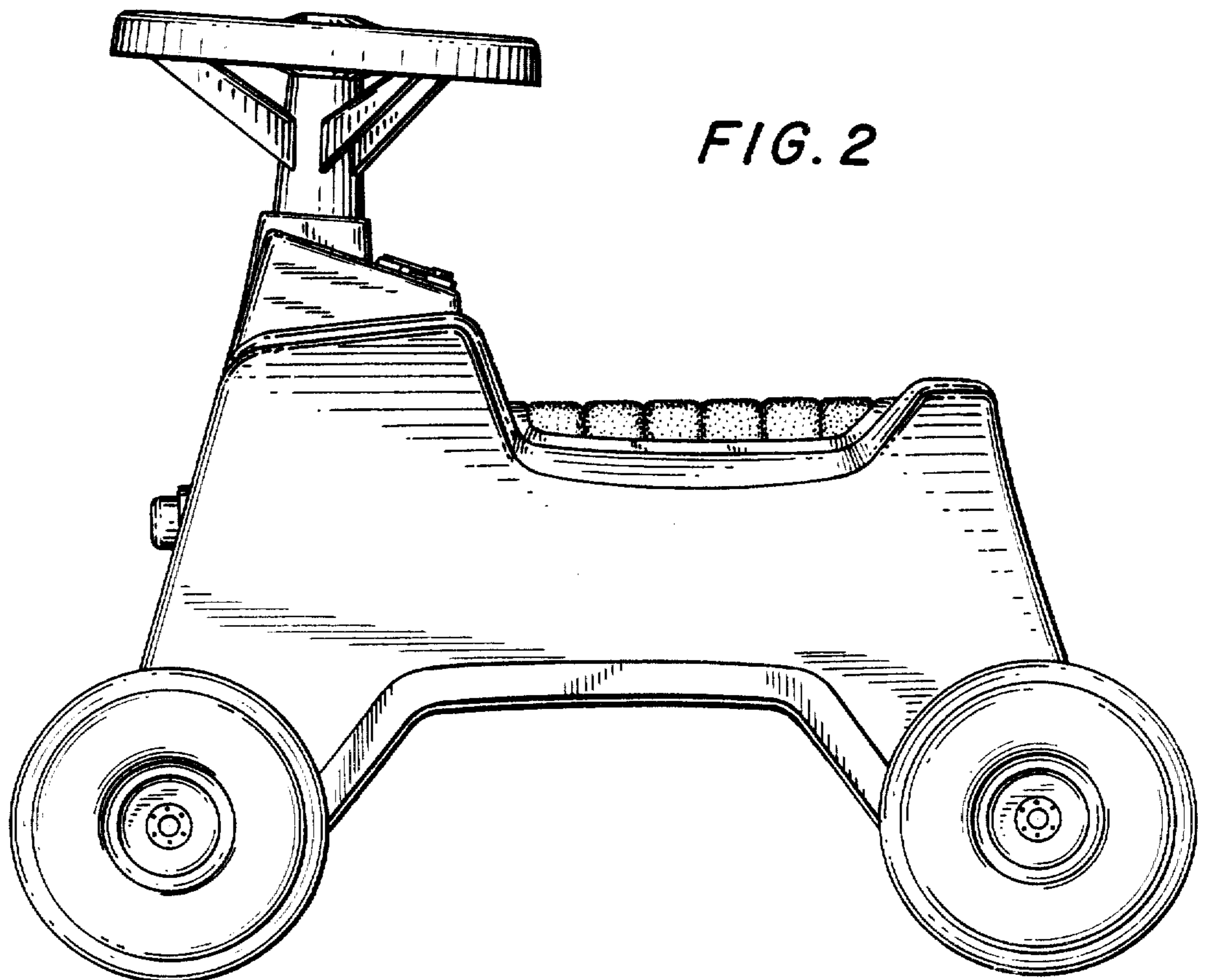


FIG. 2



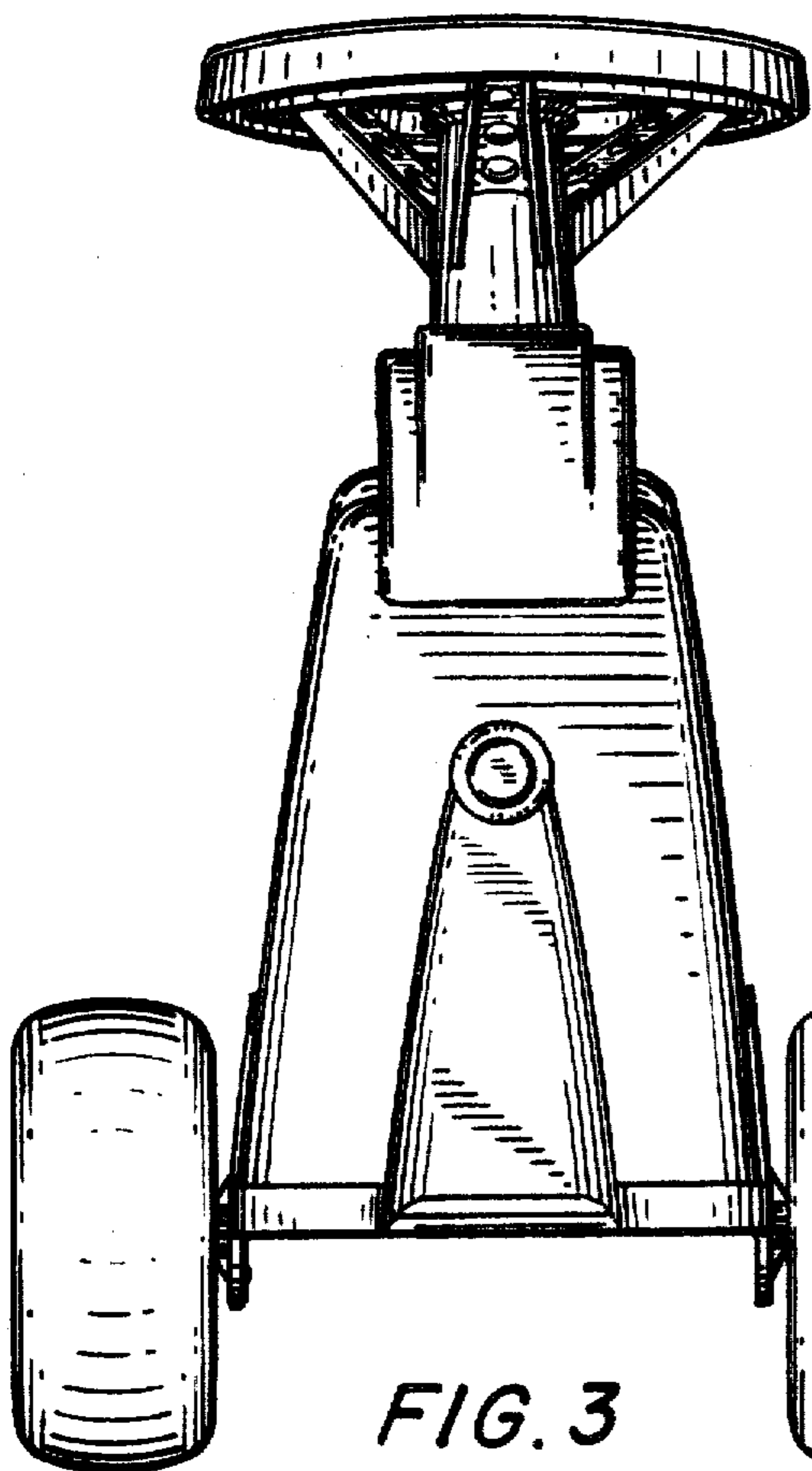


FIG. 3

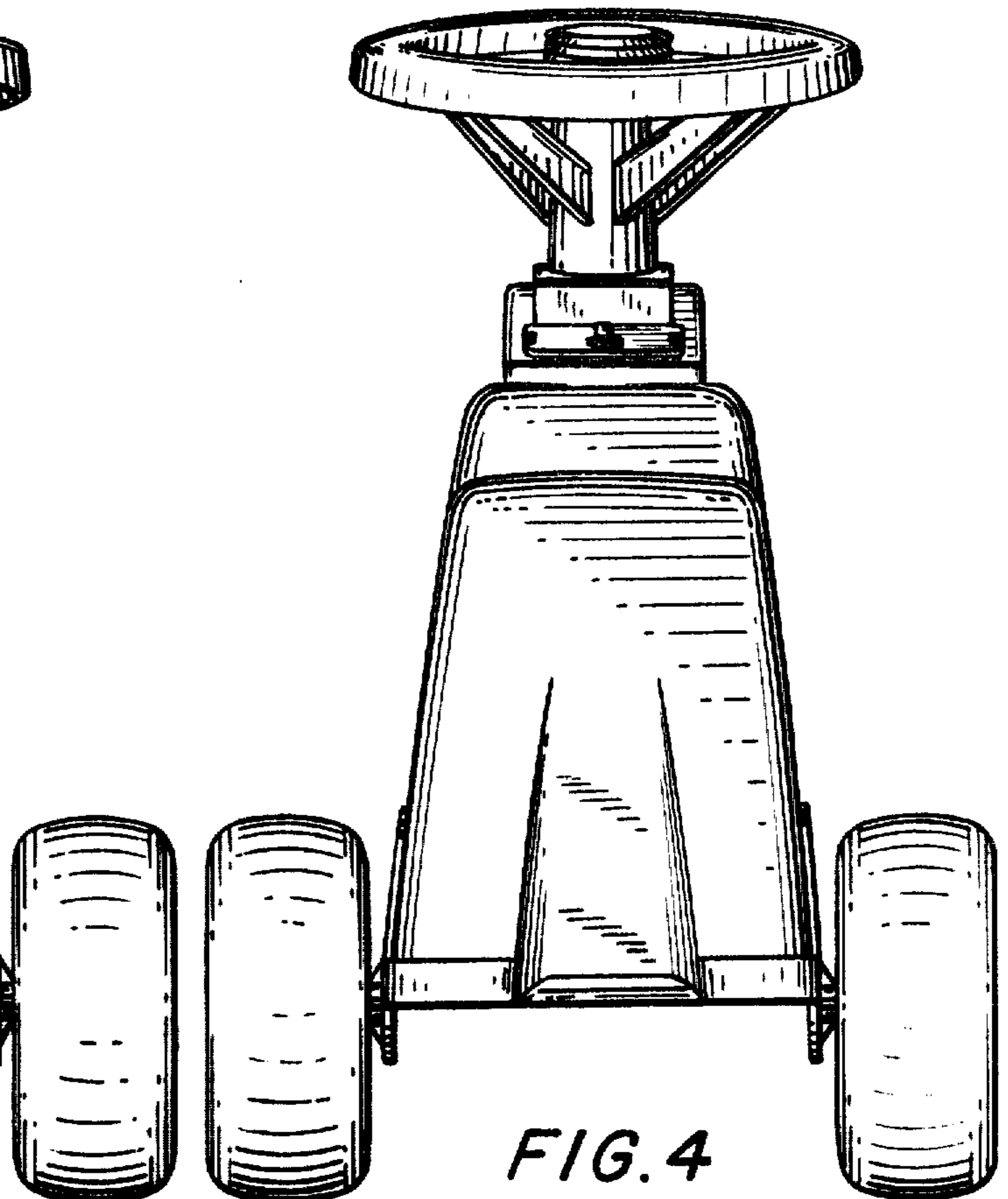


FIG. 4

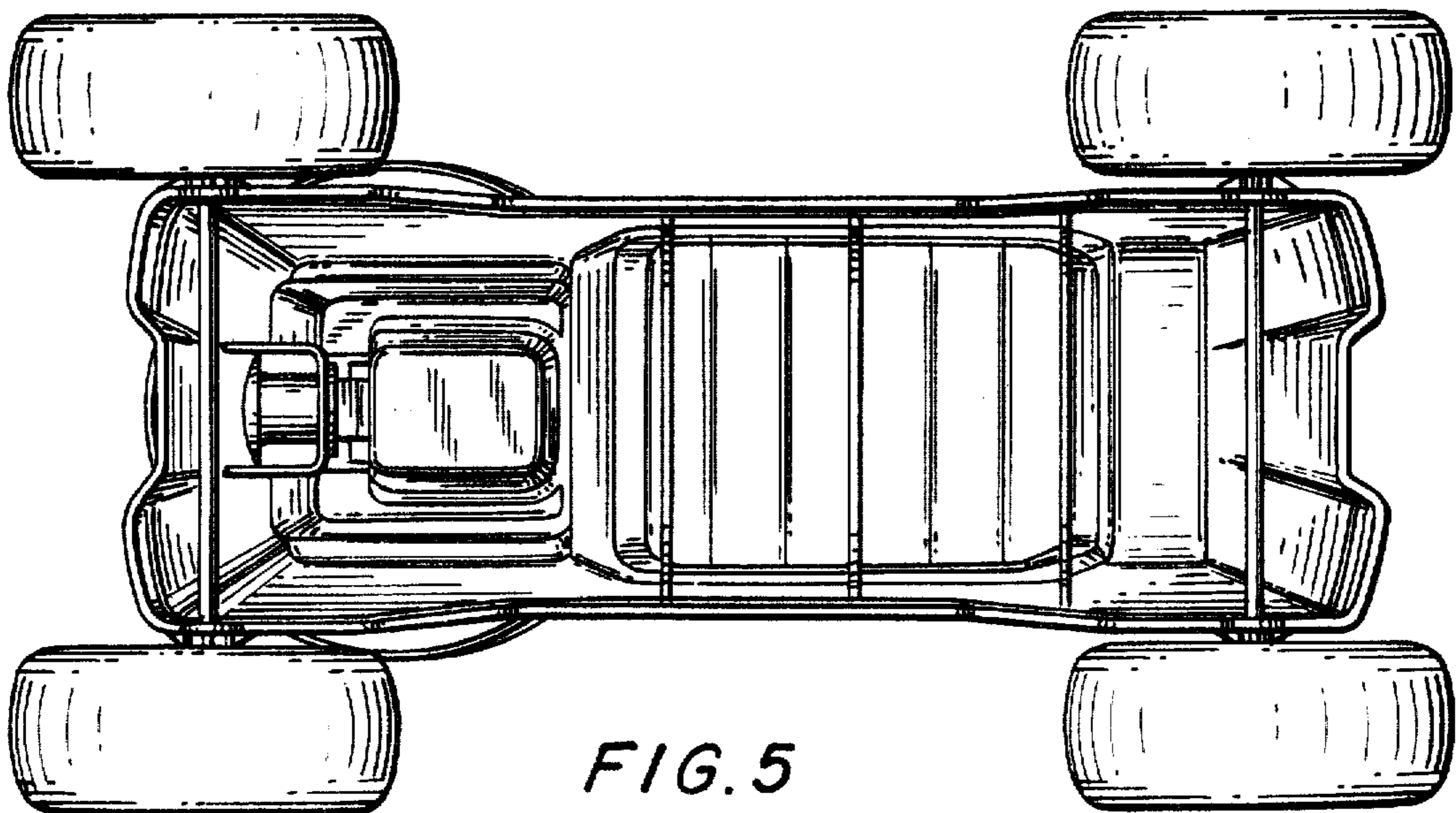


FIG. 5