

[54] HAND HOLDABLE HOUSING FOR A GAME

[75] Inventor: Toshiaki Takizawa, Tokyo, Japan

[73] Assignee: Tomy Kogyo Co., Inc., Tokyo, Japan

[**] Term: 14 Years

[21] Appl. No.: 338,187

[22] Filed: Jan. 8, 1982

[51] Int. Cl. D21-01

[52] U.S. Cl. D21/13

[58] Field of Search D21/13; 273/1 E, 1 ES, 273/85 G, DIG. 28, 237; D14/106

[56] References Cited

U.S. PATENT DOCUMENTS

D. 250,780 1/1979 Sauter D21/13

OTHER PUBLICATIONS

Montgomery Ward Xmas Cat., 1980, p. 485, lower left, item G, Break Up.

Primary Examiner—Melvin B. Feifer
Attorney, Agent, or Firm—K. H. Boswell; Edward D. O'Brian

[57] CLAIM

The ornamental design for hand holdable housing for a game, substantially as shown and described.

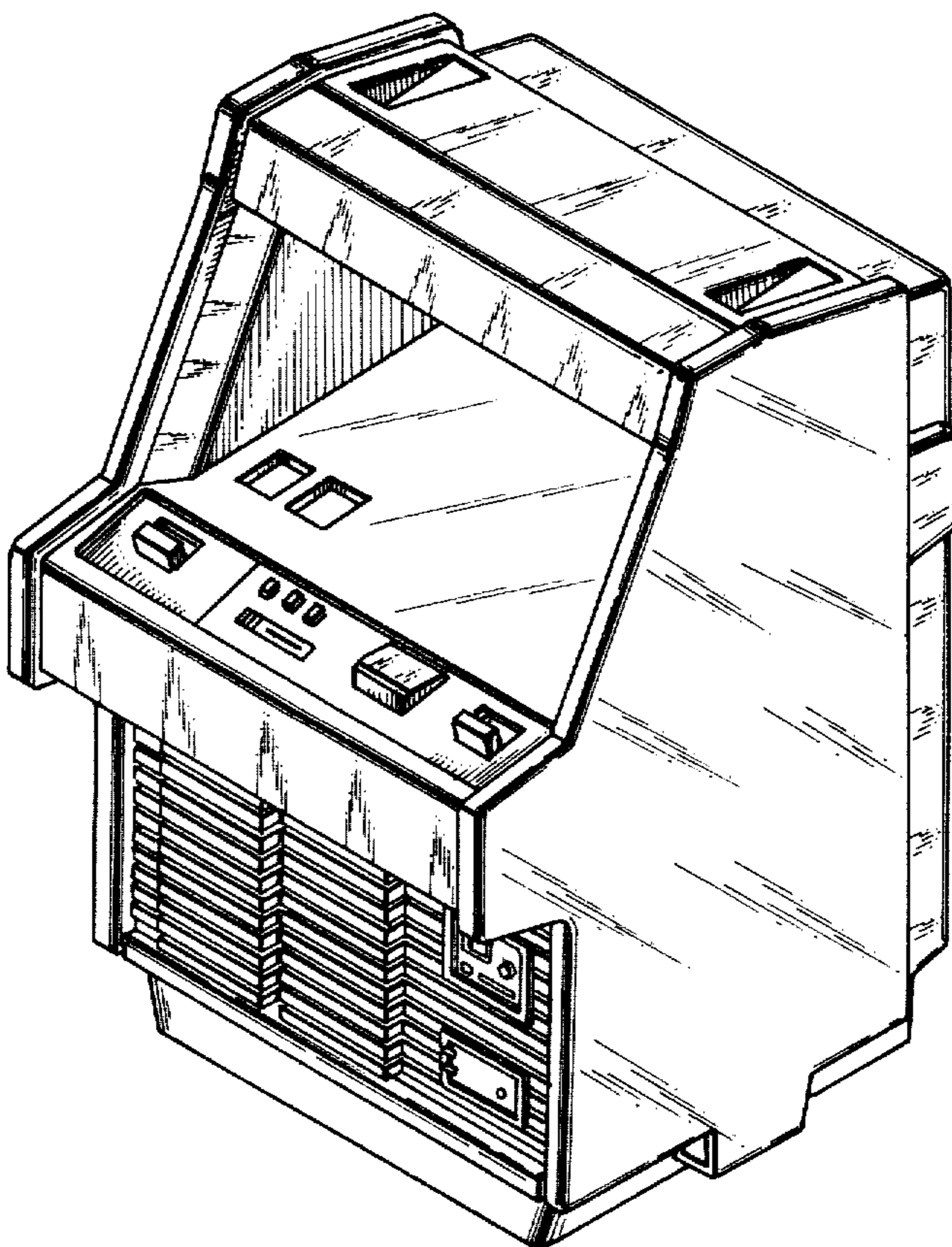
DESCRIPTION

FIG. 1 is an oblique view of the front, the top and the right side of my new design for a hand holdable housing for a game;

FIG. 2 is a side elevational view of the left side of the design of FIG. 1;

FIG. 3 is a rear elevational view of the design of FIG. 1; and

FIG. 4 is a bottom plan view of the design of FIG. 1.



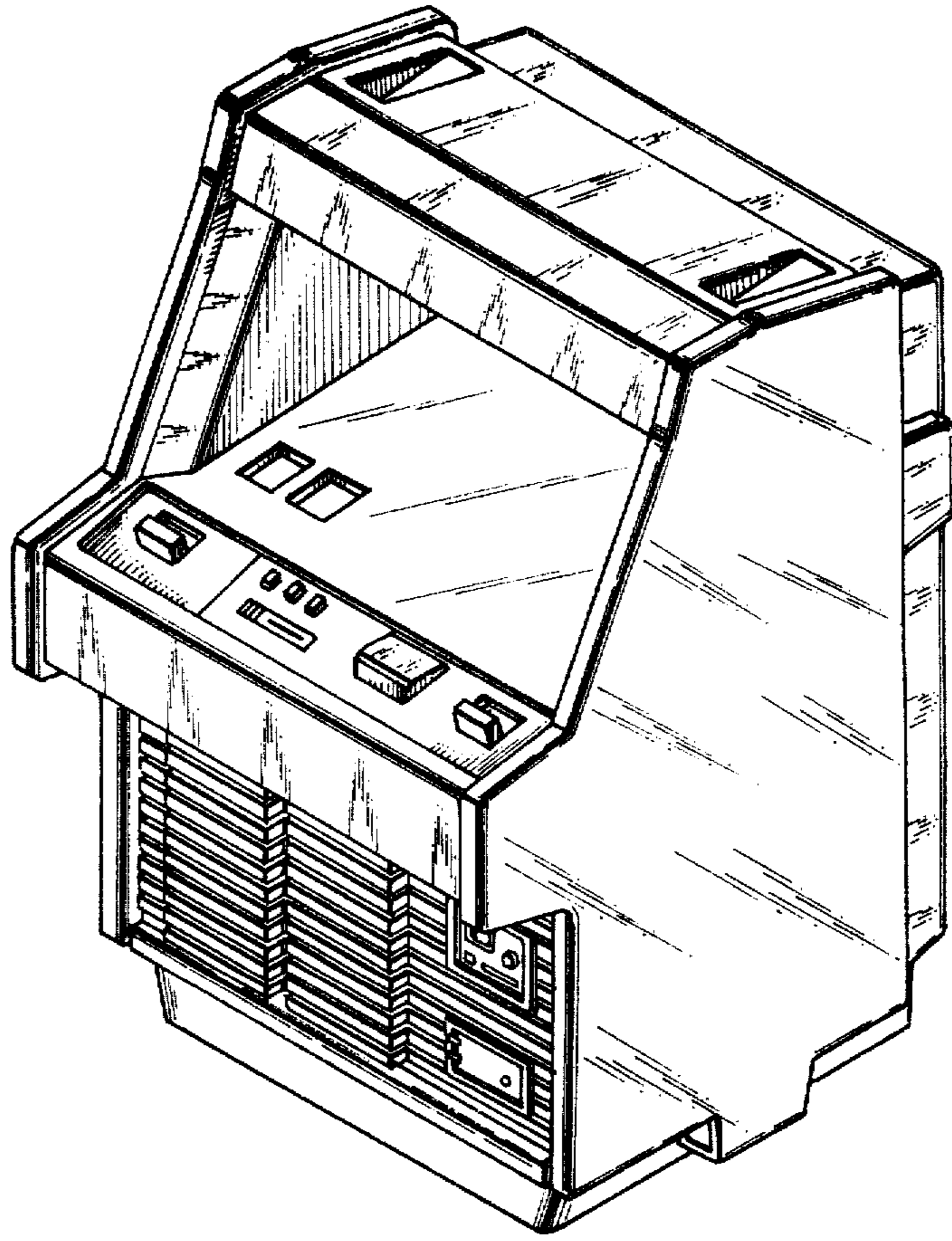


FIG. 1

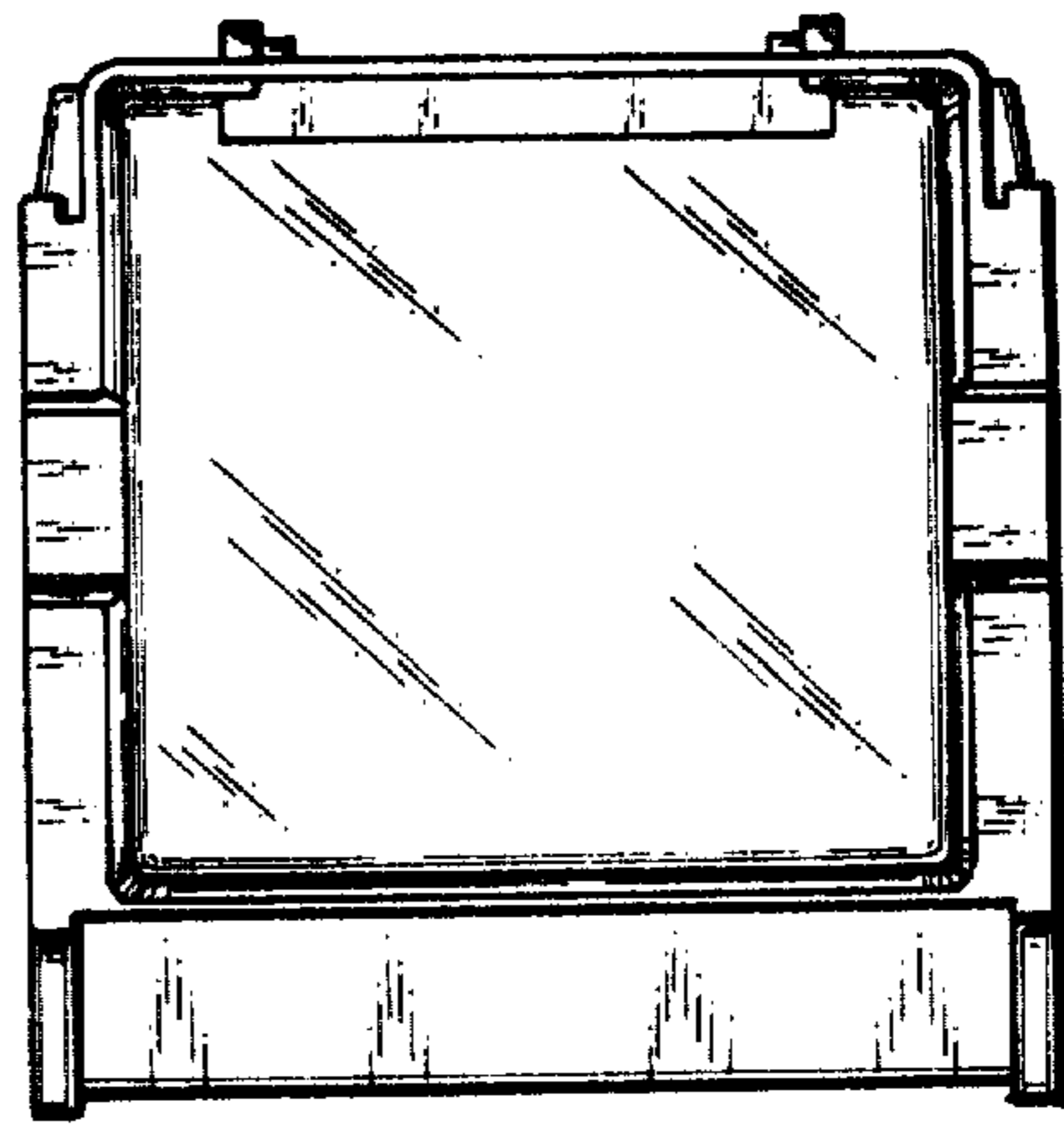


FIG. 4

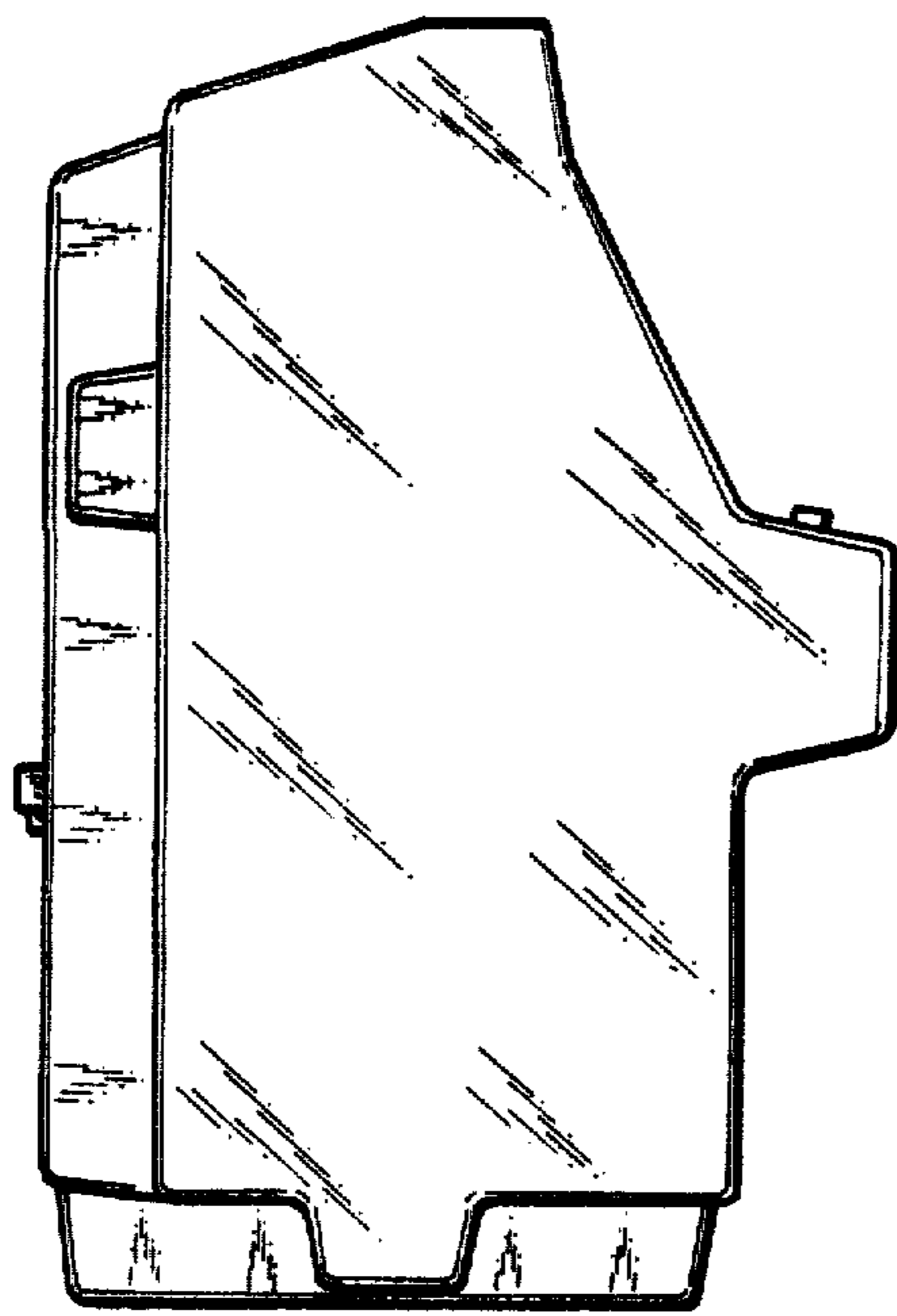


Fig. 2

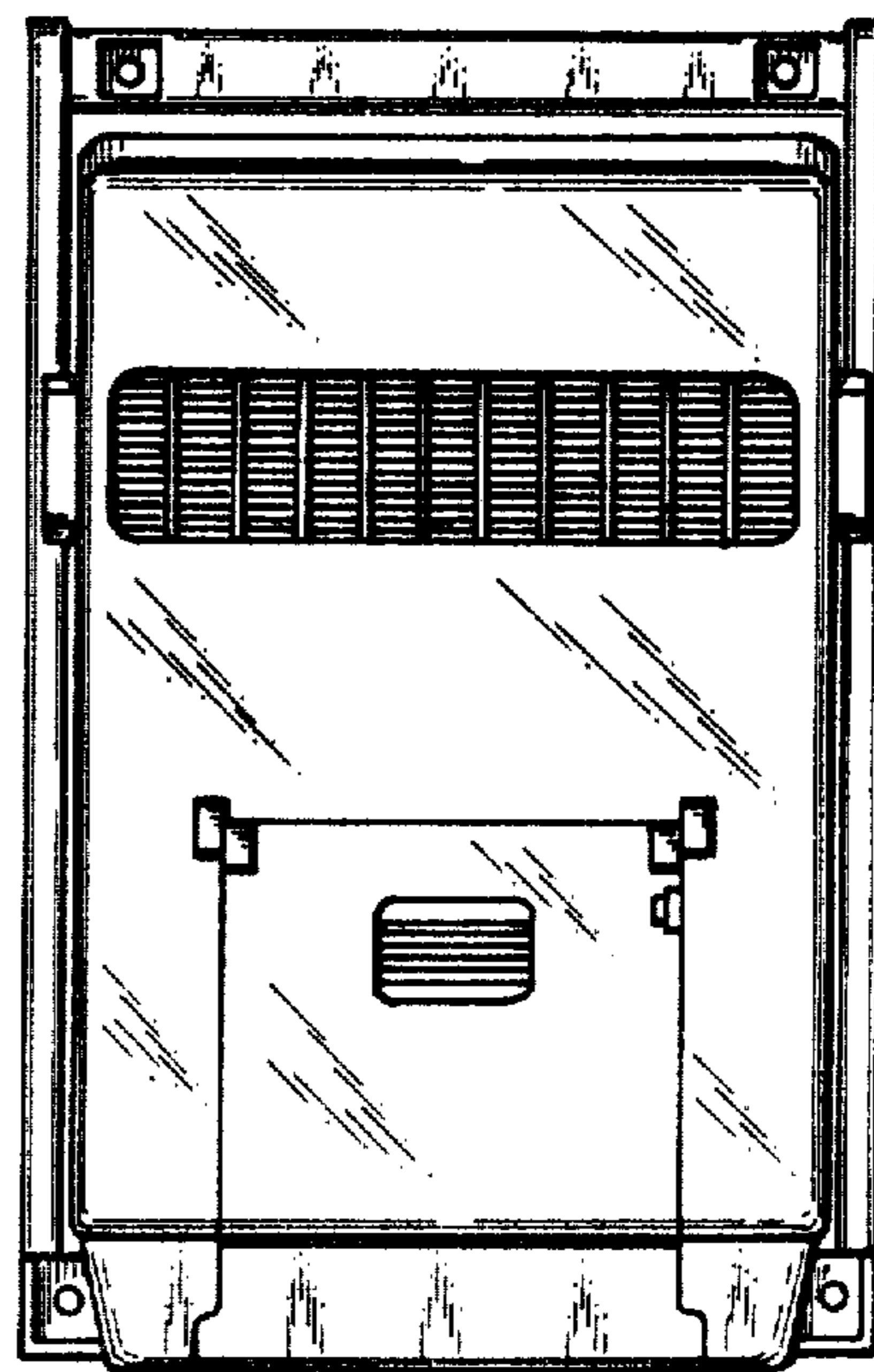


Fig. 3