

[54] **AUTOMATIC SHEET FEED DEVICE OR THE LIKE**

[75] Inventor: **Herbert E. Meister, Jr., Austin, Tex.**

[73] Assignee: **International Business Machines Corporation, Armonk, N.Y.**

[\*\*] Term: **14 Years**

[21] Appl. No.: **159,715**

[22] Filed: **Jun. 16, 1980**

[51] Int. Cl. .... **D16-03**

[52] U.S. Cl. .... **D16/27; D14/114**

[58] Field of Search ..... **D16/27-32; 355/3 R, 97, 131, 7-9, 128, 11, 75-78; 271/273-274, 280, 284, 287-297, 35, 305; D14/110-114**

[56] **References Cited**

**U.S. PATENT DOCUMENTS**

- D. 214,959 8/1969 Anderson ..... D16/30
- D. 227,034 5/1973 Derby ..... D16/27
- D. 234,005 12/1974 Yagil ..... D16/27

- D. 243,949 4/1977 Olson ..... D16/31
- D. 261,646 11/1981 Stirling ..... D14/114
- D. 262,714 1/1982 Cathey ..... D16/30
- 3,498,708 3/1970 Howard ..... 355/3 R
- 3,674,257 7/1972 Neeb ..... 271/284
- 4,085,931 4/1978 Szeluga ..... 271/274 X
- 4,113,244 9/1978 Ruenzi ..... 271/273 X

*Primary Examiner*—Nelson C. Holtje  
*Attorney, Agent, or Firm*—Andrea P. Bryant

[57] **CLAIM**

The ornamental design for an automatic sheet feed device or the like, substantially as shown and described.

**DESCRIPTION**

FIG. 1 is a front perspective view of an automatic sheet feeding device or the like, showing my new design, the broken line showing of a printer or the like being environmental and forming no part of the claimed design.

FIG. 2 is a left side elevational view thereof;

FIG. 3 is a right side elevational view thereof;

FIG. 4 is a front elevational view thereof;

FIG. 5 is a rear elevational view thereof;

FIG. 6 is a top plan view thereof.

FIG. 7 is a left side, rear perspective view thereof.

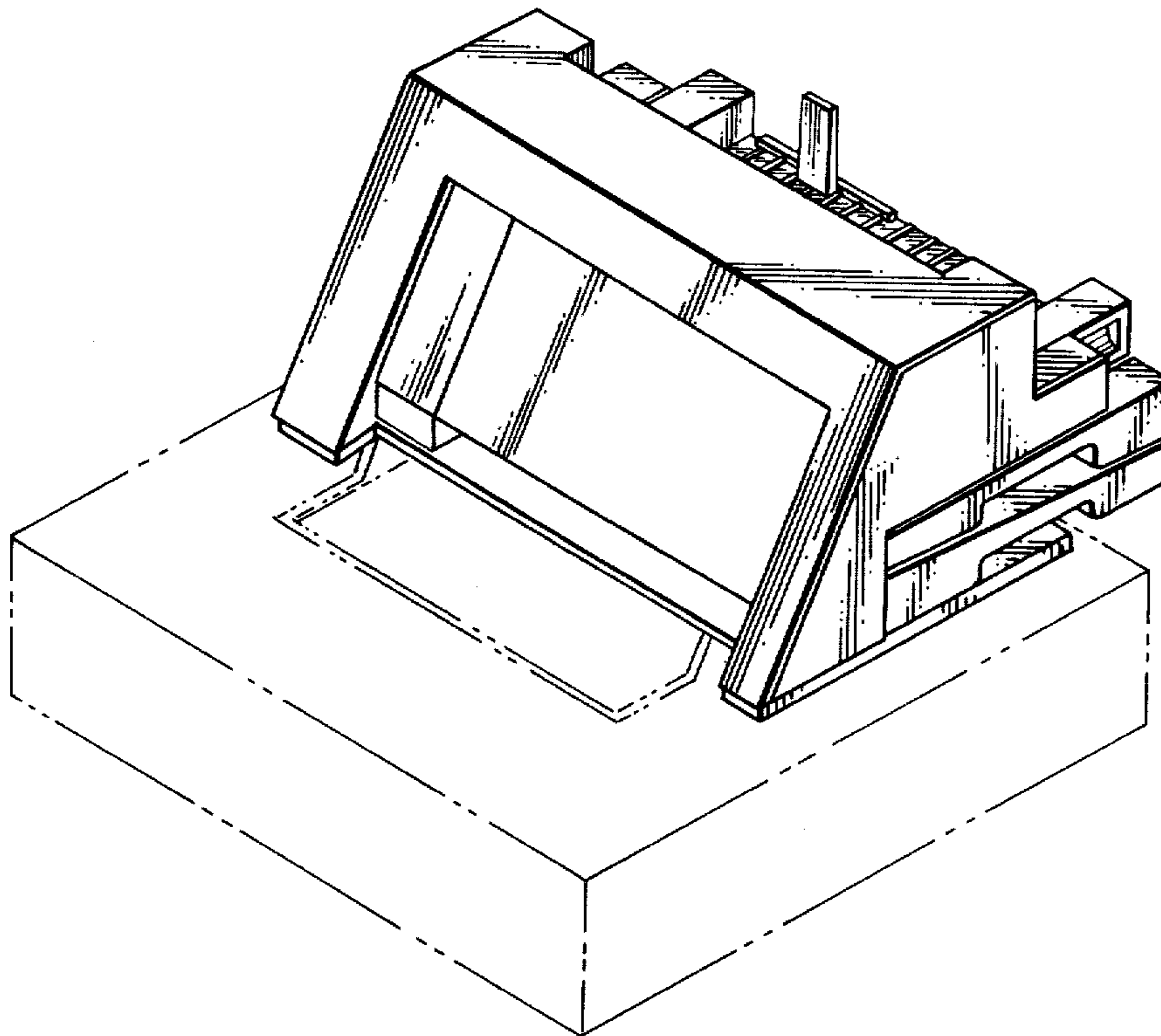


FIG. 1

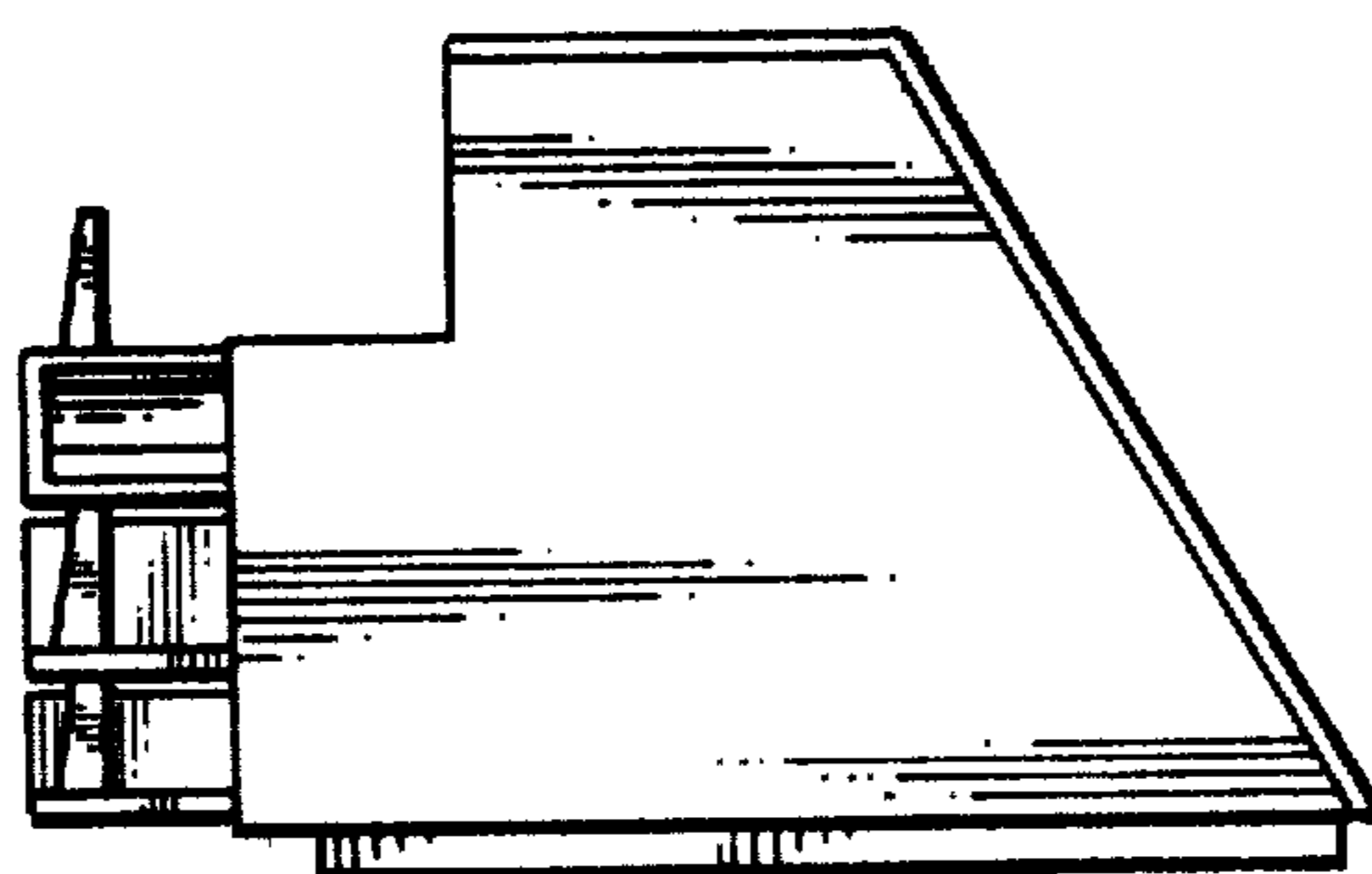
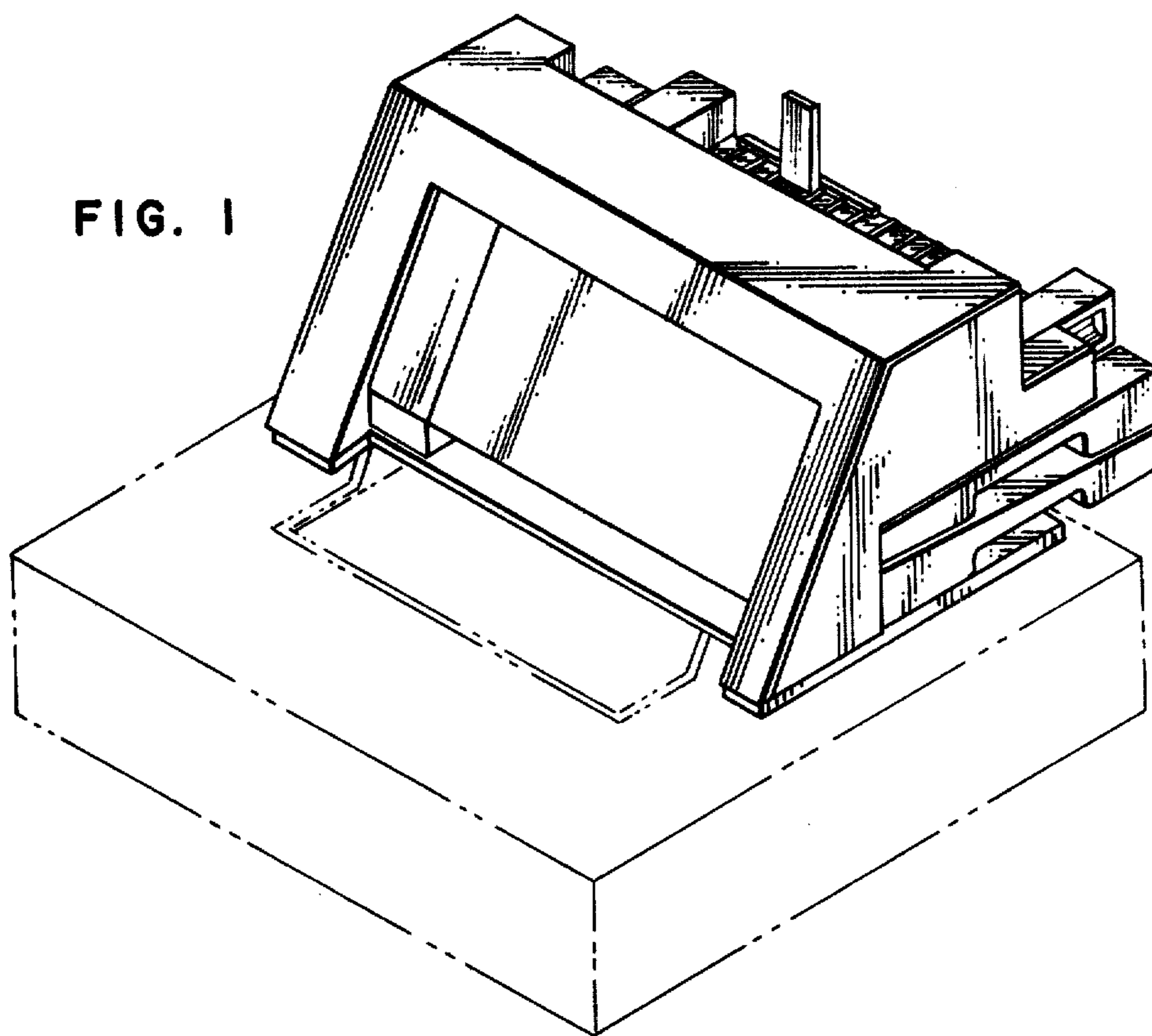


FIG. 2

FIG. 3

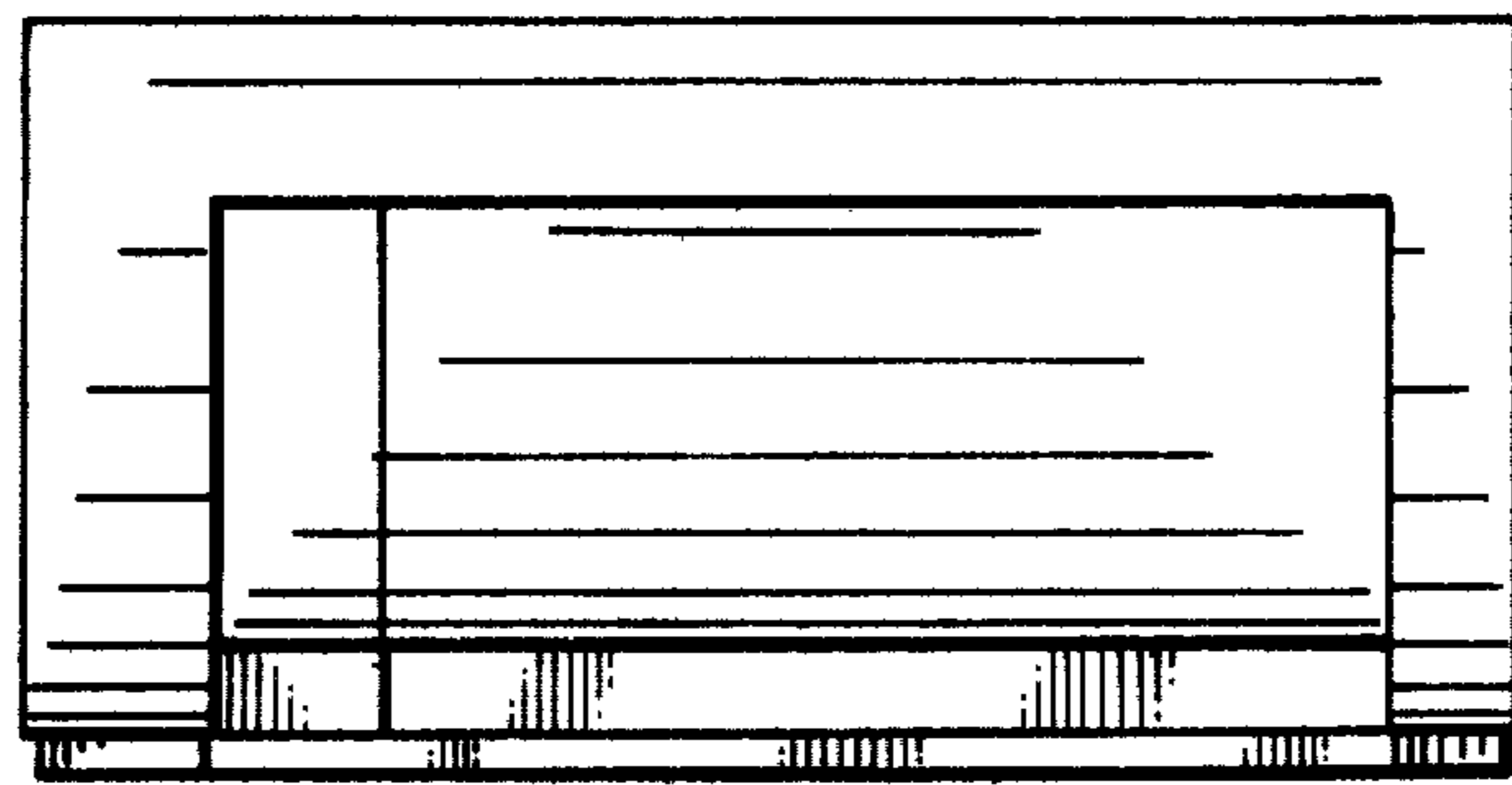
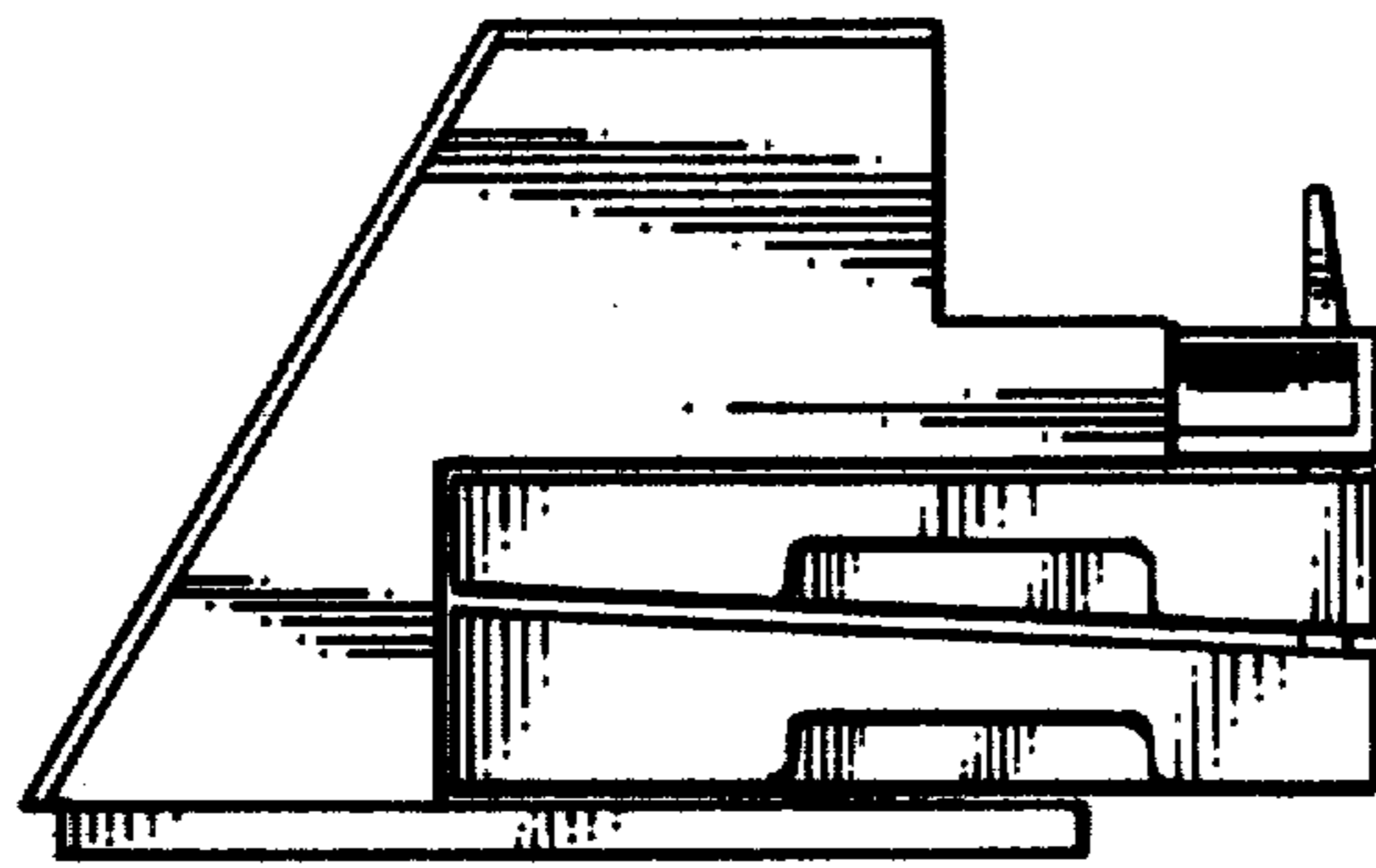


FIG. 4

FIG. 5

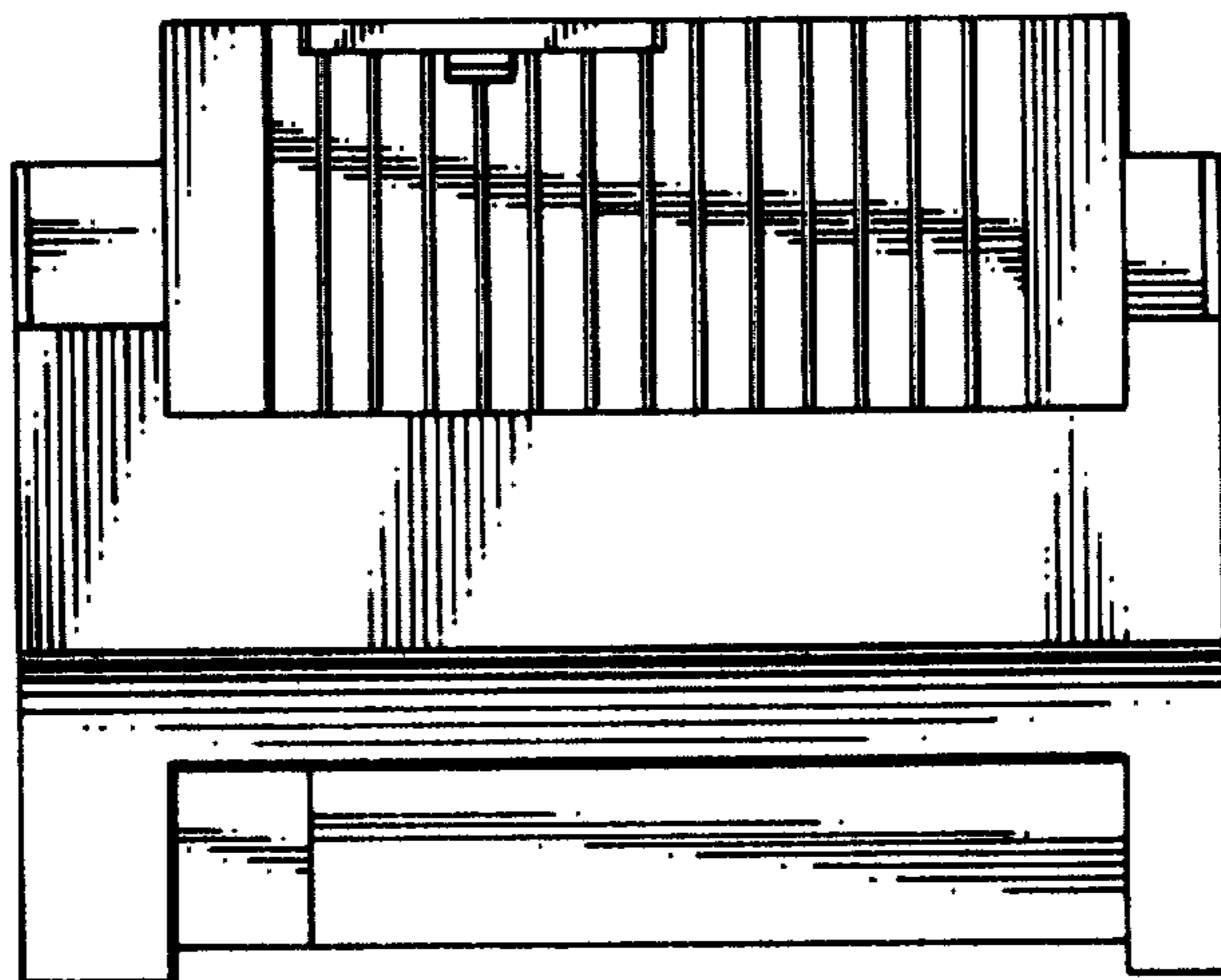
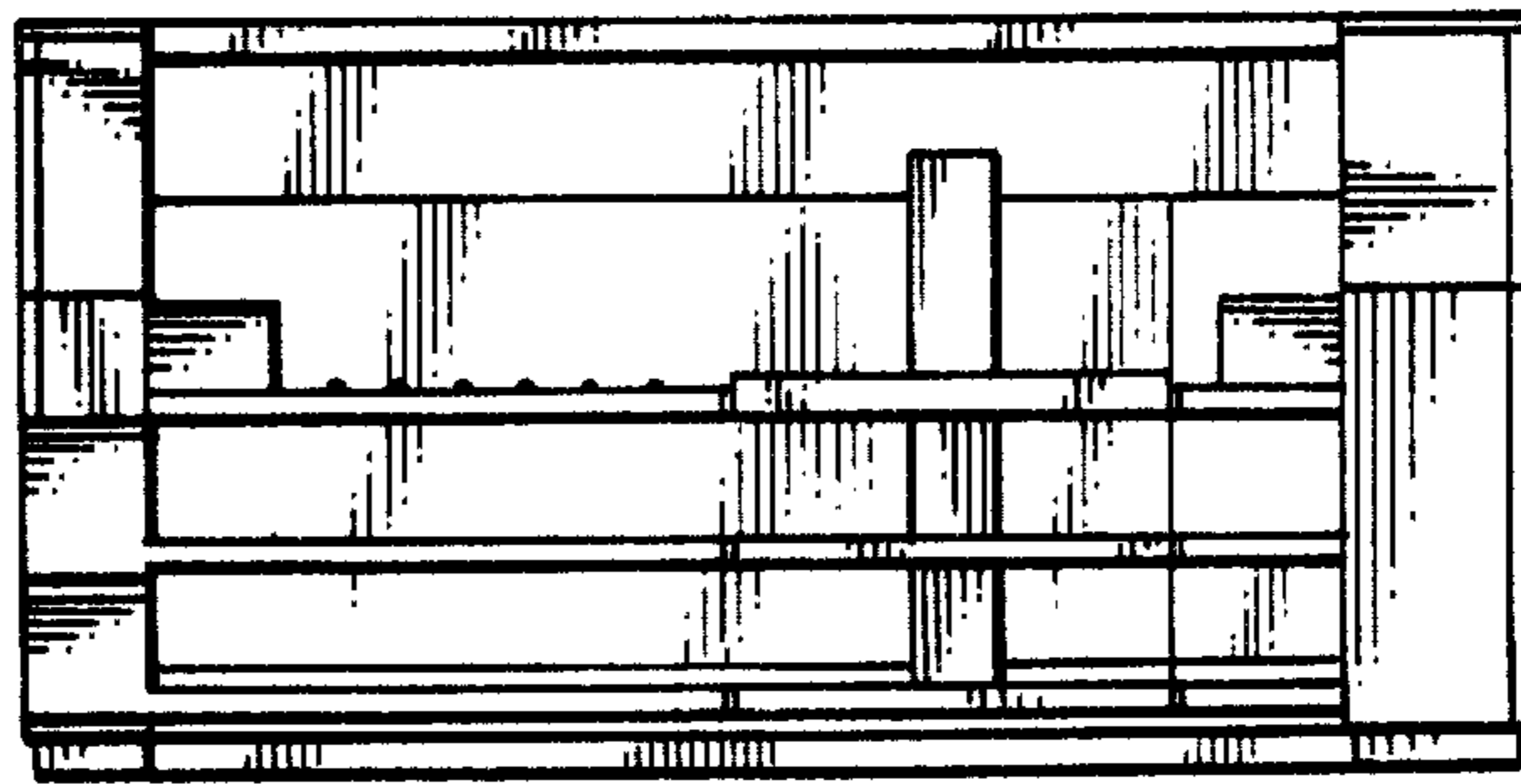


FIG. 6

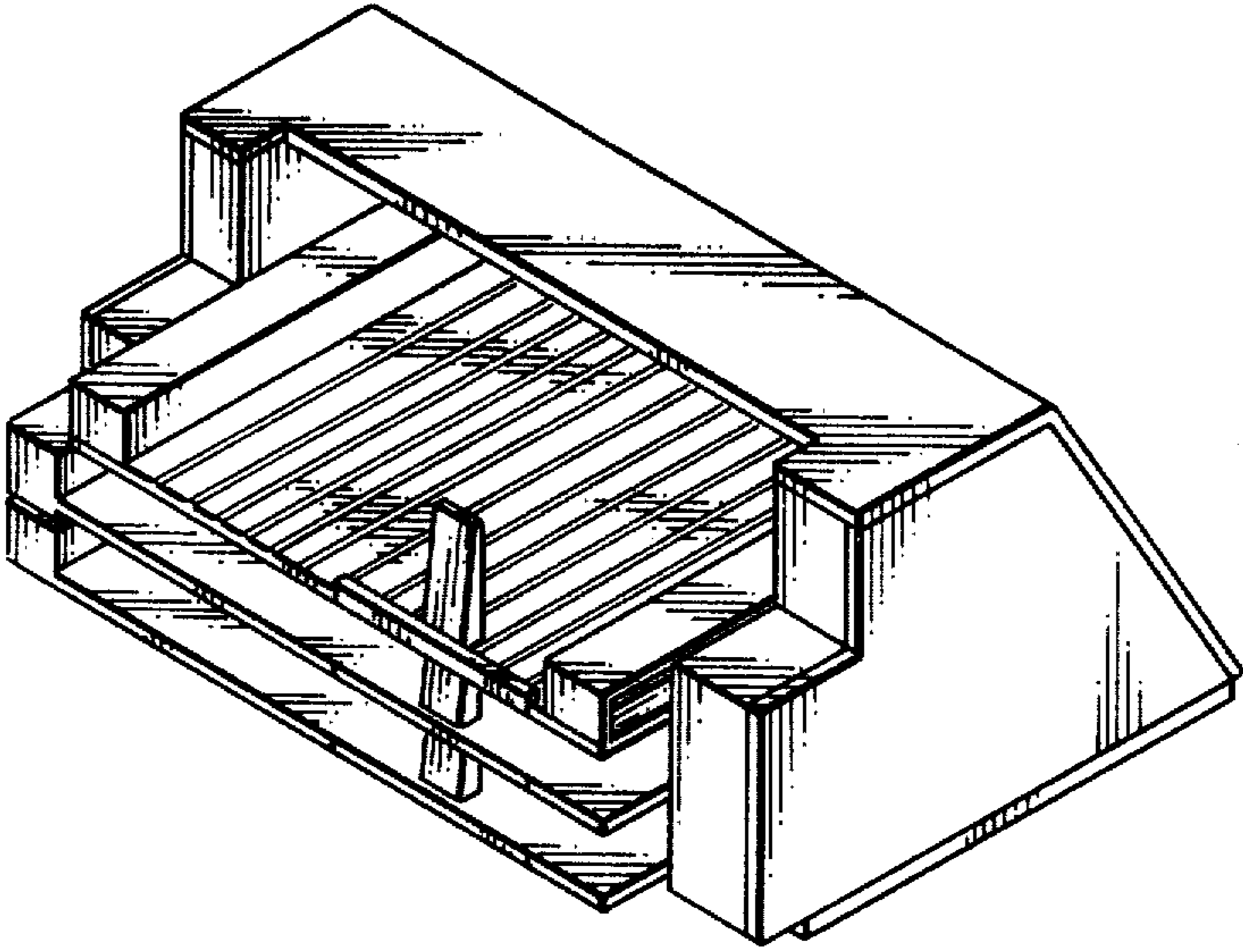


FIG. 7