

[54] FACSIMILE TRANSCEIVER

[75] Inventors: Takamasa Shintani, Chigasaki; Koyo Nagasawa, Yokohama; Hiroshi Takemura, Sagamihara; Tadashi Kikuchi, Hiratsuka, all of Japan

[73] Assignee: Matsushita Graphic Communication Systems, Inc., Tokyo, Japan

[**] Term: 14 Years

[21] Appl. No.: 291,687

[22] Filed: Aug. 10, 1981

[30] Foreign Application Priority Data

Mar. 2, 1981 [JP] Japan 56-8602

[51] Int. Cl. D14-01

[52] U.S. Cl. D14/94

[58] Field of Search D14/94; D16/30, 31; 358/256, 286

[56] References Cited

U.S. PATENT DOCUMENTS

D. 231,129	4/1974	Case et al.	D16/31
D. 248,957	8/1978	Kitai et al.	D16/31
D. 263,600	3/1982	Furukawa	D16/31
D. 264,219	5/1982	Plumb et al.	D16/31
D. 266,169	9/1982	Yasutani et al.	D16/31

Primary Examiner—Jane E. Corrigan
Attorney, Agent, or Firm—Sughrue, Mion, Zinn, Macpeak and Seas

[57] CLAIM

The ornamental design for a facsimile transceiver, as shown.

DESCRIPTION

FIG. 1 is a front, top and right side perspective view of a facsimile transceiver showing our new design; FIG. 2 is a rear elevational view thereof; FIG. 3 is a top plan view thereof; FIG. 4 is a bottom plan view thereof; FIG. 5 is a left side elevational view thereof; and FIG. 6 is a right side elevational view thereof.

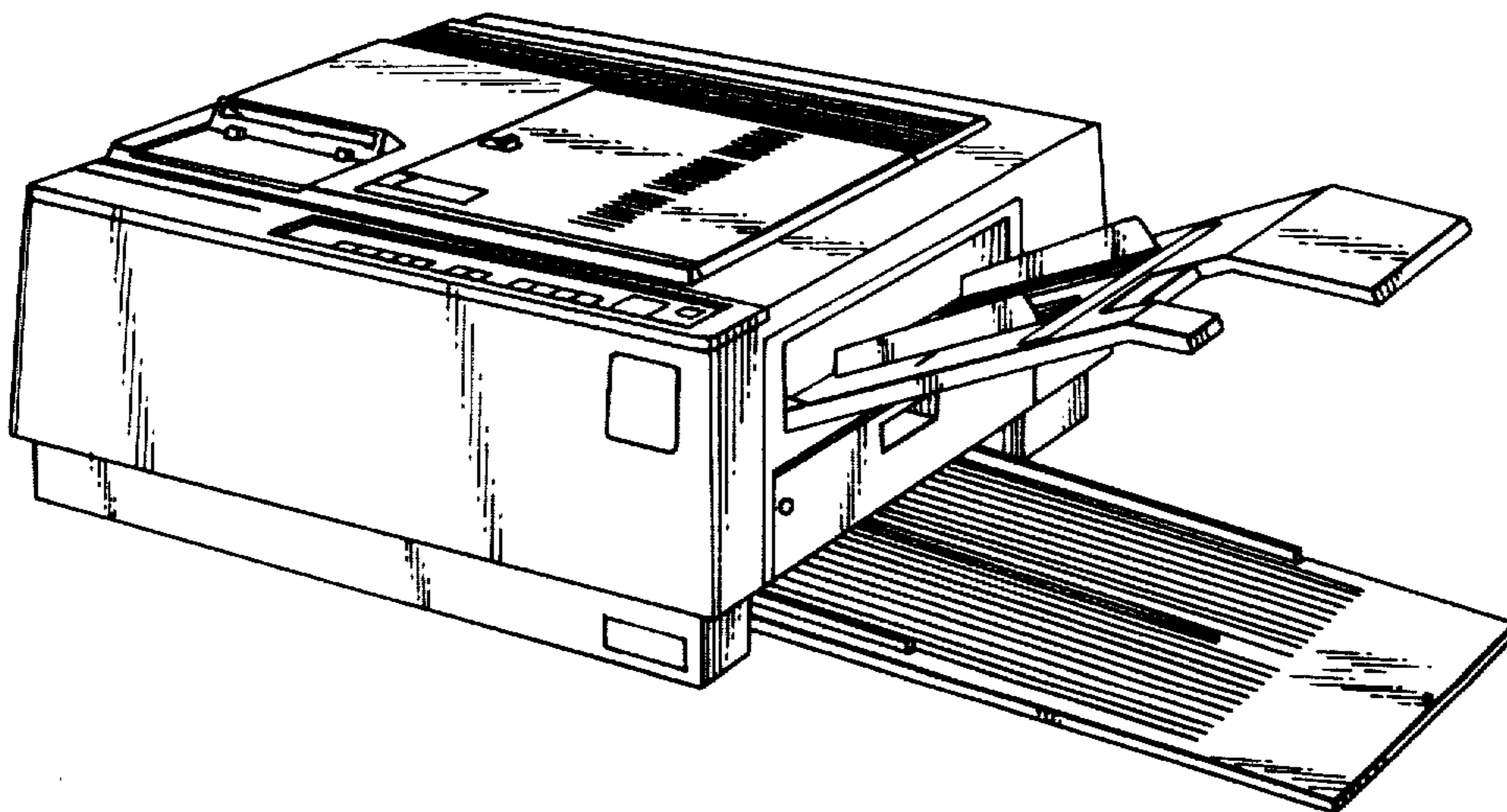


Fig. 1

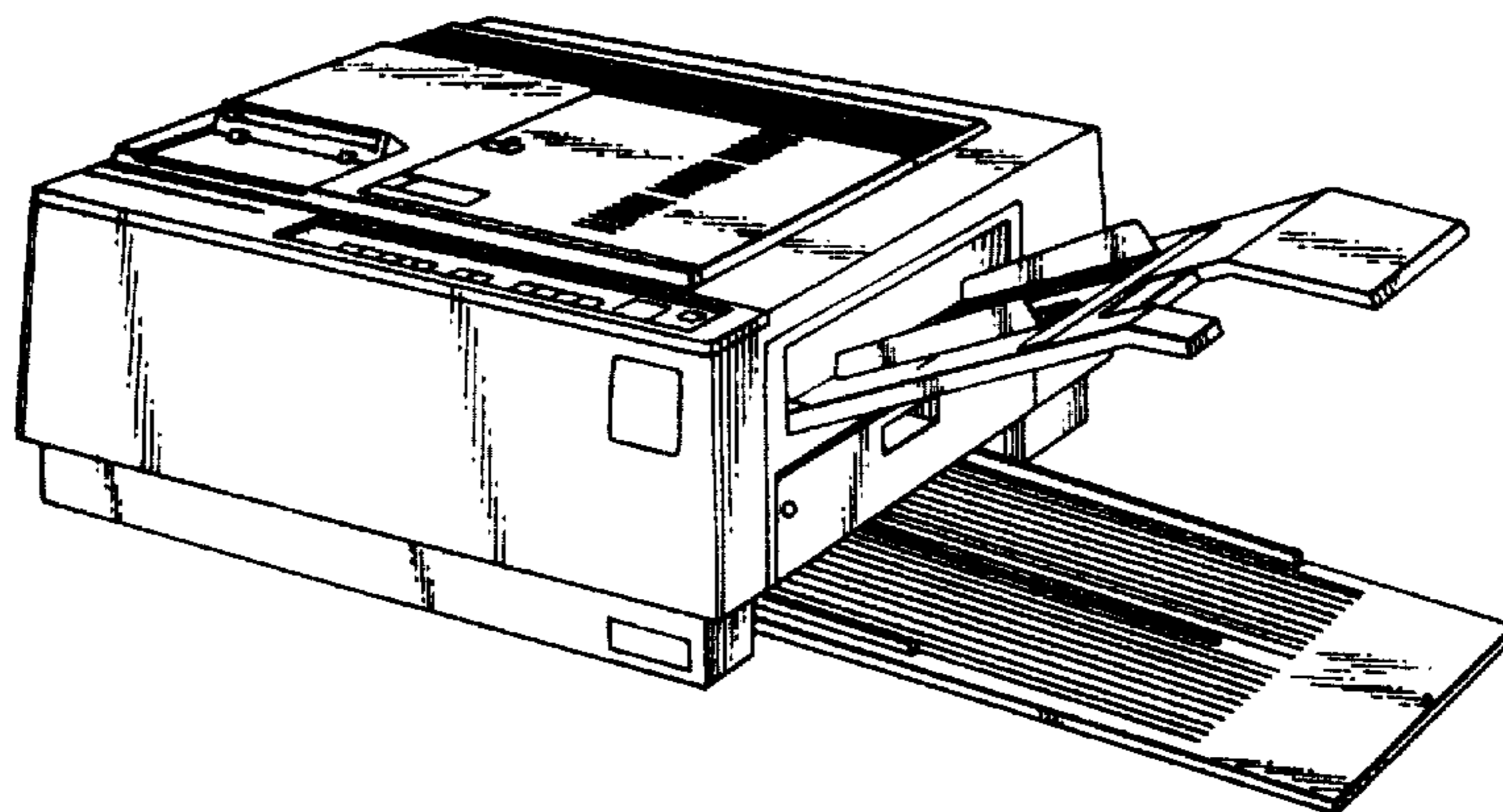


Fig. 2

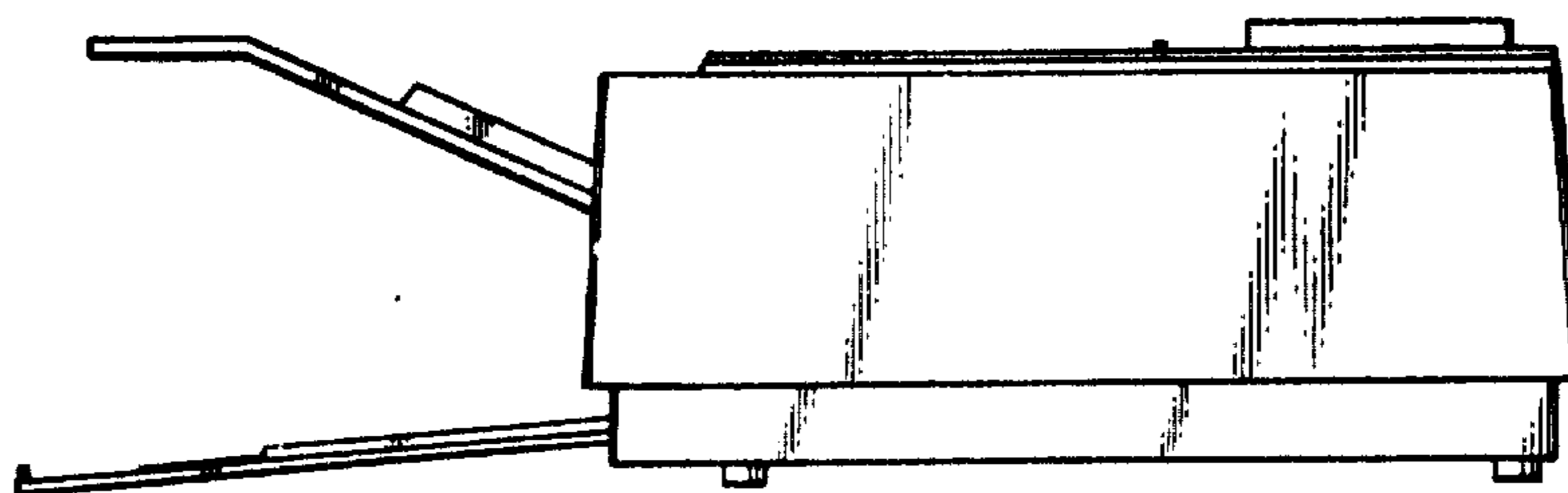


Fig. 3

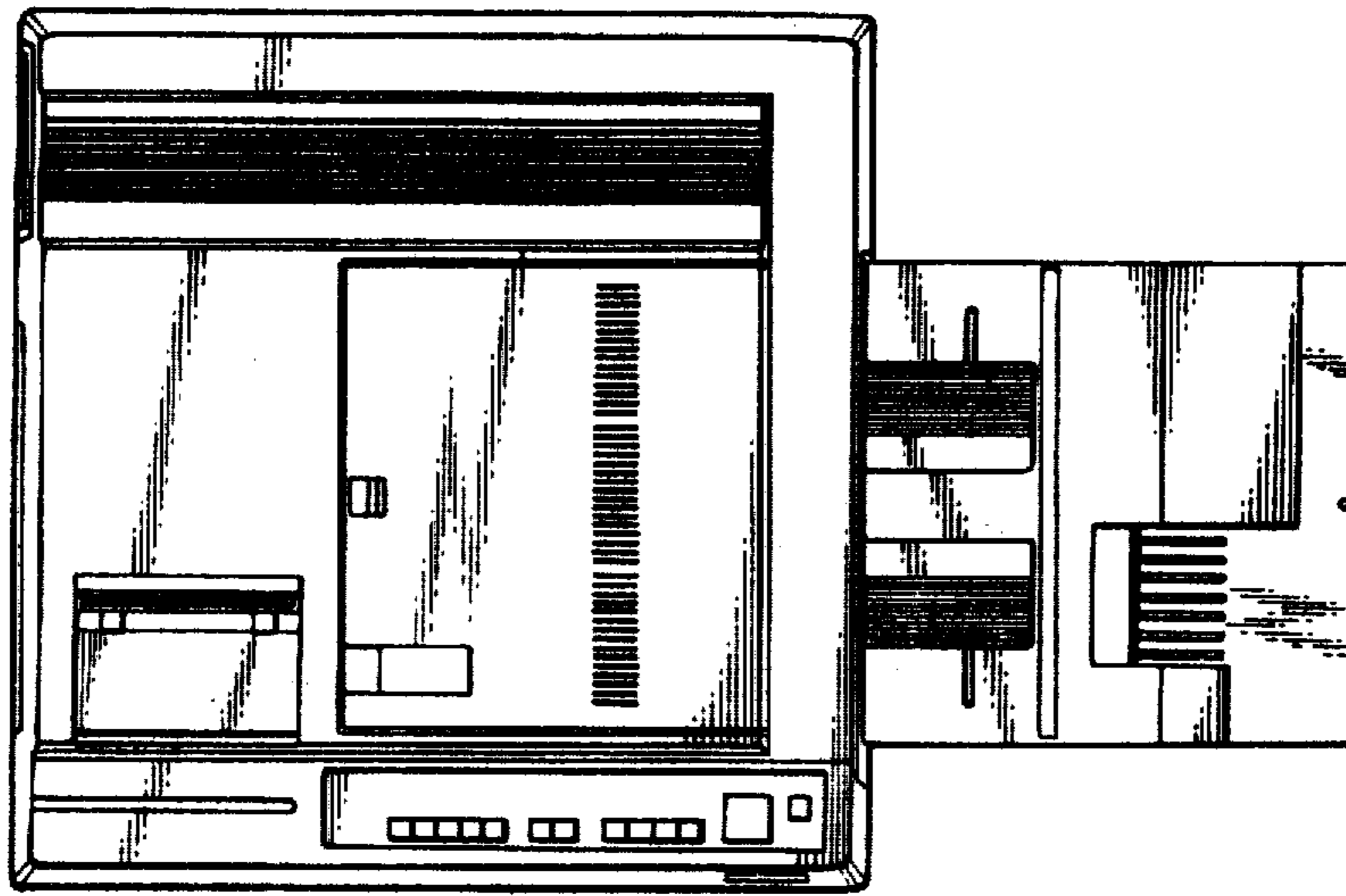


Fig. 4

