

[54] RADIO CONTROL UNIT

D. 254,303 2/1980 Igo et al. D14/68

[75] Inventors: **Walter K. Gierschick**, West Bloomfield; **William M. Jenkins, Jr.**, Sterling Heights; **Keith Kesling**, Utica, all of Mich.

OTHER PUBLICATIONS

Circuit City Supplement to 11-19-78 *Washington Post*, p. 67, Sanyo Model FT 1405 Cassette Player & Radio.

[73] Assignee: **General Motors Corporation**, Detroit, Mich.

Primary Examiner—Jane E. Corrigan
Attorney, Agent, or Firm—Herbert Furman

[**] Term: **14 Years**

[57] CLAIM

The ornamental design for a radio control unit, as shown and described.

[21] Appl. No.: **277,679**

DESCRIPTION

[22] Filed: **Jun. 29, 1981**

[51] Int. Cl. **D14-03**

FIG. 1 is a front elevational view of a radio control unit showing our new design;

[52] U.S. Cl. **D14/76; D14/5;**

FIG. 2 is a top plan view;

D14/7; D14/68

FIG. 3 is a left side elevational view;

[58] Field of Search **D14/1, 6, 7, 68, 76,**
D14/5

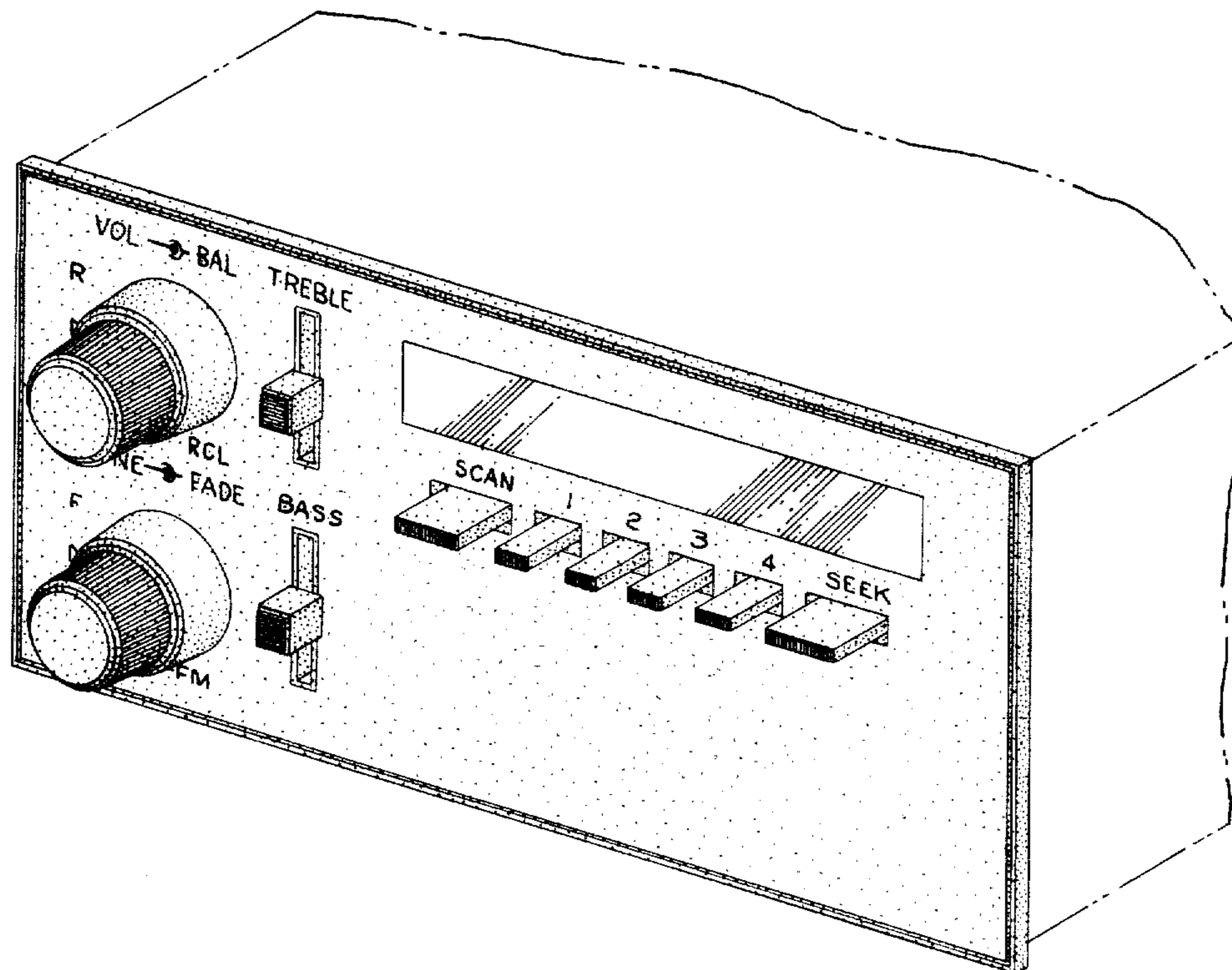
FIG. 4 is a sectional view taken along line 4-4 in FIG. 1; and

[56] References Cited

U.S. PATENT DOCUMENTS

D. 250,710 1/1979 Yasuoka D14/7

FIG. 5 is a front, top and right side perspective view. The broken line matter in FIGS. 2-5 is included for illustrative purposes only and forms no part of the claimed design.



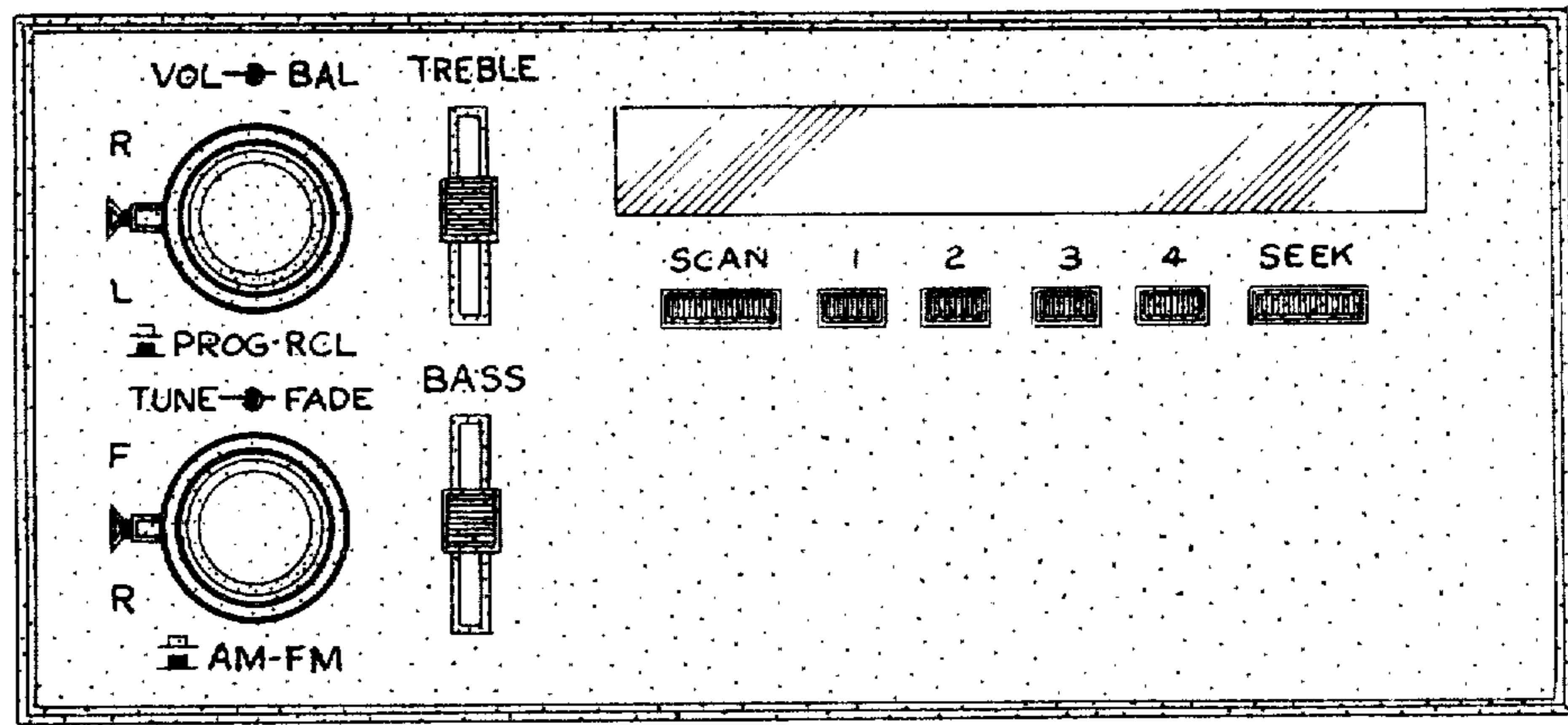


Fig. 1

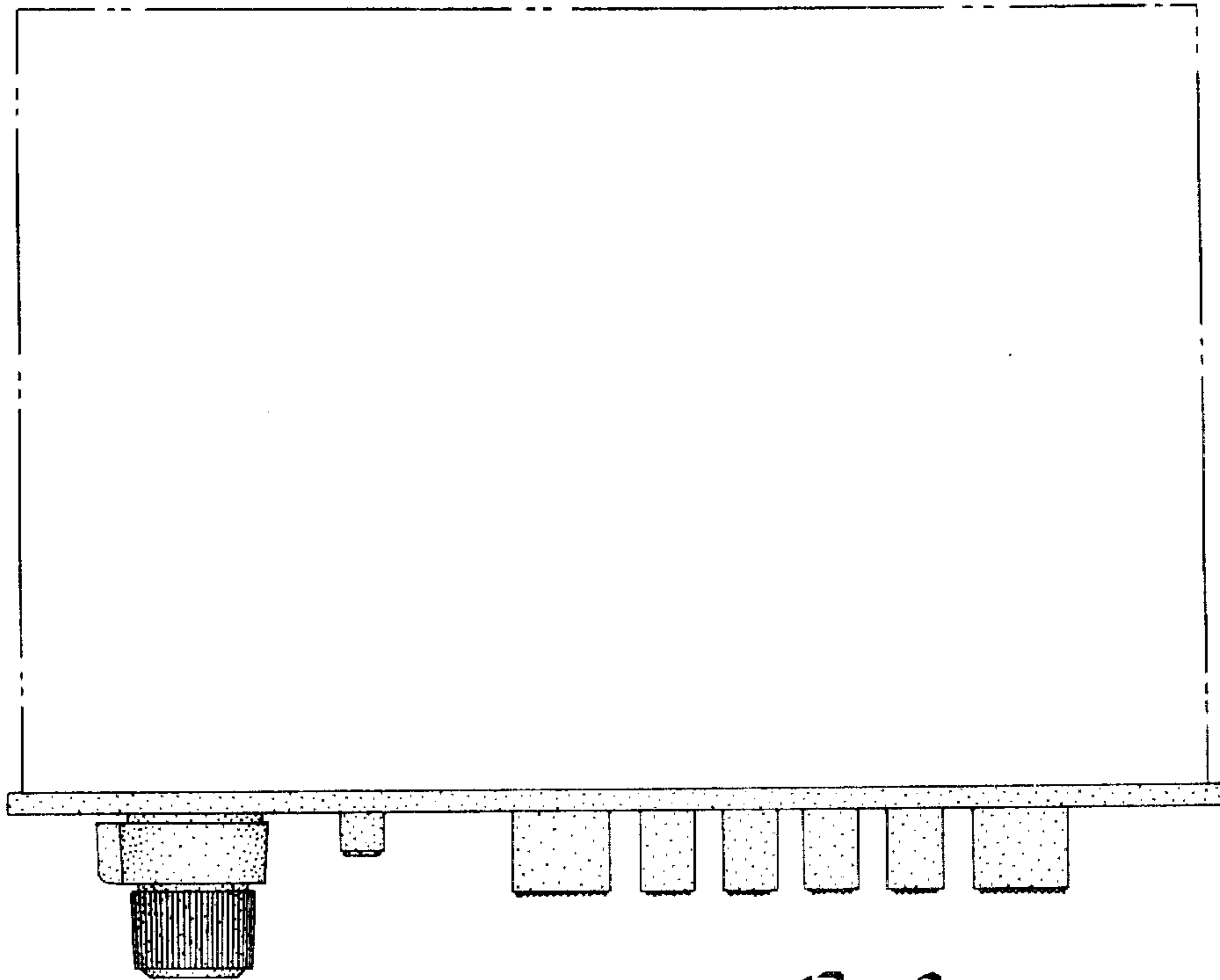


Fig. 2

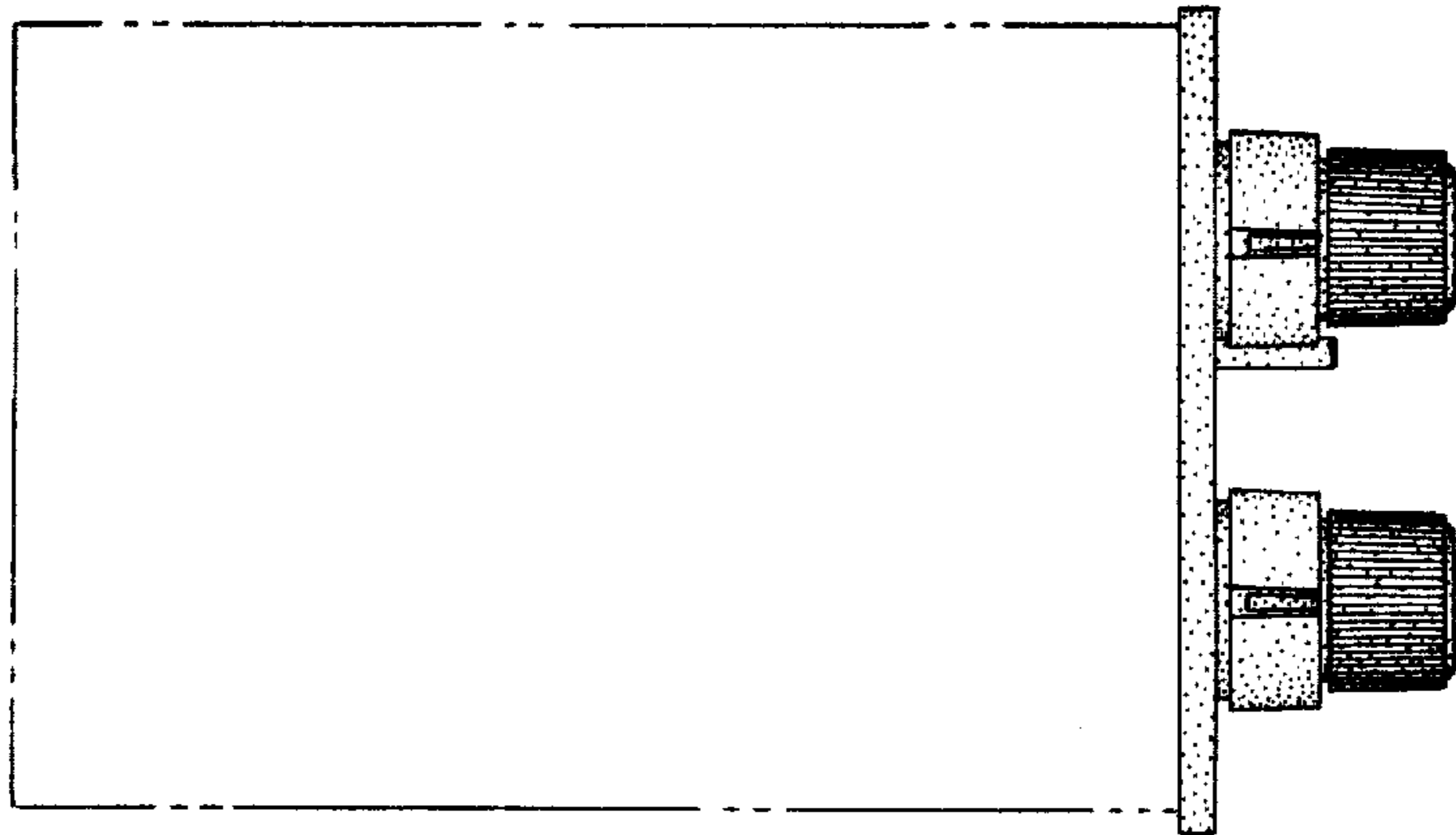


Fig. 3

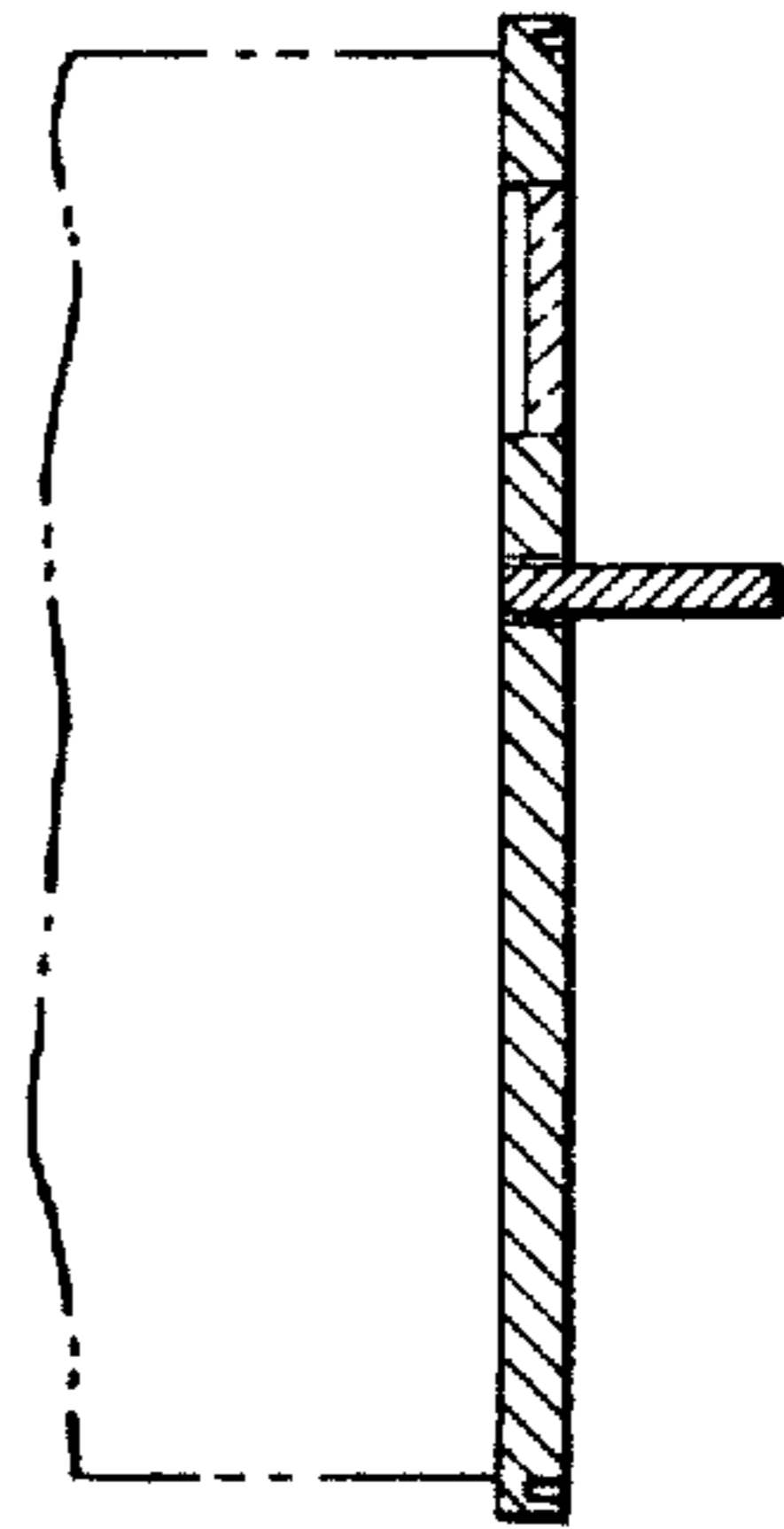


Fig. 4

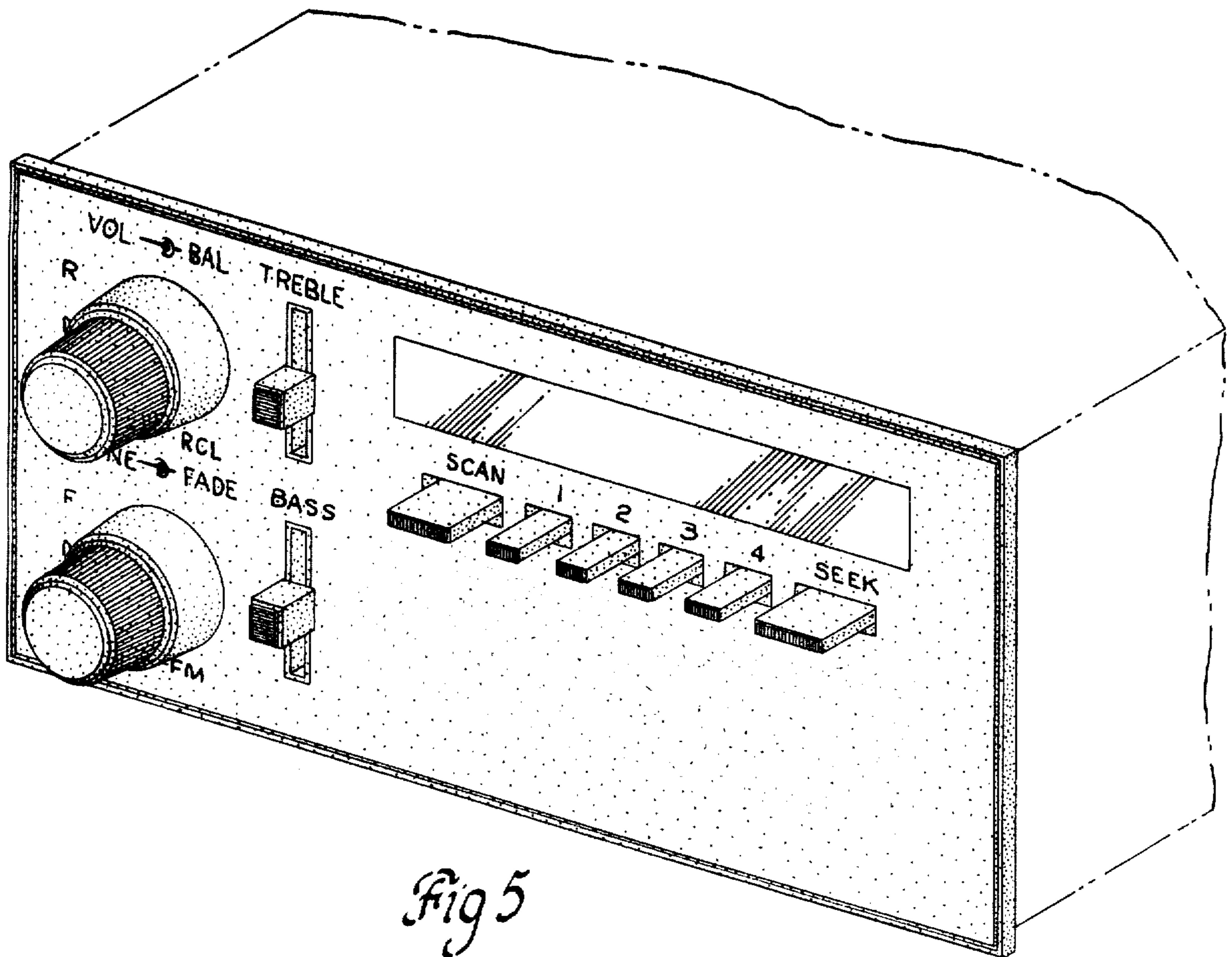


Fig. 5