

[54] TELEPHONE BASE

[75] Inventors: John C. Coons; Jean M. Beirise, both of Cincinnati, Ohio

[73] Assignee: Masco Corporation of Indiana, Taylor, Mich.

[\*\*] Term: 14 Years

[21] Appl. No.: 259,606

[22] Filed: May 1, 1981

D. 259,563 6/1981 Marshall ..... D14/60  
 3,073,911 1/1963 Mattke et al. .... 179/100  
 3,941,951 3/1976 Engstrom et al. .... 179/179  
 4,012,601 3/1977 Kehren ..... 179/90 K

Primary Examiner—Bernard Ansher  
 Attorney, Agent, or Firm—Steven L. Permut; E. Dennis O'Connor; Leon E. Redman

[51] Int. Cl. .... D14—03

[52] U.S. Cl. .... D14/60; D14/53

[58] Field of Search ..... 179/100 D, 100 R, 103, 179/178, 179, 184 D, 100 C; D14/53, 60, 58

[57] CLAIM

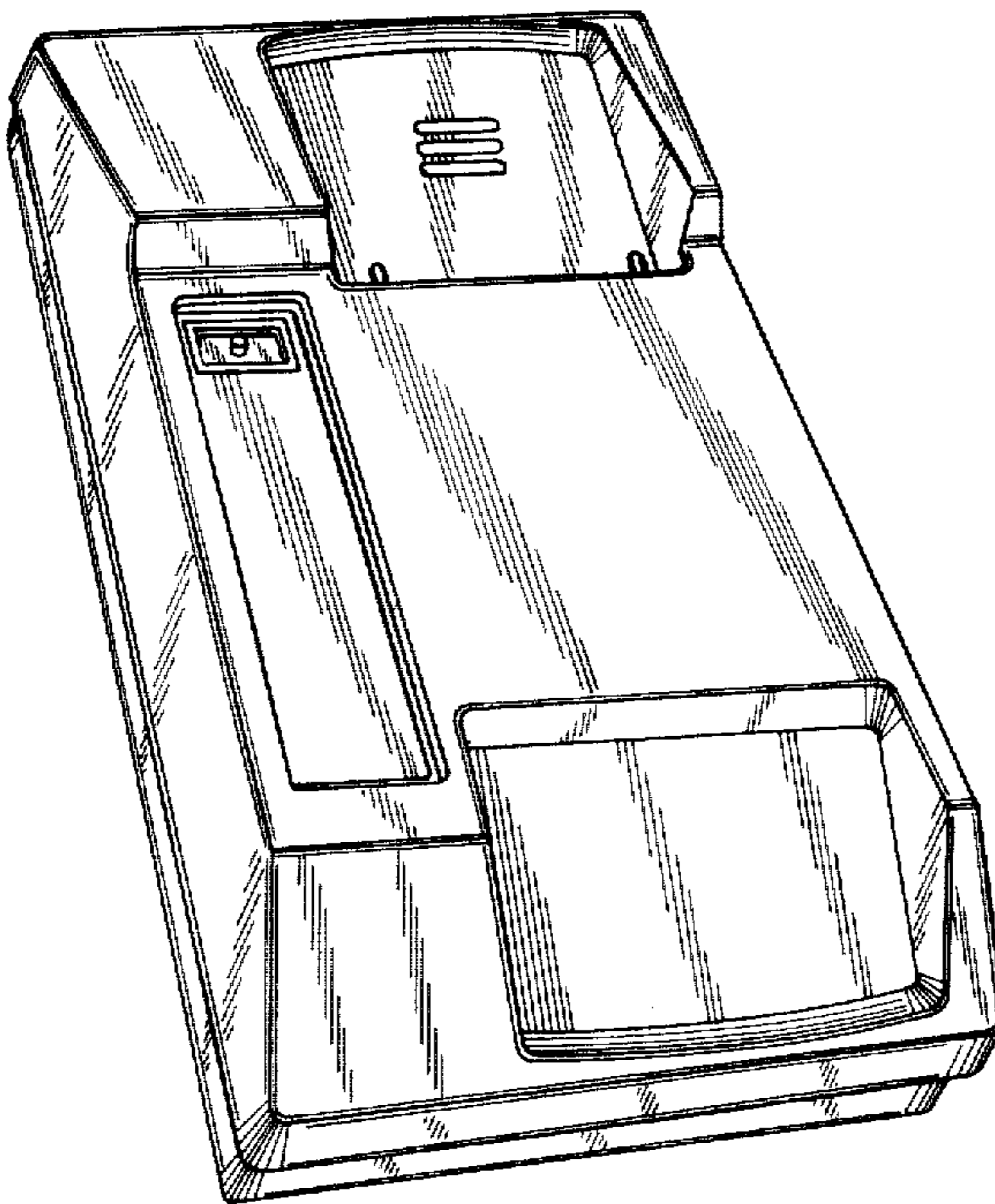
The ornamental design for a telephone base, as shown and described.

DESCRIPTION

FIG. 1 is a top front perspective view of a telephone base showing our new design;  
 FIG. 2 is a top view thereof;  
 FIG. 3 is a right side view thereof;  
 FIG. 4 is a left side view thereof;  
 FIG. 5 is a rear elevational view thereof;  
 FIG. 6 is a front elevational view thereof; and  
 FIG. 7 is a bottom view thereof.

[56] References Cited  
 U.S. PATENT DOCUMENTS

D. 212,423 10/1968 Tyson ..... D14/60  
 D. 253,345 11/1979 Read et al. .... D14/60



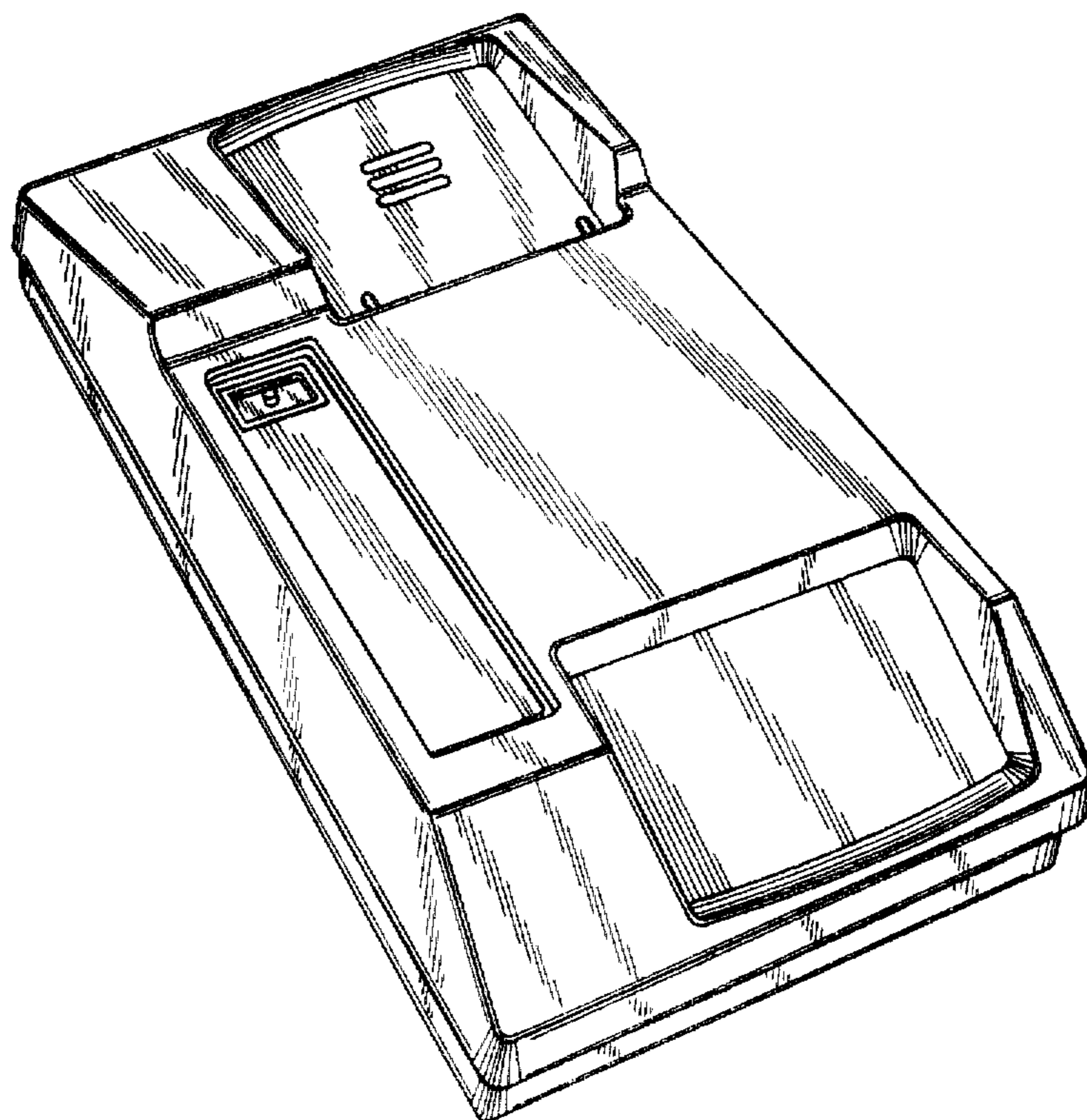


FIG. 1

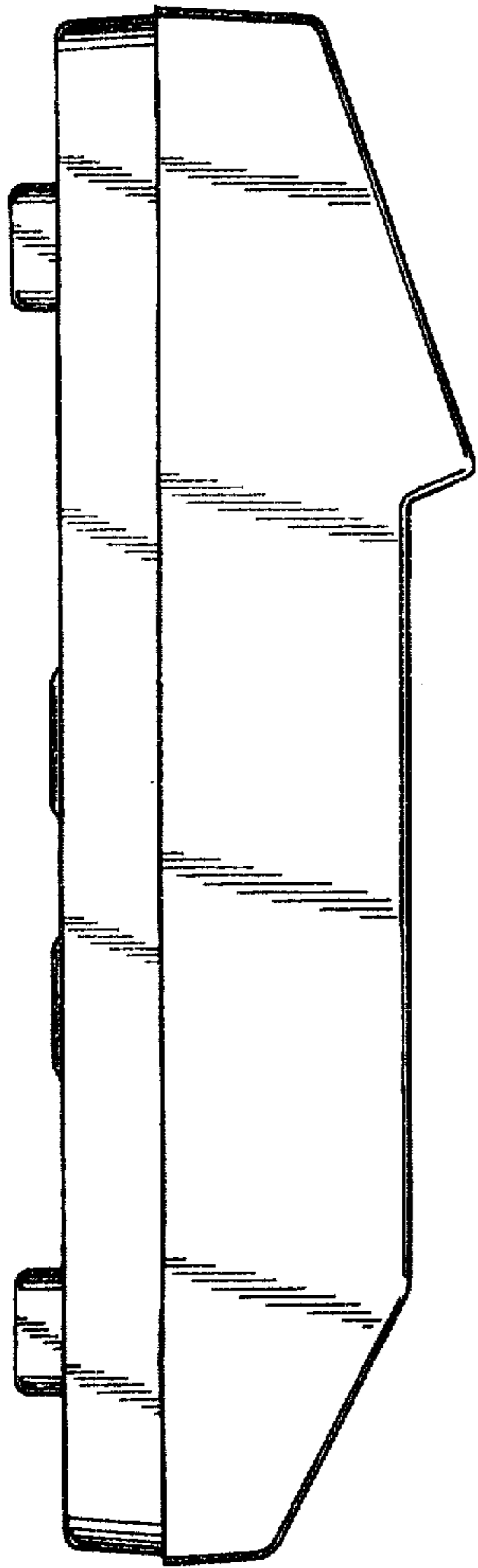


FIG. 3

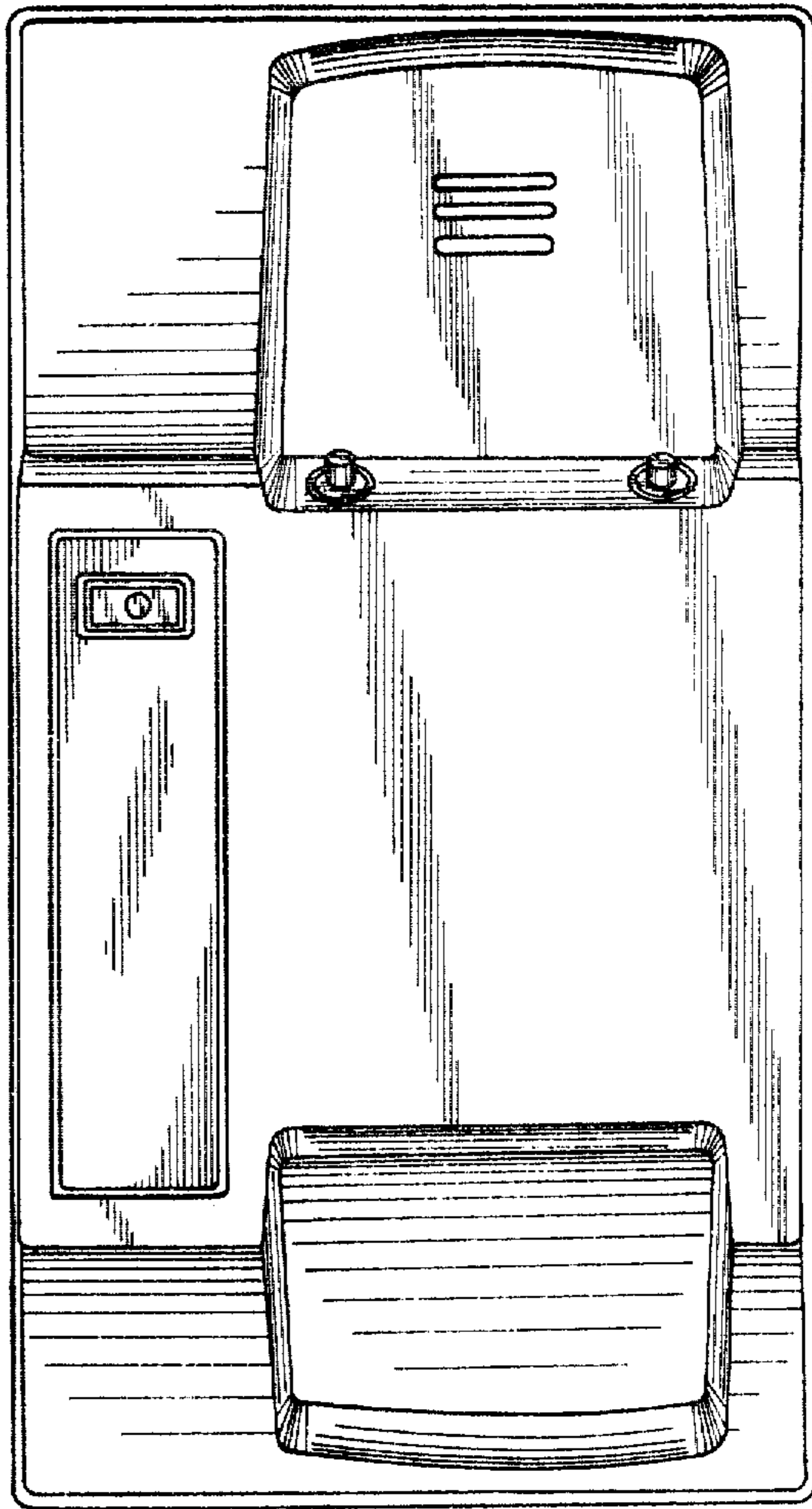
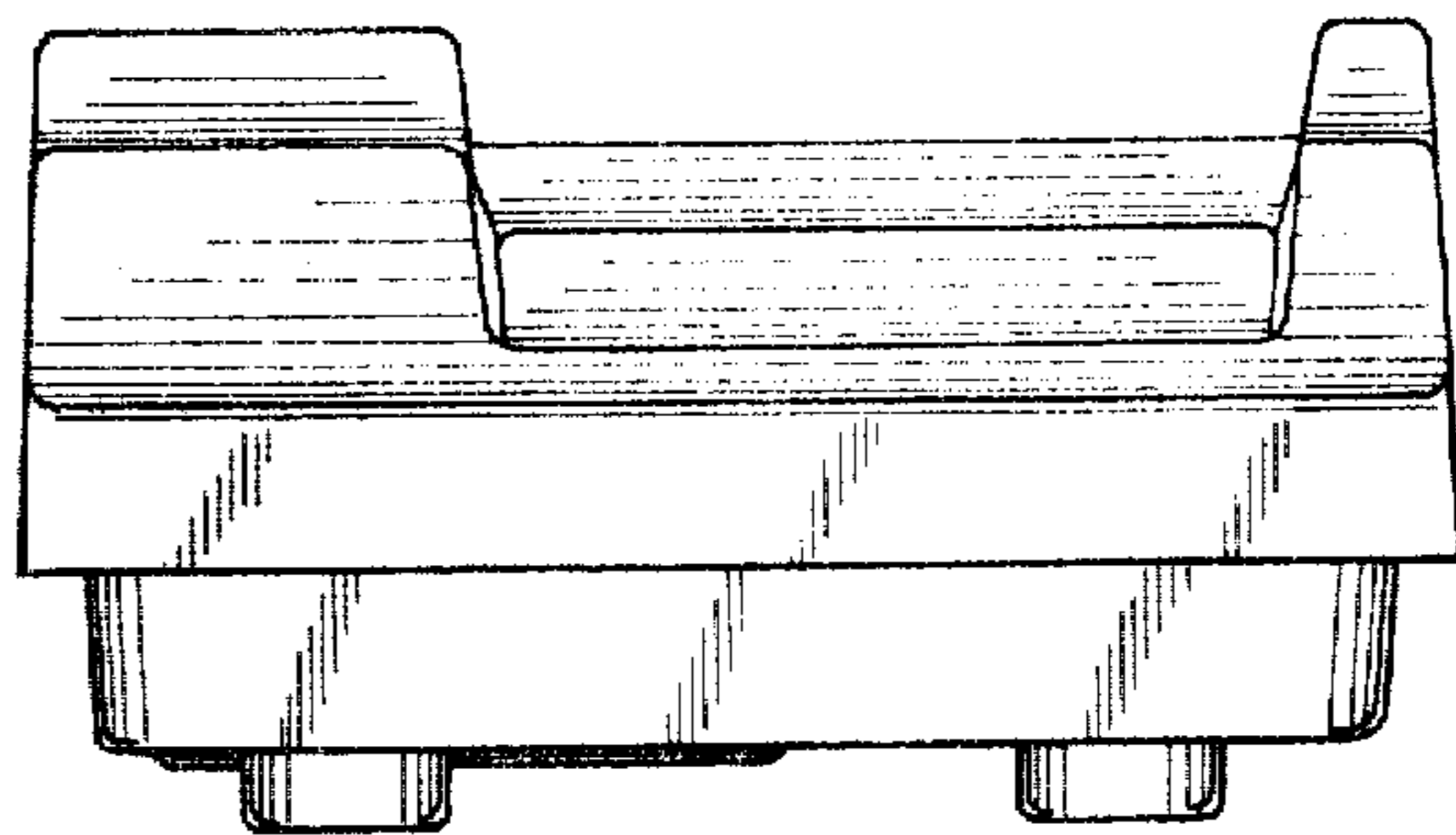


FIG. 2

FIG. 6



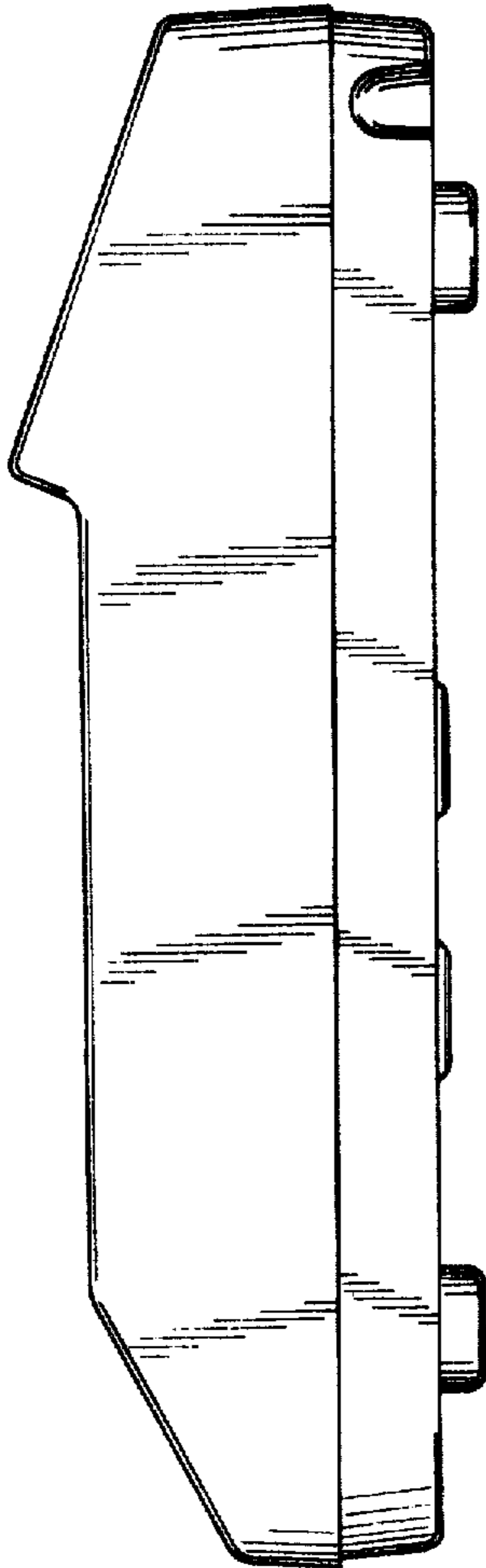


FIG. 4

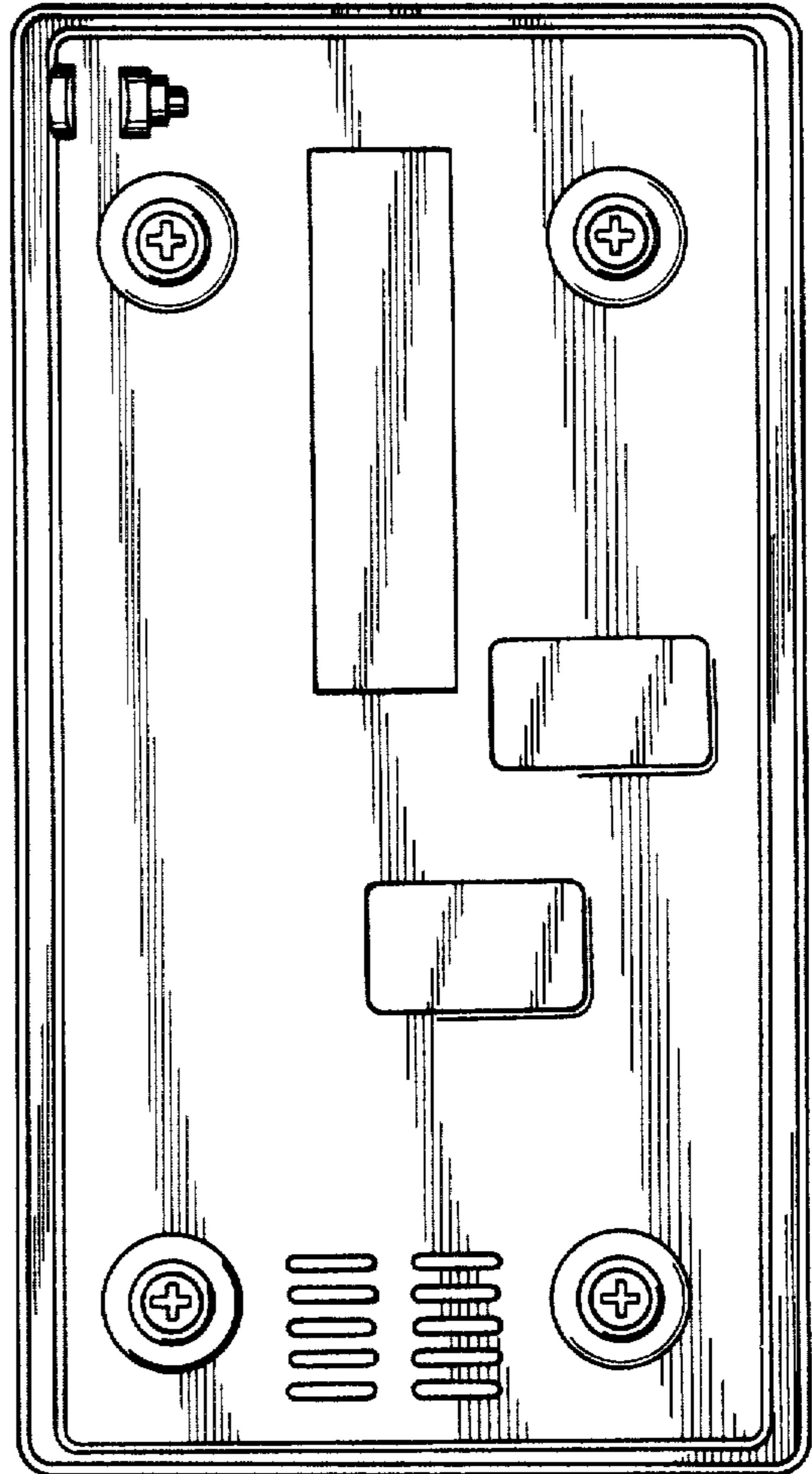


FIG. 7

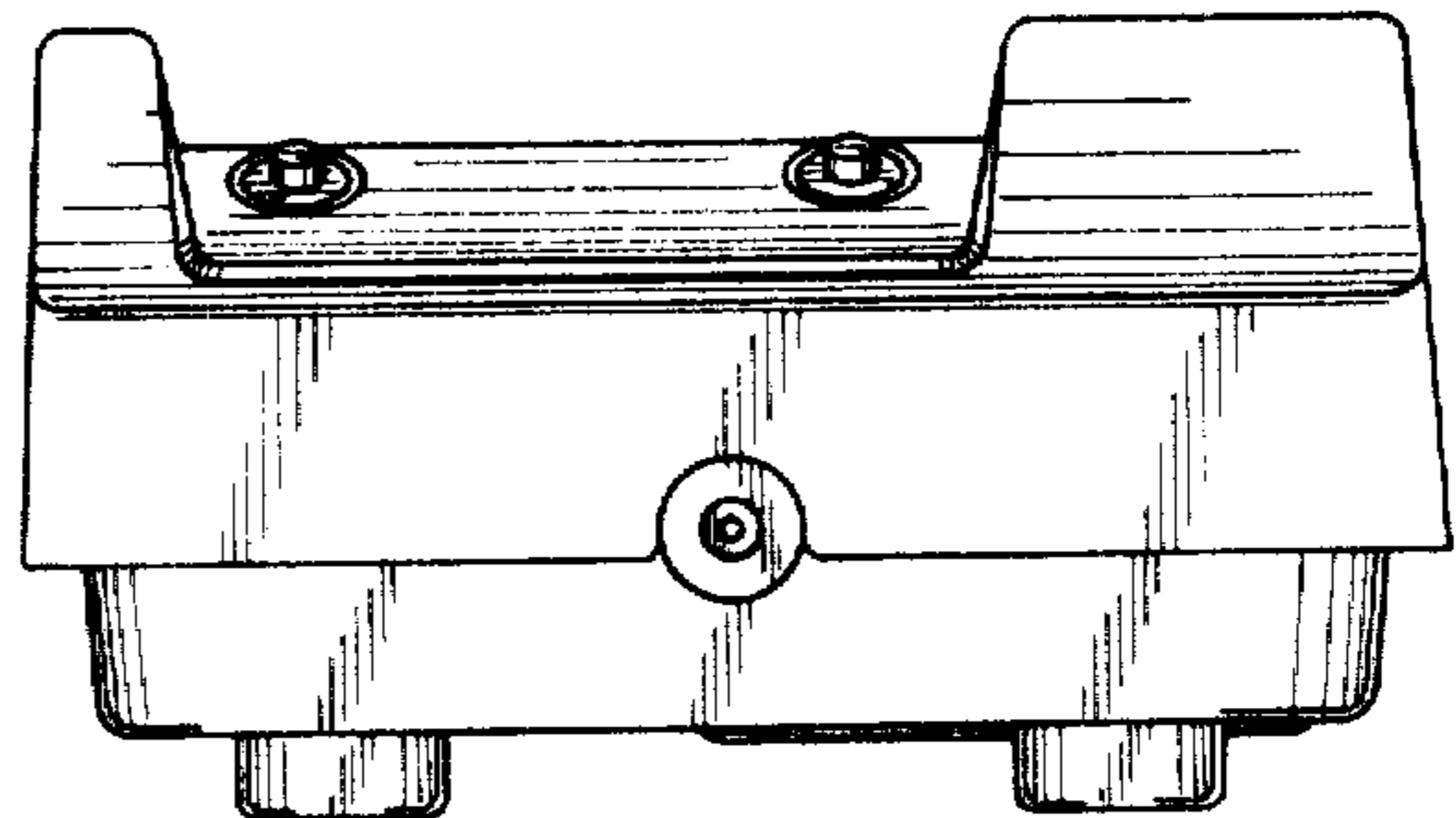


FIG. 5