

[54] TELEPHONE BASE STATION
[75] Inventors: John C. Coons; Jean M. Beirise, both of Cincinnati, Ohio

[73] Assignee: Masco Corporation of Indiana, Taylor, Mich.

[**] Term: 14 Years

[21] Appl. No.: 259,602

[22] Filed: May 1, 1981

[51] Int. Cl. D14-03

[52] U.S. Cl. D14/60; D14/53; D14/58

[58] Field of Search 179/100 D, 100 R, 103, 179/178, 179, 184 D, 100 C; D14/53, 60, 58

[56] References Cited

U.S. PATENT DOCUMENTS

- D. 212,423 10/1968 Tyson D14/60
- D. 253,345 11/1979 Read et al. D14/60

- D. 259,563 6/1981 Marshall D14/60
- 3,073,911 1/1963 Mattke et al. 179/100
- 3,941,951 3/1976 Engstrom et al. 179/179
- 4,012,601 3/1977 Kehren 179/90 K

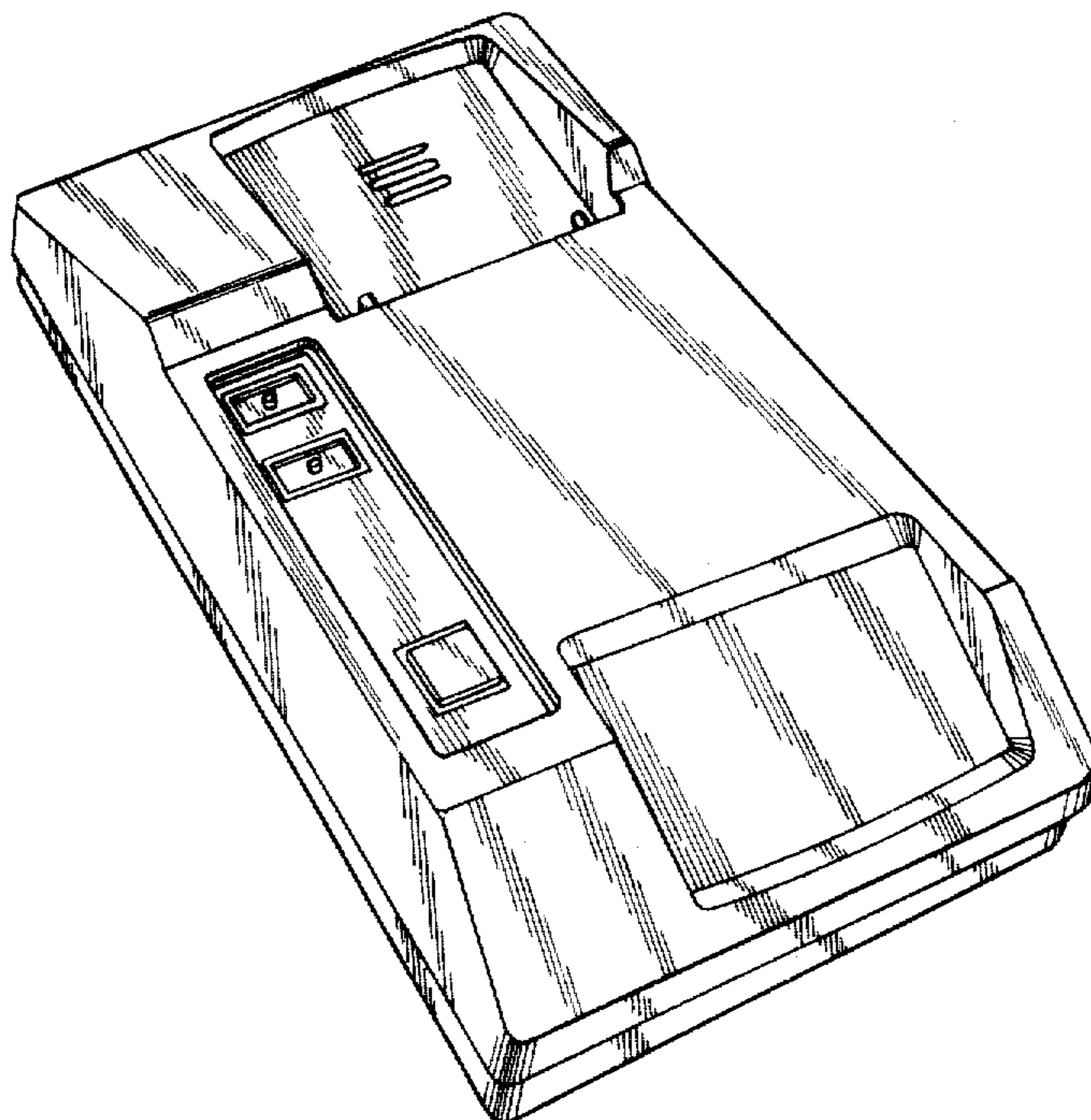
Primary Examiner—Bernard Ansher
Attorney, Agent, or Firm—Steven L. Permut; E. Dennis O'Connor; Leon E. Redman

[57] CLAIM

A telephone base station, as shown and described.

DESCRIPTION

FIG. 1 is a perspective view of a telephone base station showing our new design, wherein the base station has its antenna in a lowered position;
FIG. 2 is a top plan view thereof;
FIG. 3 is a right side view thereof;
FIG. 4 is a left side view thereof;
FIG. 5 is a rear elevational view thereof;
FIG. 6 is a front elevational view thereof;
FIG. 7 is a bottom plan view thereof; and
FIG. 8 is a partial rear view thereof with the antenna in a raised position.



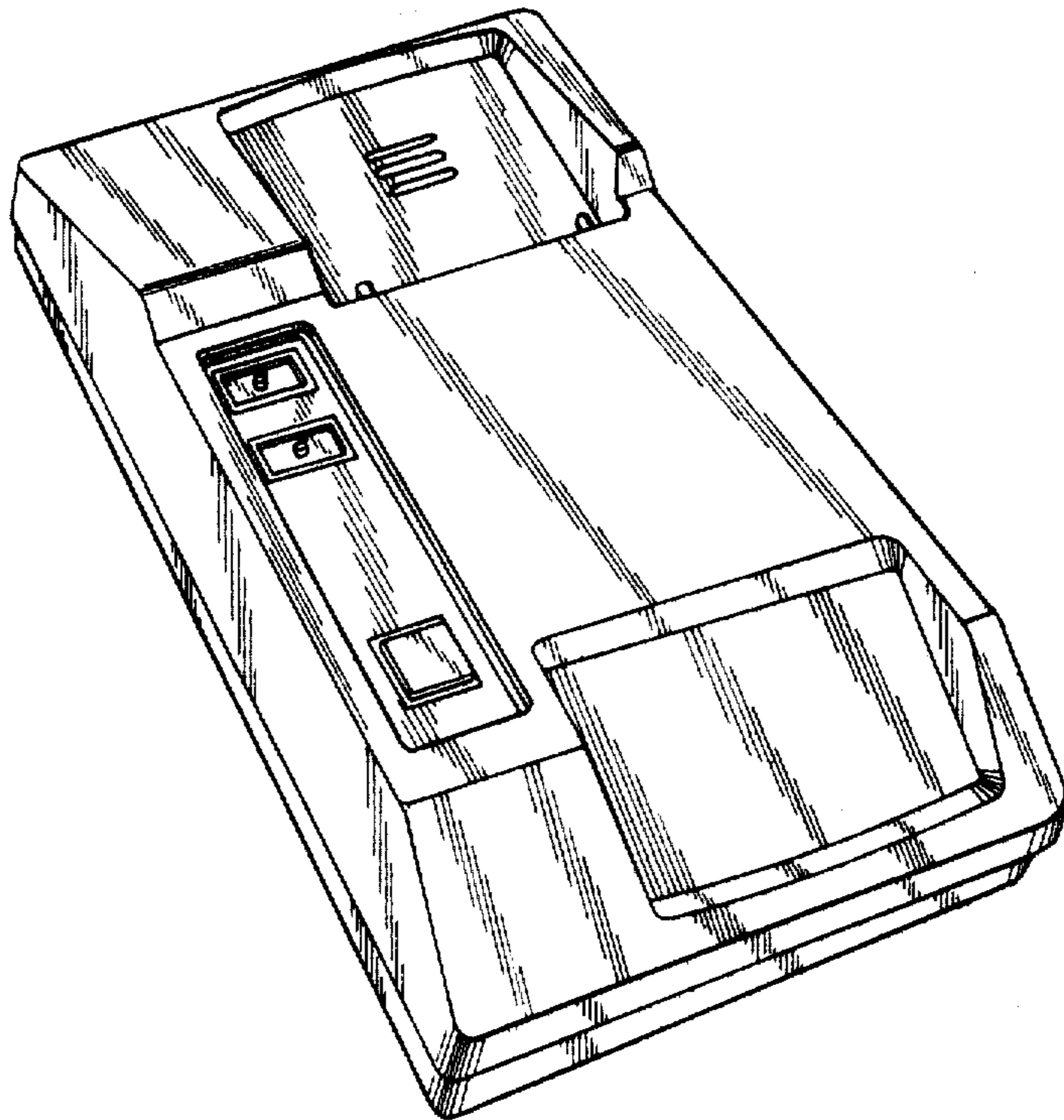


FIG. 1

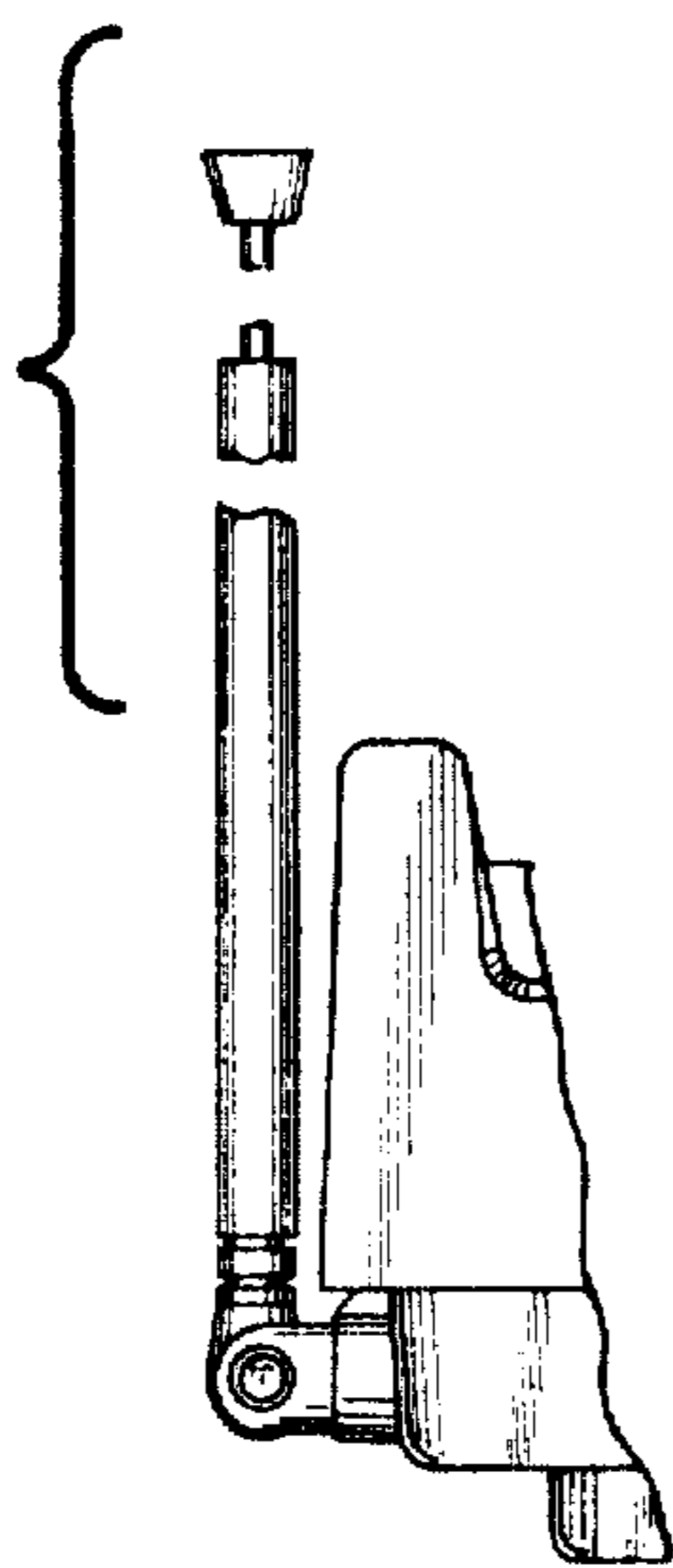


FIG. 8

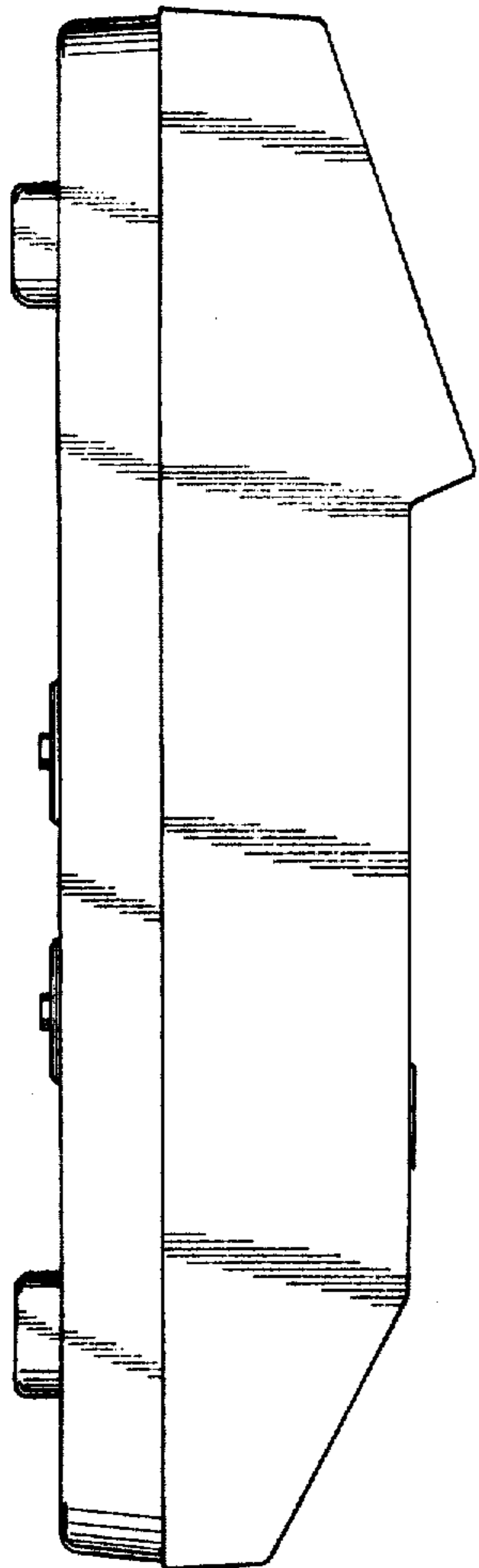


FIG. 3

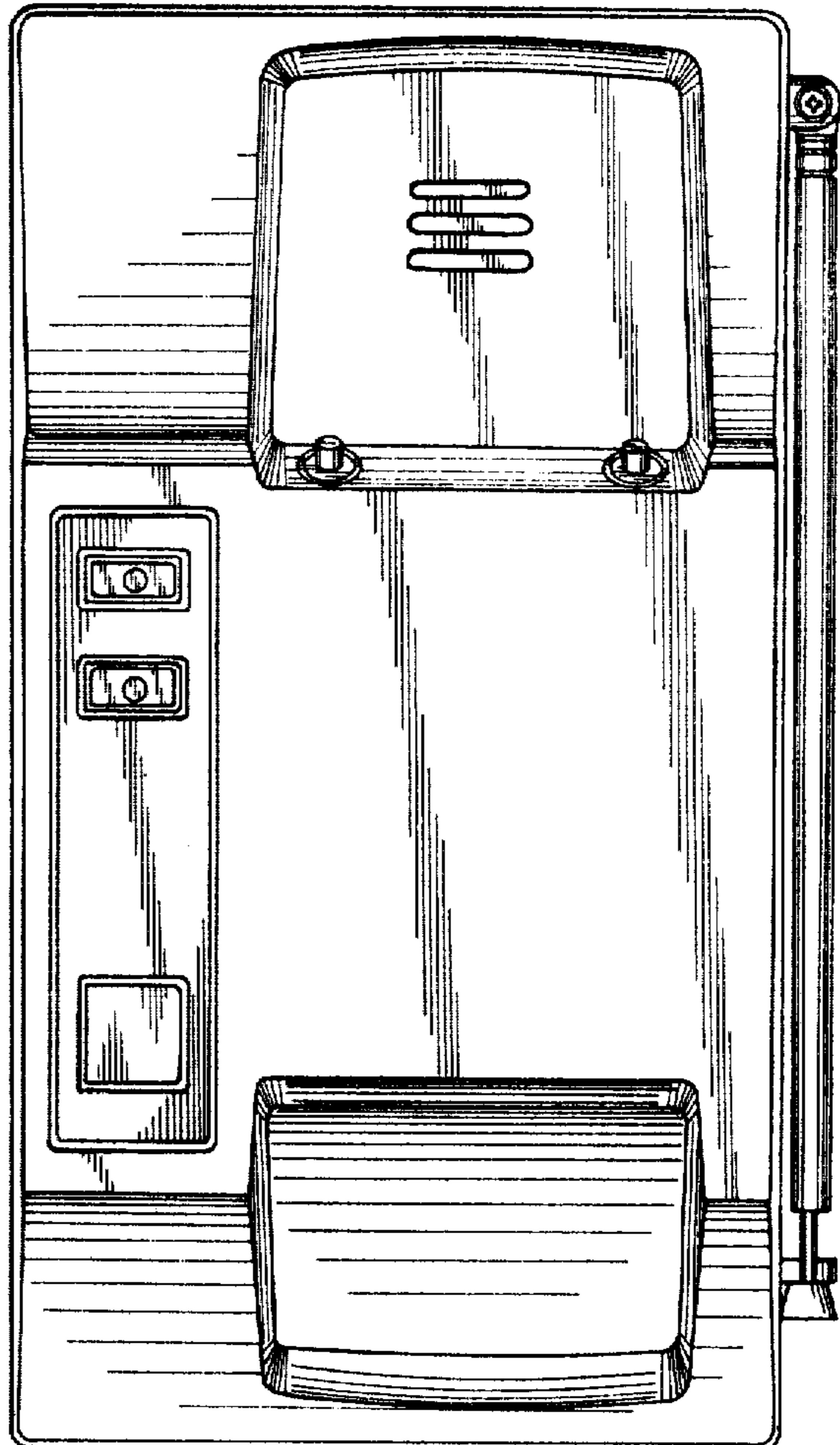
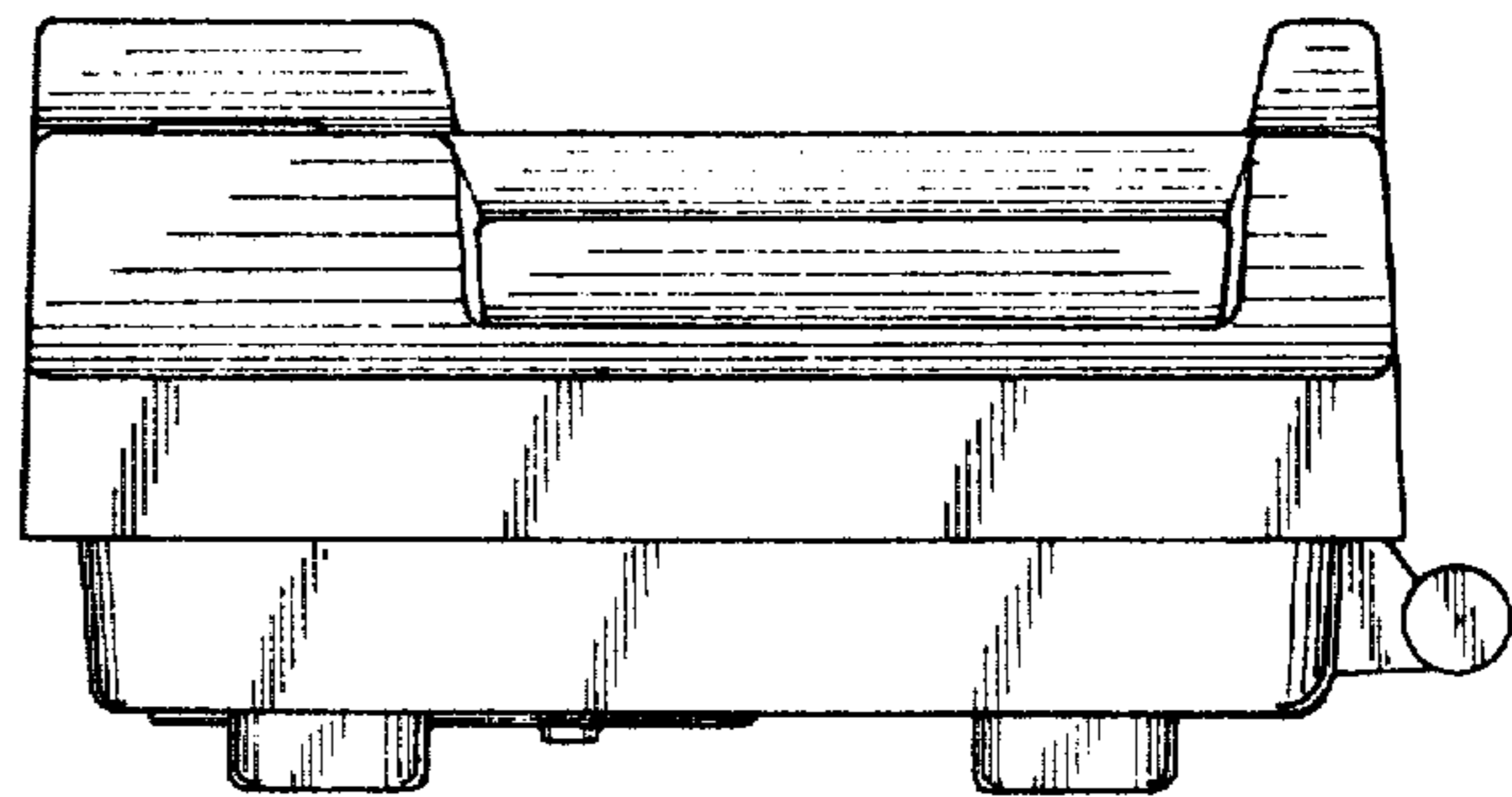


FIG. 2

FIG. 6



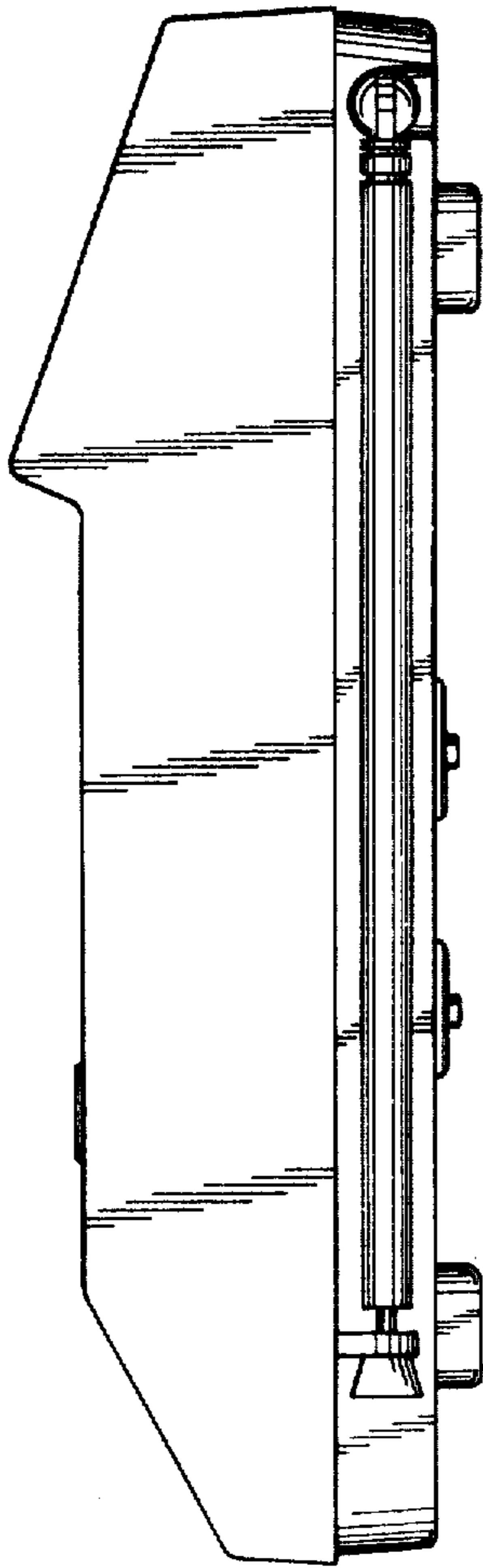


FIG. 4

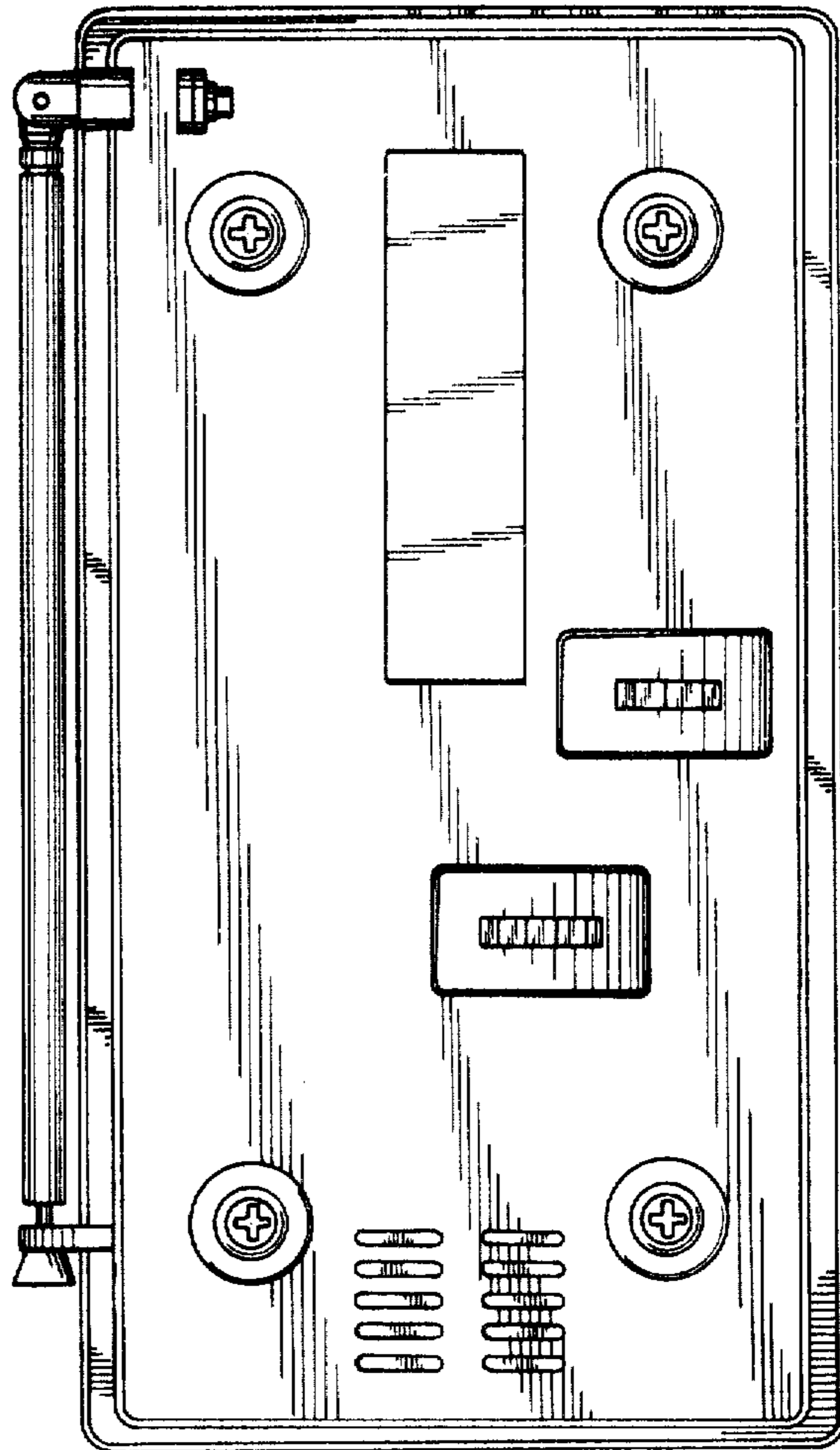


FIG. 7

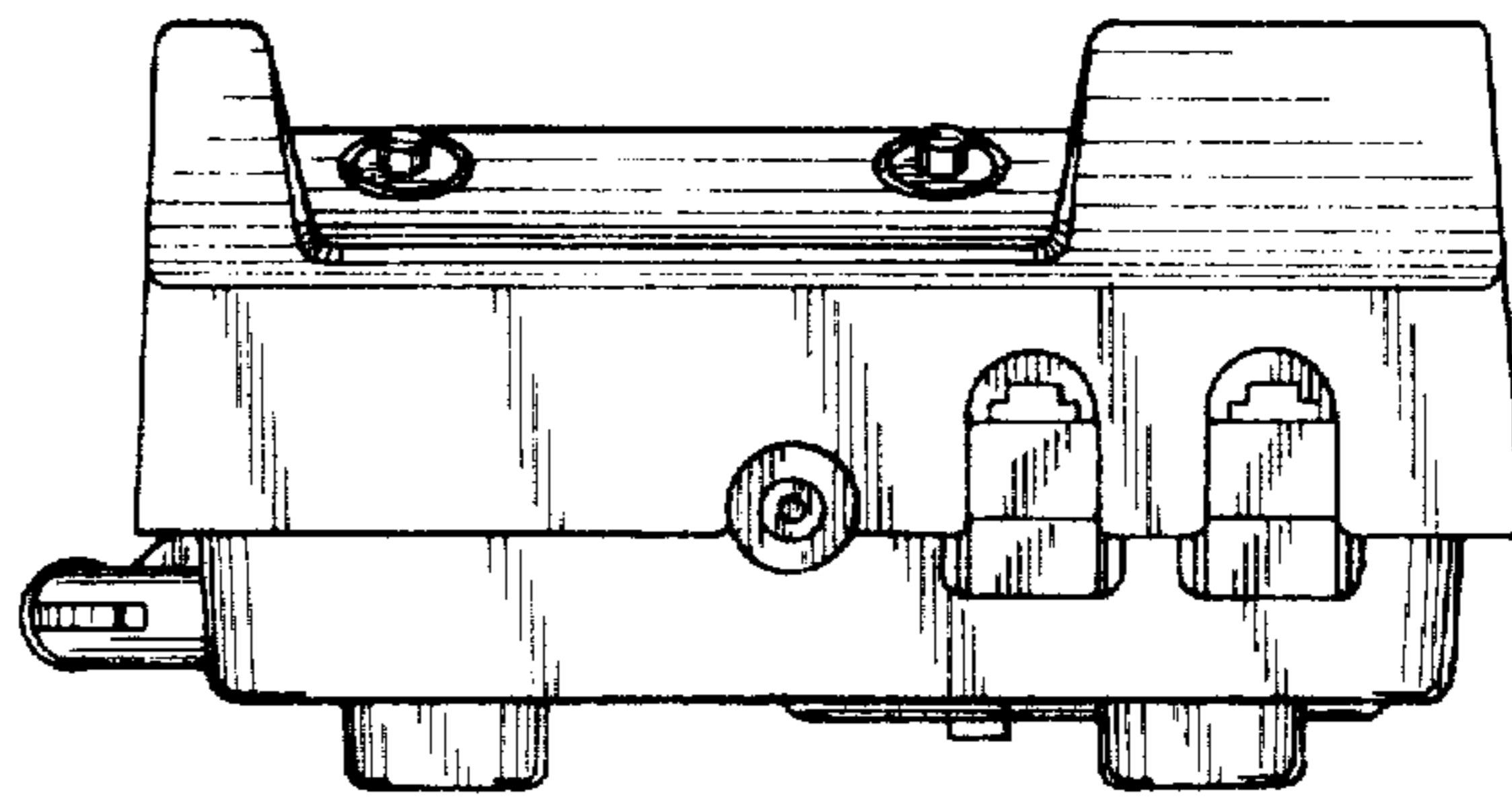


FIG. 5