

[54] **CONNECTOR HOUSING**

[75] Inventor: **Hisaki Mayumi, Tsu, Japan**  
[73] Assignee: **Tokai Electric Wire Co., Ltd.,  
Yokakichi, Japan**

[\*\*] Term: **14 Years**

[21] Appl. No.: **256,834**

[22] Filed: **Apr. 23, 1981**

[30] **Foreign Application Priority Data**

Feb. 2, 1980 [JP] Japan ..... 55-3271

[51] Int. Cl. .... **D13-24**  
[52] U.S. Cl. .... **D13/24**  
[58] Field of Search ..... **D13/24; 339/17 C, 17 CF,  
339/17 M, 18 R, 18 B, 196 R, 196 M, 191 M,  
191 R, 195 R, 195 A, 198 R, 198 G, 176, 176 M,  
176 MP, 102, 103, 157, 154, 91 R, 89**

[56] **References Cited**

**U.S. PATENT DOCUMENTS**

2,938,190 5/1960 Krehbiel ..... 339/176 M  
3,366,729 1/1968 Pauza ..... D13/24 X  
4,053,199 10/1977 Hollyday et al. .... 339/91 R X  
4,080,035 3/1978 Clark et al. .... 339/176 M X

**FOREIGN PATENT DOCUMENTS**

55-5768 12/1980 Japan ..... D13/24

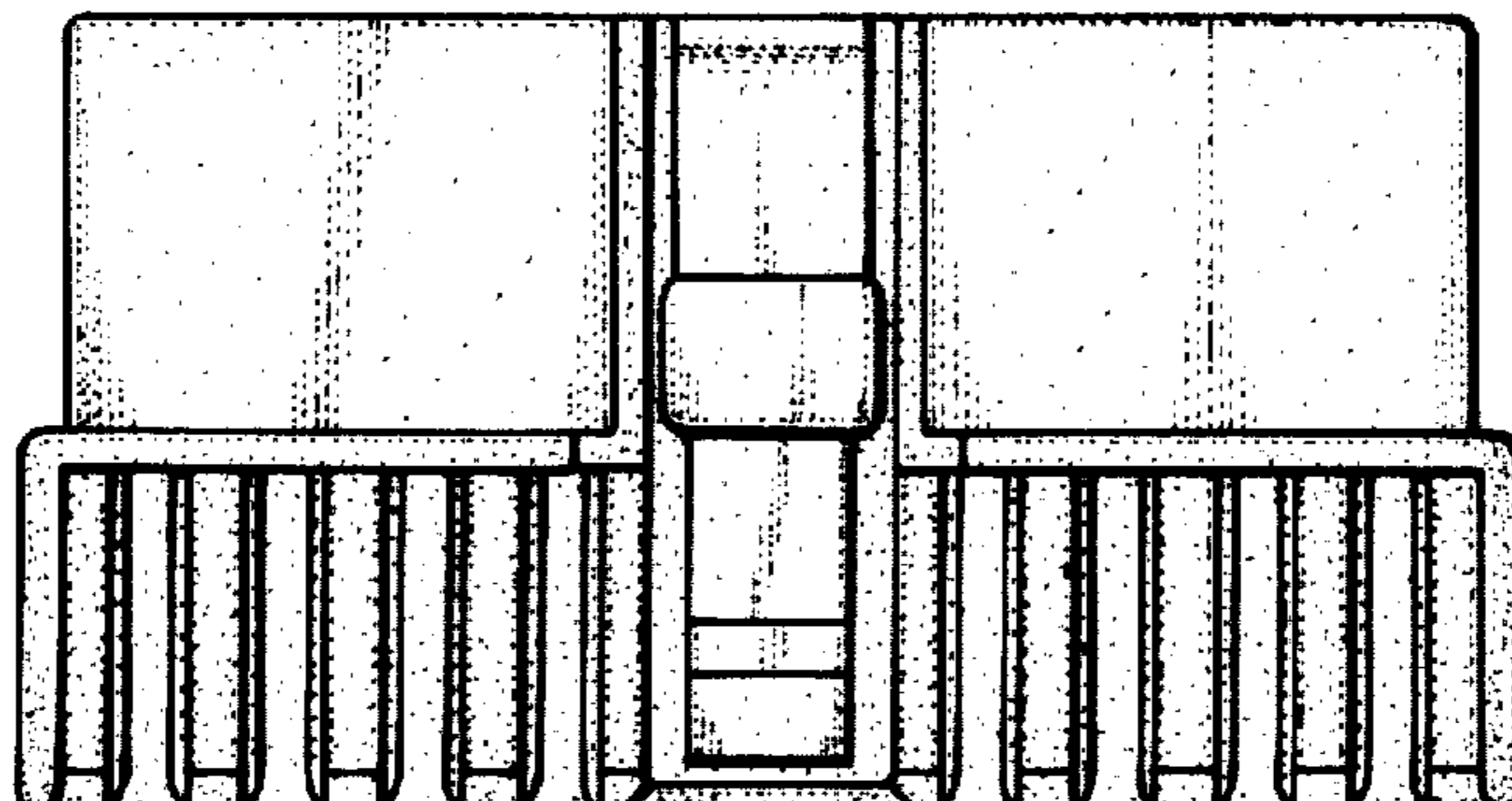
*Primary Examiner*—Susan J. Lucas  
*Attorney, Agent, or Firm*—Cushman, Darby & Cushman

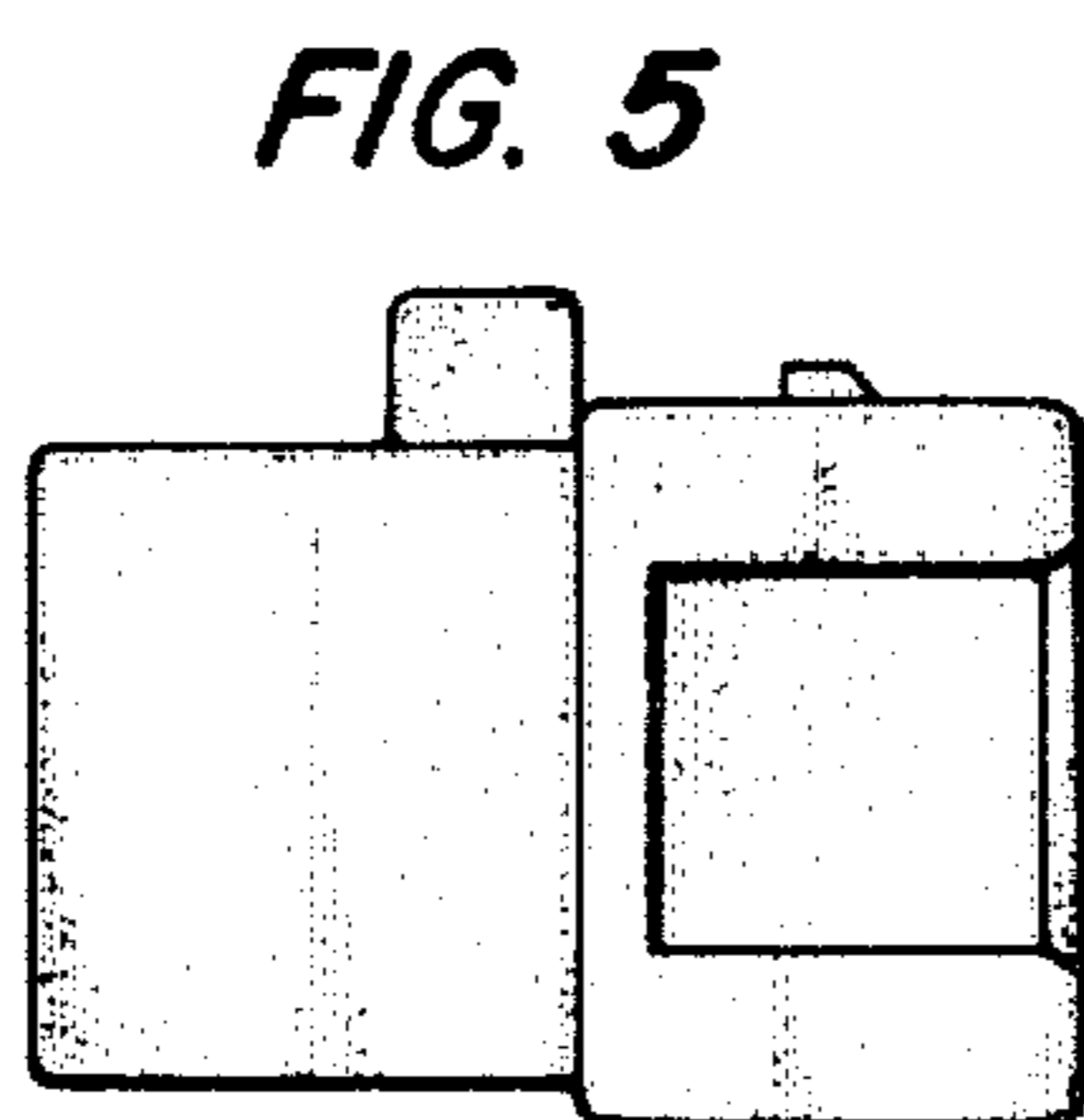
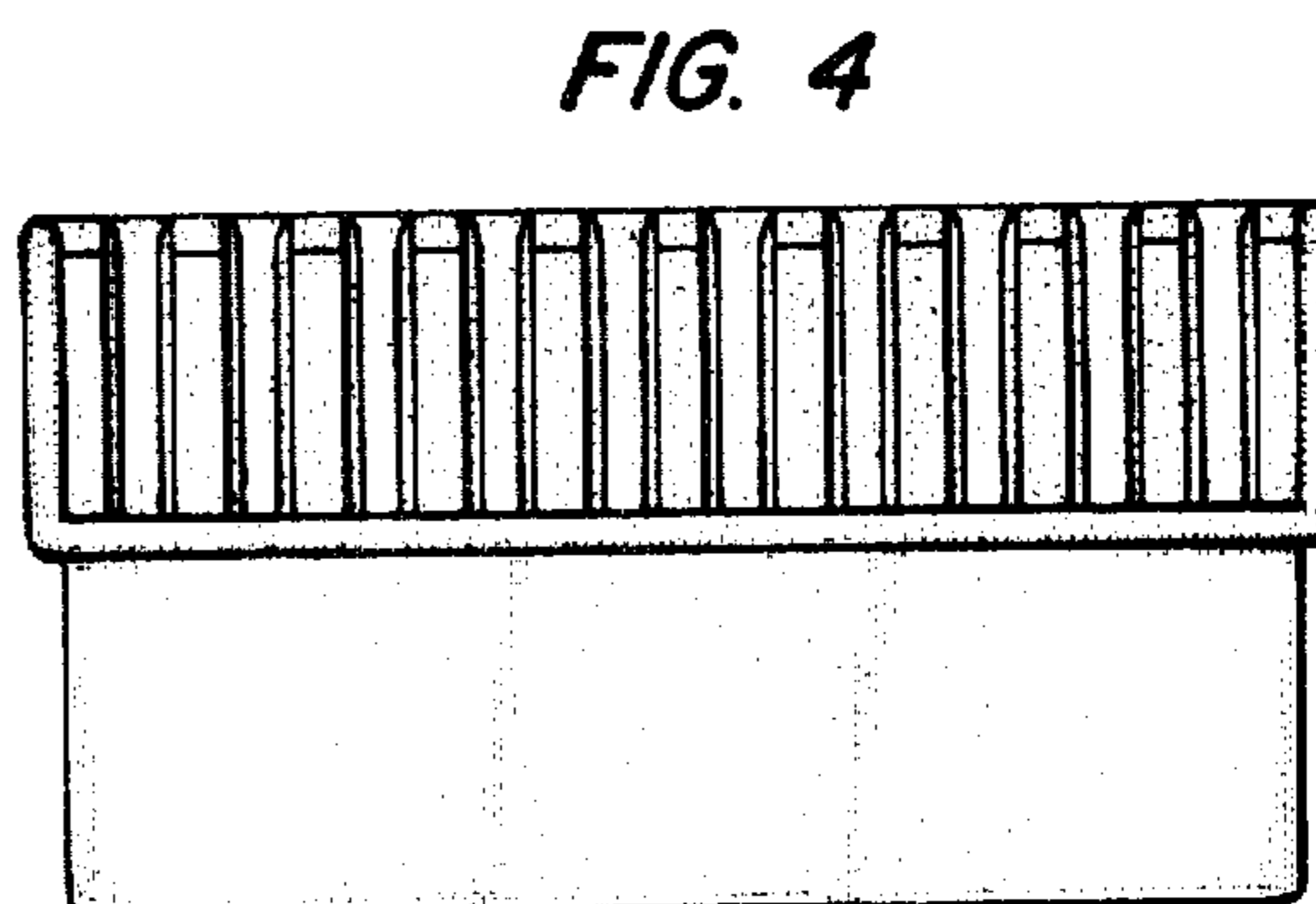
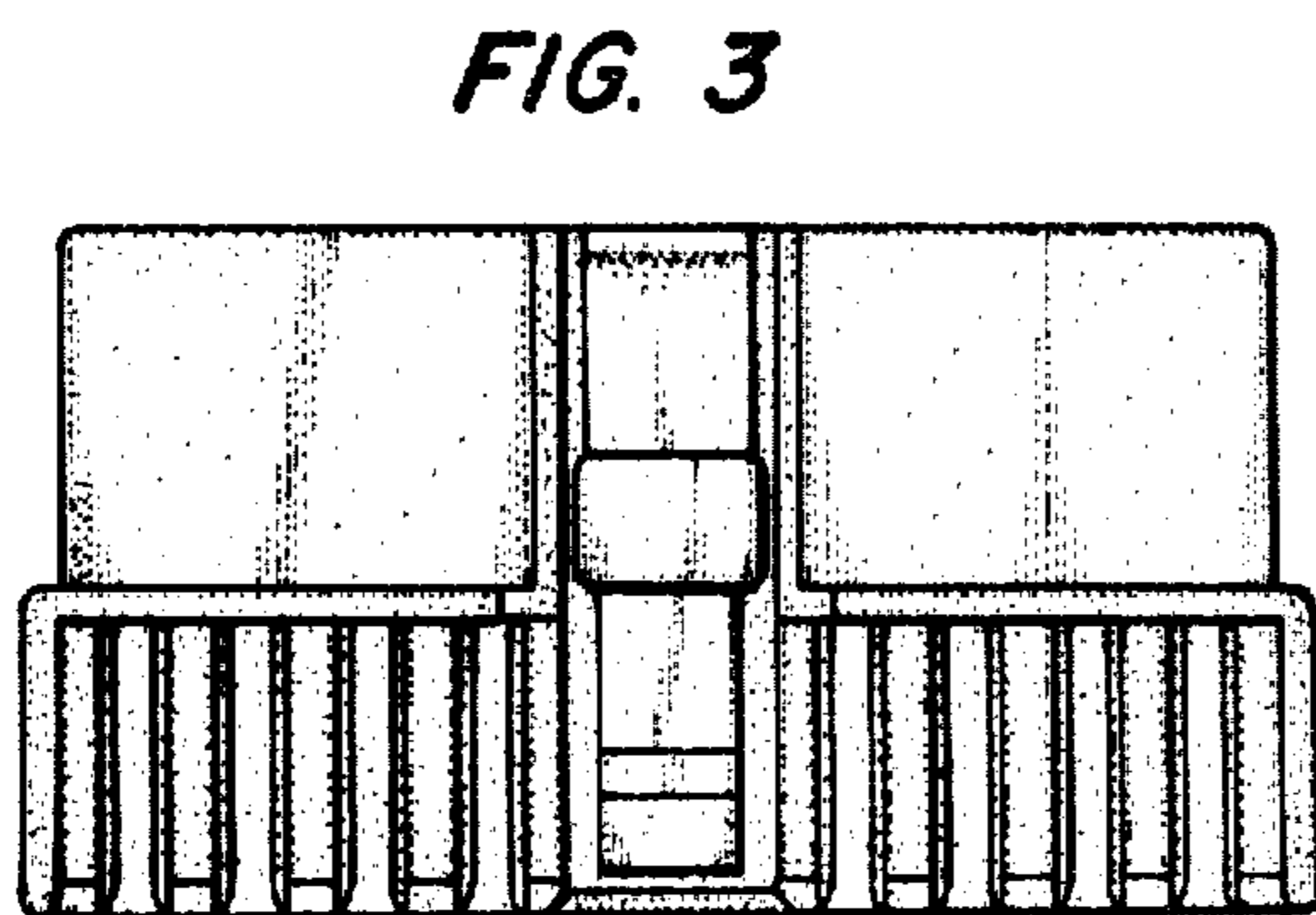
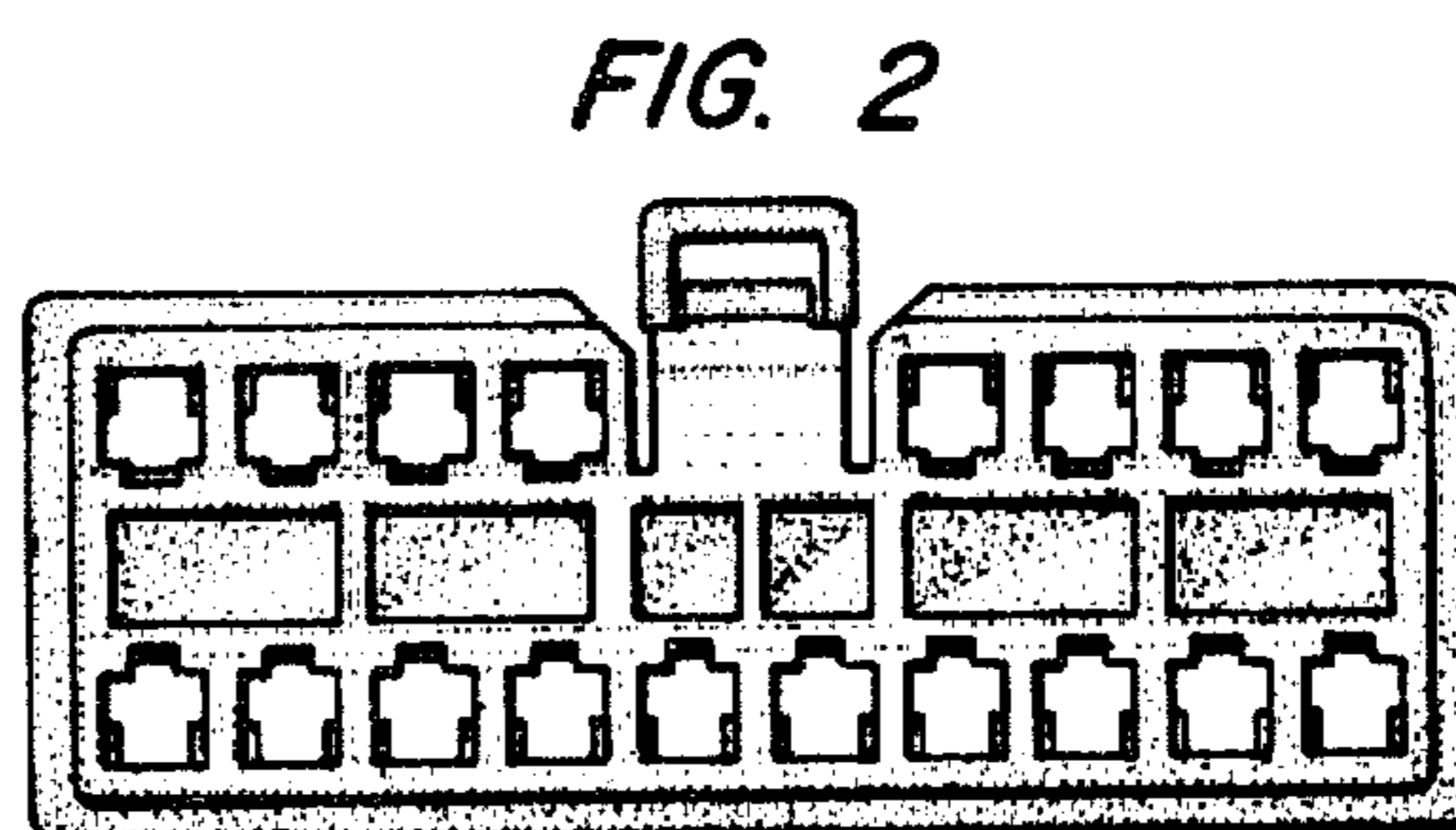
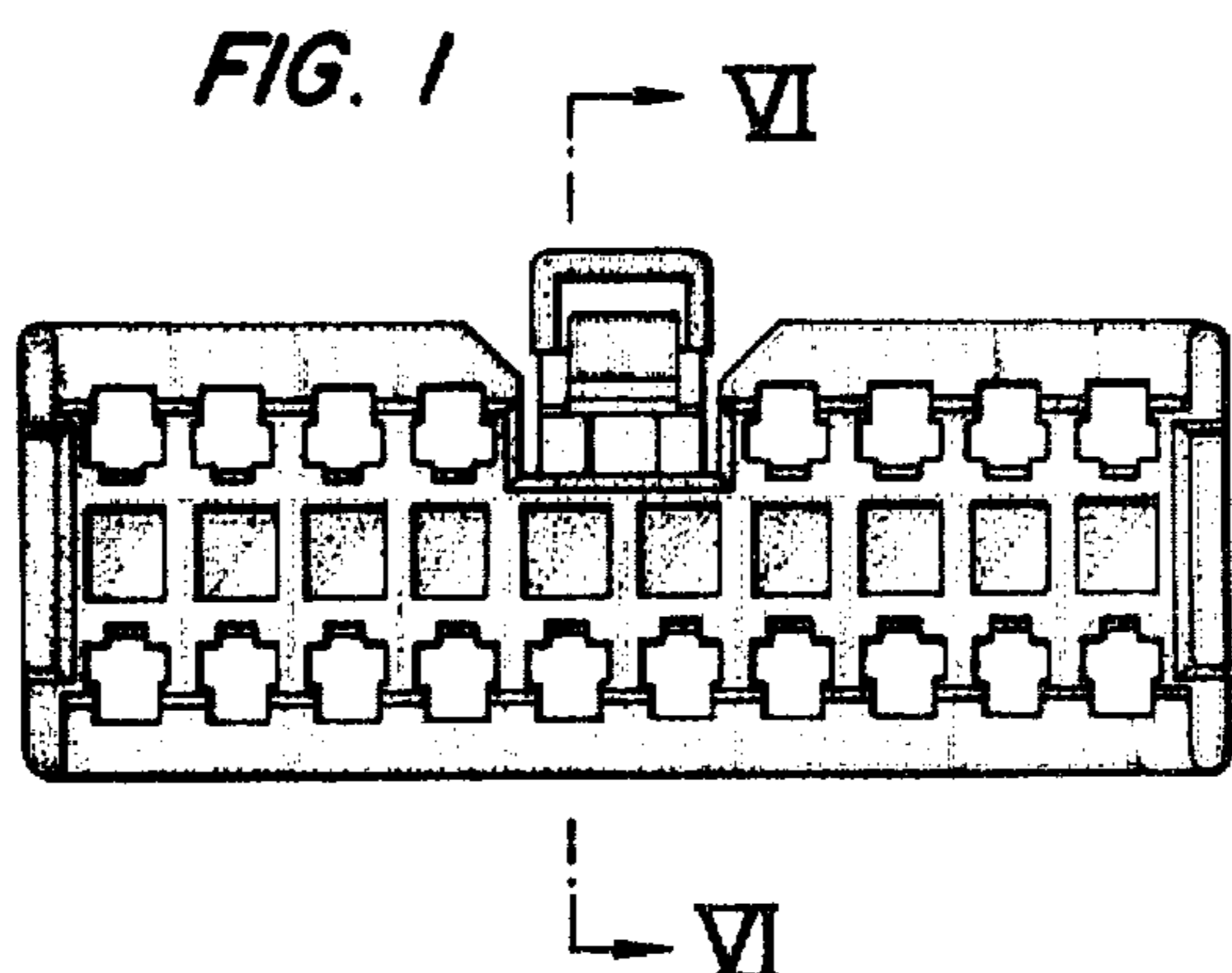
[57] **CLAIM**

The ornamental design for a connector housing, as shown.

**DESCRIPTION**

FIG. 1 is a front elevational view of a connector housing showing my new design.  
FIG. 2 is a rear elevational view thereof,  
FIG. 3 is a top plan view thereof,  
FIG. 4 is a bottom plan view thereof,  
FIG. 5 is a left side elevational view thereof, and  
FIG. 6 is a cross-sectional view thereof as taken along line VI—VI of FIG. 1.





**FIG. 6**

