

- [54] ELECTRICAL TERMINAL BOX
- [75] Inventor: Alan J. Varney, Thornton Heath, England
- [73] Assignee: Eltron (London) Limited, Croydon, England
- [**] Term: 14 Years
- [21] Appl. No.: 302,559
- [22] Filed: Sep. 16, 1981
- [30] Foreign Application Priority Data
Jul. 28, 1981 [GB] United Kingdom 1001695
- [51] Int. Cl. D13-03
- [52] U.S. Cl. D13/13
- [58] Field of Search 174/50 R, 52 R, 59, 174/60, 37, 38, 39, 57, 48; 220/3.2, 3.3, 3.4, 3.5, 3.7, 3.8; D13/13, 24, 40, 41

- [56] References Cited
- U.S. PATENT DOCUMENTS
- D. 187,593 4/1960 Stover D13/13
- 2,596,236 5/1952 Glosier 220/3.8
- 2,715,152 8/1955 Balzer 220/3.8 X
- 3,724,706 4/1973 Slocum 220/3.8

OTHER PUBLICATIONS

Electrical Record, 3/22, p. 196, "Acme" Floor Box.

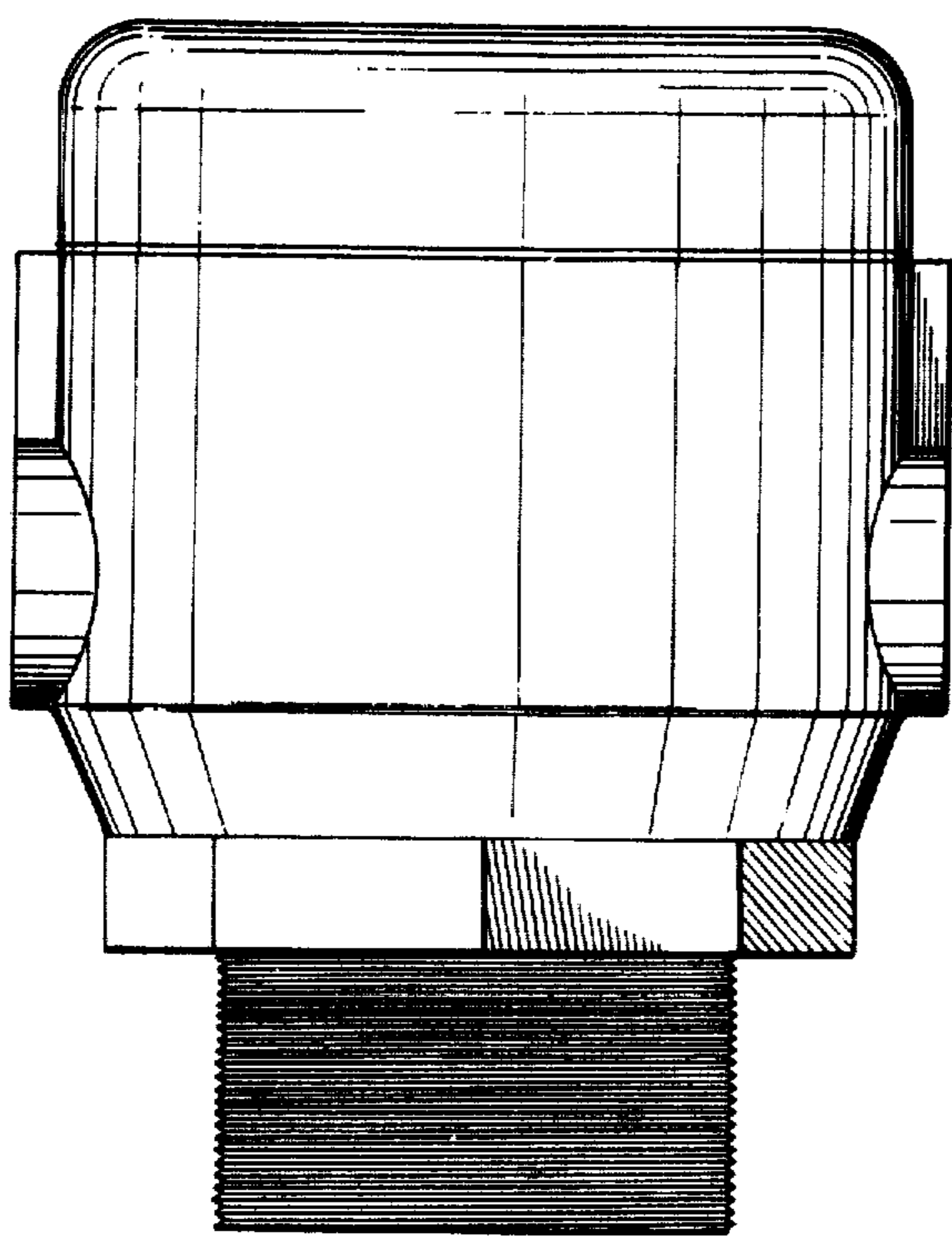
Primary Examiner—Susan J. Lucas
Attorney, Agent, or Firm—Laubscher, Philpitt & Laubscher

[57] CLAIM

The ornamental design for an electrical terminal box, as shown.

DESCRIPTION

FIG. 1 is a side elevational view of the electrical terminal box showing my new design;
FIG. 2 is a top plan view thereof;
FIG. 3 is an end elevational view thereof;
FIG. 4 is a bottom plan view thereof.



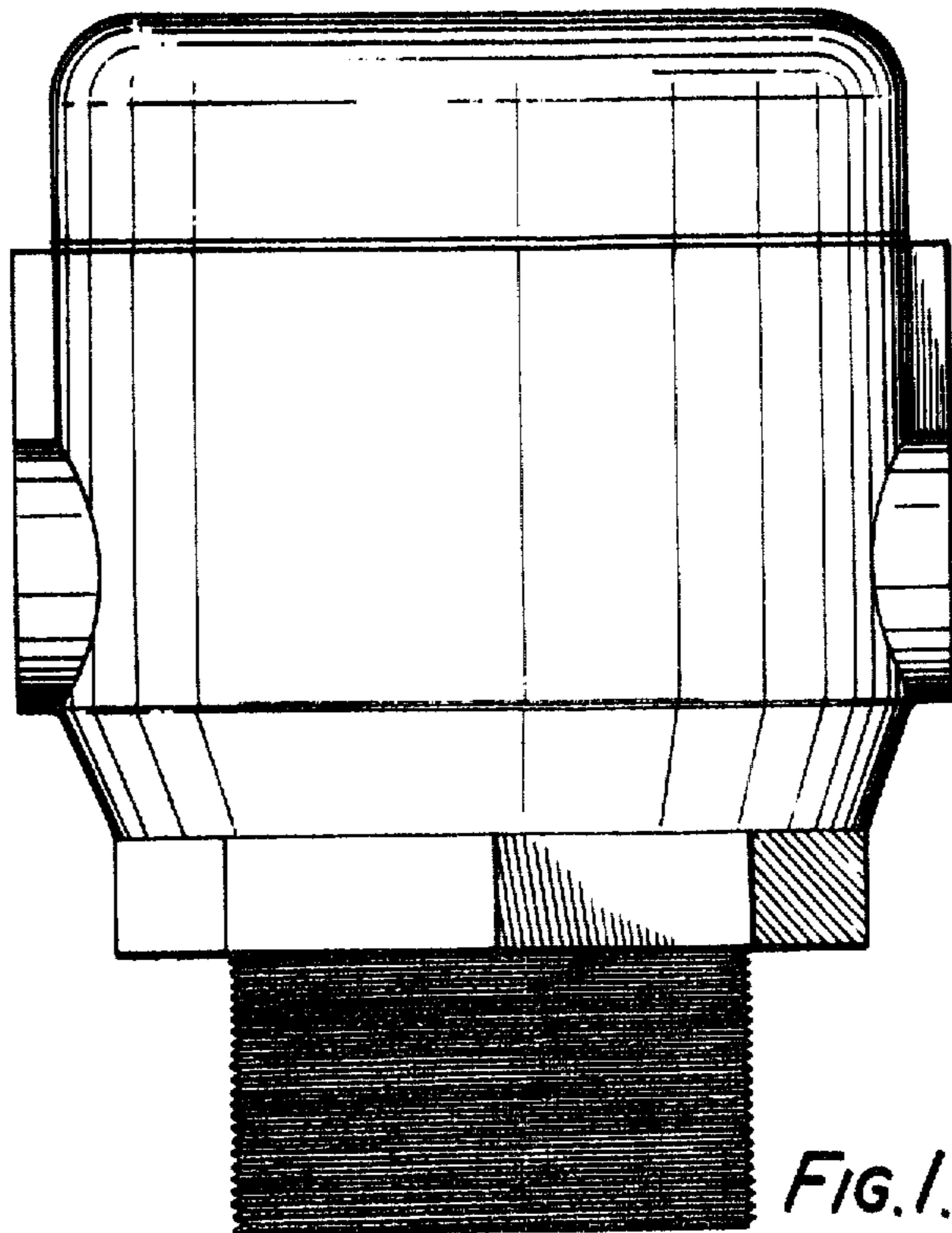


FIG. 1.

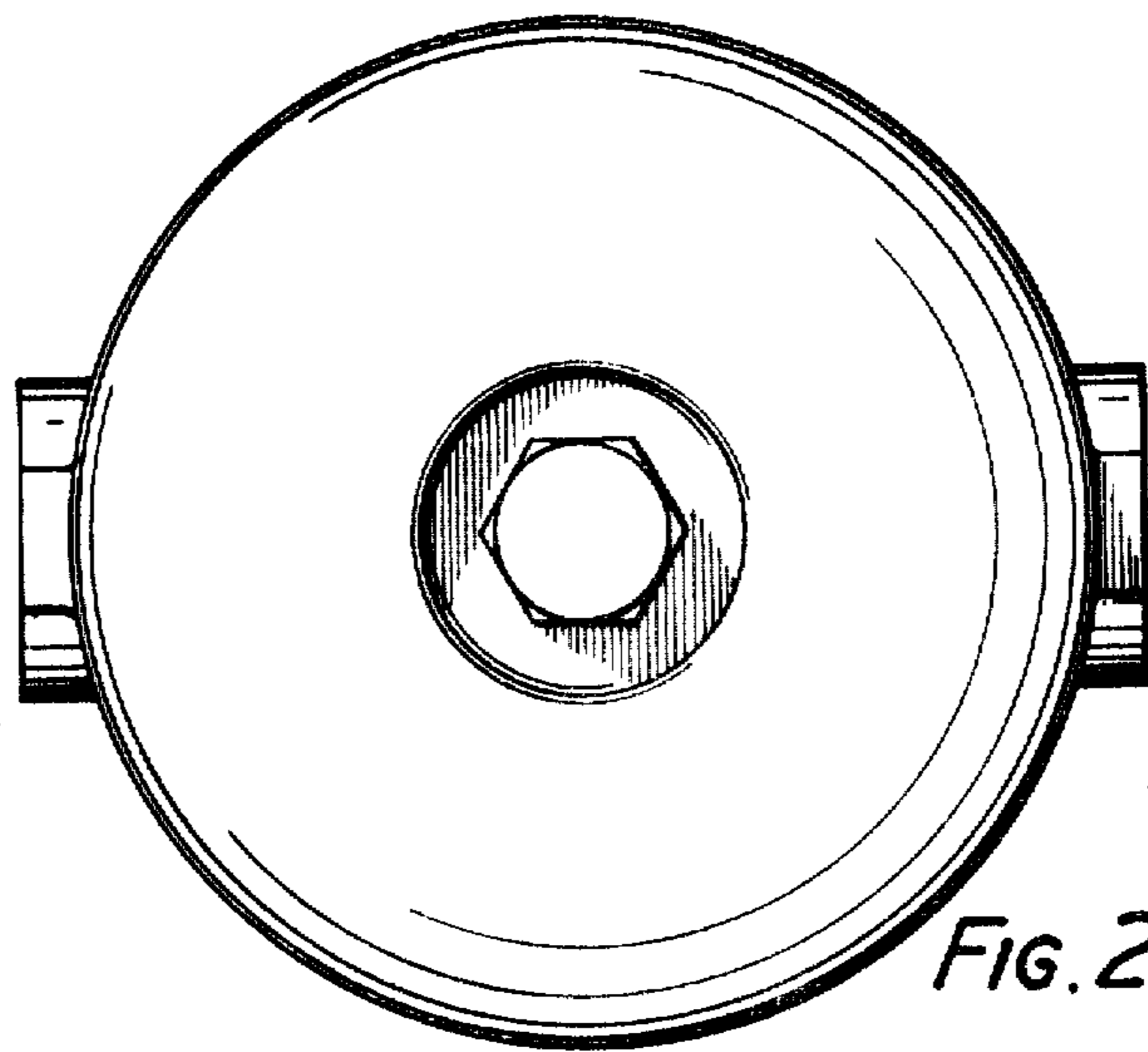


FIG. 2.

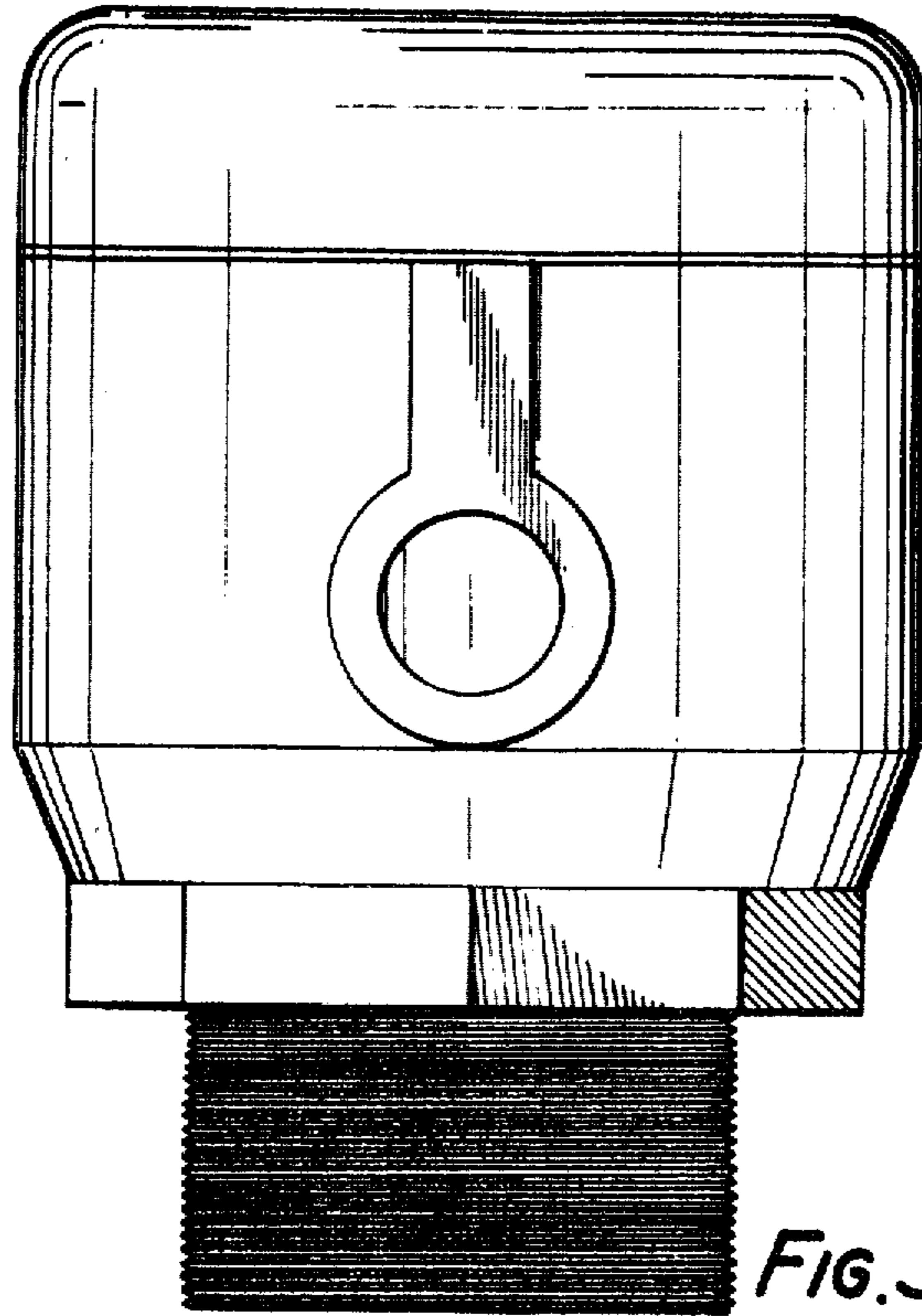


FIG. 3.

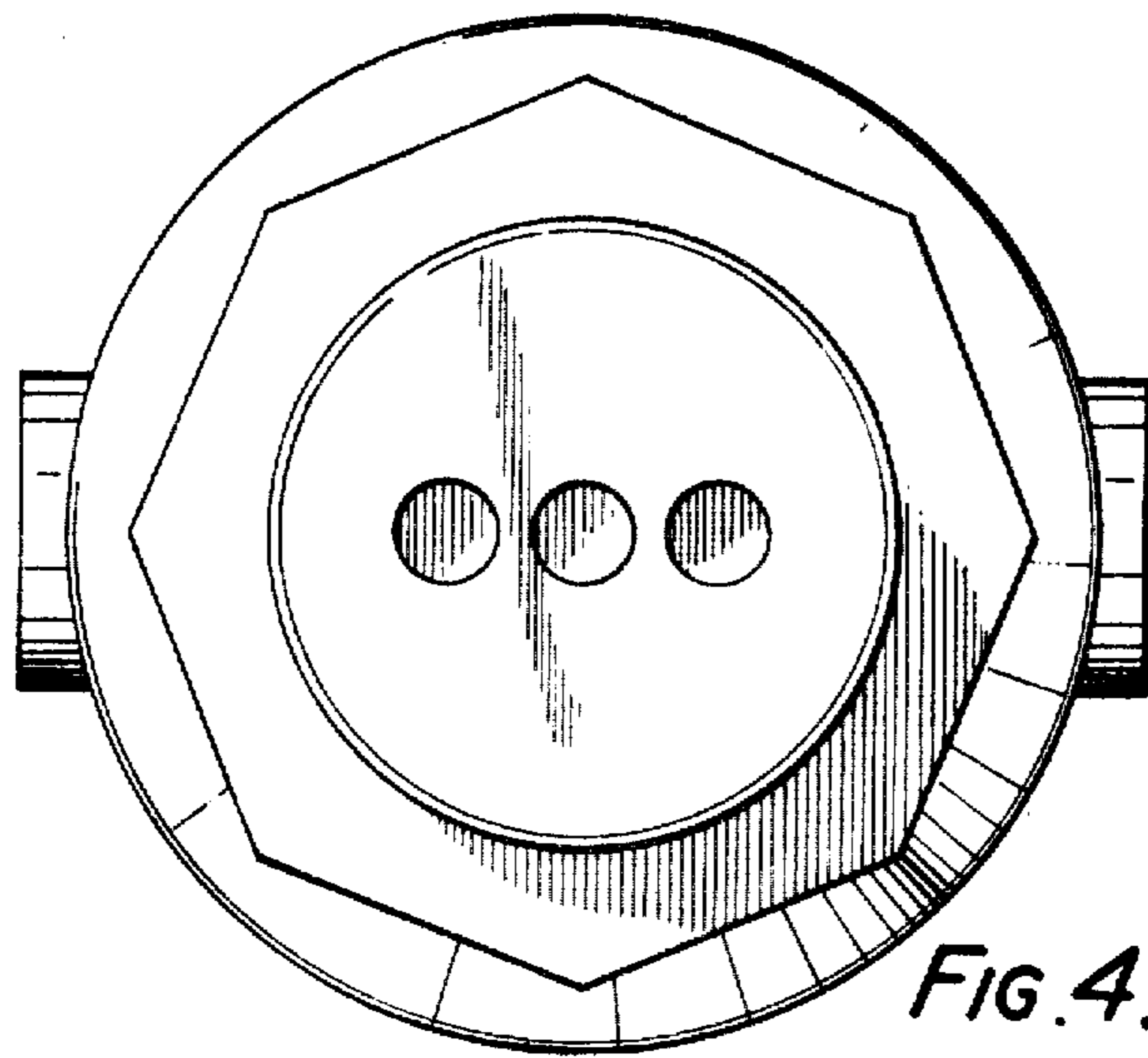


FIG. 4.