

[54] CONTAINER HANDLE OR SIMILAR ARTICLE

[75] Inventor: Thomas H. Hayes, Westport, Conn.

[73] Assignee: Ethyl Corporation, Richmond, Va.

[*] Notice: The portion of the term of this patent subsequent to Dec. 2, 1994 has been disclaimed.

[**] Term: 14 Years

[21] Appl. No.: 269,542

[22] Filed: Jun. 3, 1981

[51] Int. Cl. D9-99
[52] U.S. Cl. D9/434
[58] Field of Search D9/378-383, D9/434; 215/1 R, 1 C; D7/9, 10, 19, 20, 393-395

[56] References Cited

U.S. PATENT DOCUMENTS

- D. 204,780 5/1966 Schilling D7/9
D. 220,712 5/1971 Refsgaard D7/9
D. 257,524 11/1980 Heinrich D7/9
D. 257,578 12/1980 Hayes D9/378
3,189,937 6/1965 Sciortino D7/394
4,280,630 7/1981 Hafele 215/1 C X

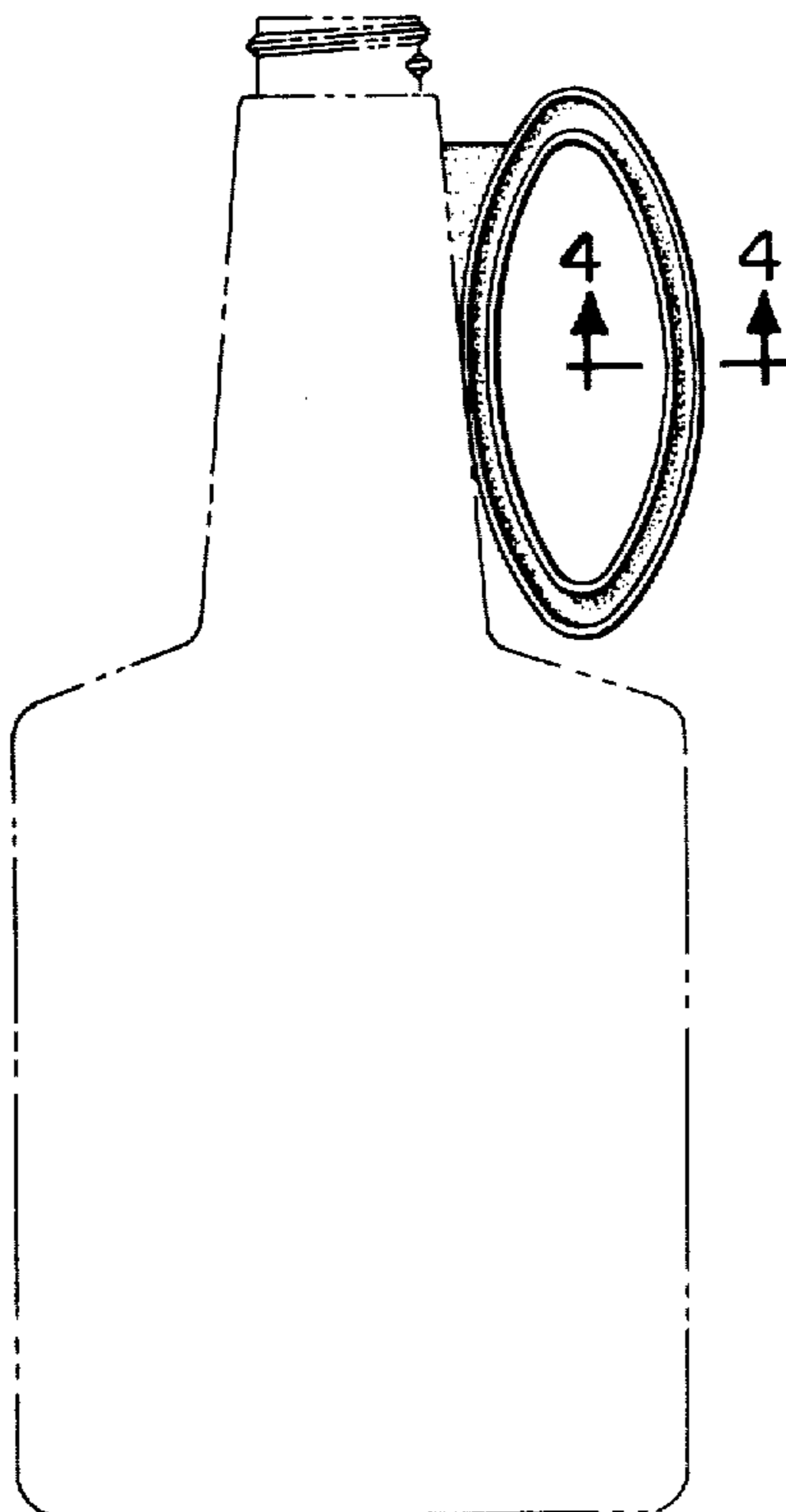
Primary Examiner—Robert C. Spangler
Attorney, Agent, or Firm—Donald L. Johnson; John F. Sieberth; Edgar E. Spielman, Jr.

[57] CLAIM

The ornamental design for a container handle, or similar article, substantially as shown and described.

DESCRIPTION

FIG. 1 is a side elevational view of a container handle embodying my new design; FIG. 2 is a front elevational view; FIG. 3 is a top plan view; and FIG. 4 is a fragmentary, sectional view taken on the line 4-4 of FIG. 1. A container is shown in broken lines in FIGS. 1, 2 and 3 to illustrate environmental use.



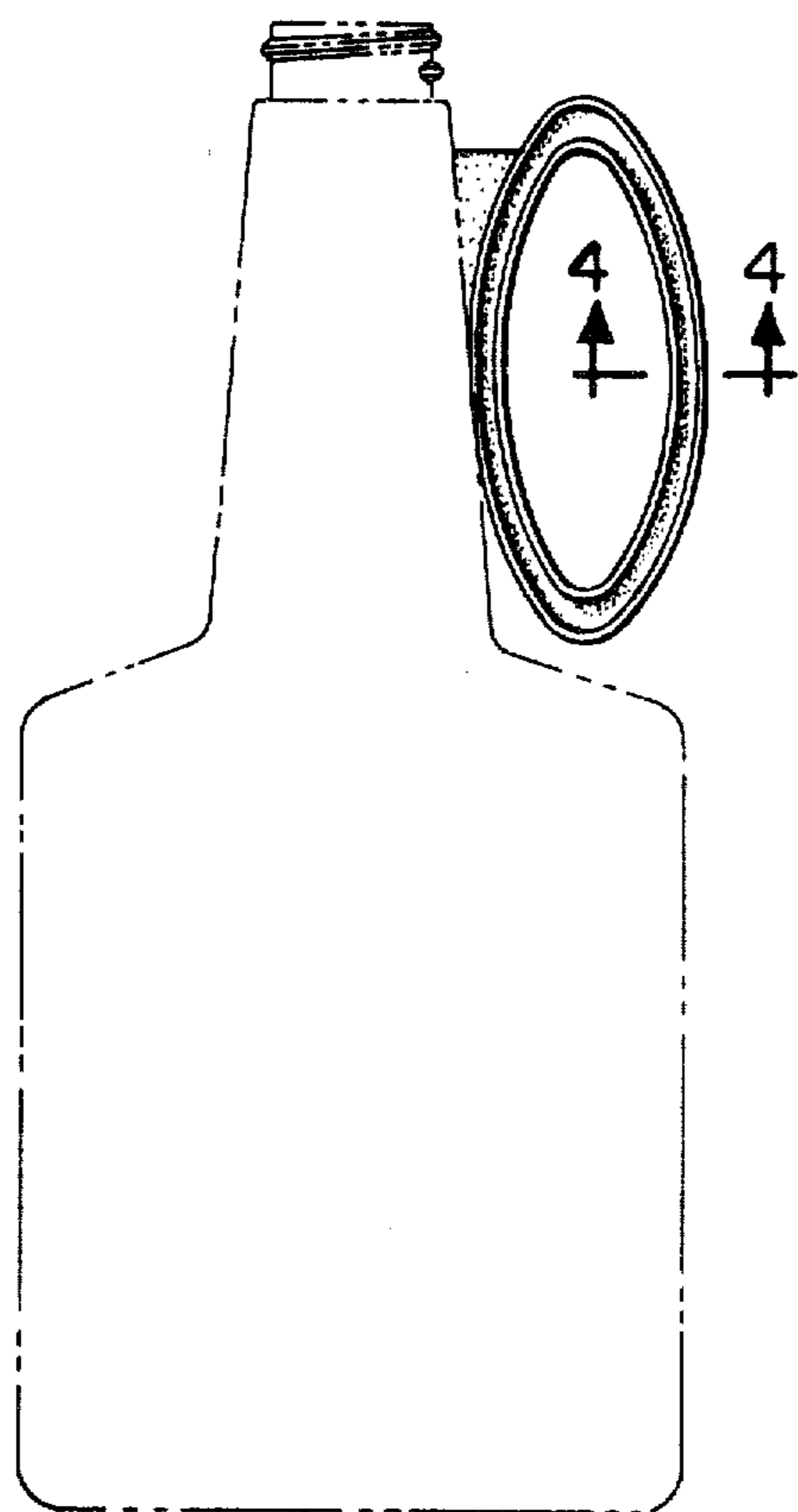


FIG. 1.

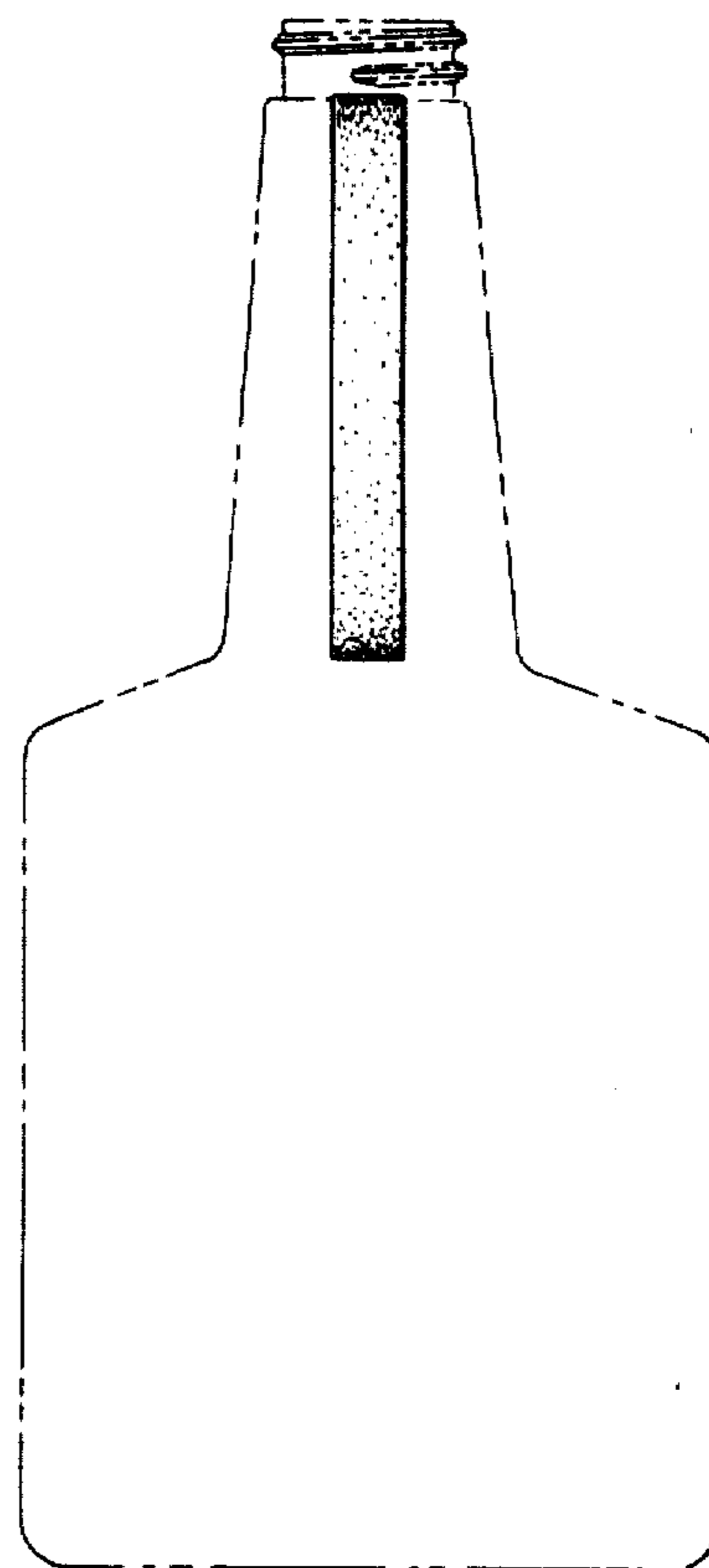


FIG. 2.

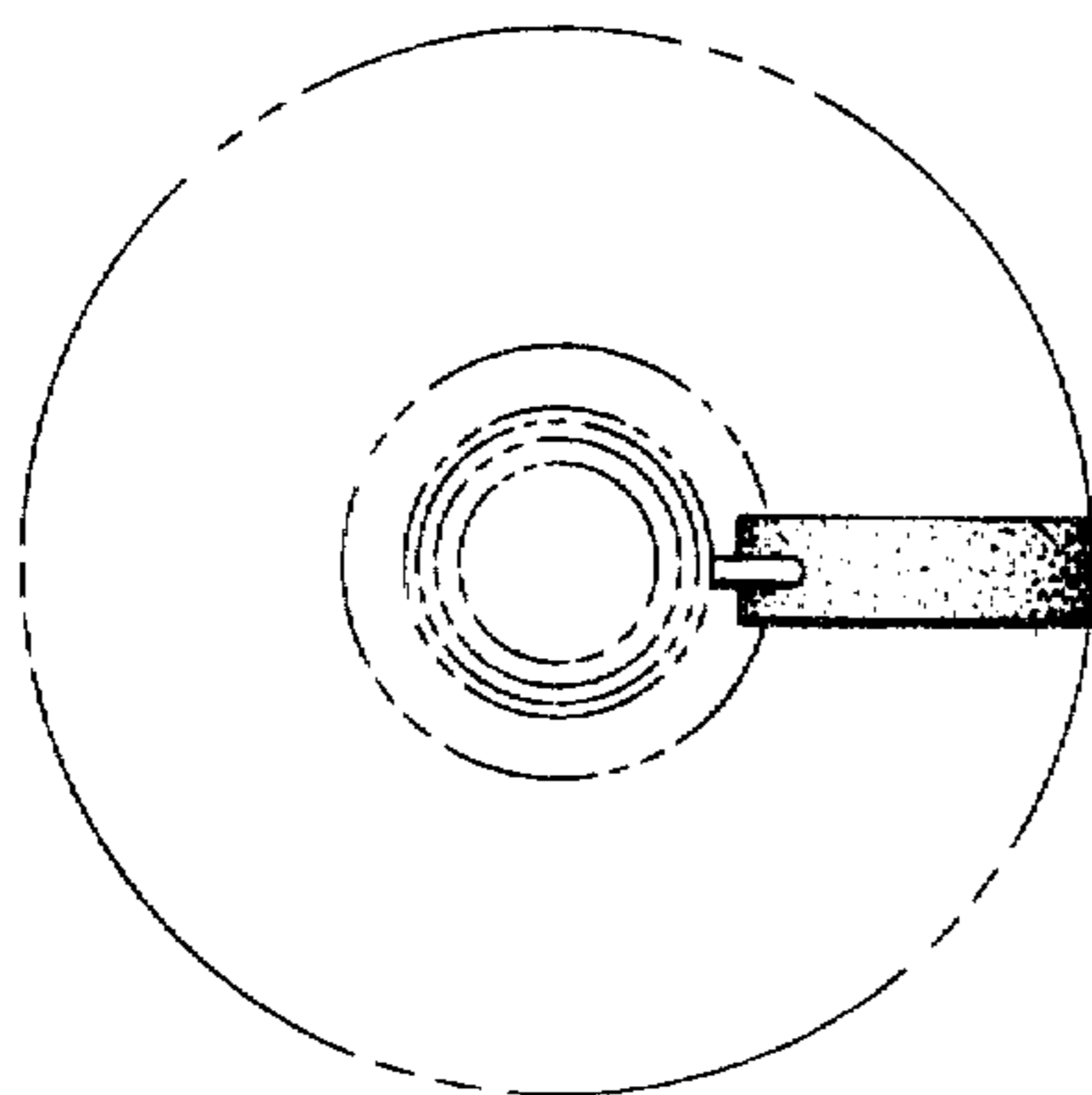


FIG. 3.



FIG. 4.