

[54] COMBINATION REBAR SUPPORT AND NAILING BLOCK

[76] Inventor: David A. Van Doren, P.O. Box 1008, Hays, Kans. 67601

[\*\*] Term: 14 Years

[21] Appl. No.: 241,751

[22] Filed: Mar. 9, 1981

[51] Int. Cl. .... D8-08

[52] U.S. Cl. .... D8/356; D8/384; D8/396

[58] Field of Search ..... D8/354, 356, 382, 384, D8/396; 52/677, 687-689; 248/68 CB, 74.3; 24/335, 339

[56] References Cited

U.S. PATENT DOCUMENTS

- D. 223,803 6/1972 Lichnecker ..... D8/384
- D. 240,708 7/1976 Ilukowicz ..... D8/356
- D. 264,682 6/1982 Van Doren ..... D8/354

- 3,105,423 10/1963 Reiland ..... 52/677
- 4,063,397 12/1977 Follows ..... 52/687
- 4,306,697 12/1981 Mathews ..... 248/68 CB

FOREIGN PATENT DOCUMENTS

- 986450 3/1965 United Kingdom ..... 52/677

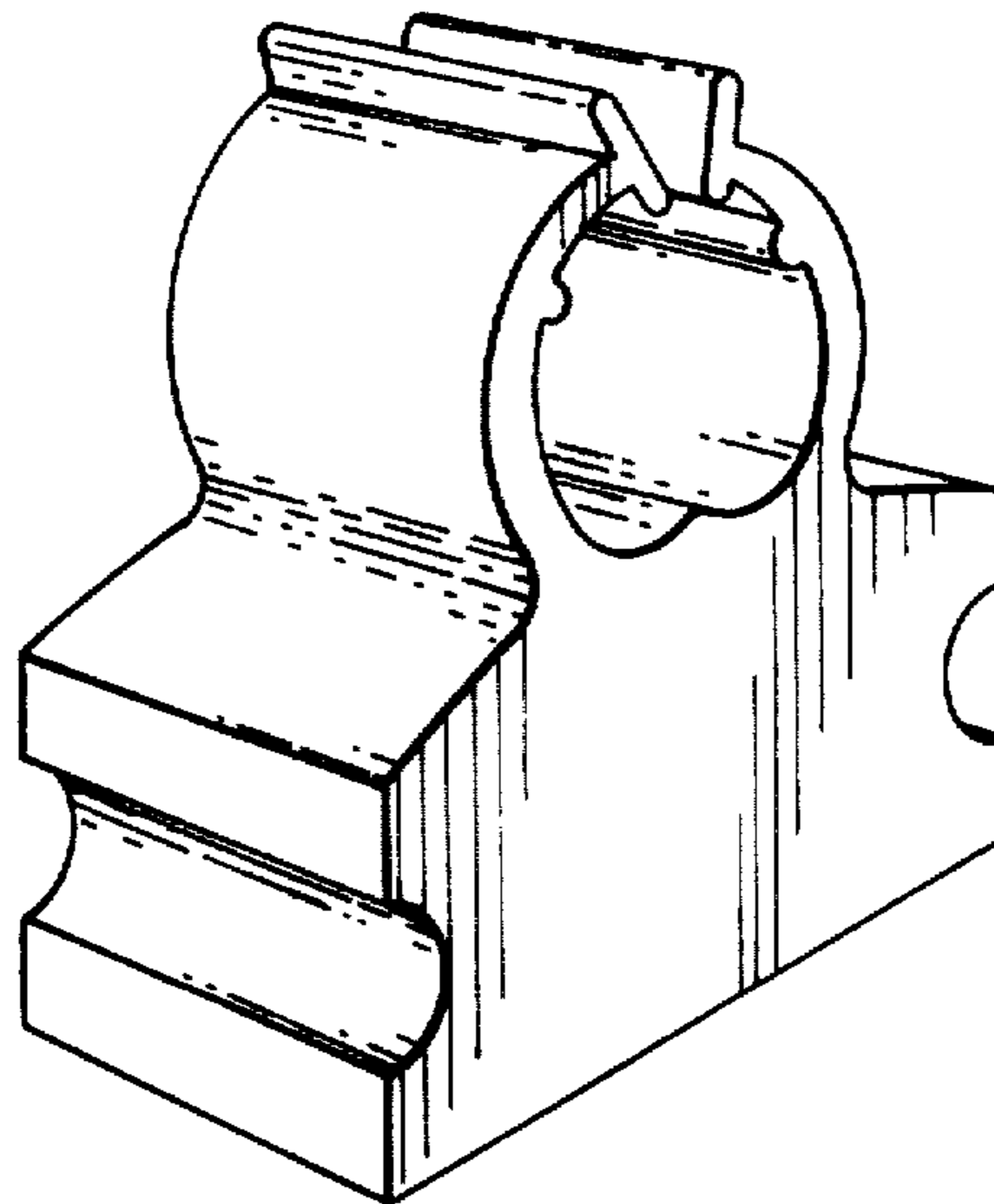
Primary Examiner—B. J. Bullock  
Attorney, Agent, or Firm—D. A. N. Chase; Michael Yakimo, Jr.

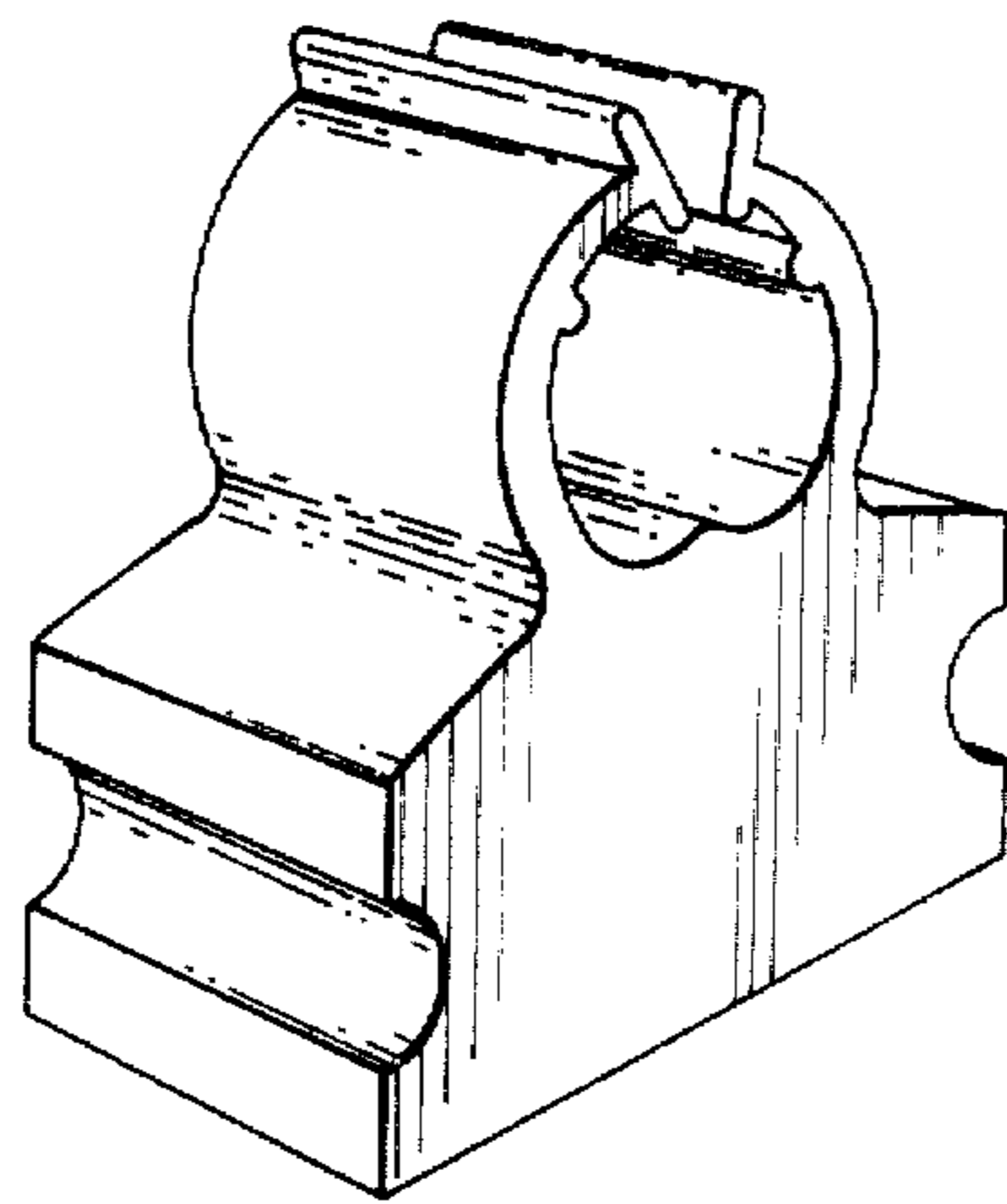
[57] CLAIM

The ornamental design for a combination rebar support and nailing block, as shown and described.

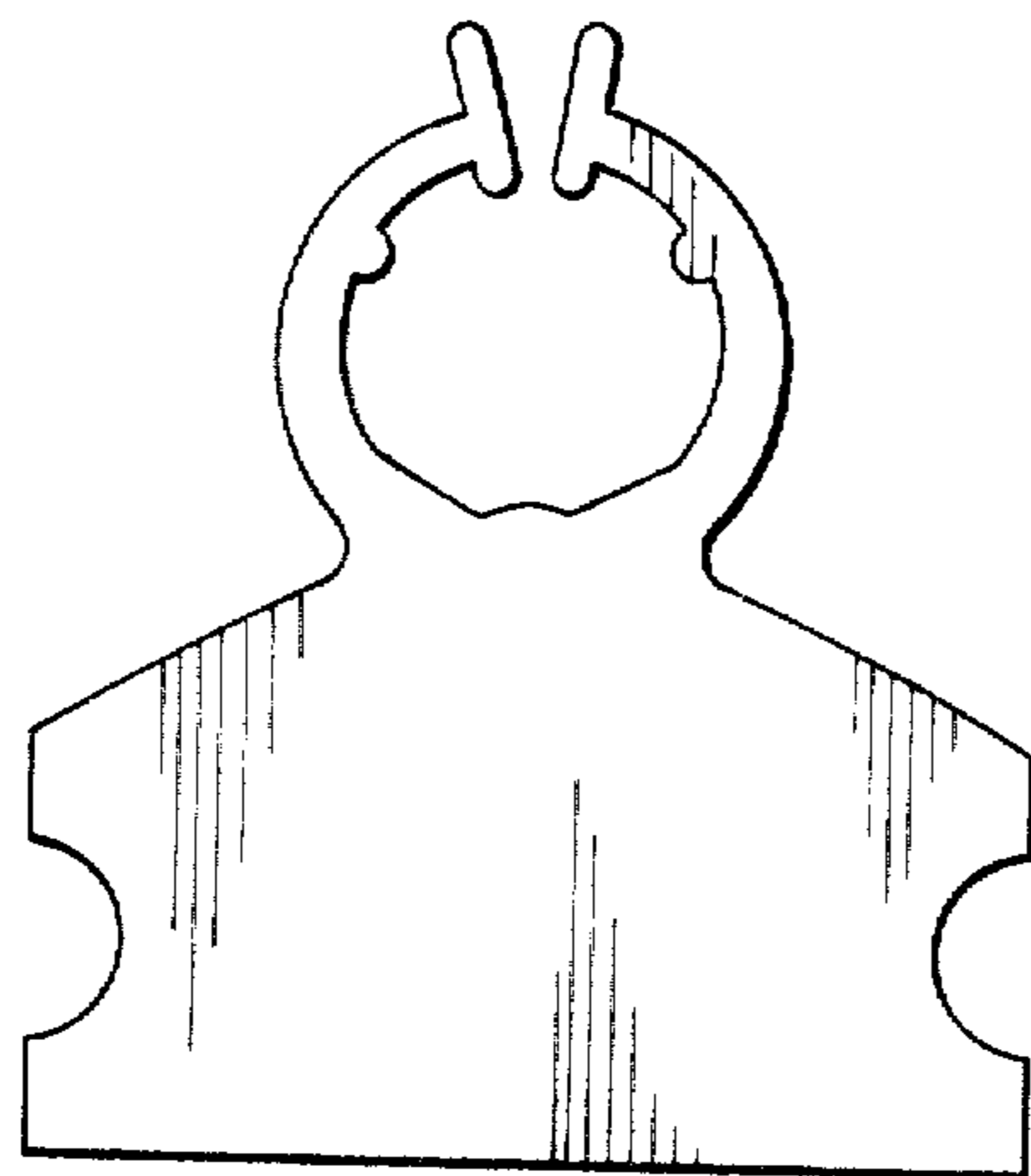
DESCRIPTION

FIG. 1 is a front elevational view of a combination rebar support and nailing block showing my new design; FIG. 2 is a front elevational view thereof, the rear being identical; FIG. 3 is a side elevational view thereof, both a sides being identical; FIG. 4 is a top plan view thereof; and FIG. 5 is a bottom plan view thereof.

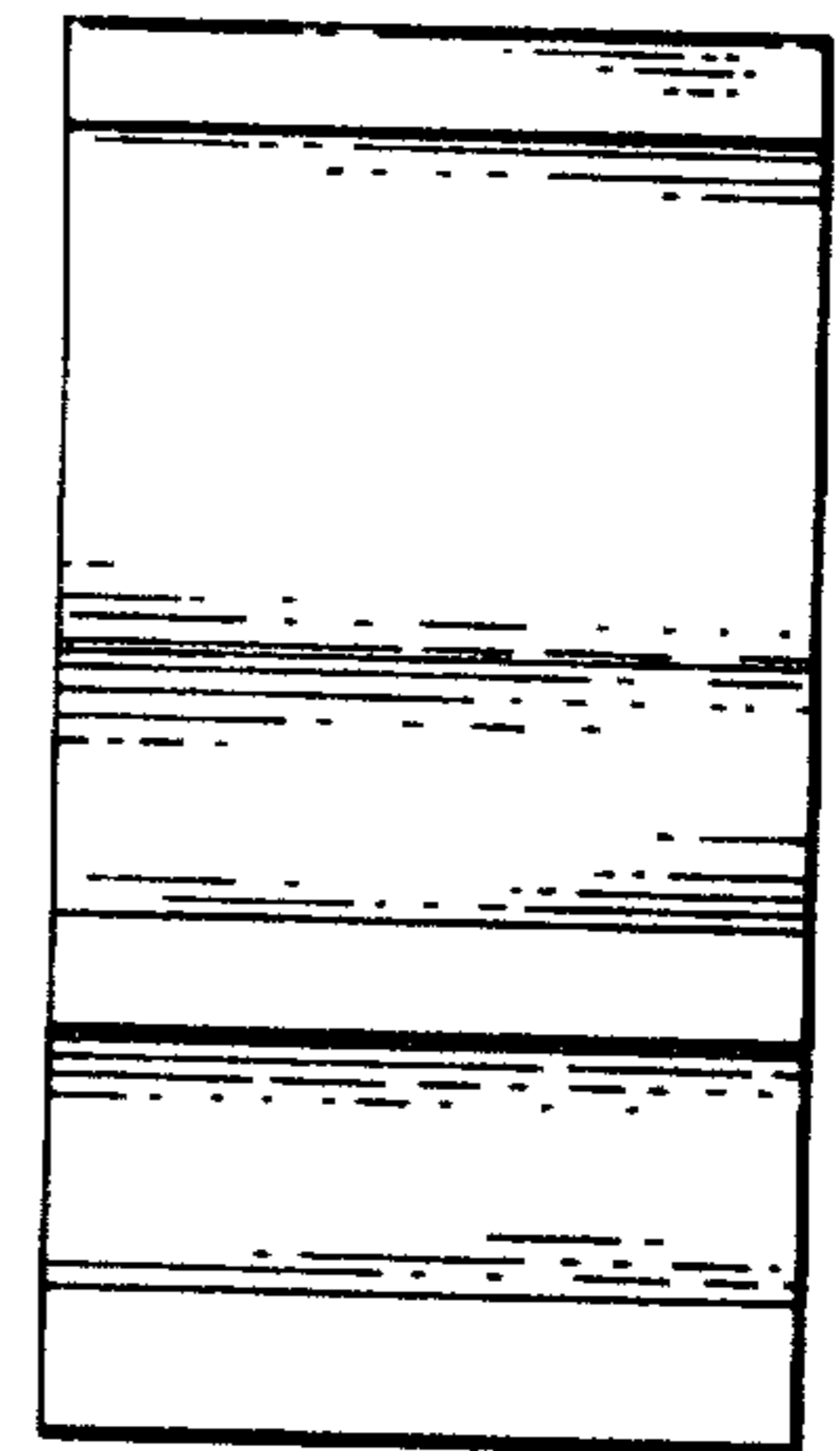




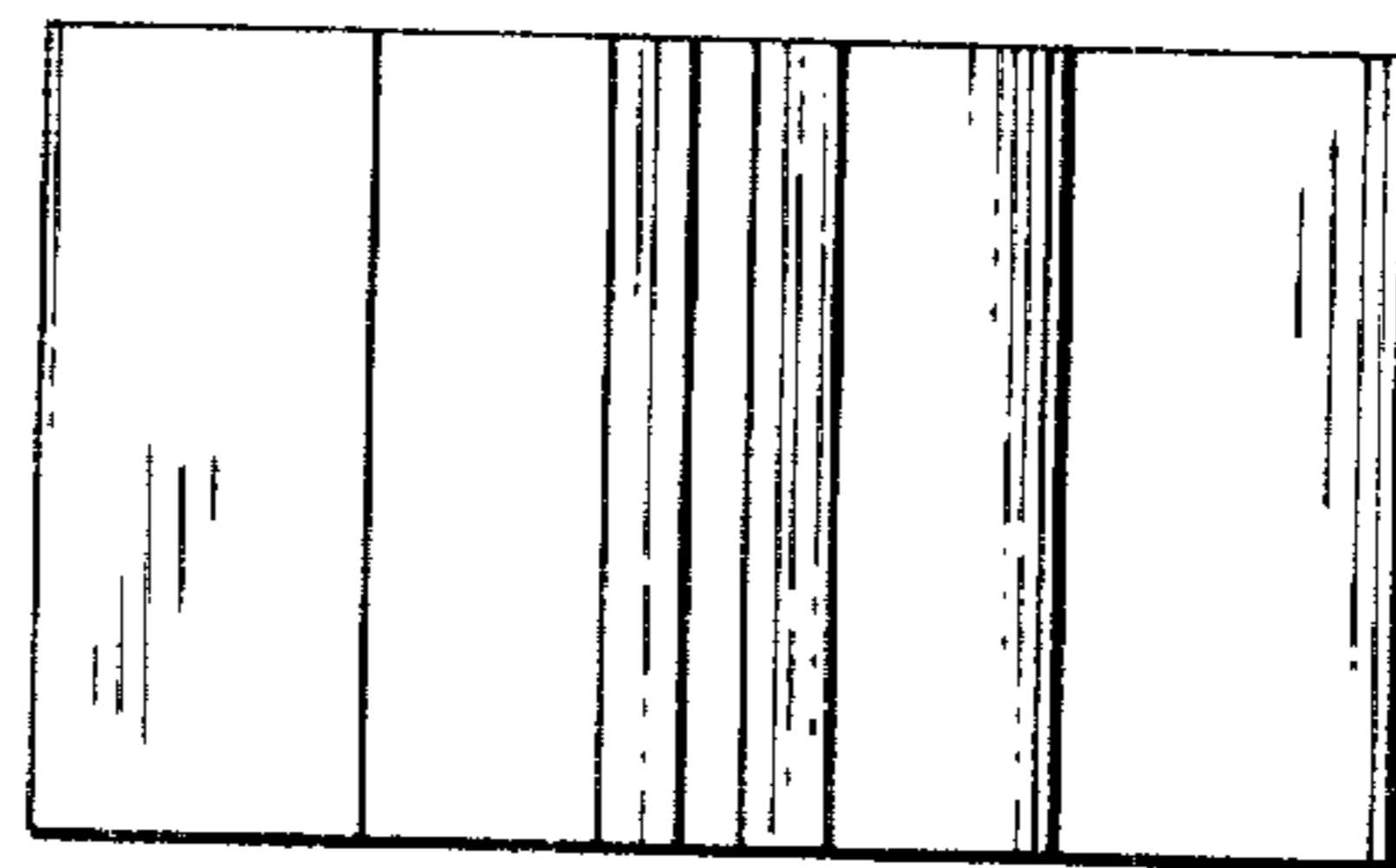
*Fig. 1.*



*Fig. 2.*

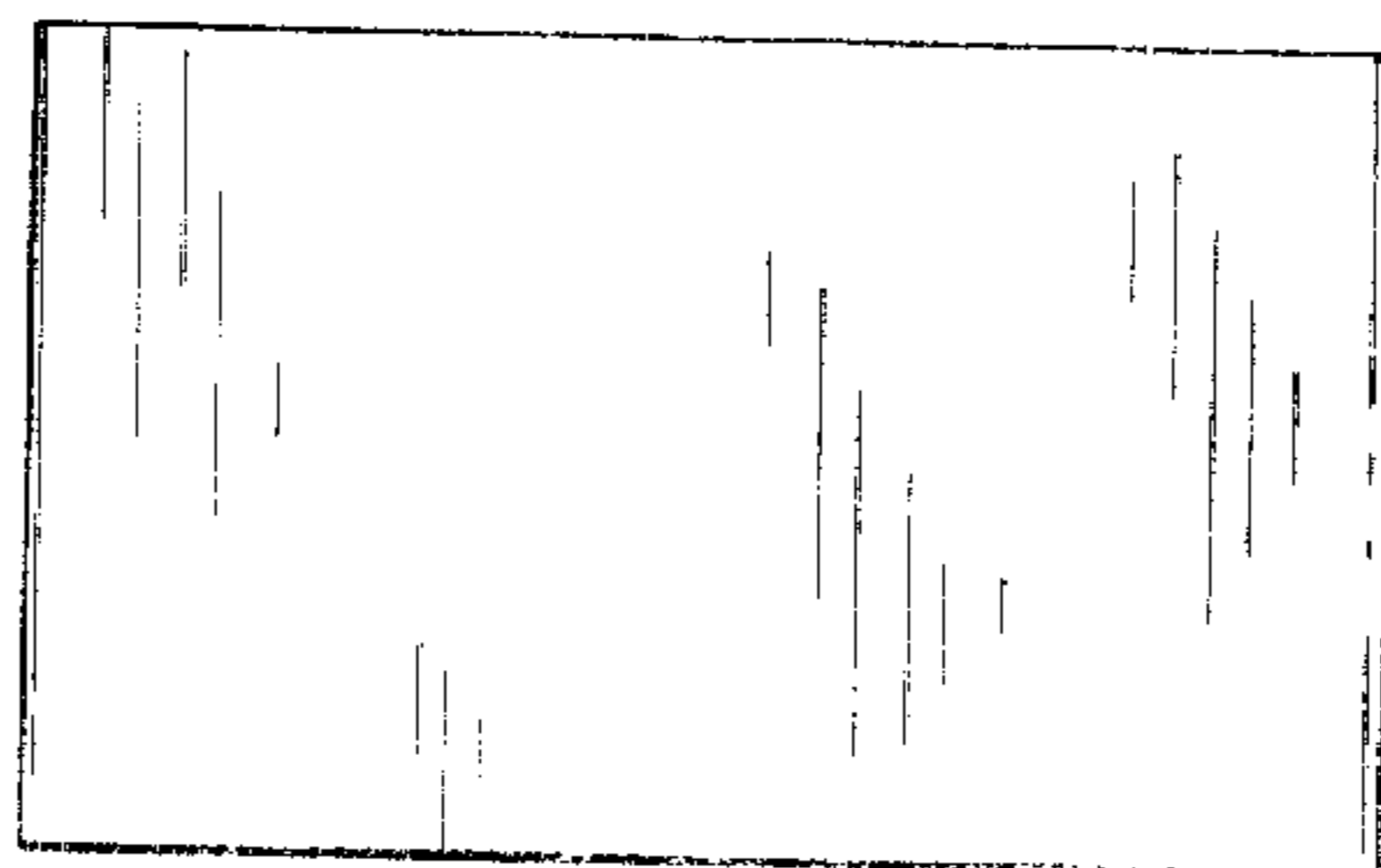


*Fig. 3.*



*Fig. 4.*

*Fig. 5.*



UNITED STATES PATENT AND TRADEMARK OFFICE  
**CERTIFICATE OF CORRECTION**

PATENT NO. : DES. 272,125

DATED : January 10, 1984

INVENTOR(S) : DAVID A. VAN DOREN

It is certified that error appears in the above—identified patent and that said Letters Patent is hereby corrected as shown below:

In the Description Figs. 1 and 3 should be changed to read as follows:

Fig. 1 is a perspective view of a combination rebar support and nailing block showing my new design;

Fig. 3 is a side elevational view thereof, both sides being identical;

**Signed and Sealed this**

*Tenth Day of July 1984*

[SEAL]

*Attest:*

**GERALD J. MOSSINGHOFF**

*Attesting Officer*

*Commissioner of Patents and Trademarks*