

[54] FURNITURE HINGE ARM

[75] Inventors: Erich Röck, Höchst; Klaus Brüstle, Lauterach, both of Austria

[73] Assignee: Julius Blum Gesellschaft m.b.H., Höchst, Austria

[**] Term: 14 Years

[21] Appl. No.: 299,526

[22] Filed: Sep. 4, 1981

[30] Foreign Application Priority Data

May 3, 1981 [AT] Austria 26.318/81
May 3, 1981 [AT] Austria 26.324/81

[51] Int. Cl. D8-06

[52] U.S. Cl. D8/323; D6/194

[58] Field of Search D6/191, 194; D8/323, D8/324, 325, 326, 327, 328

[56] References Cited

U.S. PATENT DOCUMENTS

D. 26,244	11/1896	Taber	D6/198
D. 233,730	11/1974	Burton et al.	D8/323
D. 240,392	7/1976	Gorton et al.	D8/323
D. 258,562	3/1981	DeStepheno	D8/323
D. 268,314	3/1983	Smith	D6/191

Primary Examiner—Bruce W. Dunkins
Attorney, Agent, or Firm—Wenderoth, Lind & Ponack

[57] CLAIM

The ornamental design for a furniture hinge arm, substantially as shown and described.

DESCRIPTION

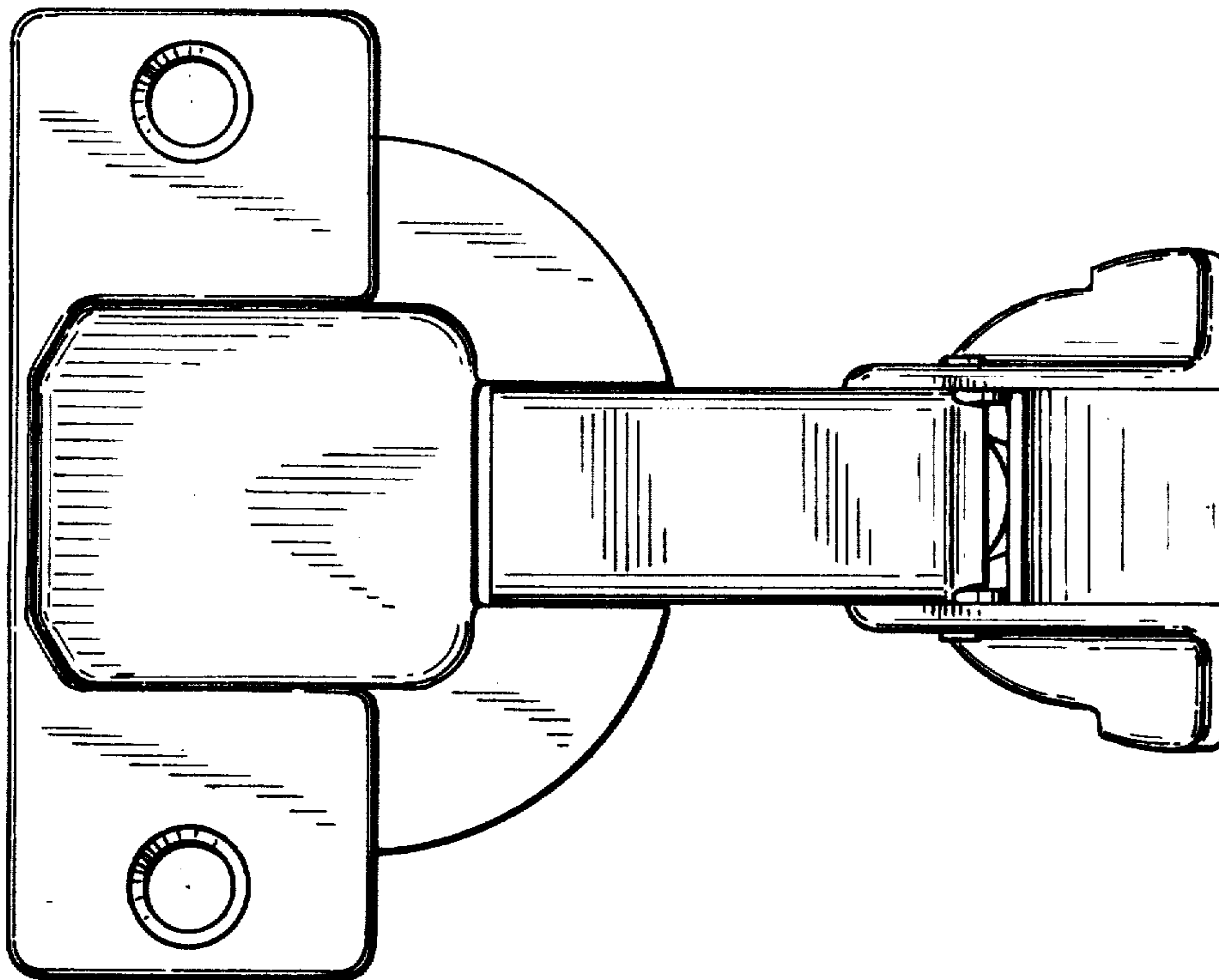
FIG. 1 is a top plan view of the furniture hinge arm of our new design;

FIG. 2 is a bottom plan view thereof;

FIG. 3 is an end view thereof, as viewed from the right of FIG. 1;

FIG. 4 is an end view thereof, as viewed from the left for FIG. 1; and

FIG. 5 is a side elevation view thereof, the opposite side being a mirror image.



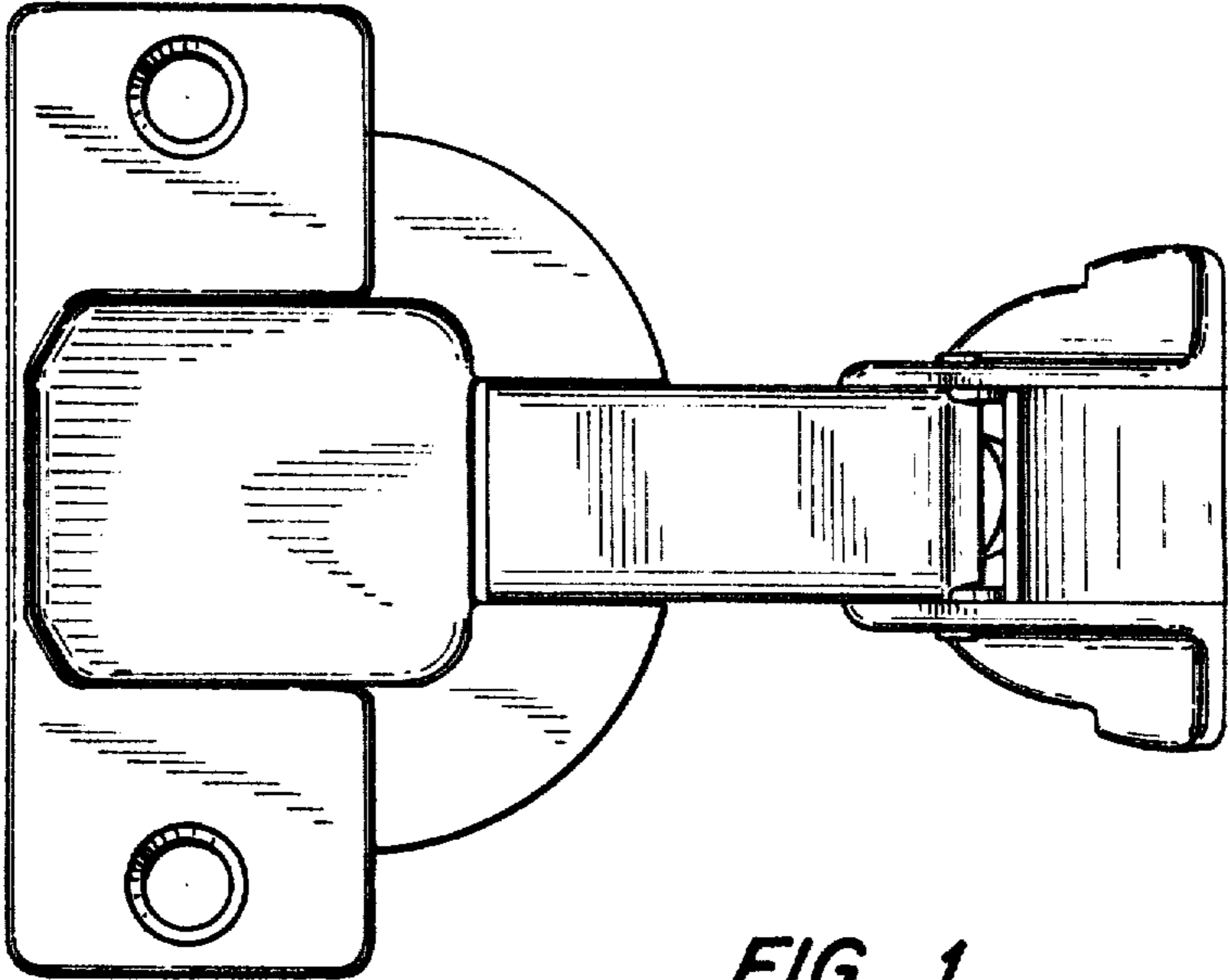


FIG. 1

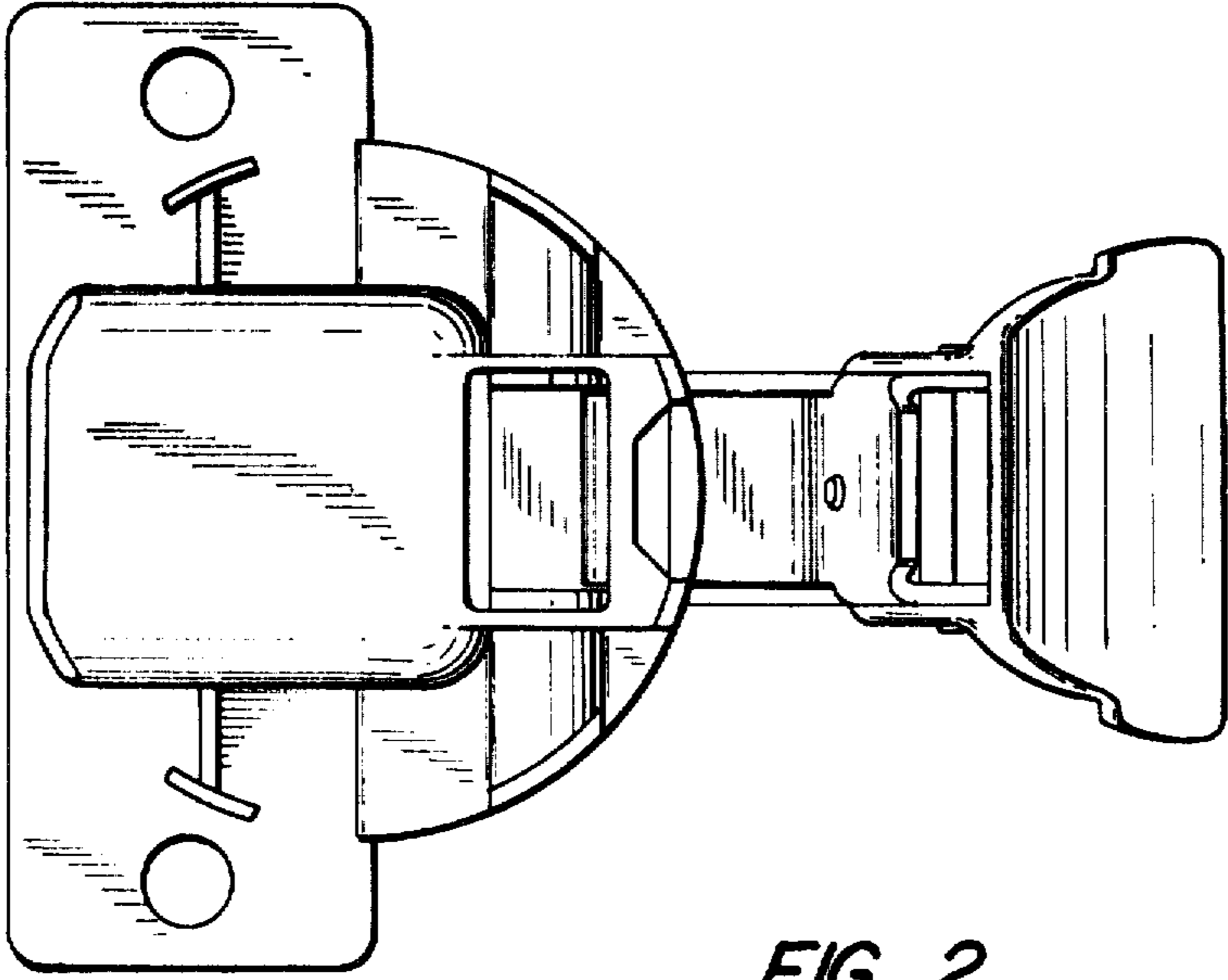


FIG. 2

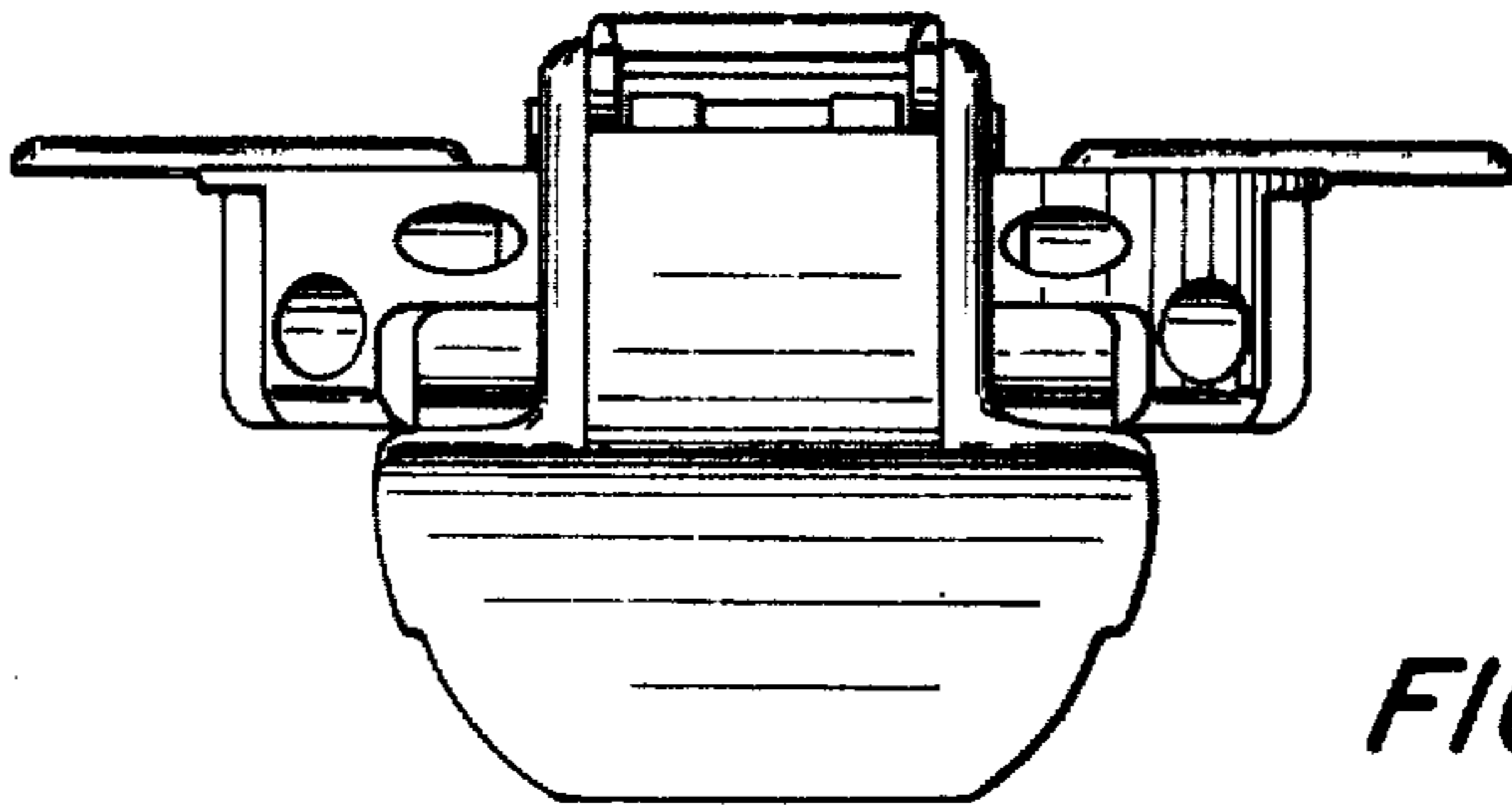


FIG. 3

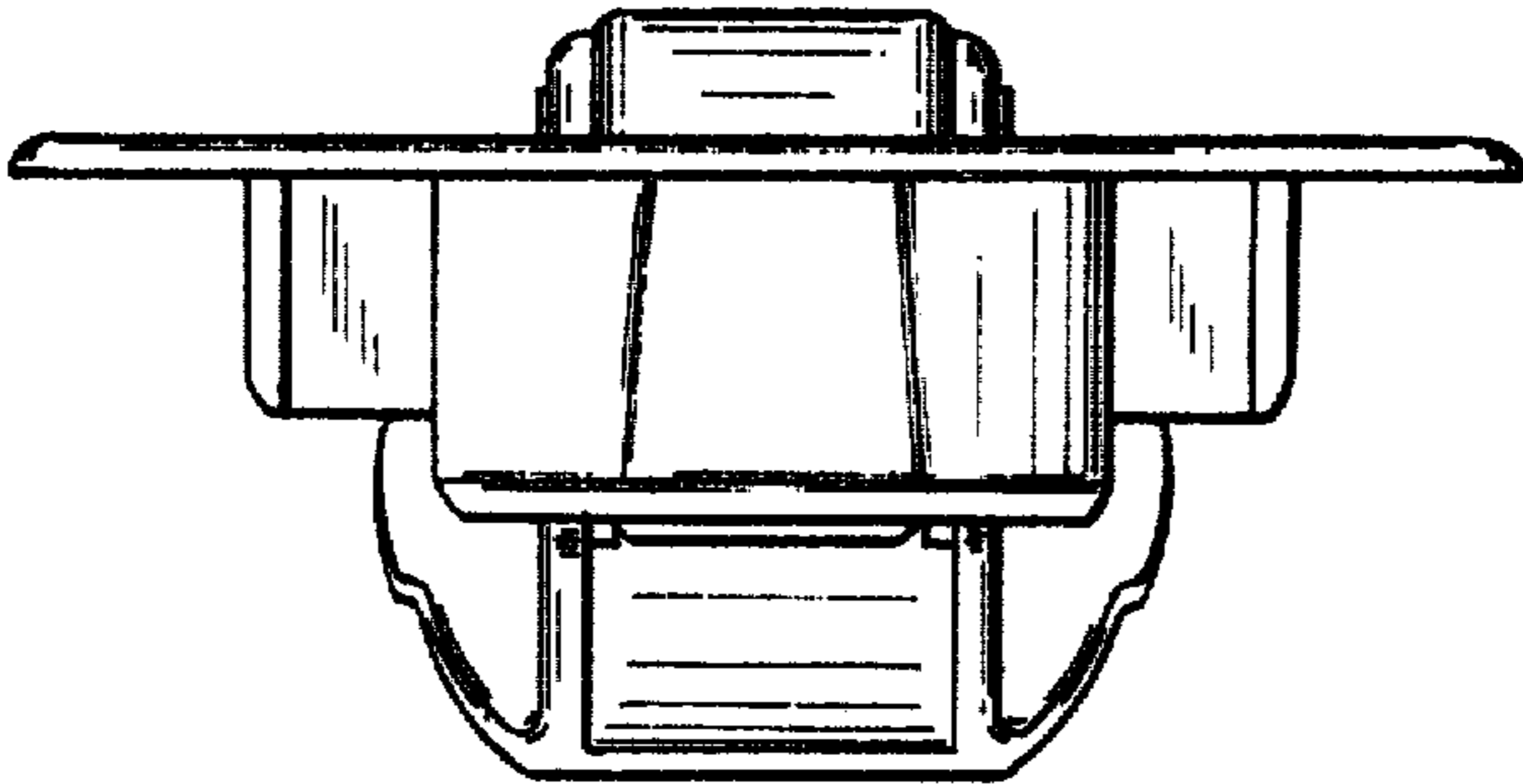


FIG. 4

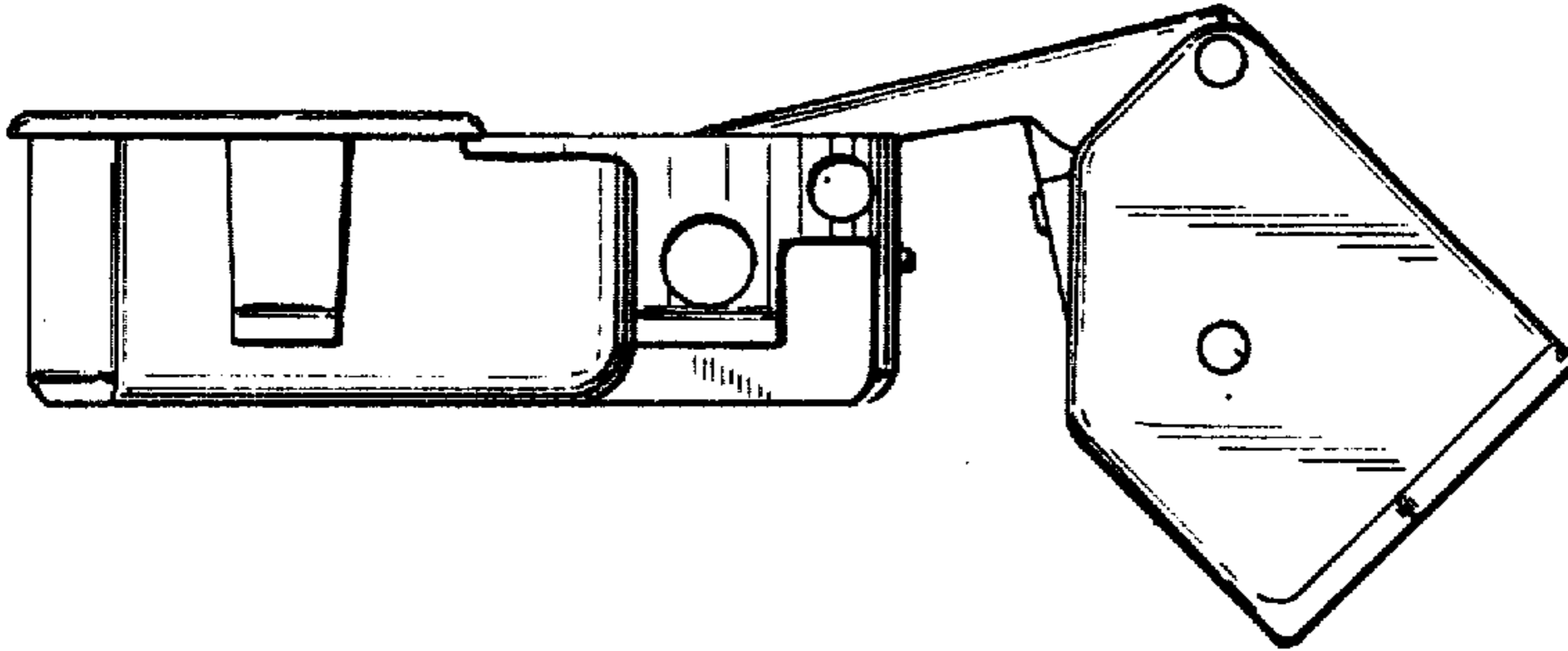


FIG. 5