

[54] **FOOT OPERATED VICE**

[75] Inventors: **Masahiko Nakamura, Matsuzaka; Takashi Yokoyama, Mie, both of Japan**

[73] Assignee: **Kabushiki Kaisha Matsuzaka Tekkosho, Mie, Japan**

[**] Term: **14 Years**

[21] Appl. No.: **218,014**

[22] Filed: **Dec. 18, 1980**

[30] **Foreign Application Priority Data**

Jun. 27, 1980 [JP]	Japan	55-25901
Jun. 27, 1980 [JP]	Japan	55-25902
Nov. 28, 1980 [JP]	Japan	55-49884

[51] Int. Cl. **D8-08**

[52] U.S. Cl. **D8/71; D8/74**

[58] Field of Search 269/254 R, 254 CS, 231, 269/235, 236, 229; D8/74; 81/97-99, 180 R

[56] **References Cited**

U.S. PATENT DOCUMENTS

D. 245,753	9/1977	D'Atri	D8/72
2,559,974	7/1951	Kunz	81/99
2,623,428	12/1952	Larson	81/99
2,639,638	5/1953	Gould	81/180 R
2,649,824	8/1953	Maxwell	81/99
2,713,280	7/1955	Larson	81/99
2,998,789	9/1961	Schaufelberger et al. ...	269/254 CS
3,418,873	12/1968	Moriwaki	81/99
4,294,444	10/1981	Horton	269/229

OTHER PUBLICATIONS

Reed Manufacturing Co. Ad., Industrial Equipment News, Oct. 1962, p. 92.

Primary Examiner—Wallace R. Burke

Assistant Examiner—Horace B. Fay, Jr.

Attorney, Agent, or Firm—Wenderoth, Lind & Ponack

[57] **CLAIM**

The ornamental design for foot operated vice, substantially as shown.

DESCRIPTION

FIG. 1 is a side elevation view of the foot operated vice of the present design;

FIG. 2 is a side elevation view thereof, from the opposite side of FIG. 1;

FIG. 3 is an end view from the left side of FIG. 1 thereof;

FIG. 4 is an end view from the right side of FIG. 1 thereof;

FIG. 5 is a plan view thereof;

FIG. 6 is a bottom view thereof;

FIG. 7 is a section taken along line VII—VII of FIG. 1;

FIG. 8 is a section taken along line VIII—VIII of FIG. 5;

FIG. 9 is a view similar to FIG. 1, but showing the vice in the operative position thereof engaging an article;

FIG. 10 is a side elevation view of a further embodiment of the foot operated vice of the present design;

FIG. 11 is a side elevation view thereof from the opposite side of FIG. 10;

FIG. 12 is an end view thereof, taken from the left side of FIG. 10;

FIG. 13 is an end view thereof, taken from the right side of FIG. 10;

FIG. 14 is a plan view thereof;

FIG. 15 is a bottom view thereof;

FIG. 16 is a section taken along line XVI—XVI of FIG. 10;

FIG. 17 is a section taken along line XVII—XVII of FIG. 14;

FIG. 18 is a view similar to FIG. 10, but showing the vice in the operative position thereof engaging an article;

FIG. 19 is a side elevation view of a still further embodiment of the foot operated vice of the present design;

FIG. 20 is a side elevation view thereof from the opposite side of FIG. 19;

FIG. 21 is an end view thereof, taken from the left side of FIG. 19;

FIG. 22 is an end view thereof, taken from the right side of FIG. 19;

FIG. 23 is a plan view thereof;

FIG. 24 is a bottom view thereof;

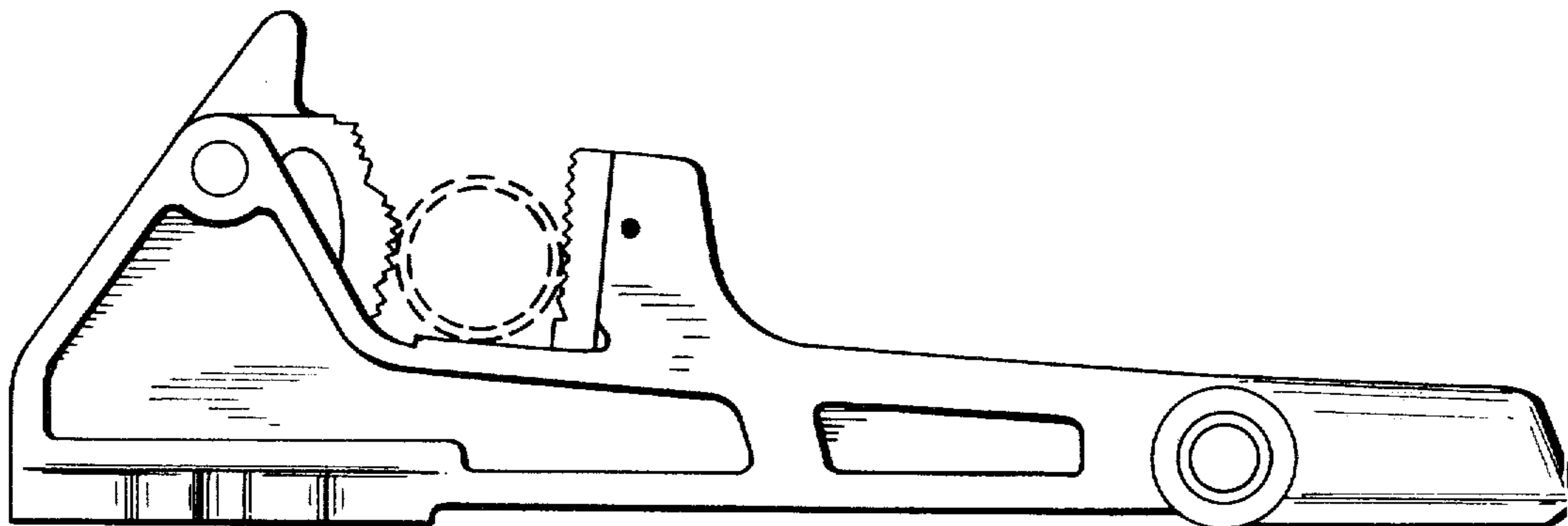
FIG. 25 is a section taken along line XXI—XXI of FIG. 19;

FIG. 26 is upper portion of a section taken along line XXII—XXII of FIG. 19;

FIG. 27 is a section taken along line XXIII—XXIII of FIG. 19;

FIG. 28 is a section taken along line XXIV—XXIV of FIG. 23; and

FIG. 29 is a view similar to FIG. 19, but showing the vice in the operative position thereof engaging an article.



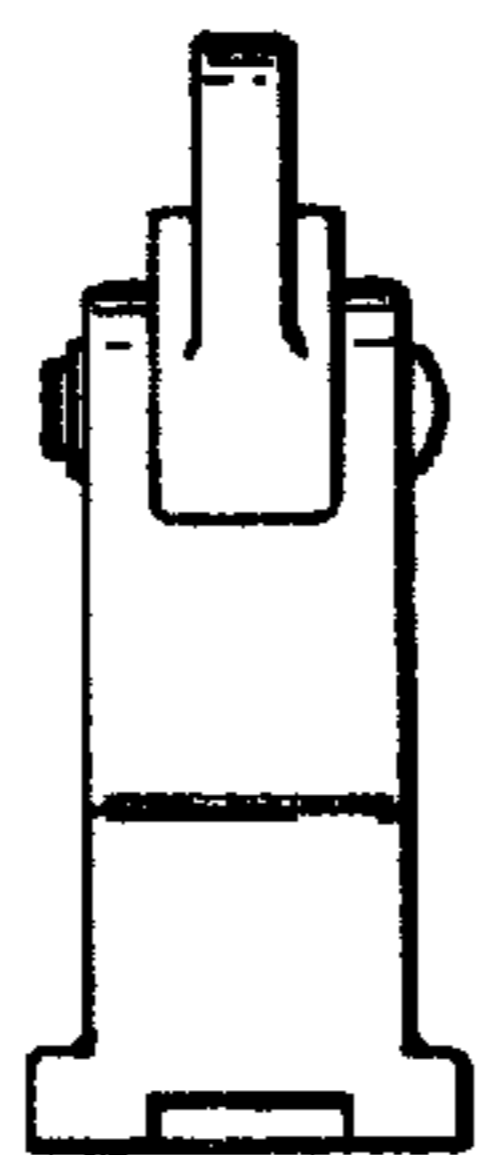
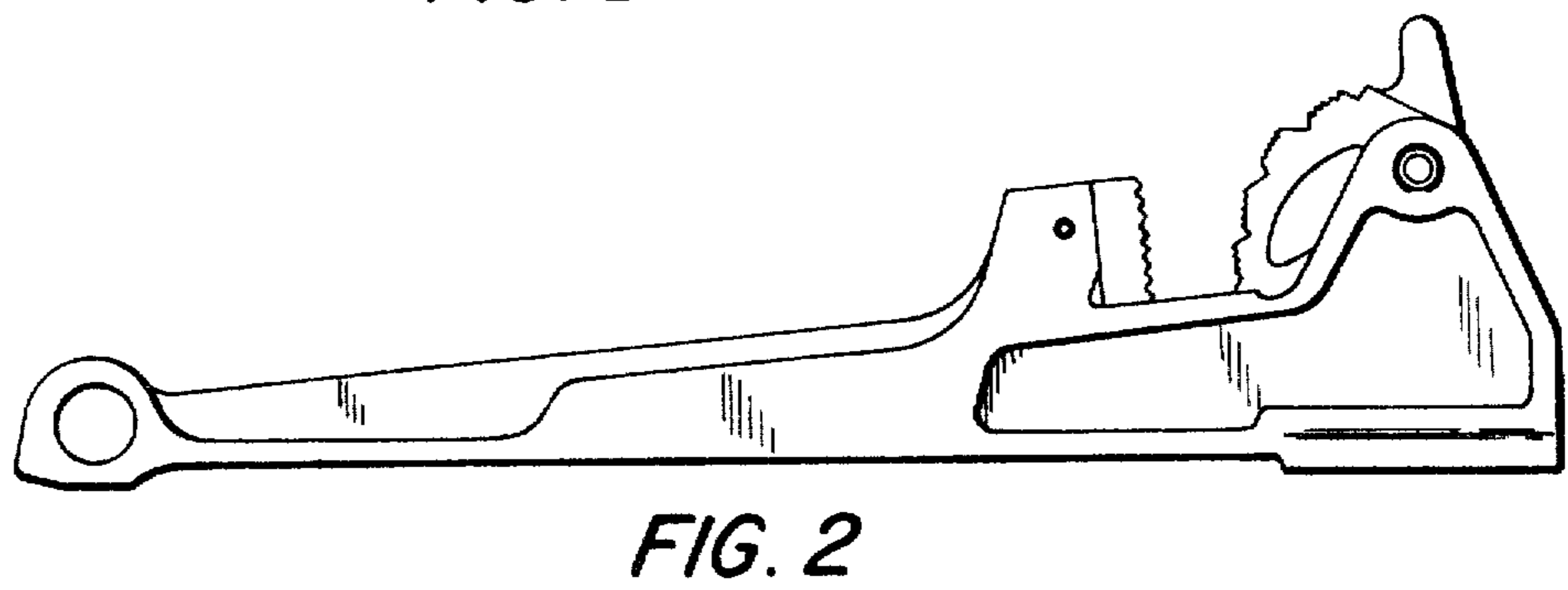
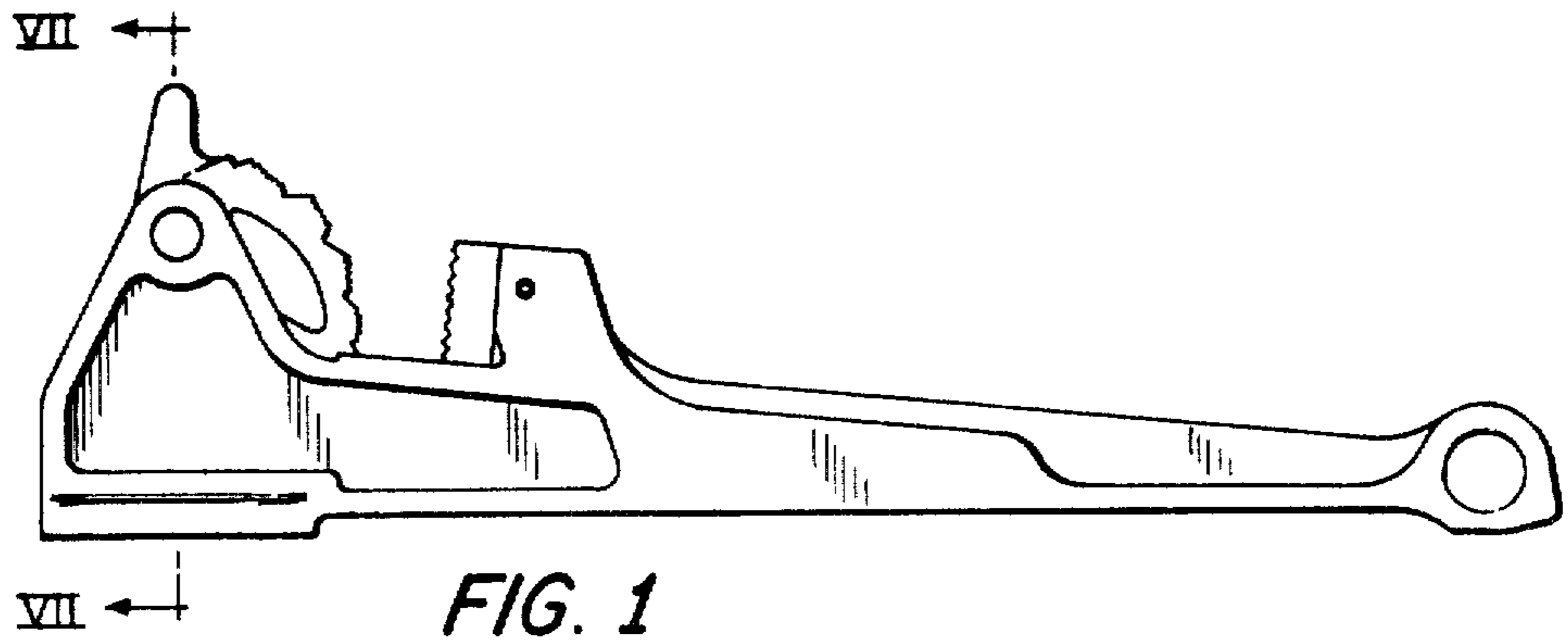


FIG. 3

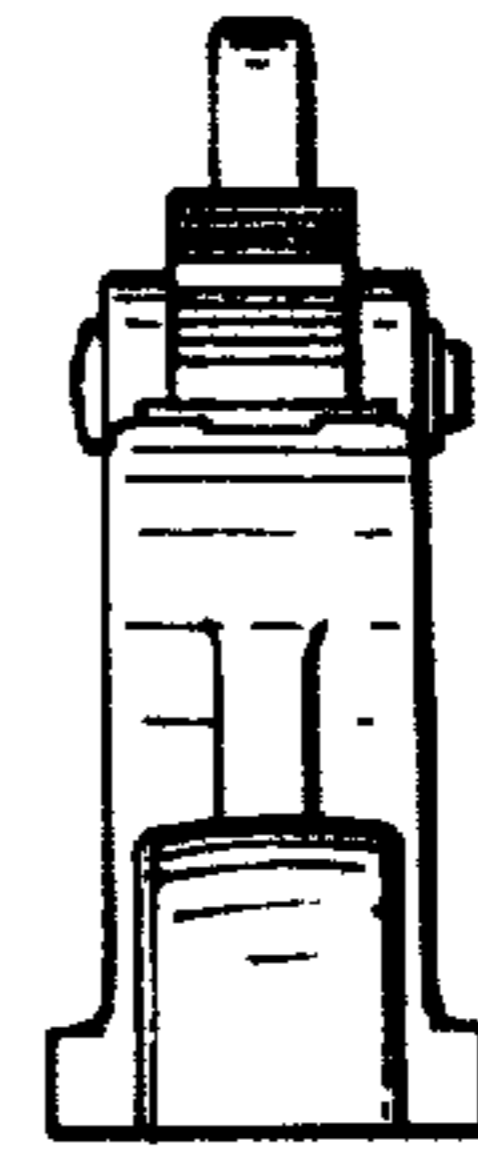
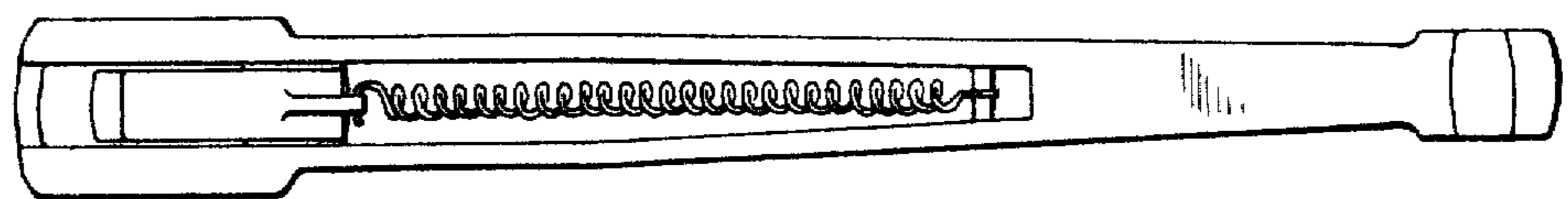
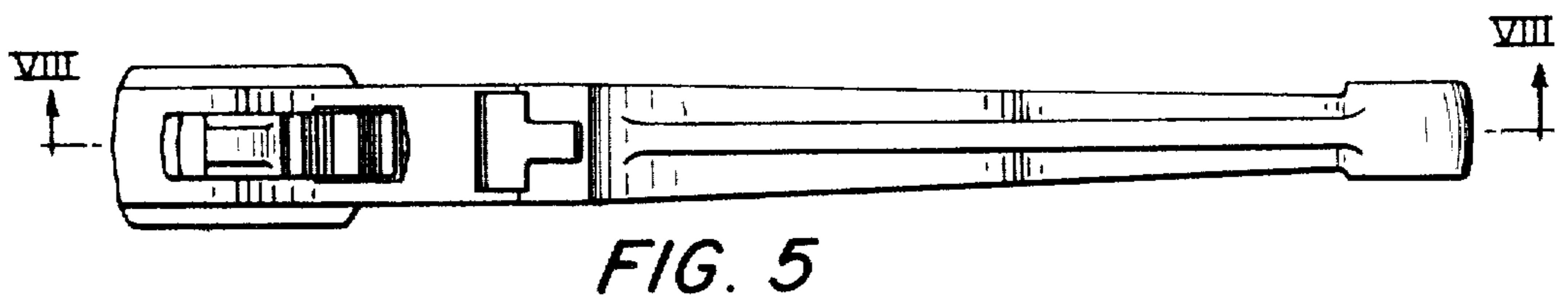


FIG. 4



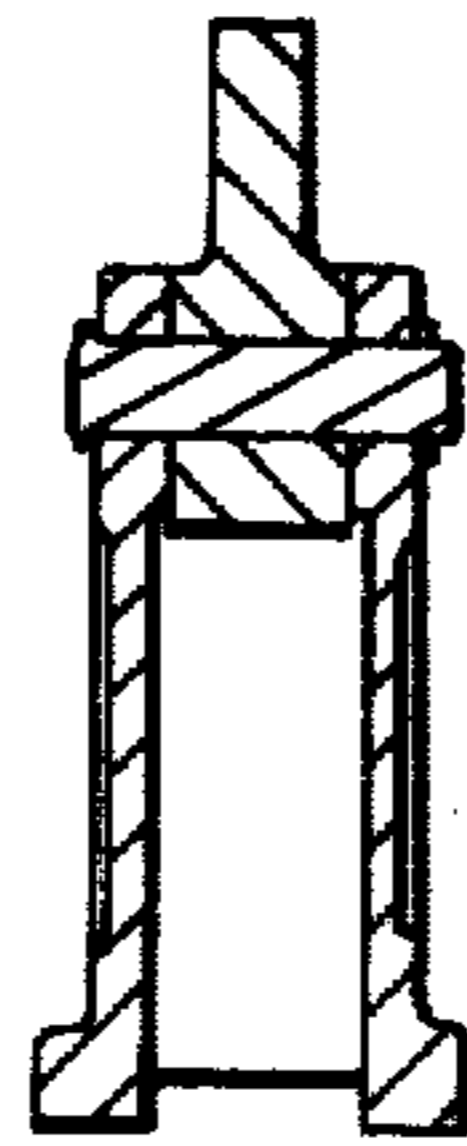


FIG. 7

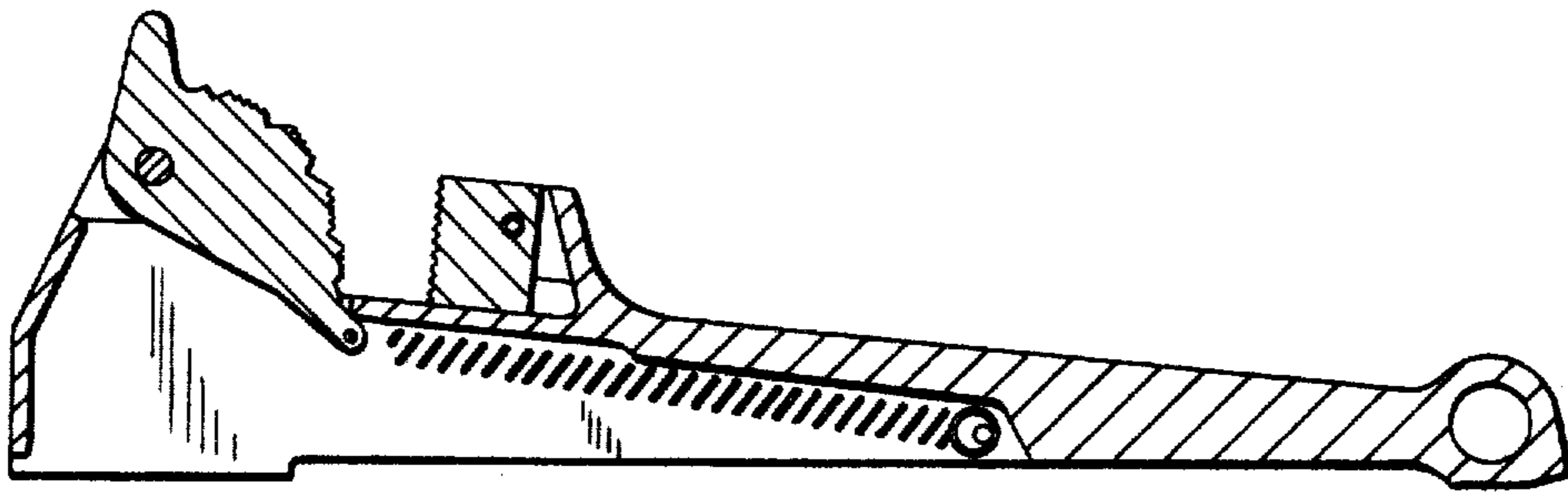


FIG. 8

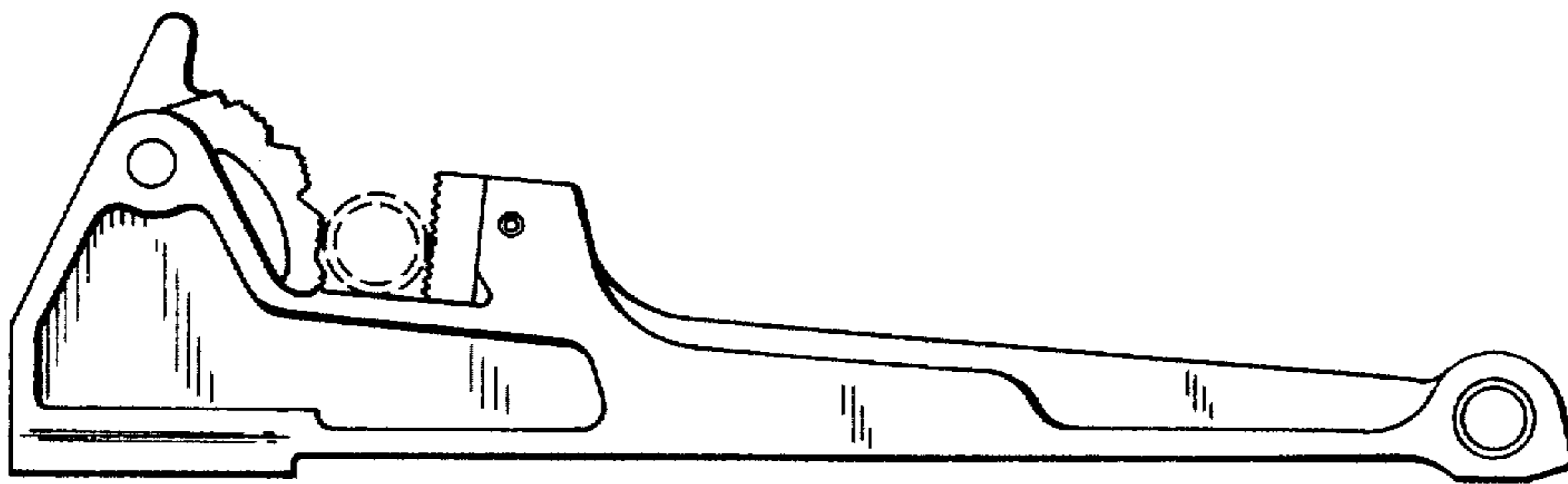


FIG. 9

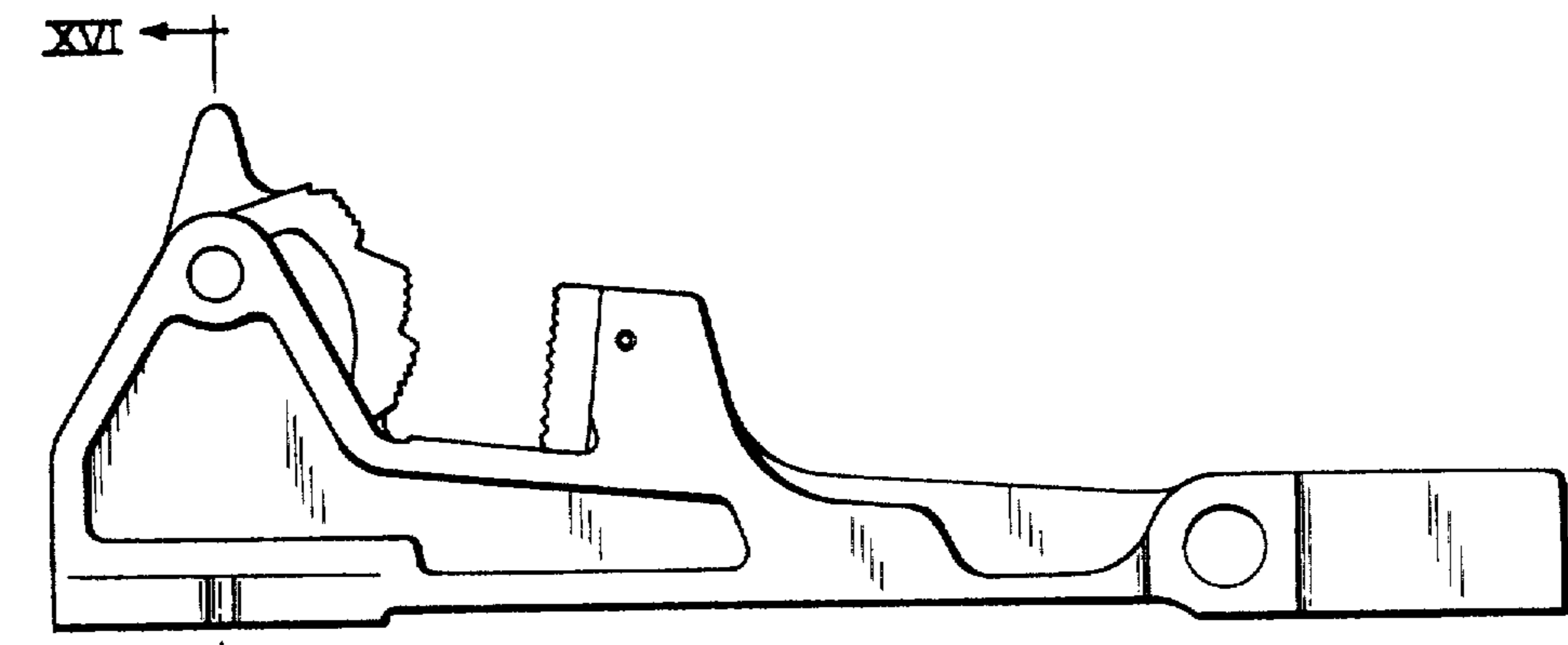


FIG. 10

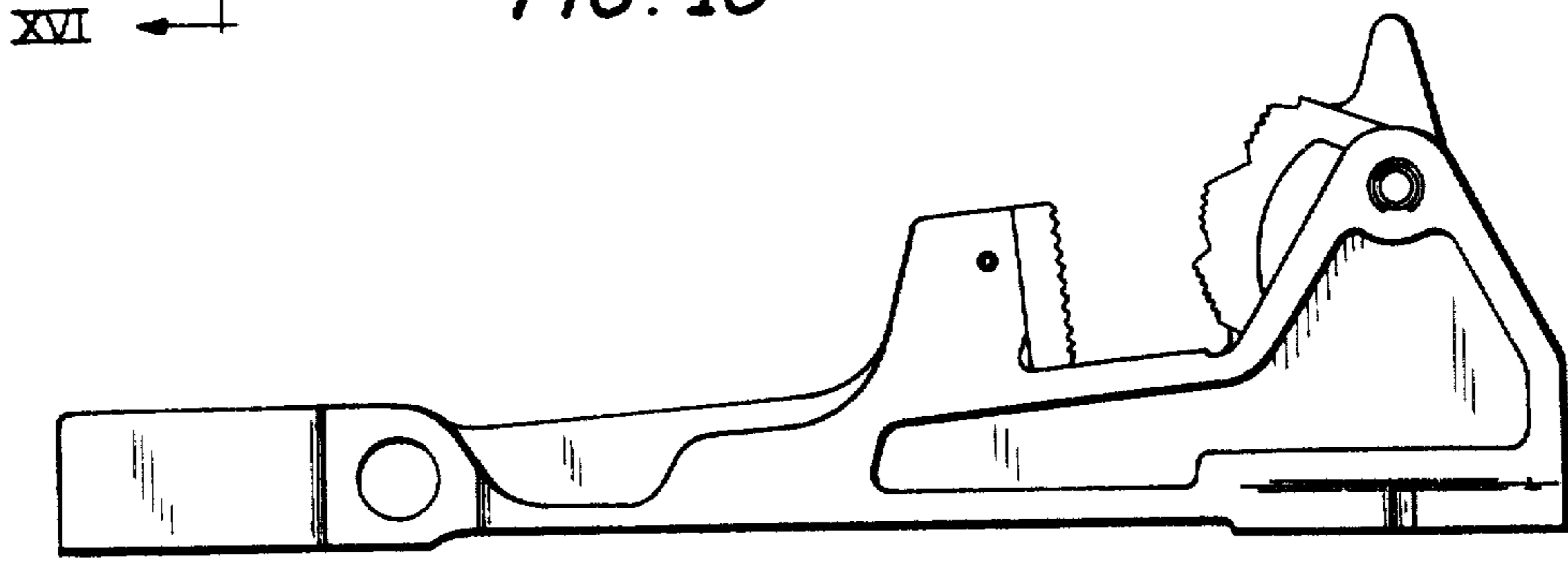


FIG. 11

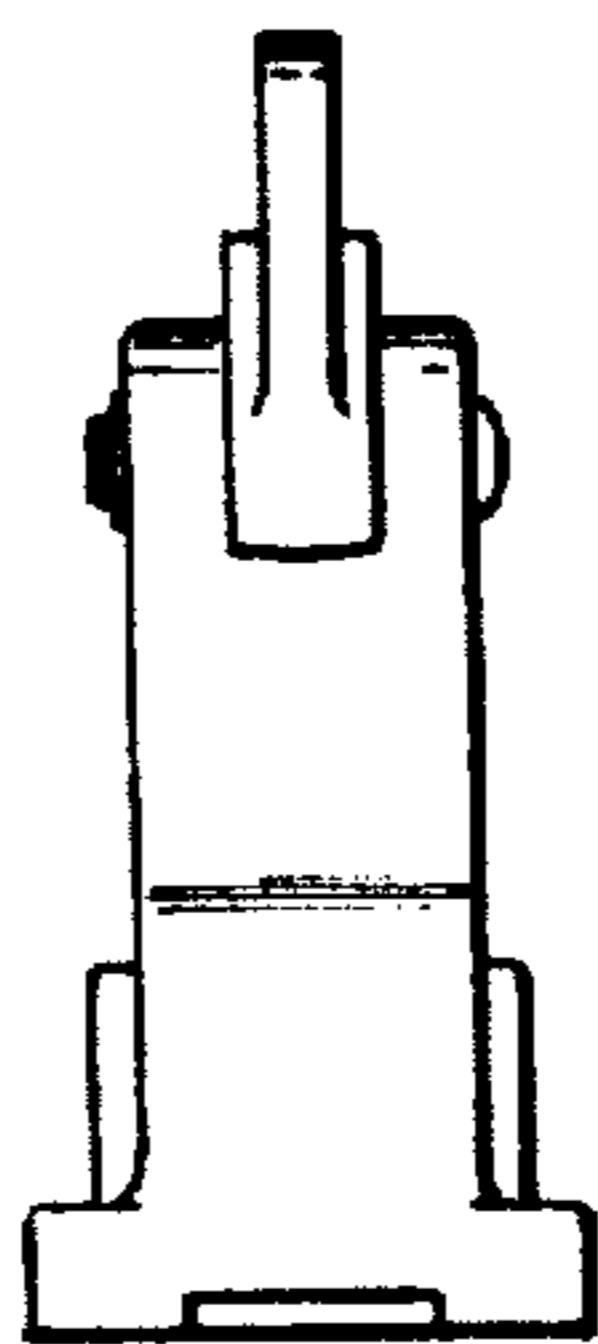


FIG. 12

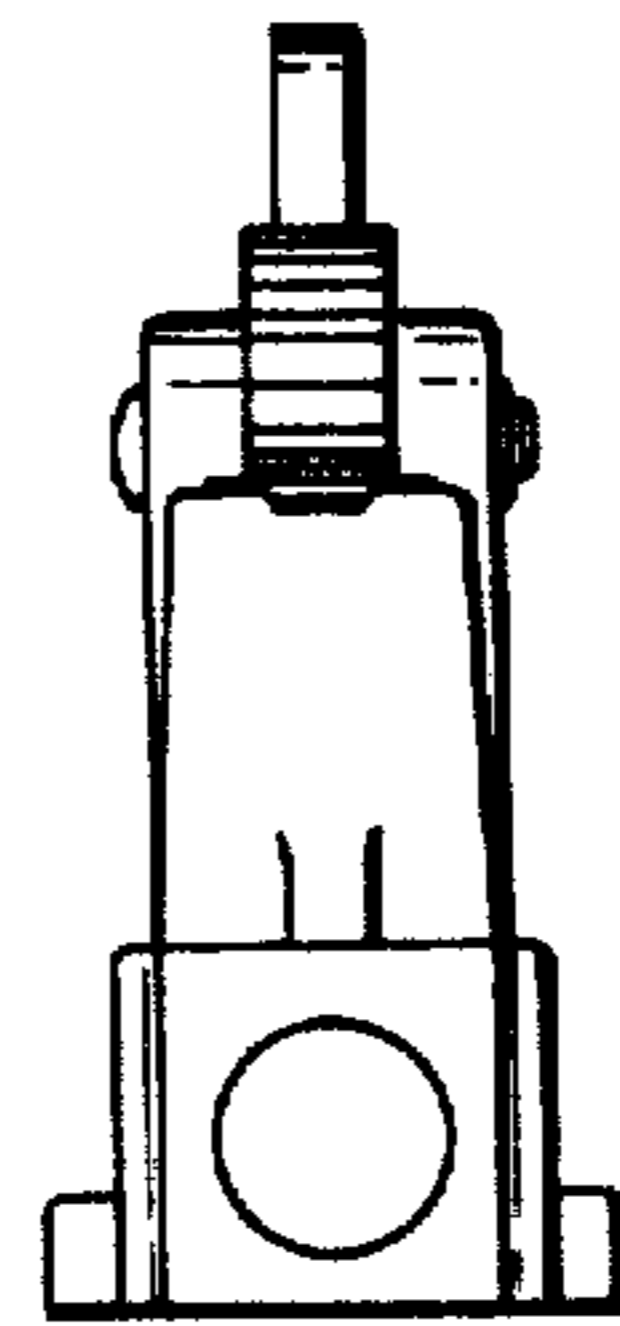


FIG. 13

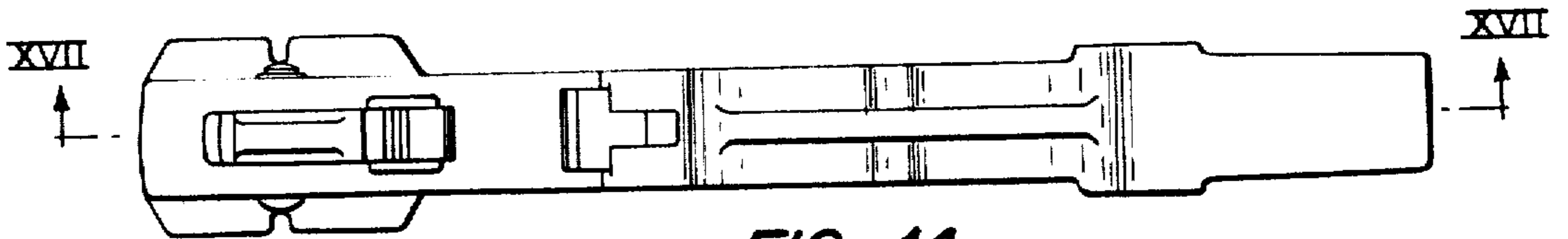


FIG. 14

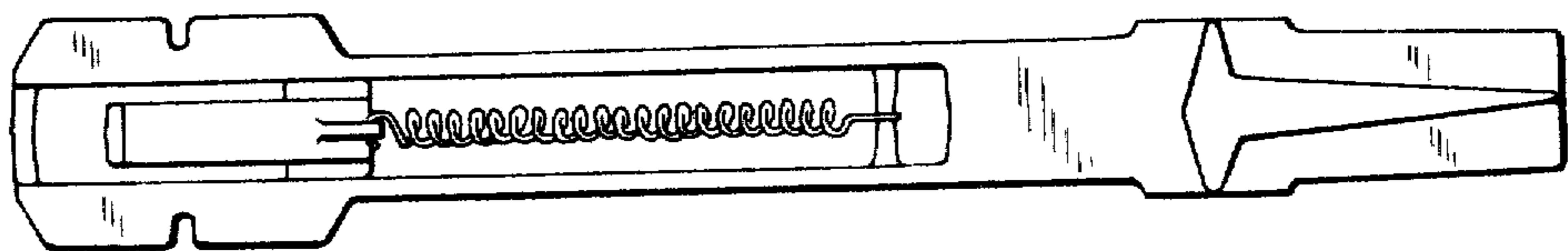


FIG. 15

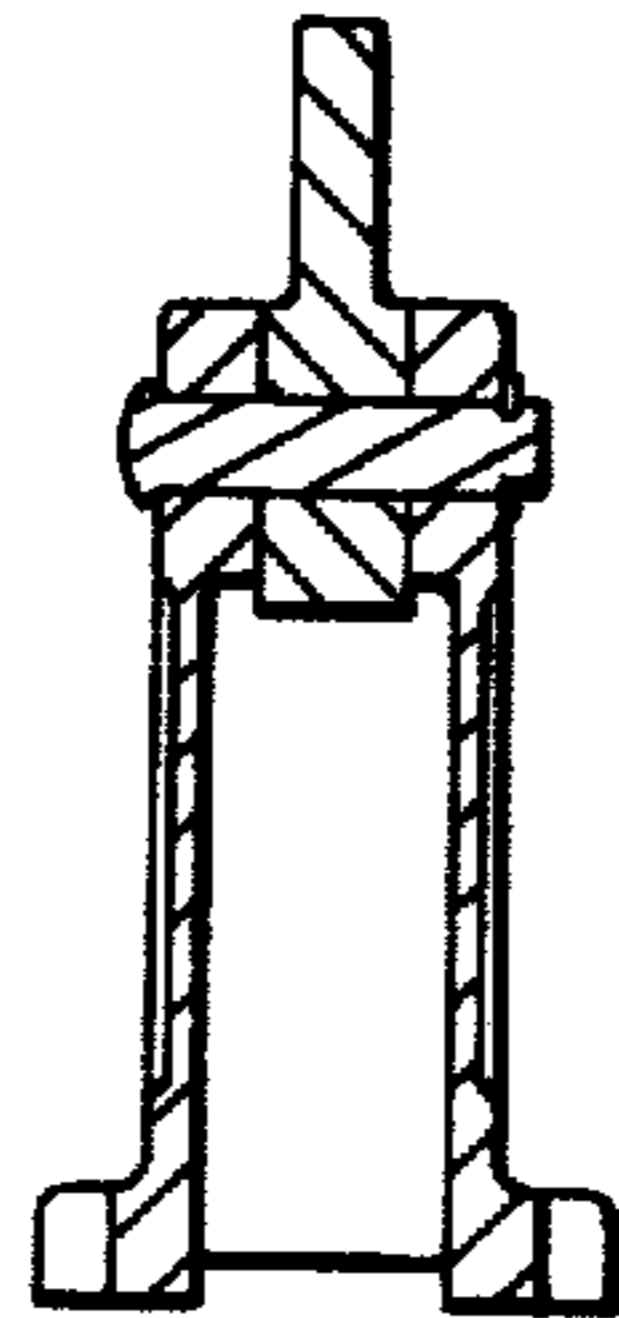


FIG. 16

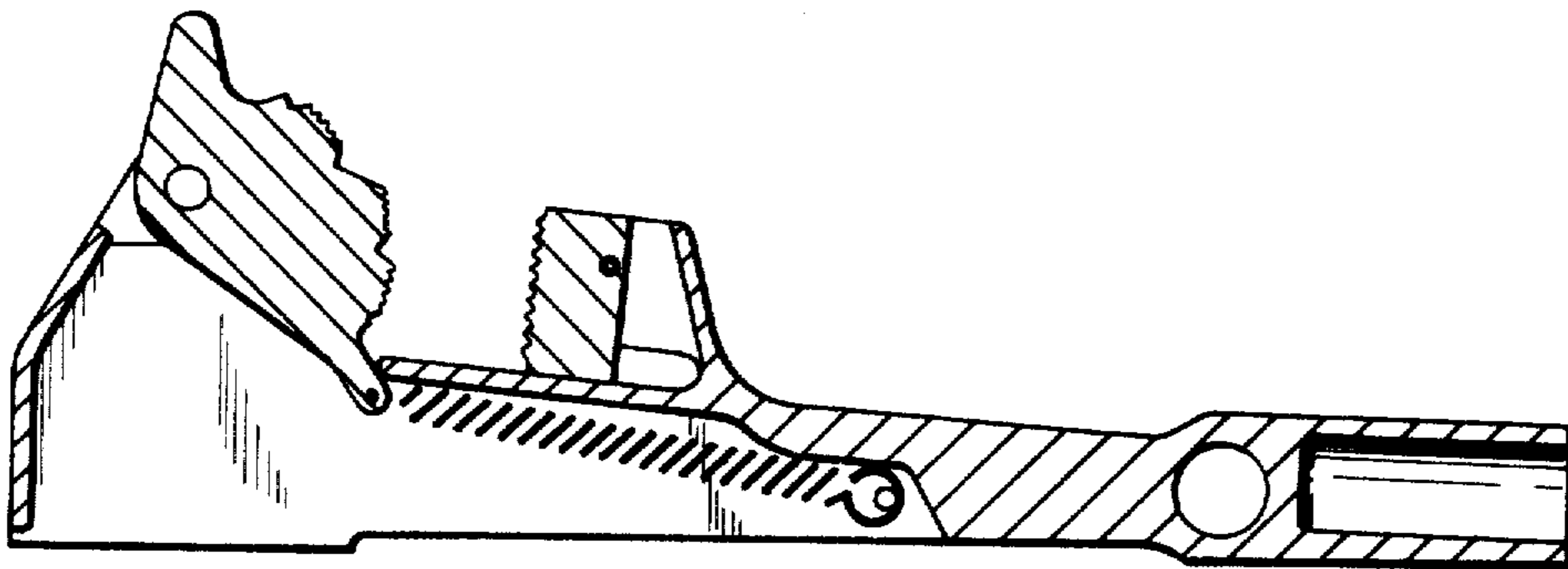


FIG. 17

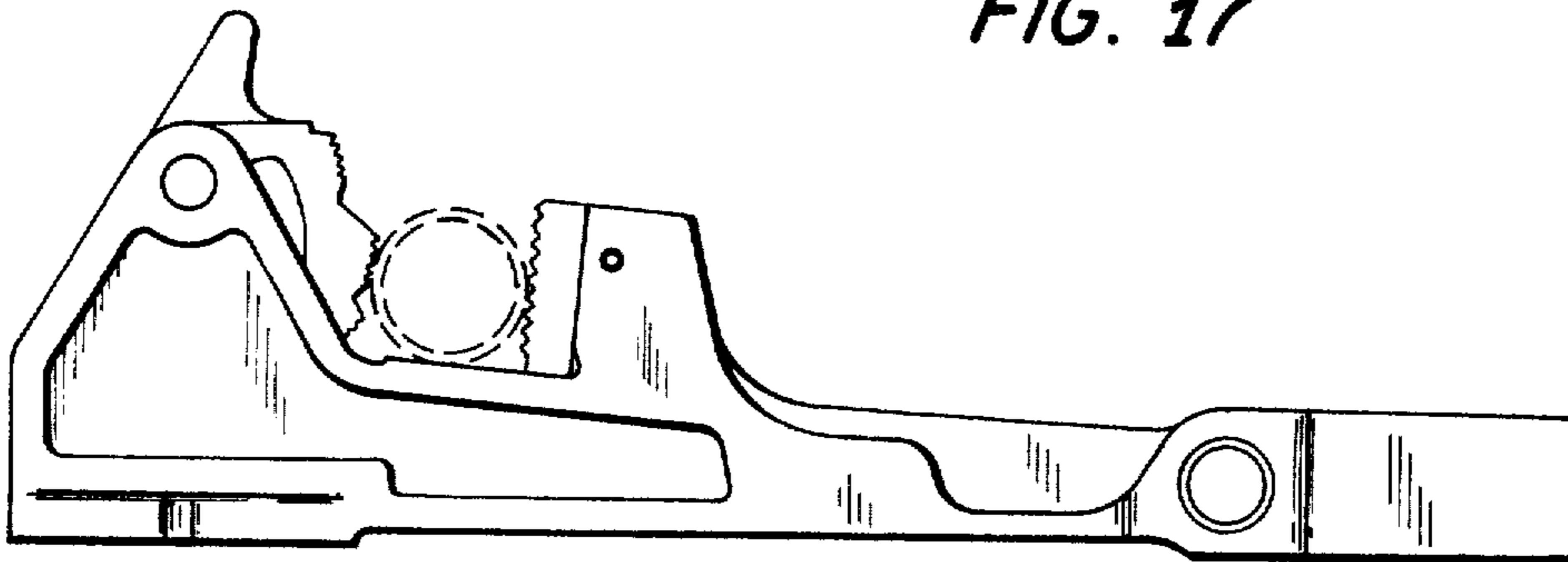


FIG. 18

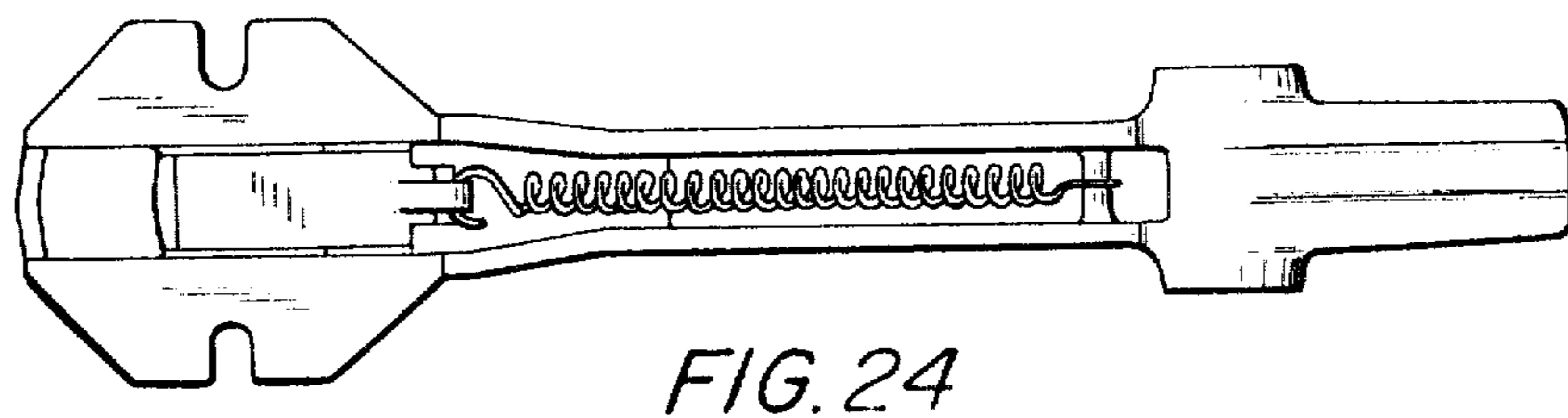
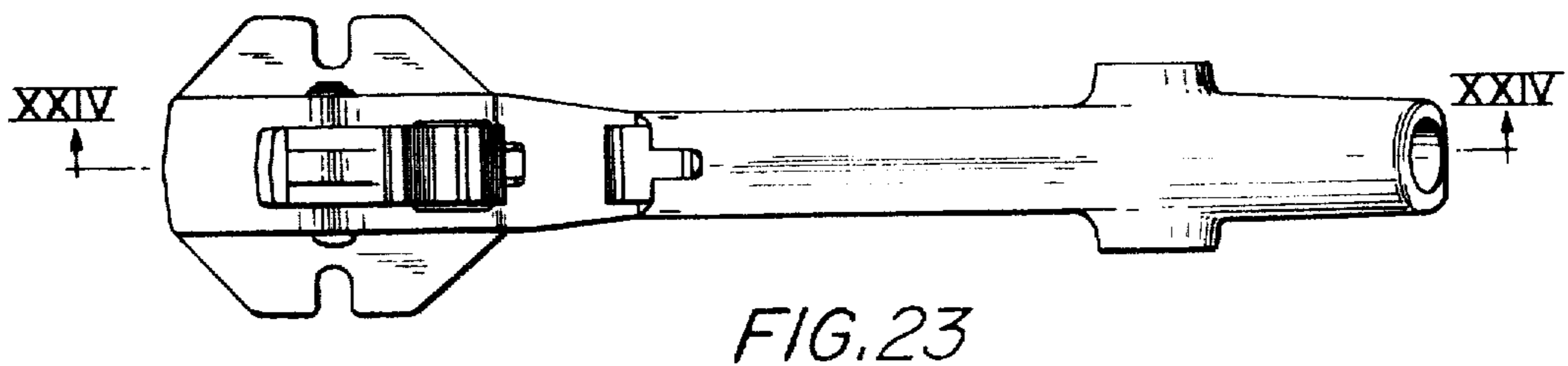
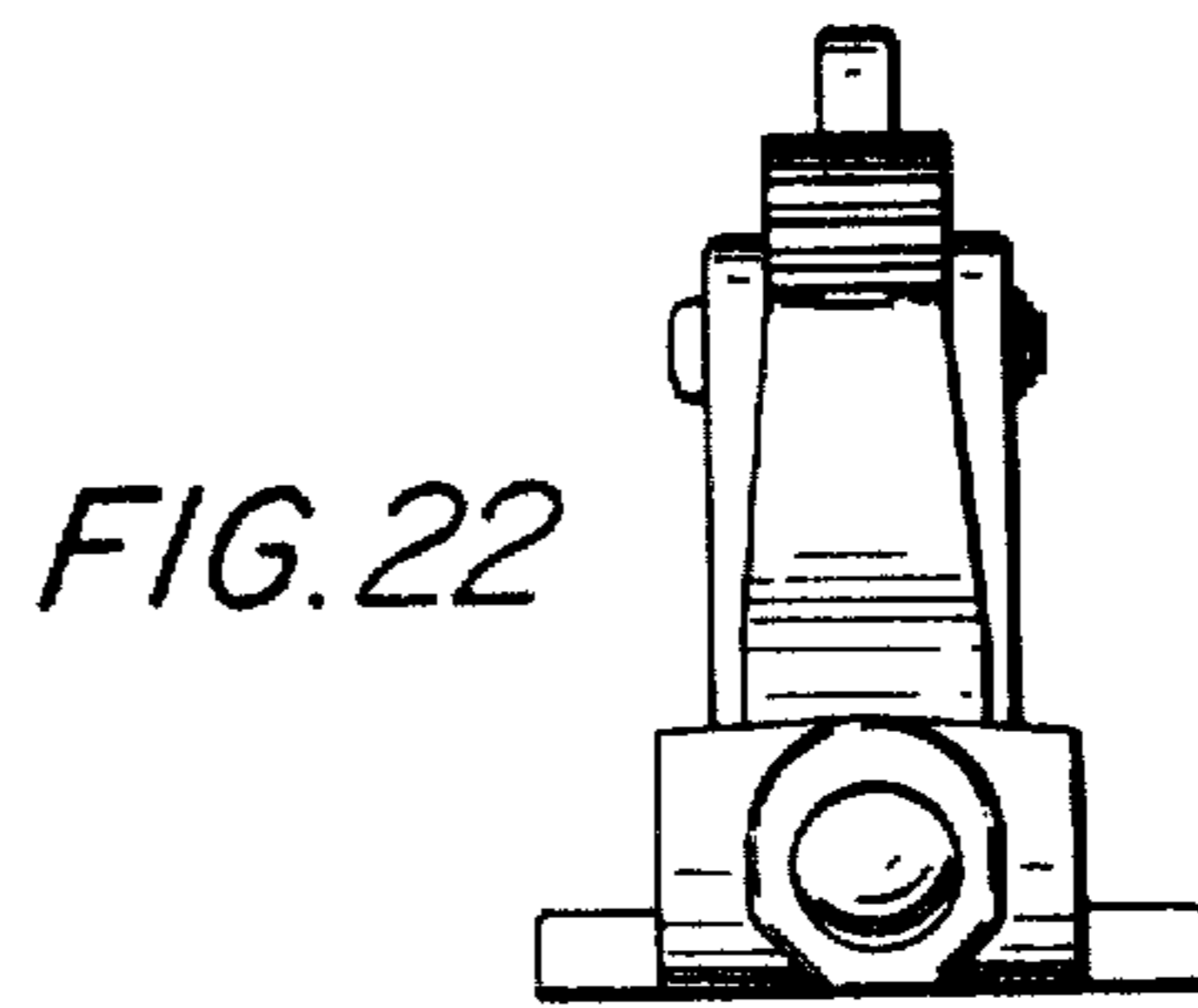
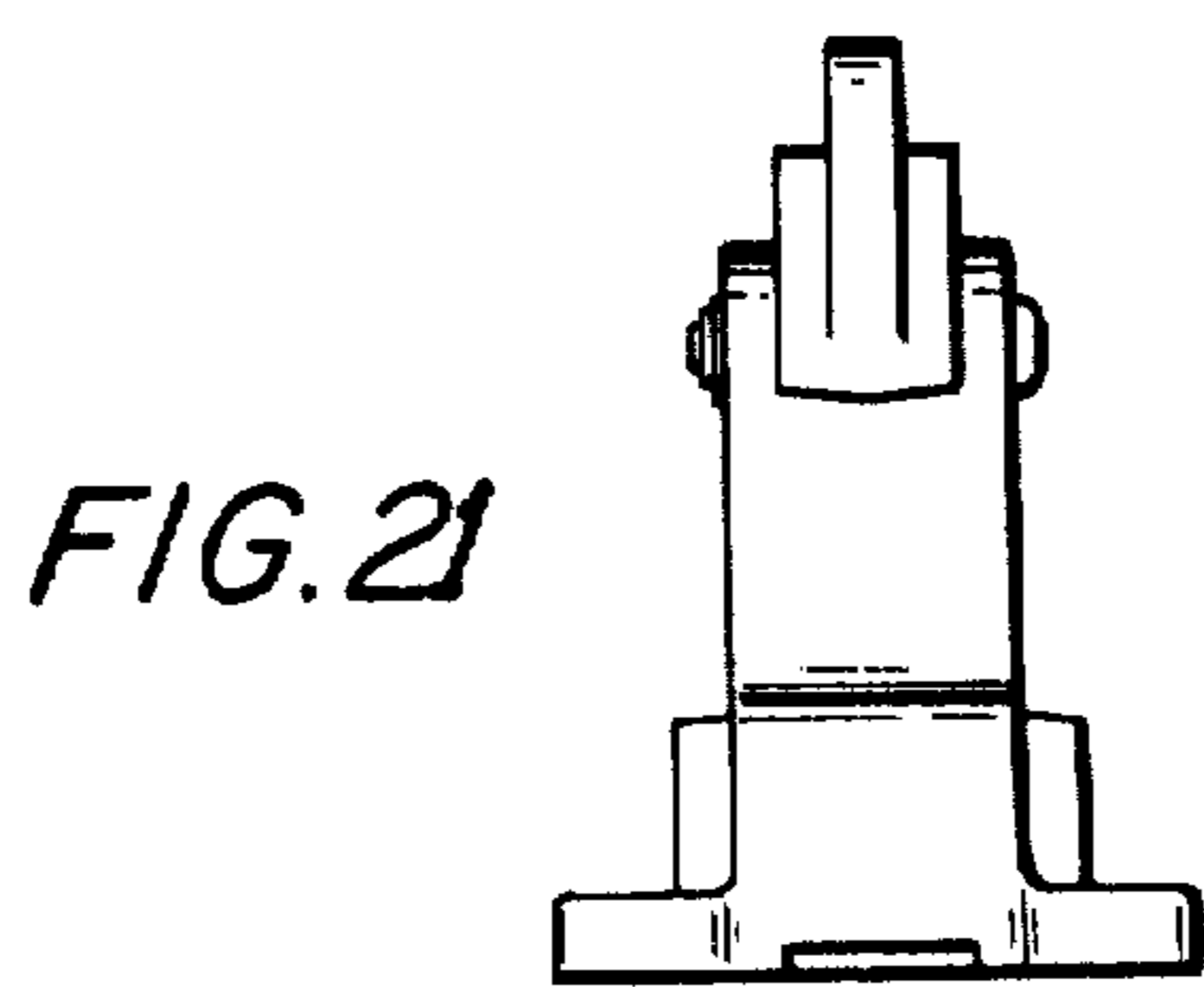
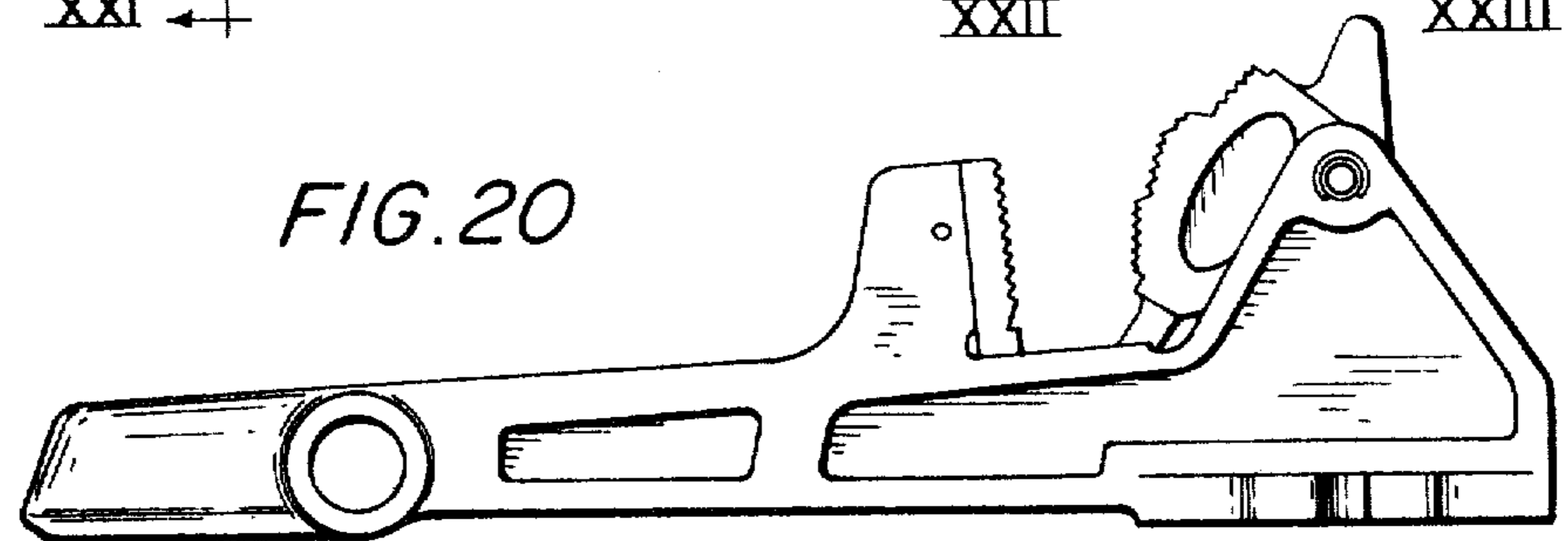
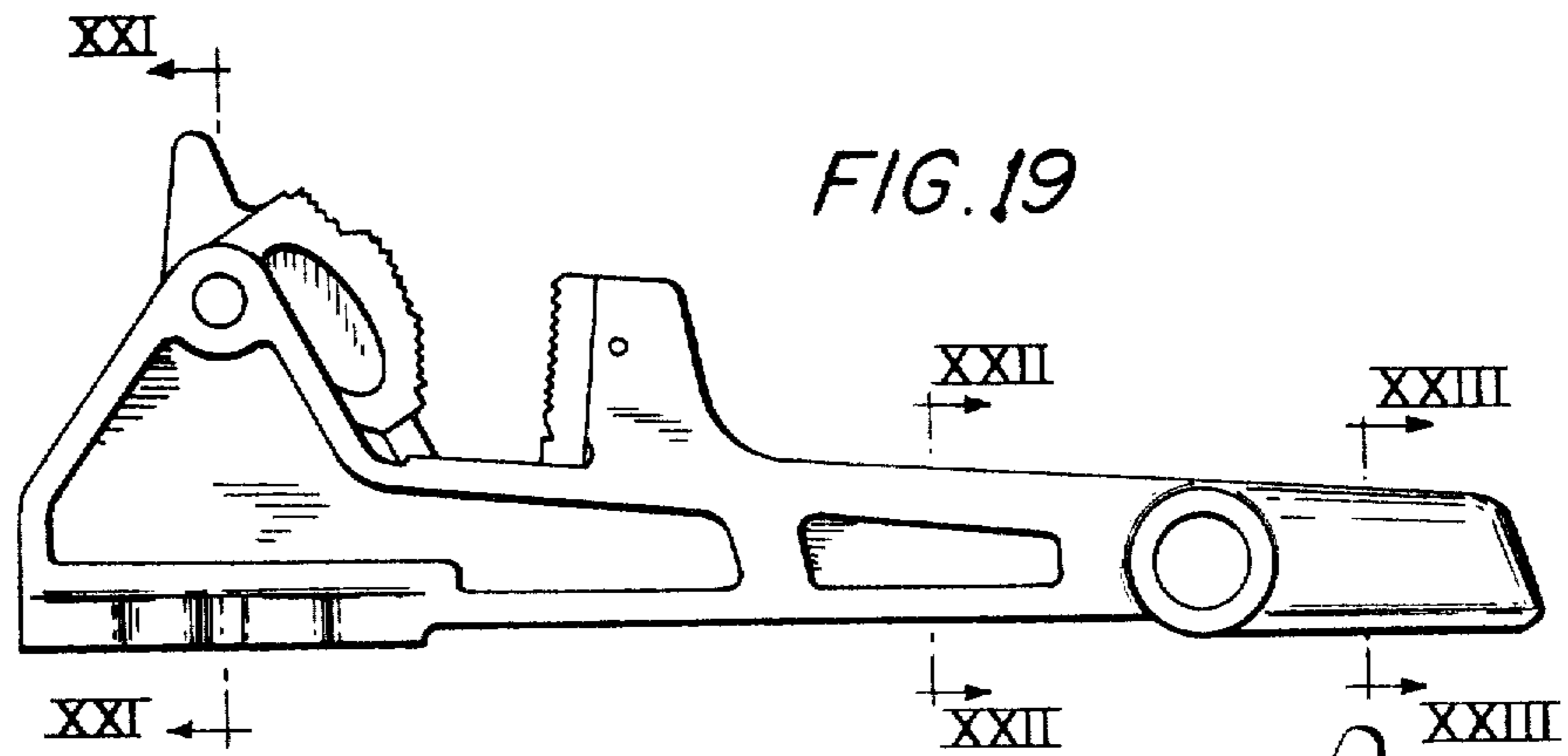


FIG. 25

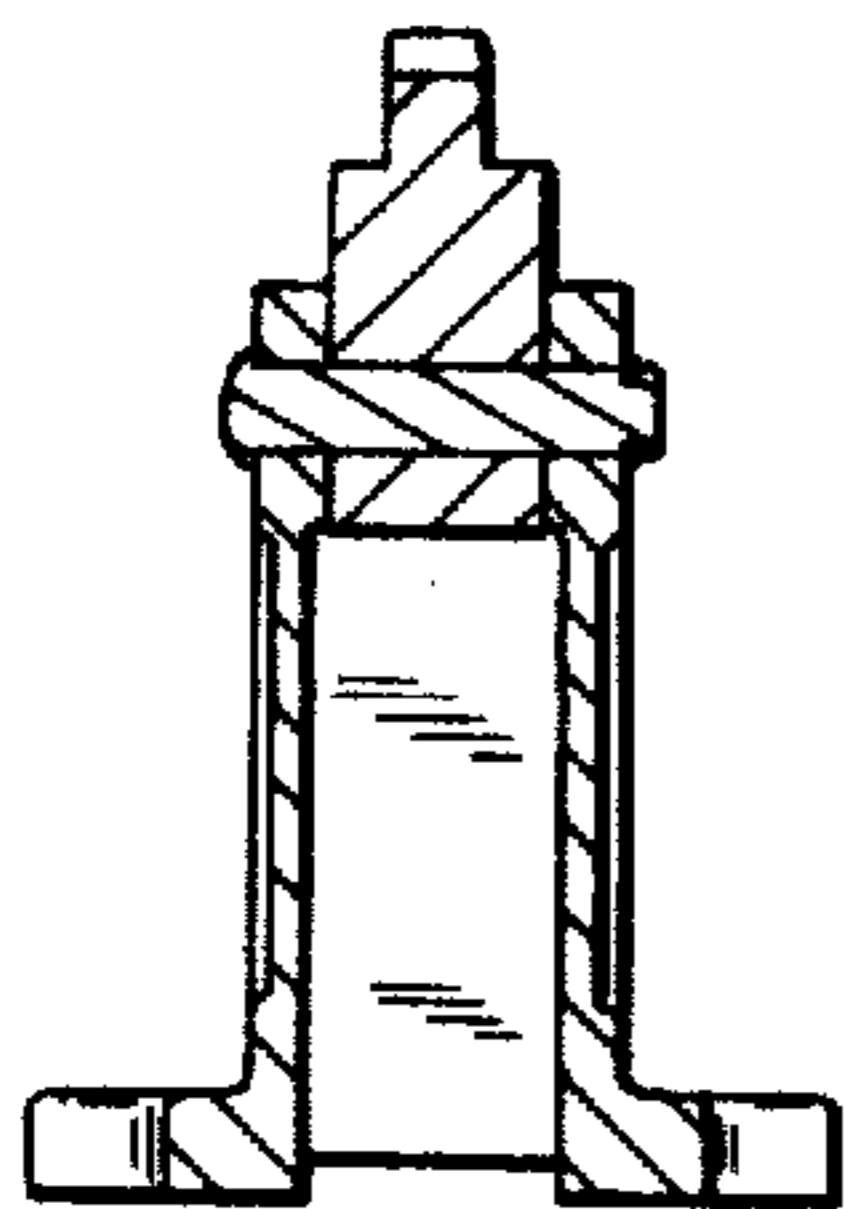


FIG. 26

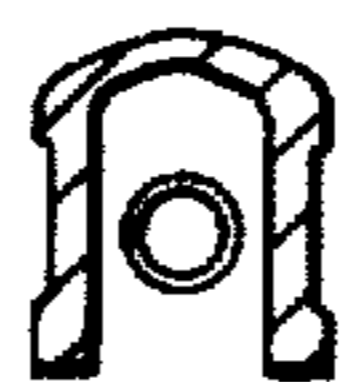


FIG. 27



FIG. 28

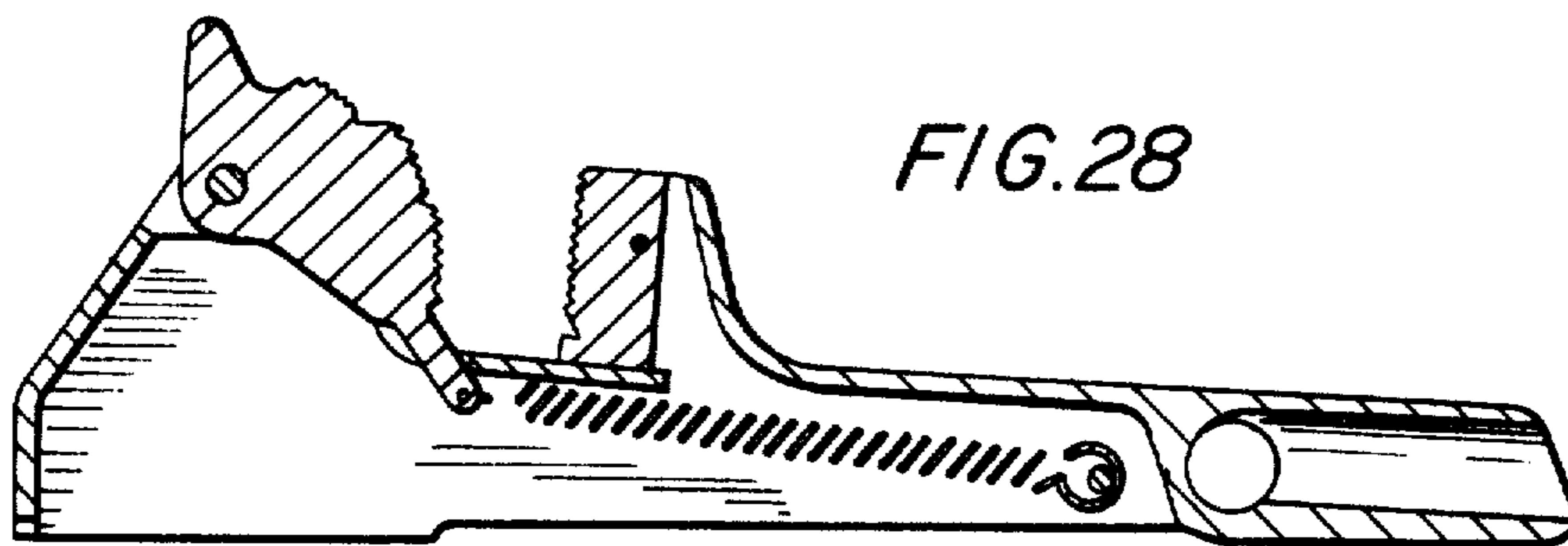


FIG. 29

