

[54] **FOOD PROCESSOR**

[75] Inventors: **Atsushi Sawada, Kawanishi; Shinichi Nagayama, Kyoto, both of Japan**

[73] Assignee: **Matsushita Electric Industrial Co., Ltd., Osaka, Japan**

[**] Term: **14 Years**

[21] Appl. No.: **269,194**

[22] Filed: **Jun. 1, 1981**

[30] **Foreign Application Priority Data**

Dec. 2, 1980 [JP] Japan 55-50342

[51] Int. Cl. **D07-04**

[52] U.S. Cl. **D7/384; D7/378**

[58] Field of Search **D7/384, 386, 378, 376, D7/372, 368**

[56] **References Cited**

U.S. PATENT DOCUMENTS

D. 191,152 8/1961 Rawson, Jr. et al. D7/378

D. 209,493 12/1967 LeSueur et al. D7/378

D. 215,680 10/1969 Hanson et al. D7/386
D. 254,948 5/1980 Besford D7/384
D. 254,950 5/1980 Besford D7/386
D. 256,318 8/1980 Levin D7/384
D. 258,109 2/1981 Fukumoto et al. D7/384

OTHER PUBLICATIONS

HFD-Retailing Home Furnishings, Nov. 17, 1980, Sec. One, p. 38, Computerized Products, Food Processor at left with Touch Controls.

Primary Examiner—Winifred E. Herrmann
Attorney, Agent, or Firm—Sughrue, Mion, Zinn, Macpeak and Seas

[57] **CLAIM**

The ornamental design for a food processor, as shown.

DESCRIPTION

FIG. 1 is a front, top and right side perspective view of a food processor showing our new design;
FIG. 2 is a top plan view thereof;
FIG. 3 is a bottom plan view thereof;
FIG. 4 is a rear elevational view thereof; and
FIG. 5 is a left side elevational view thereof.

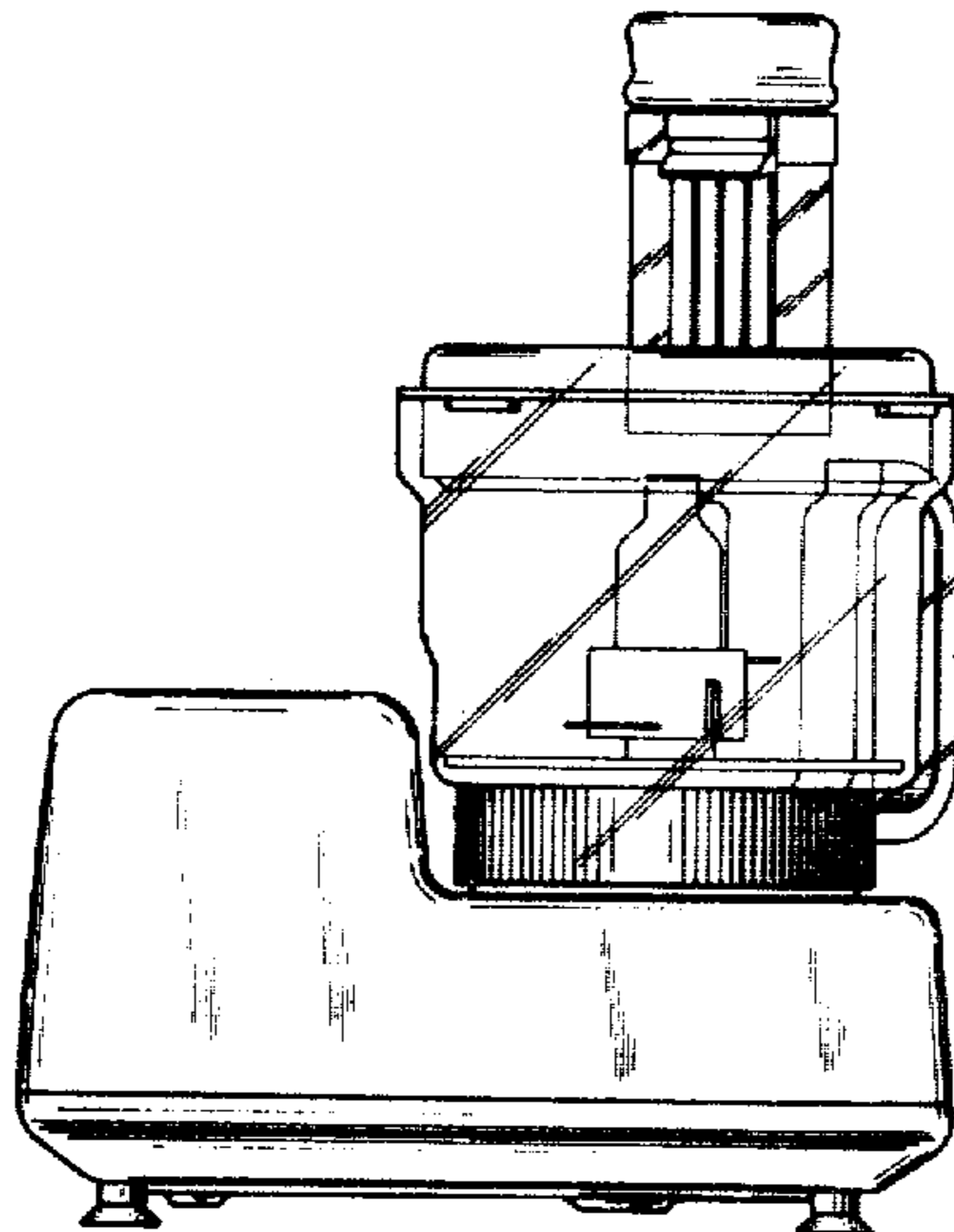
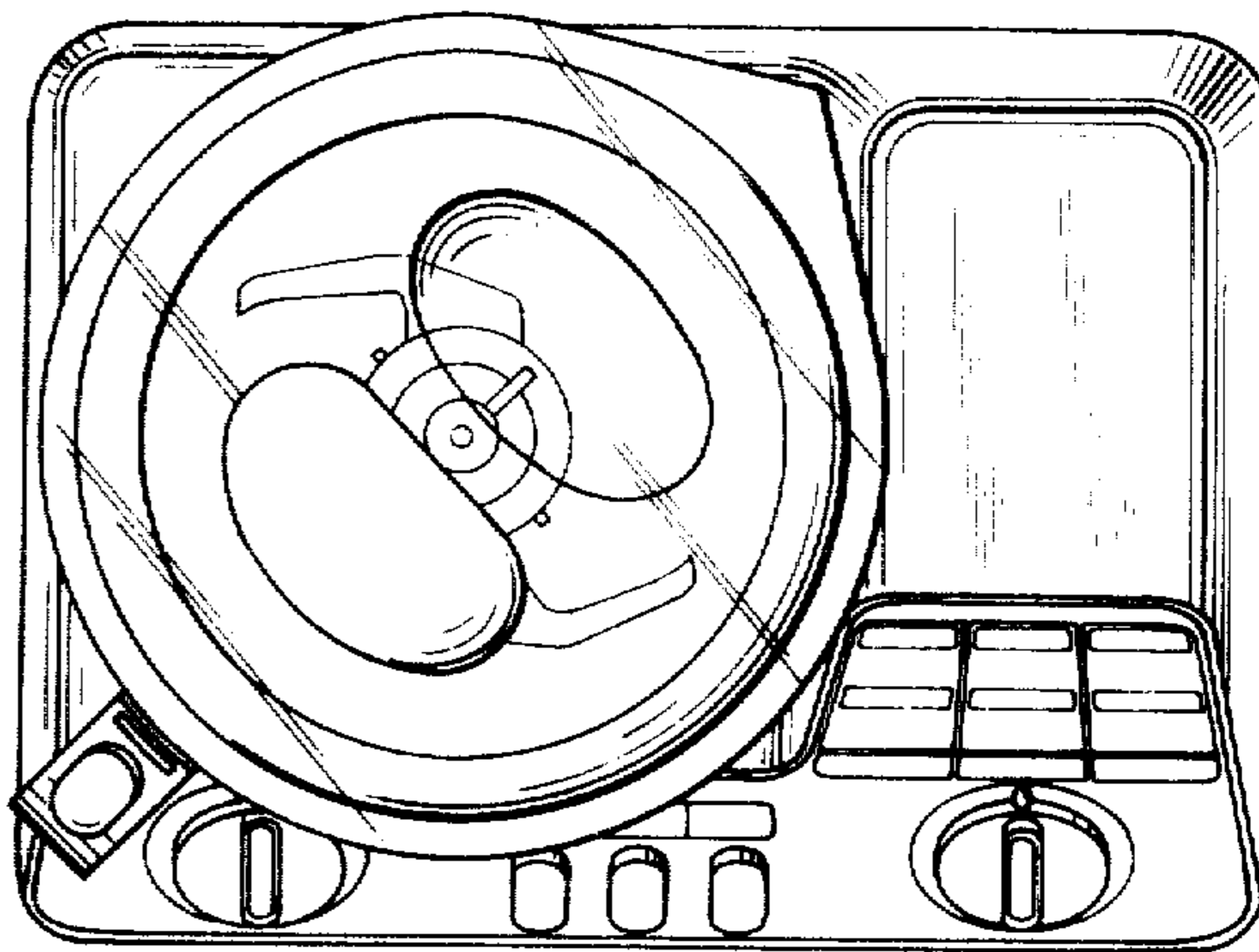
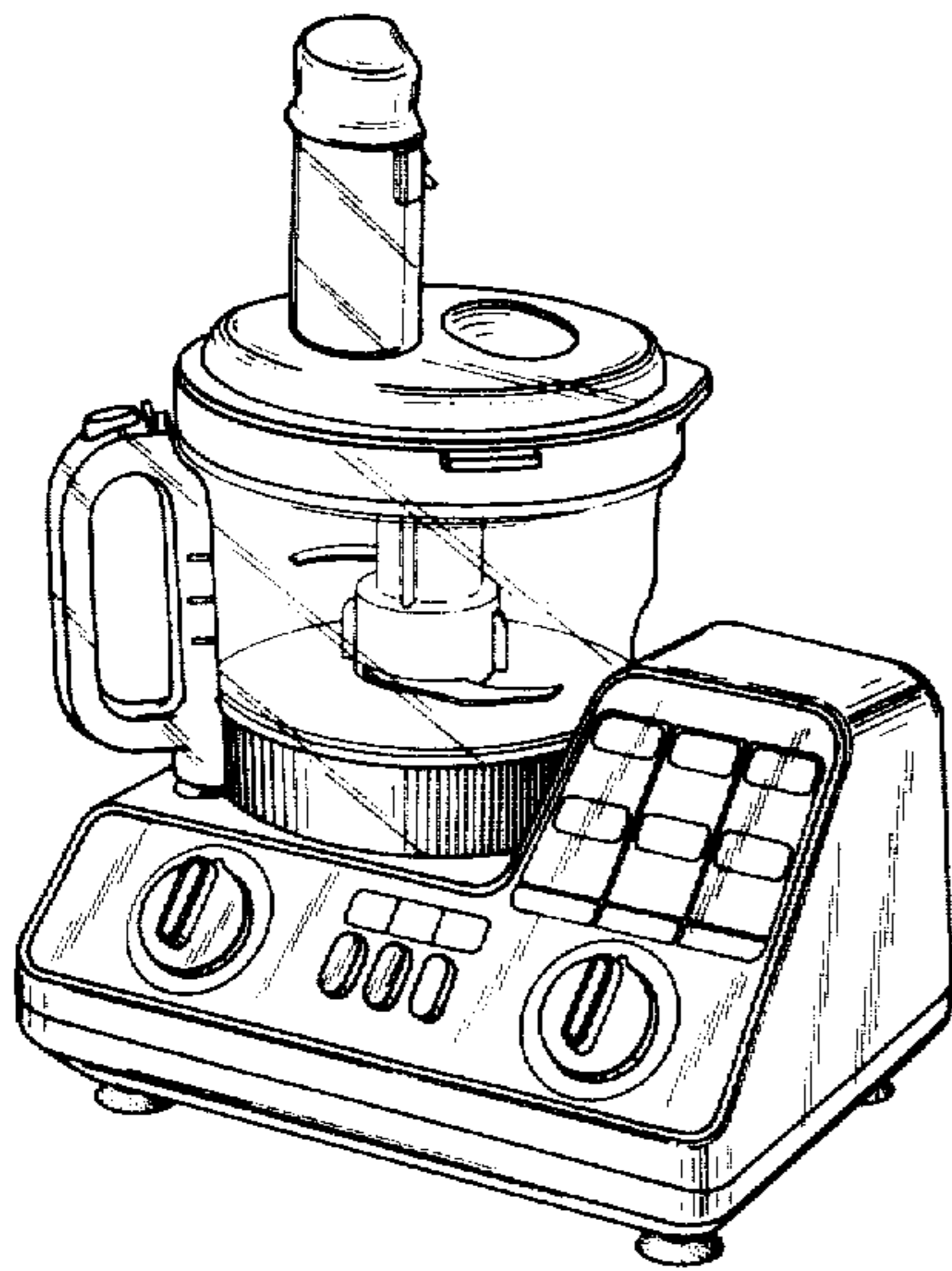


FIG. 1

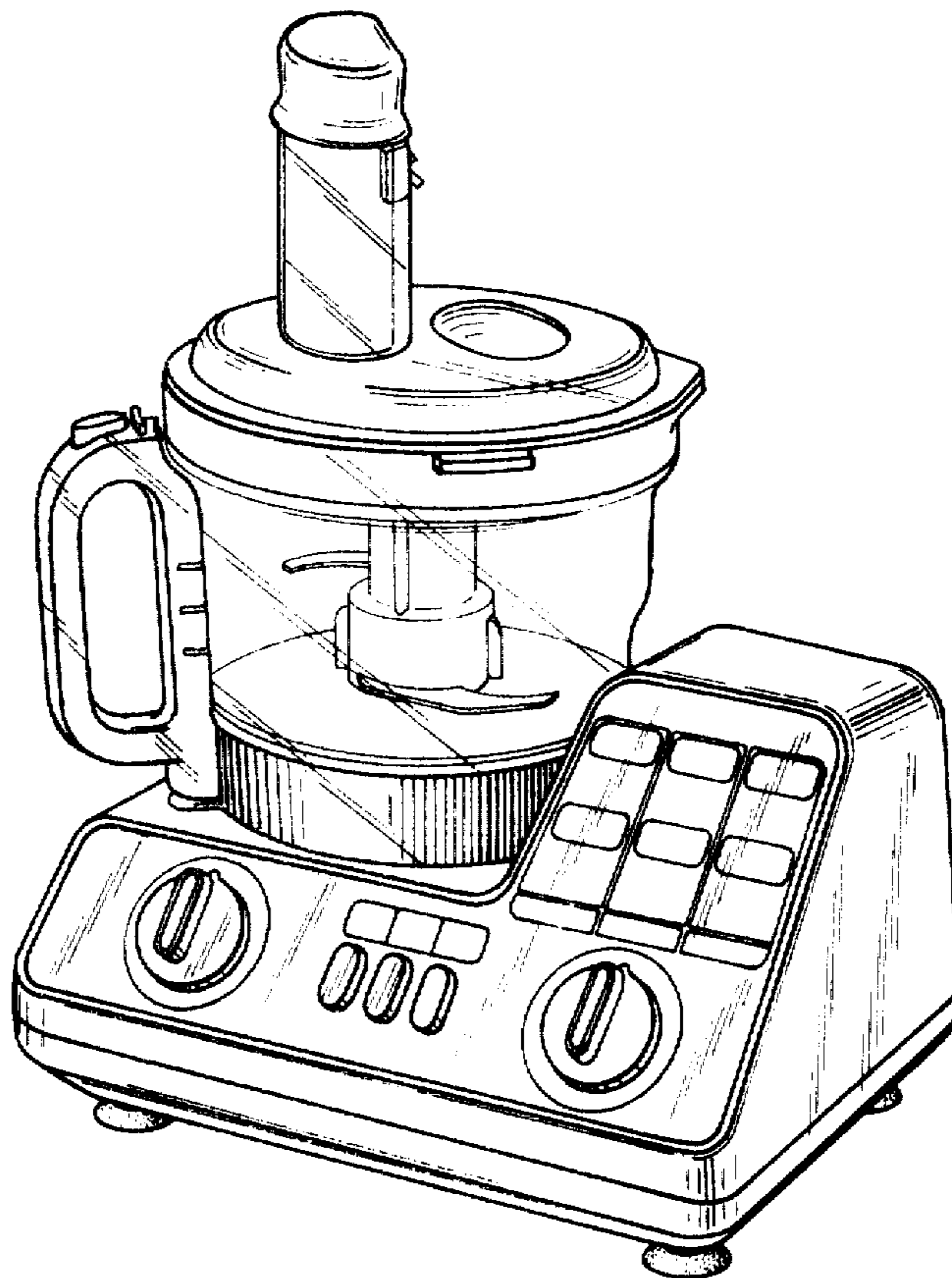


FIG. 2

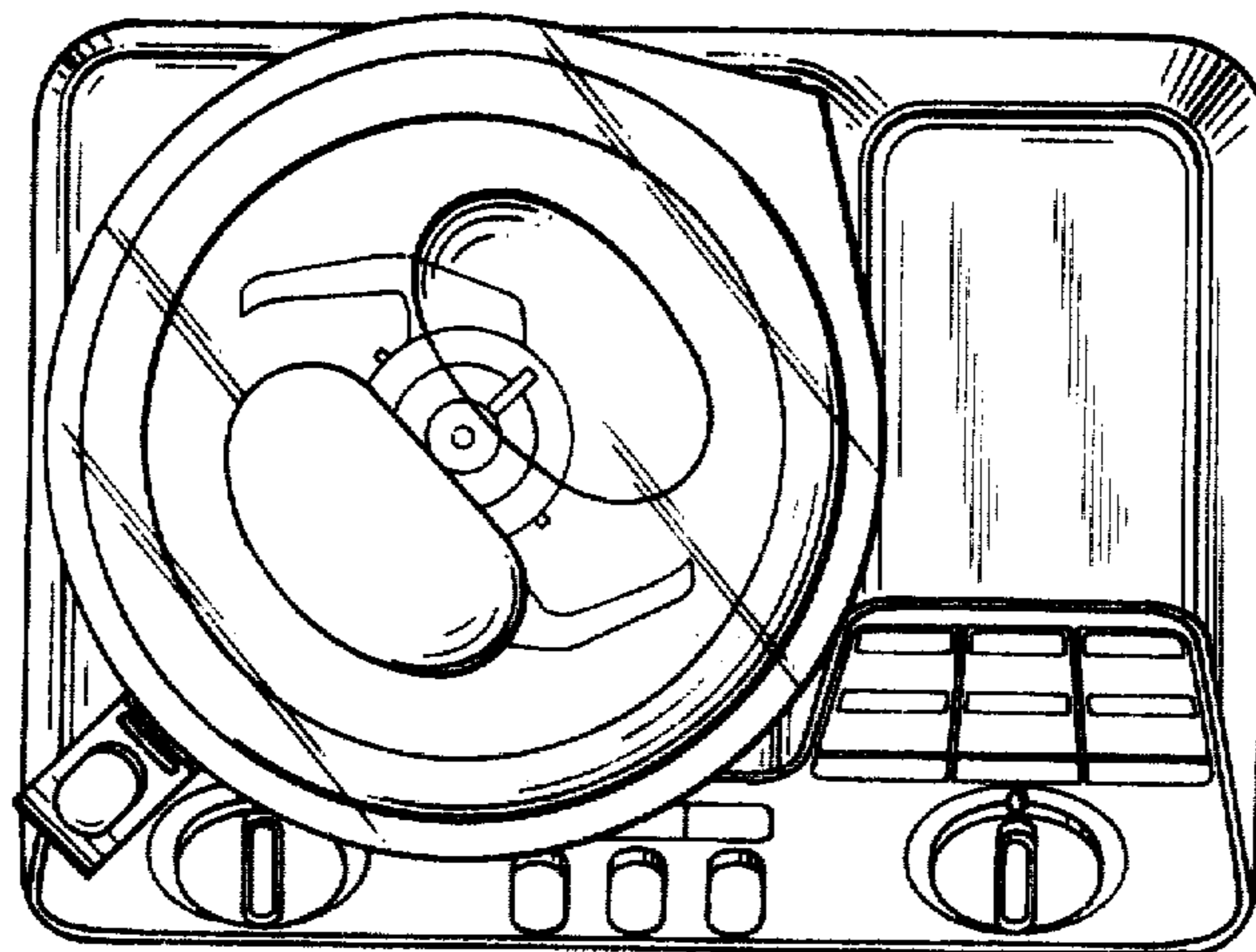


FIG. 3

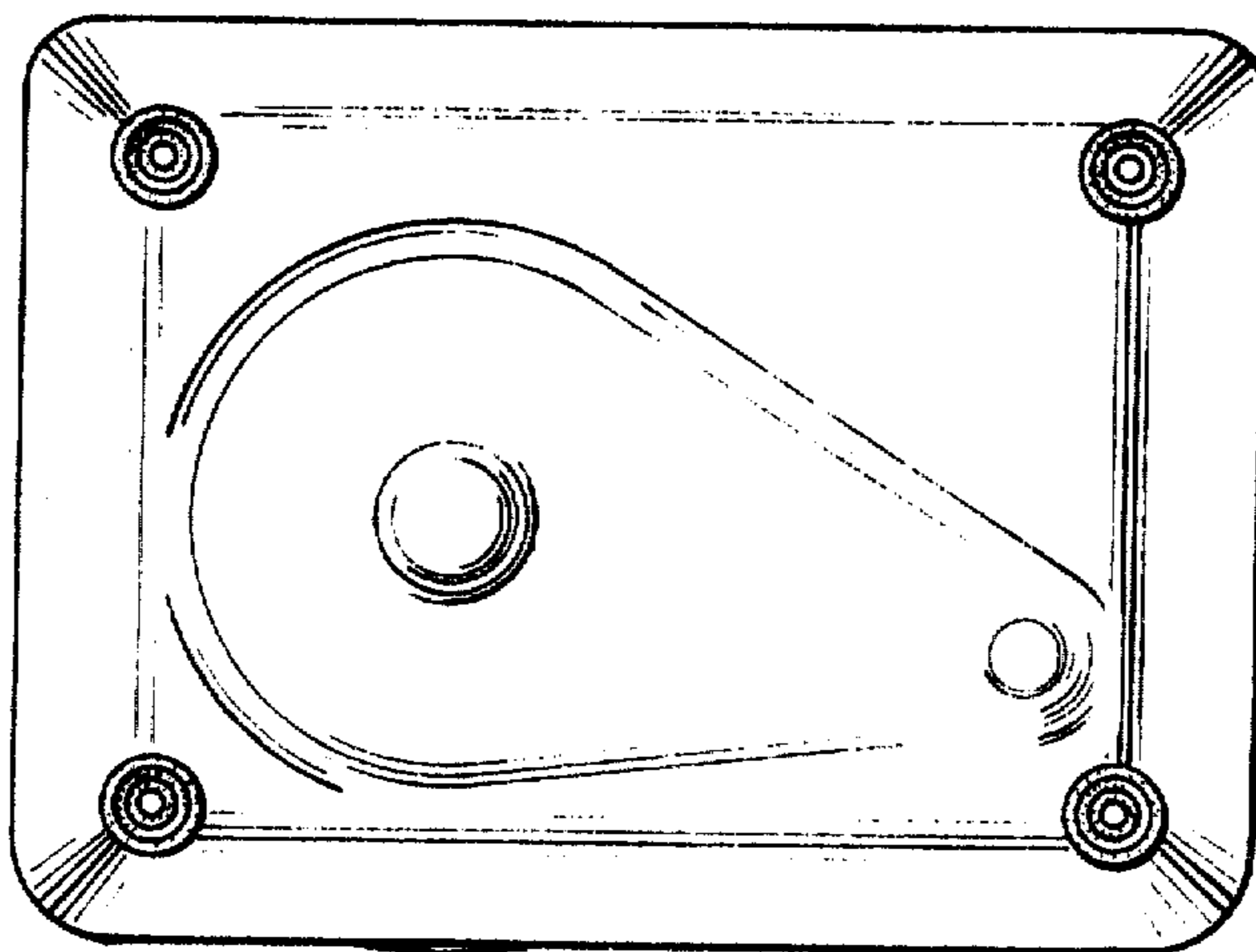


FIG. 5

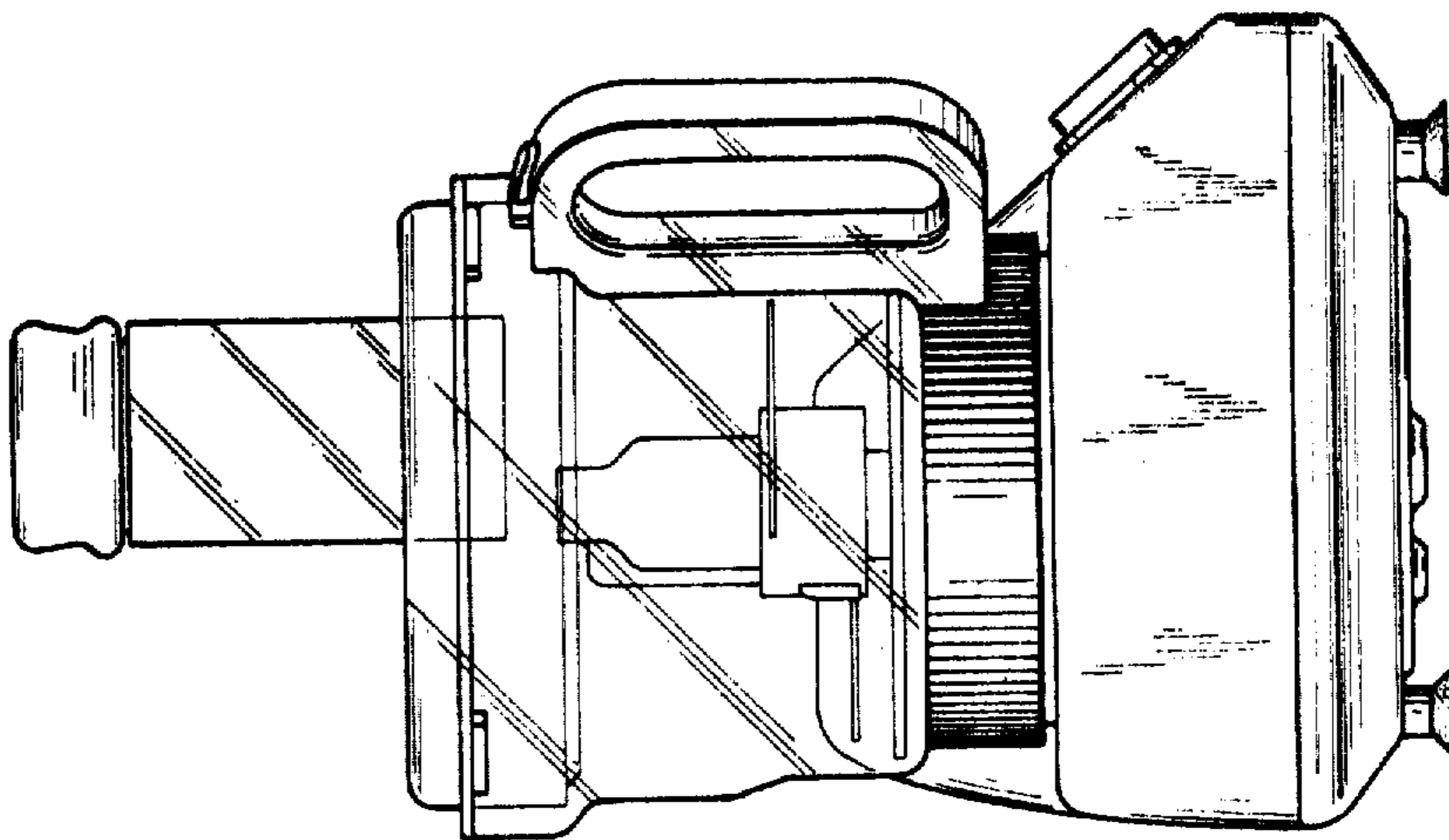


FIG. 4

