

[54] TUMBLER OR SIMILAR ARTICLE

[76] Inventor: **Jean-Jacques Durand**, LaGarenne, 62510 Arques, France

[**] Term: **14 Years**

[21] Appl. No.: **298,494**

[22] Filed: **Sep. 1, 1981**

[51] Int. Cl. **D07-01**

[52] U.S. Cl. **D7/14**

[58] Field of Search **D7/11, 12, 13, 6, 14**

[56] **References Cited**

U.S. PATENT DOCUMENTS

D. 187,605	4/1960	Dreitzer	D7/14
D. 244,740	6/1977	Durand	D7/14
D. 266,815	11/1982	Durand	D7/14

Primary Examiner—Winifred E. Herrmann
Attorney, Agent, or Firm—D. Paul Weaver

[57] **CLAIM**

The ornamental design for a tumbler or similar article, substantially as shown and described.

DESCRIPTION

FIG. 1 is a side elevational view of a tumbler or similar article showing my new design, with the other side being a mirror image thereof;

FIG. 2 is a sectional view thereof taken along the lines 2—2 of FIG. 3, with the facets having been left out for greater clarity of illustration;

FIG. 3 is a top plan view thereof;

FIG. 4 is a bottom plan view thereof; and

FIG. 5 is a sectional view thereof taken along the lines 5—5 of FIG. 1.

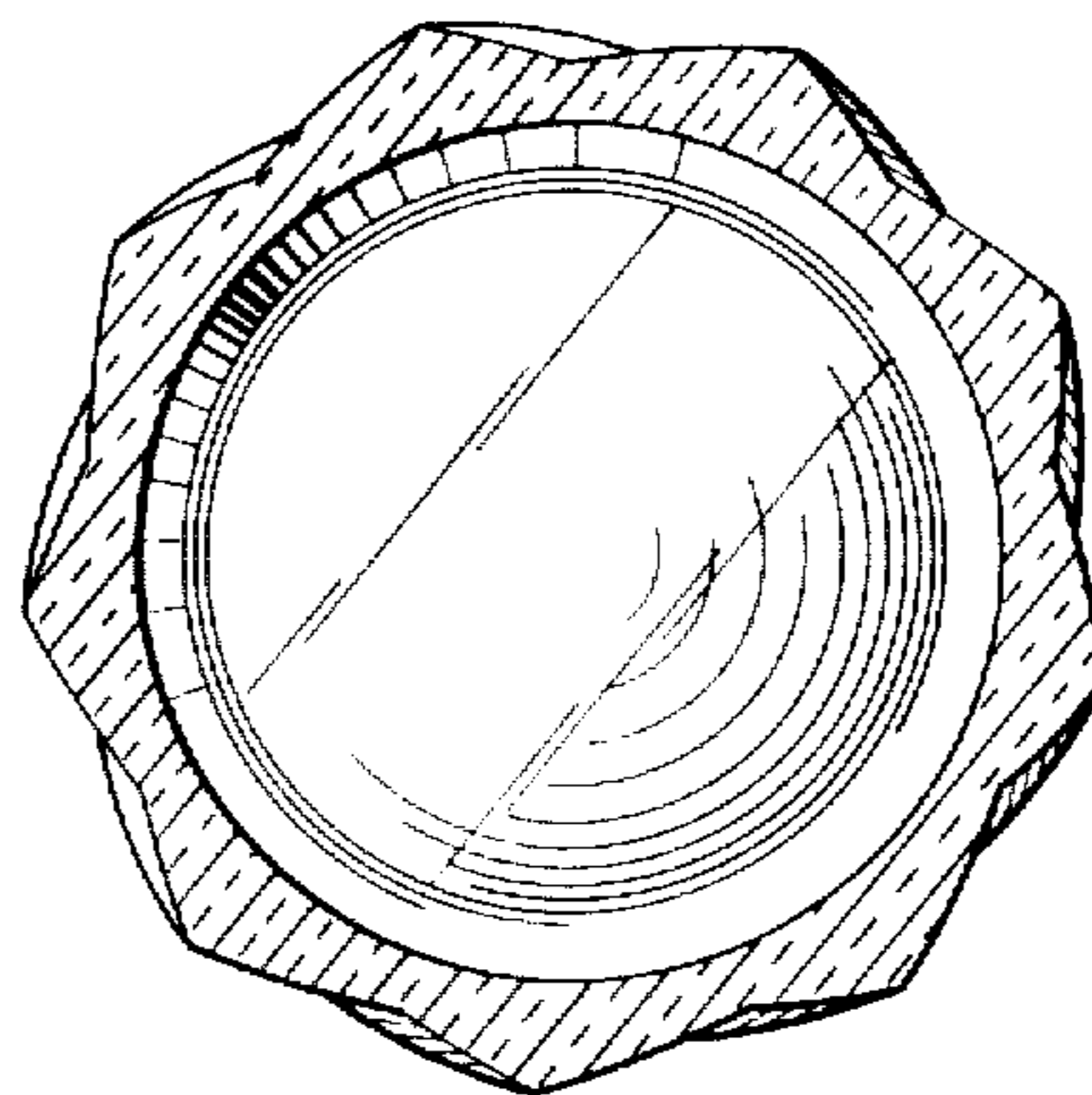
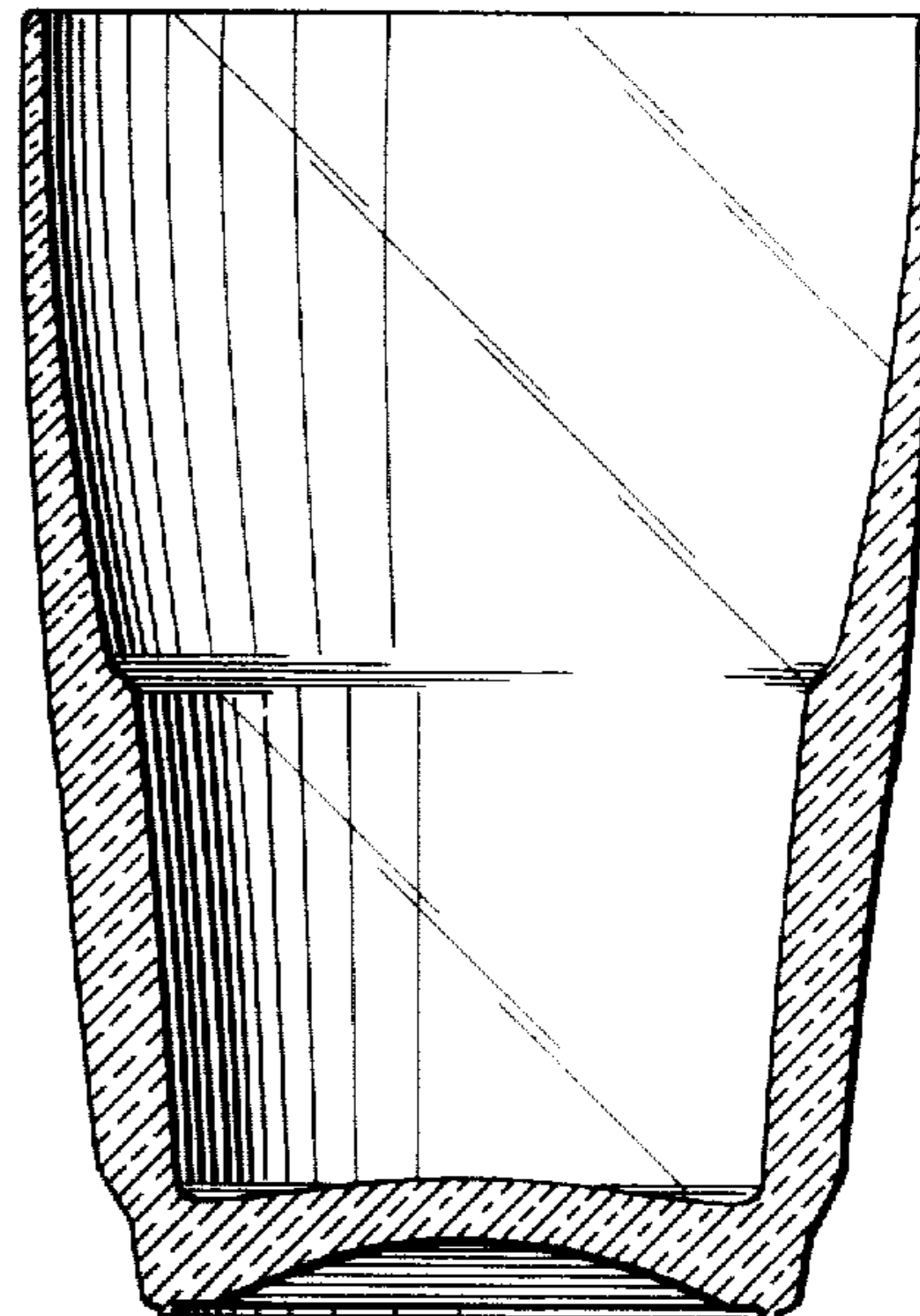
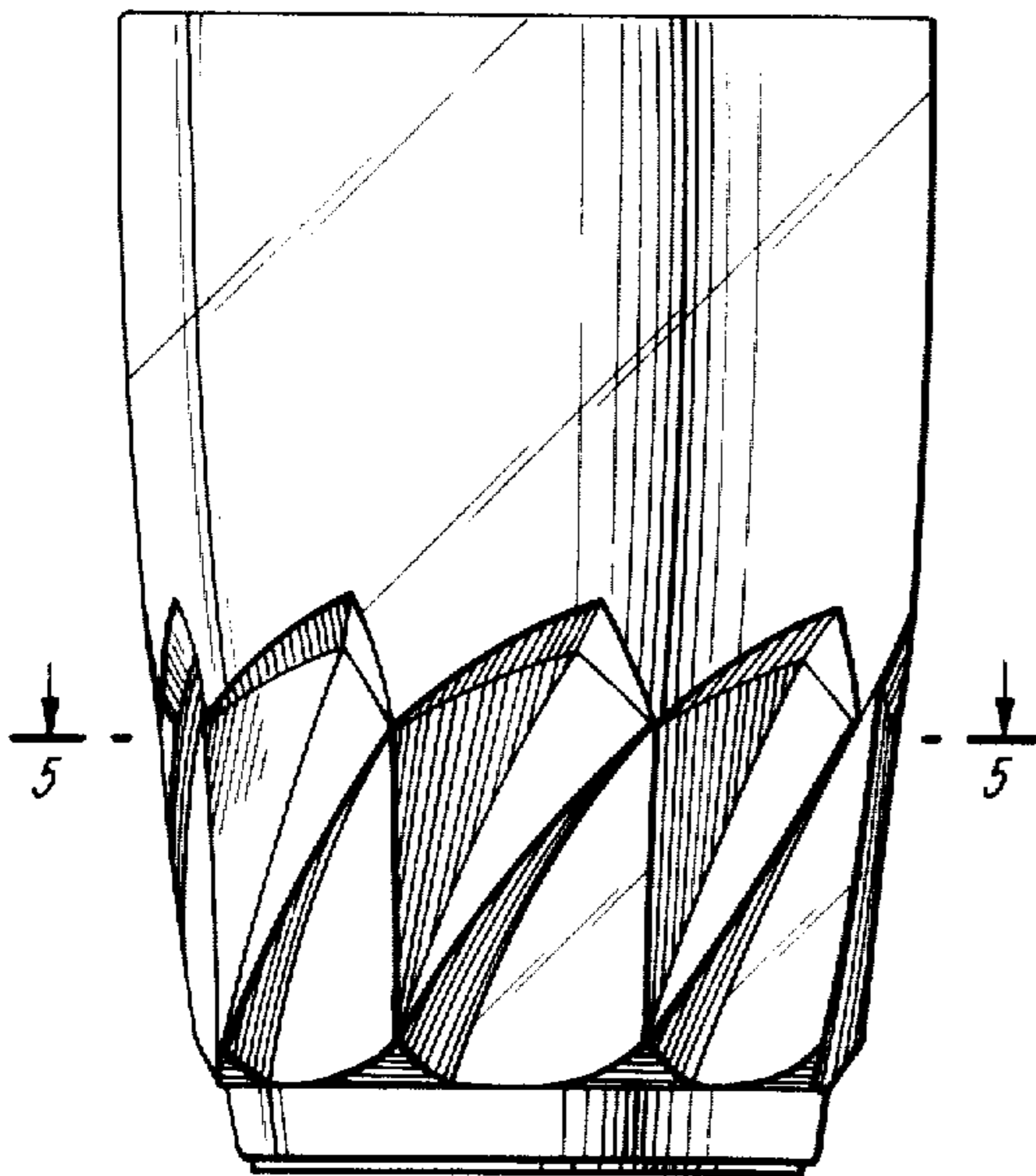


FIG. 1

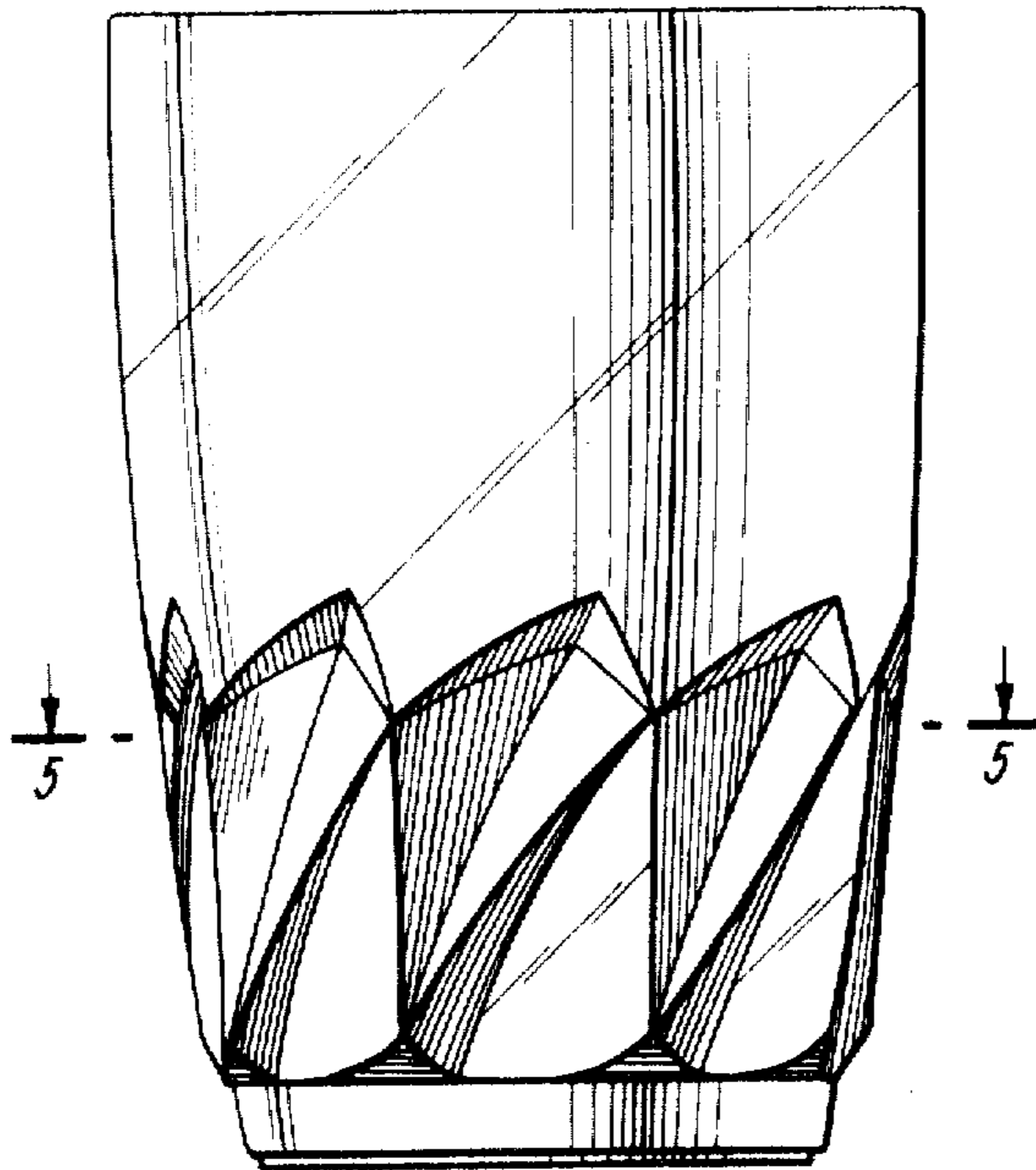


FIG. 2

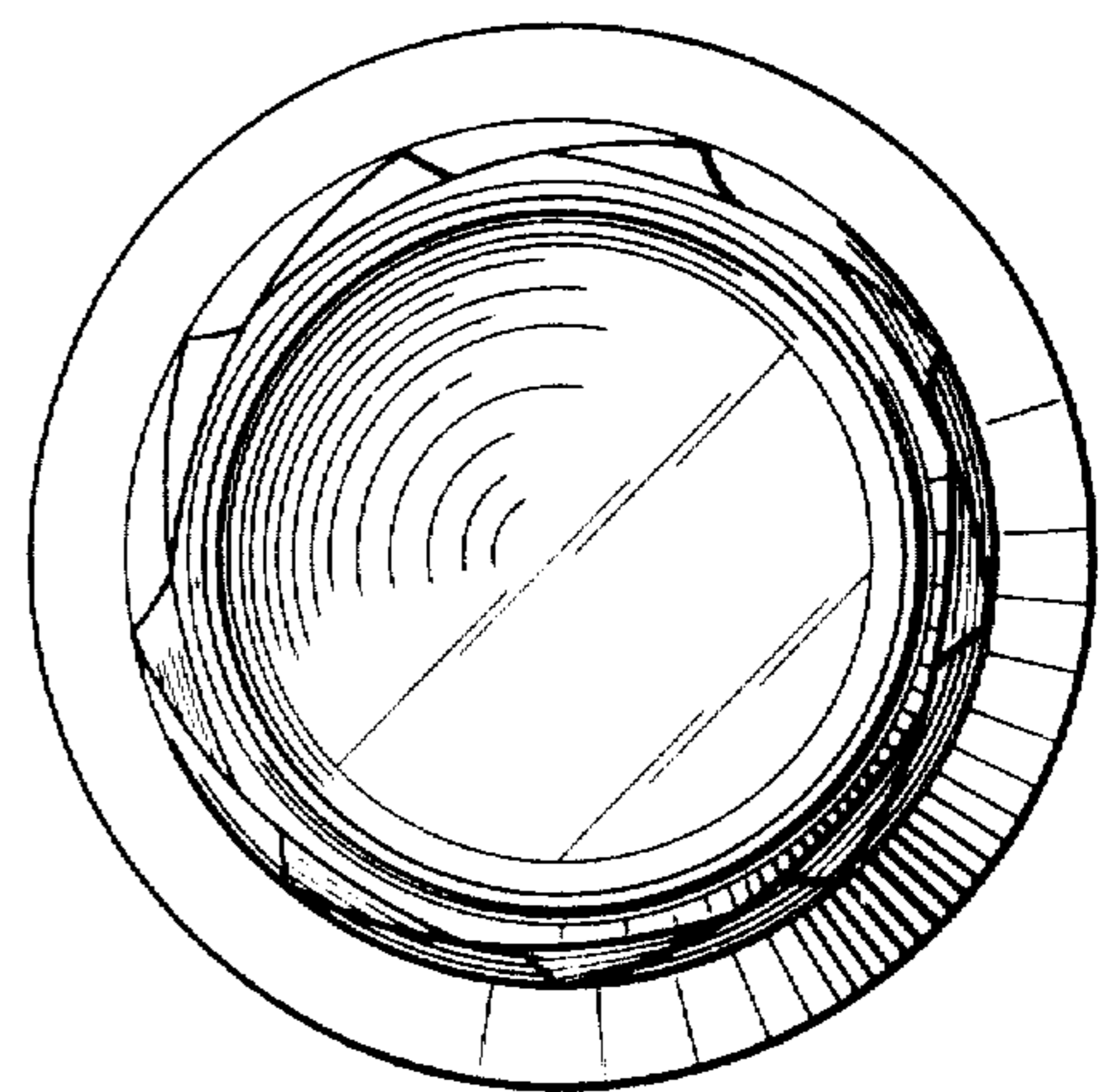
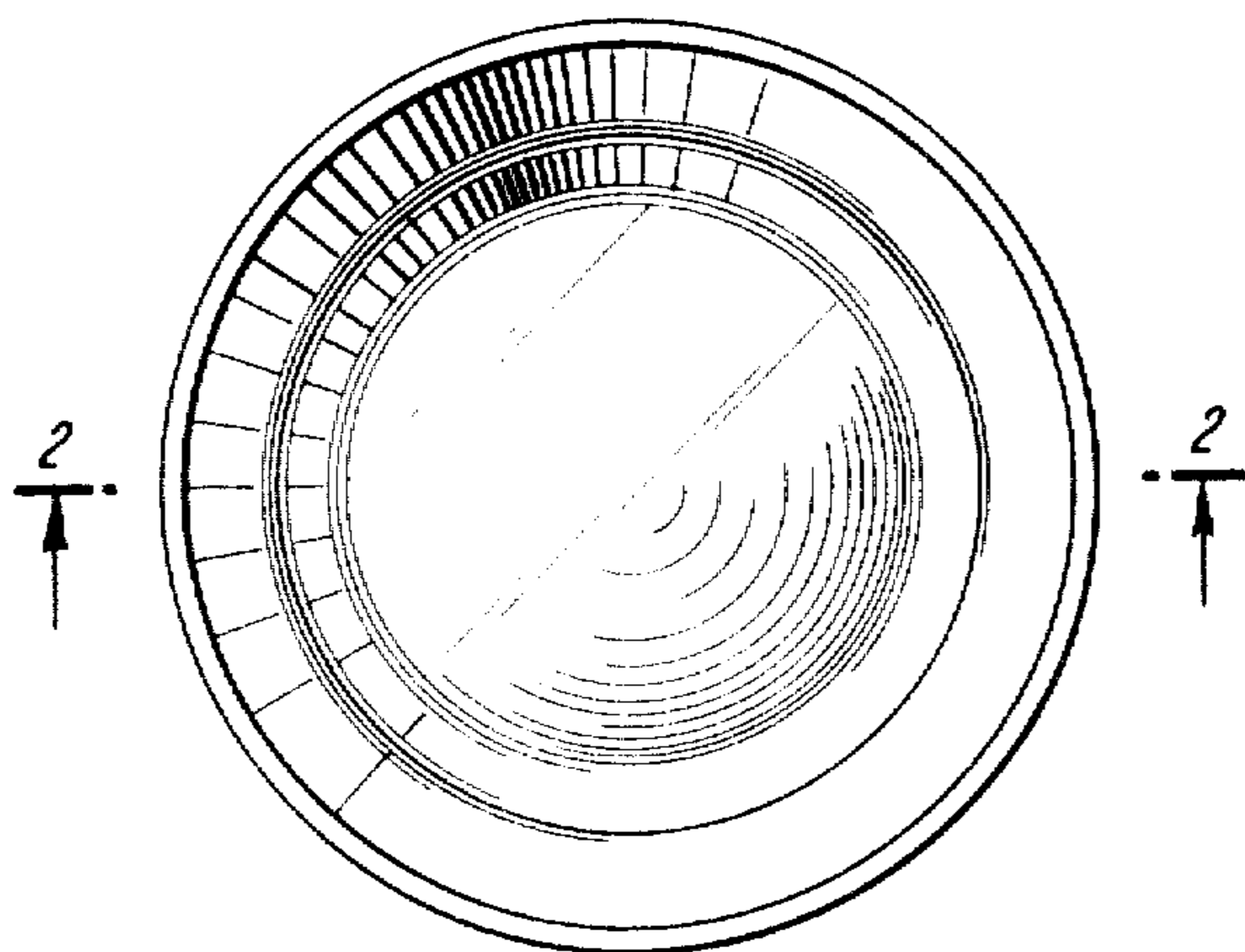
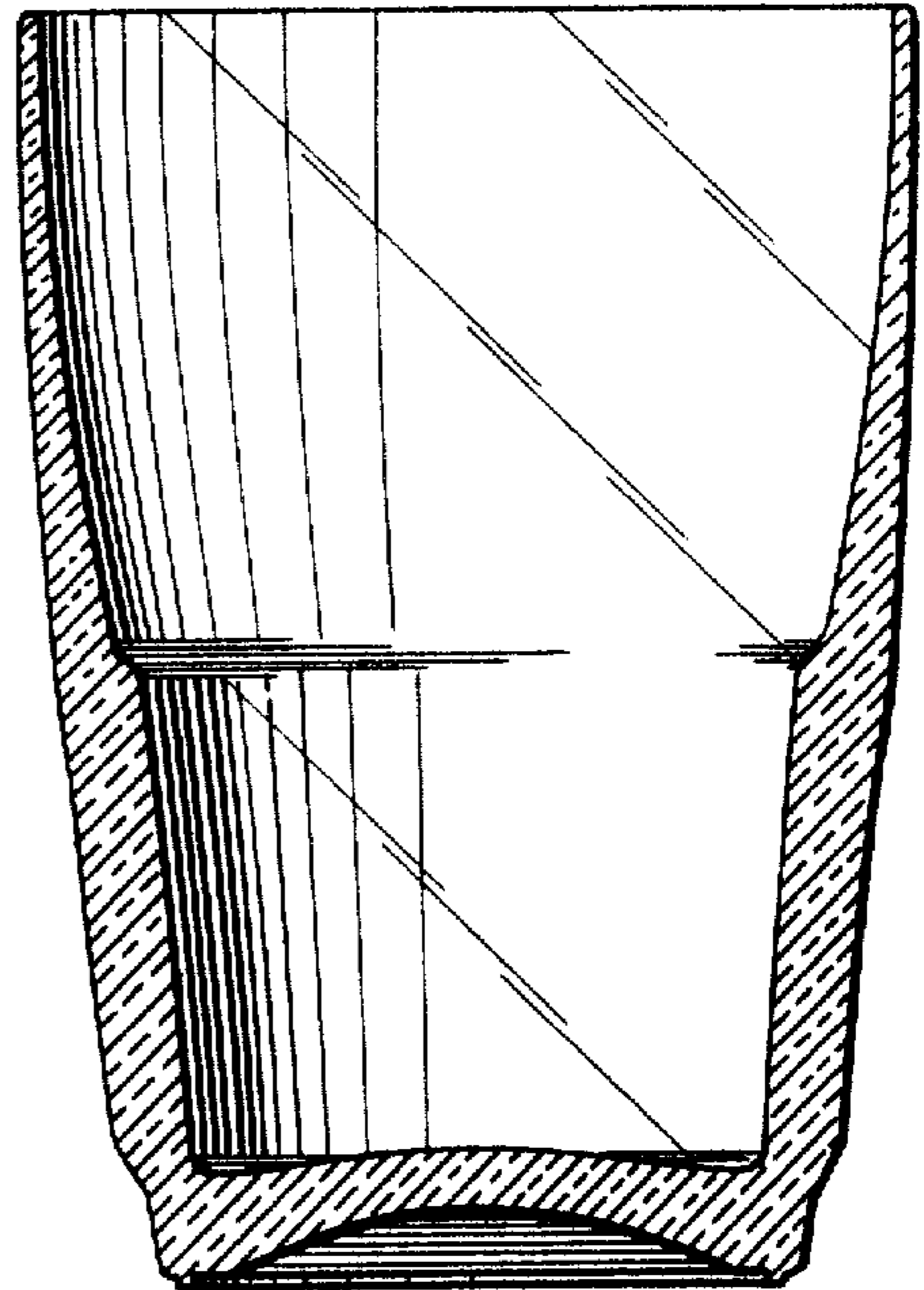


FIG. 3

FIG. 4

FIG. 5

