

[54] CHAIR FRAME

[76] Inventors: Wulf Schneider; Ulrich Böhme, both of Stuttgart, Fed. Rep. of Germany

[\*\*] Term: 14 Years

[21] Appl. No.: 65,143

[22] Filed: Aug. 7, 1979

[30] Foreign Application Priority Data

Feb. 8, 1979 [DE] Fed. Rep. of Germany ..... 79R13212[U]

[51] Int. Cl. .... D6-99

[52] U.S. Cl. .... D6/191

[58] Field of Search ..... D6/26, 30, 31, 47-78, D6/191, 193

[56] References Cited

U.S. PATENT DOCUMENTS

D. 96,703 8/1935 Schwarzkoff ..... D6/197

D. 215,712 10/1969 Duckett et al. .... D6/197  
D. 224,955 10/1972 Tipton ..... D6/197  
D. 259,318 5/1981 Hanaford ..... D6/197

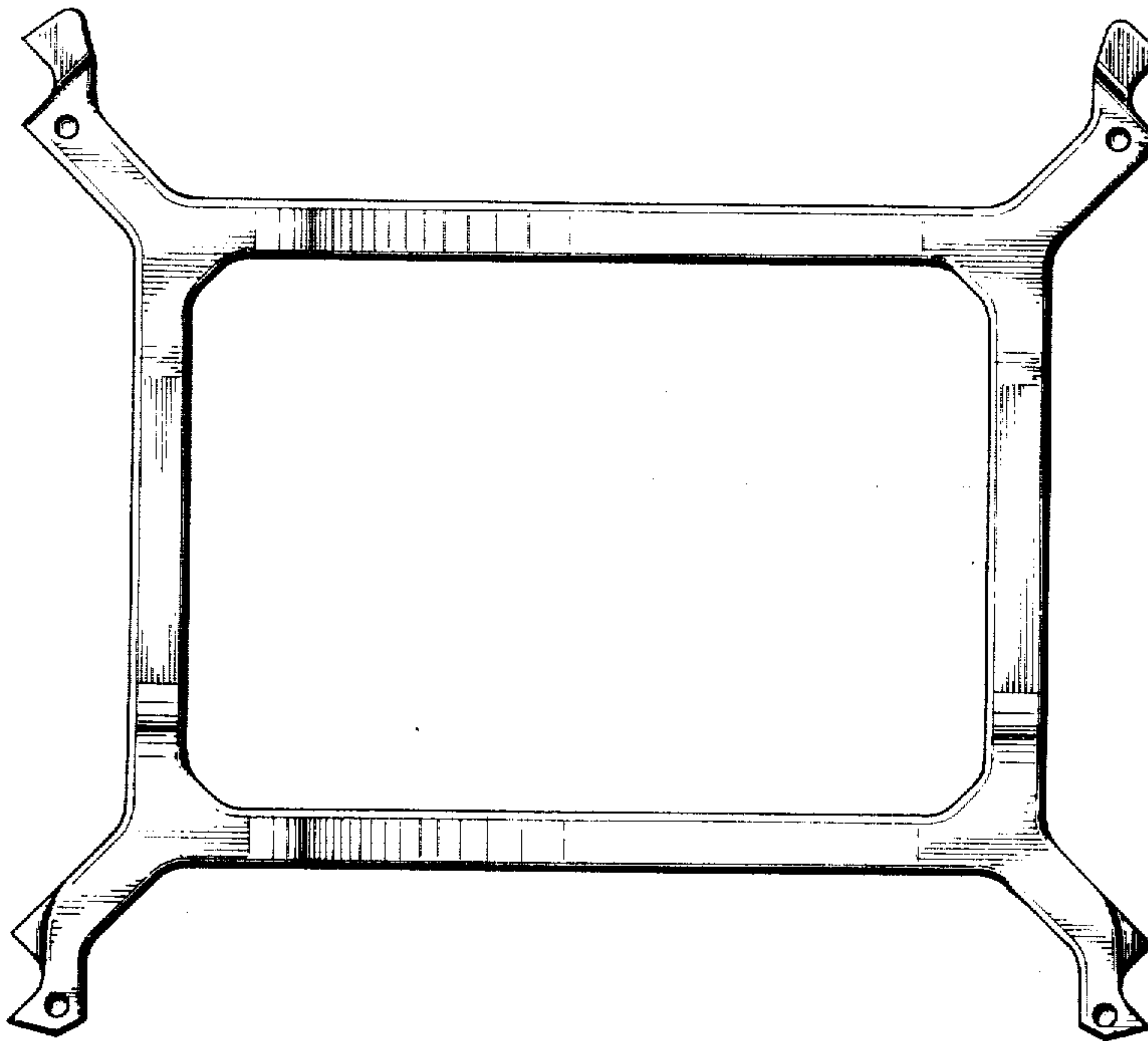
Primary Examiner—Bruce W. Dunkins  
Attorney, Agent, or Firm—Browdy and Neimark

[57] CLAIM

The ornamental design for a chair frame, as shown and described.

DESCRIPTION

FIG. 1 is a top plan view of a chair frame showing the ornamental design thereof;  
FIG. 2 is a side elevational view taken from the right in FIG. 1;  
FIG. 3 is a side elevational view taken from the left in FIG. 1;  
FIG. 4 is a front elevational view; and  
FIG. 5 is a rear elevational view.  
The bottom of the chair frame is conventional in appearance.



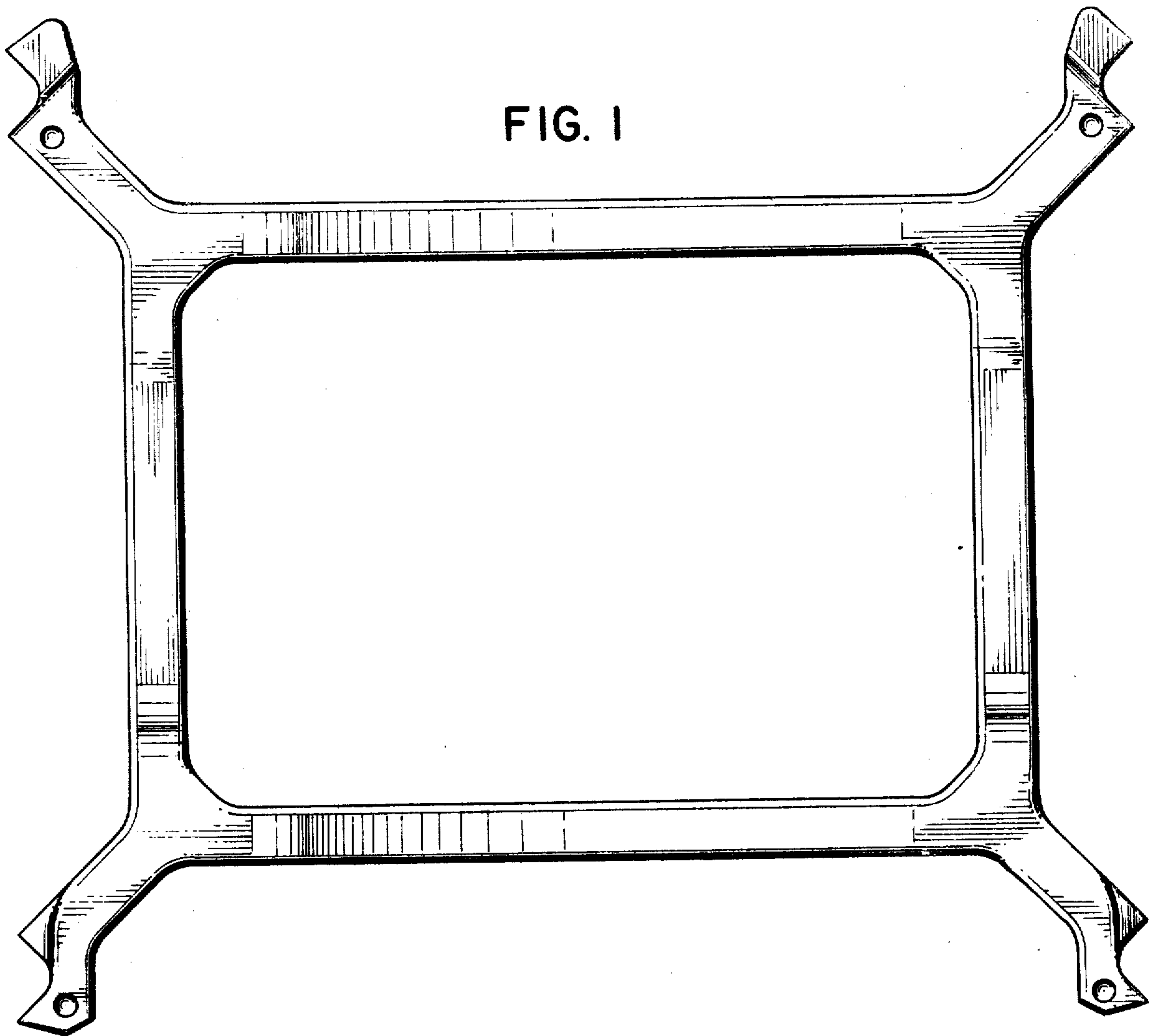


FIG. 1

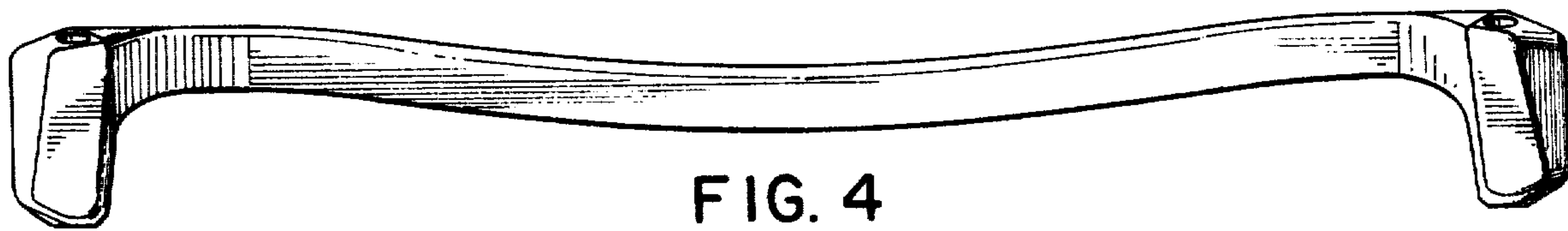


FIG. 4

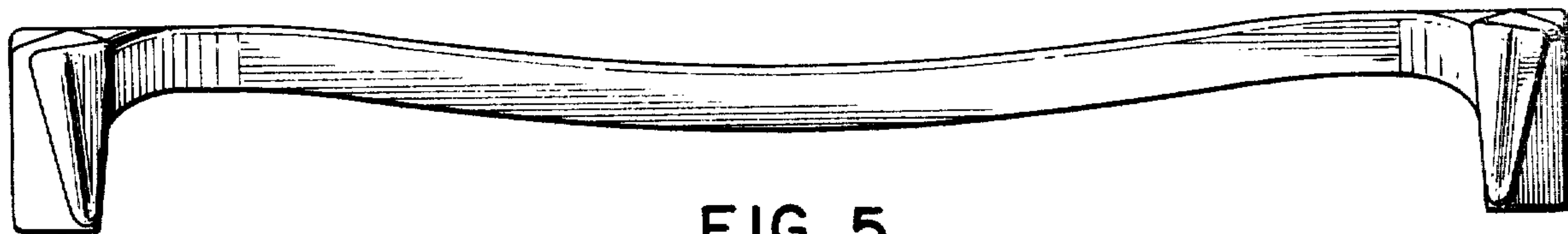


FIG. 5

FIG. 2

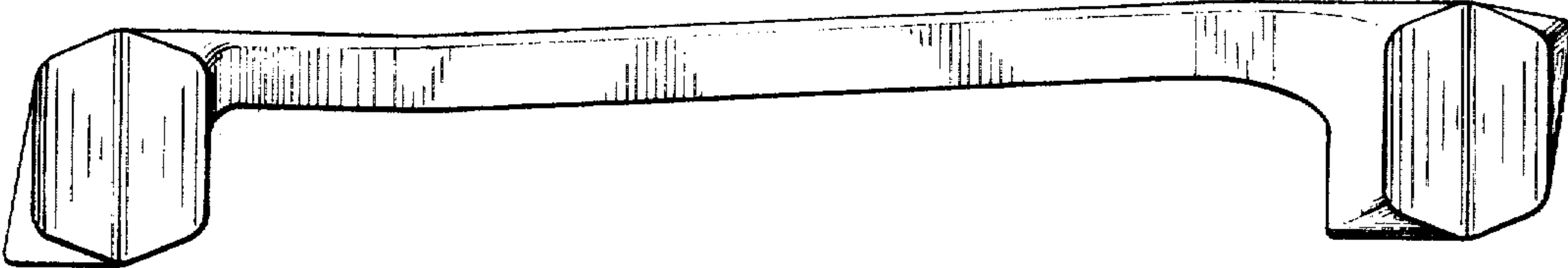


FIG. 3

