

[54] COMBINED WORK BENCH AND TOOL CABINET

[76] Inventor: Antonio Anzalone, 17 Thatcher St., Boston, Mass. 02113

[**] Term: 14 Years

[21] Appl. No.: 160,389

[22] Filed: Jun. 17, 1980

[51] Int. Cl. D06-04

[52] U.S. Cl. D6/168; D34/20

[58] Field of Search D6/158, 159, 160, 164, D6/165, 166, 167, 168, 169, 170, 177, 178, 179, 163; D34/19, 20; 280/47.34, 47.35; 312/304, 321, 326, DIG. 33

[56] References Cited

U.S. PATENT DOCUMENTS

- D. 111,860 10/1938 Rueb D34/20
- D. 213,570 3/1969 Selinger et al. D34/20
- D. 219,913 2/1971 Malm et al. D34/19

OTHER PUBLICATIONS

Knaack Brochure #K878 ©1978, p. 8, "Roll-A-Bench", #RWB40 top left of page.
Montgomery Ward Spring/Summer 1978, p. 714, Wood Work Bench from Sweden, top half of page.
Sears Fall/Winter 1978, p. 866, "Craftsman" Workbench Outfits, top of page.

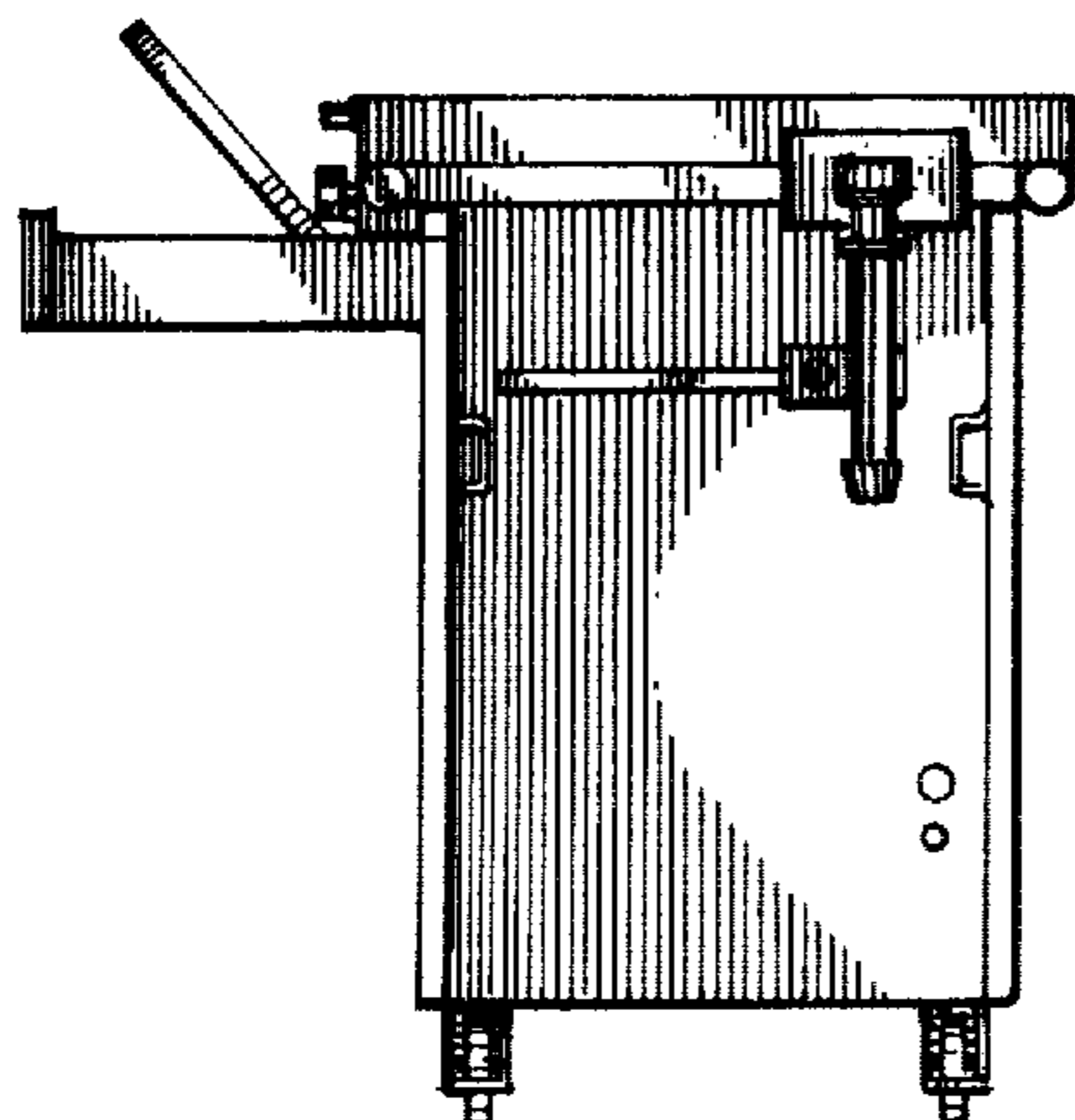
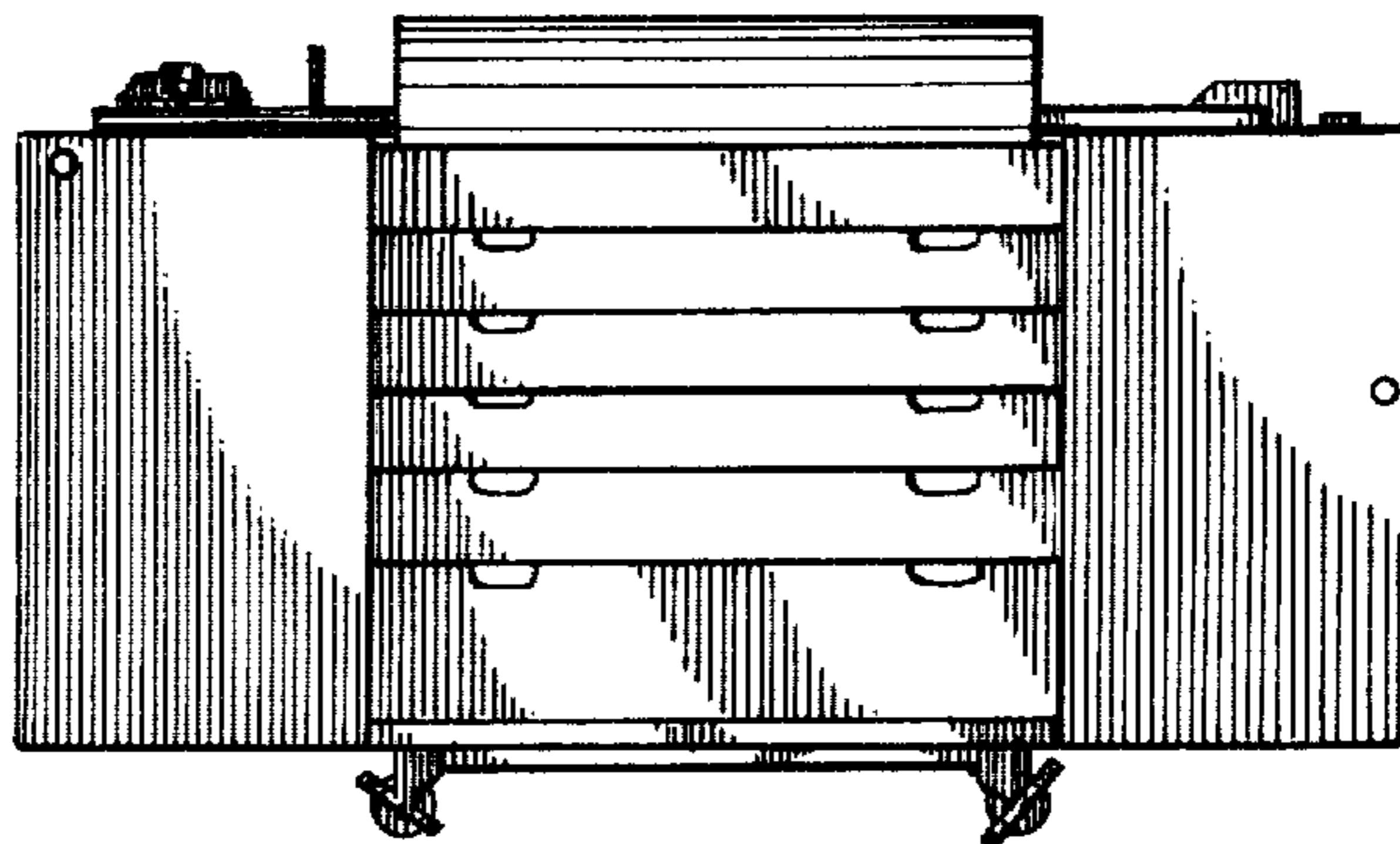
Primary Examiner—Joel Stearman
Assistant Examiner—Carmen H. Vales
Attorney, Agent, or Firm—William Nitkin

[57] CLAIM

The ornamental design for combined work bench and tool cabinet, as shown and described.

DESCRIPTION

FIG. 1 is a rear elevational view of a combined work bench and tool cabinet showing my new design; FIG. 2 is a front elevational view thereof; FIG. 3 is a left side elevational view thereof; FIG. 4 is a right side elevational view thereof; FIG. 5 is a top plan view thereof; and FIG. 6 is a bottom plan view thereof; FIG. 7 is an enlarged partial left side elevational view thereof; and FIG. 8 is an enlarged partial right side elevational view thereof



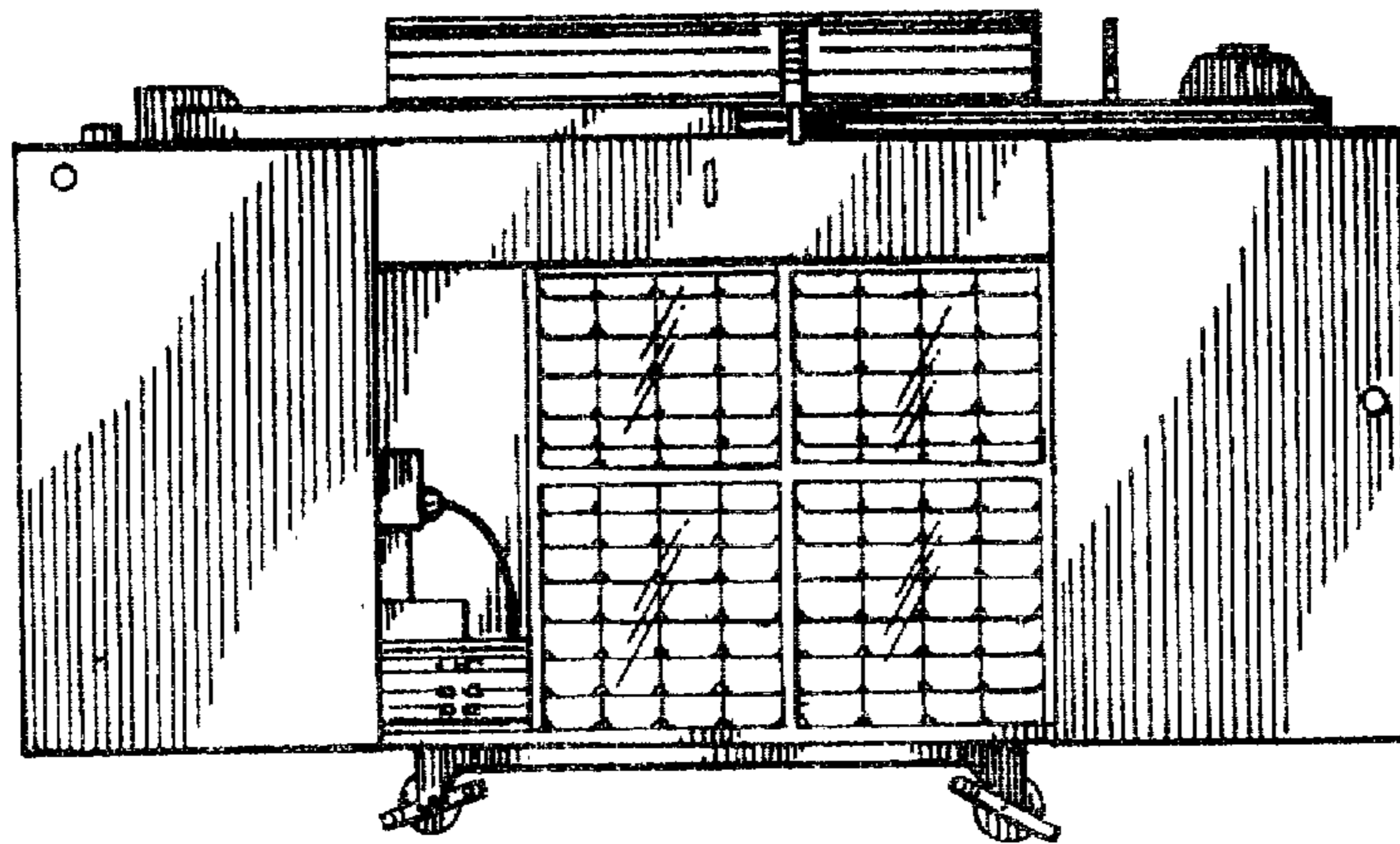


FIG. 1

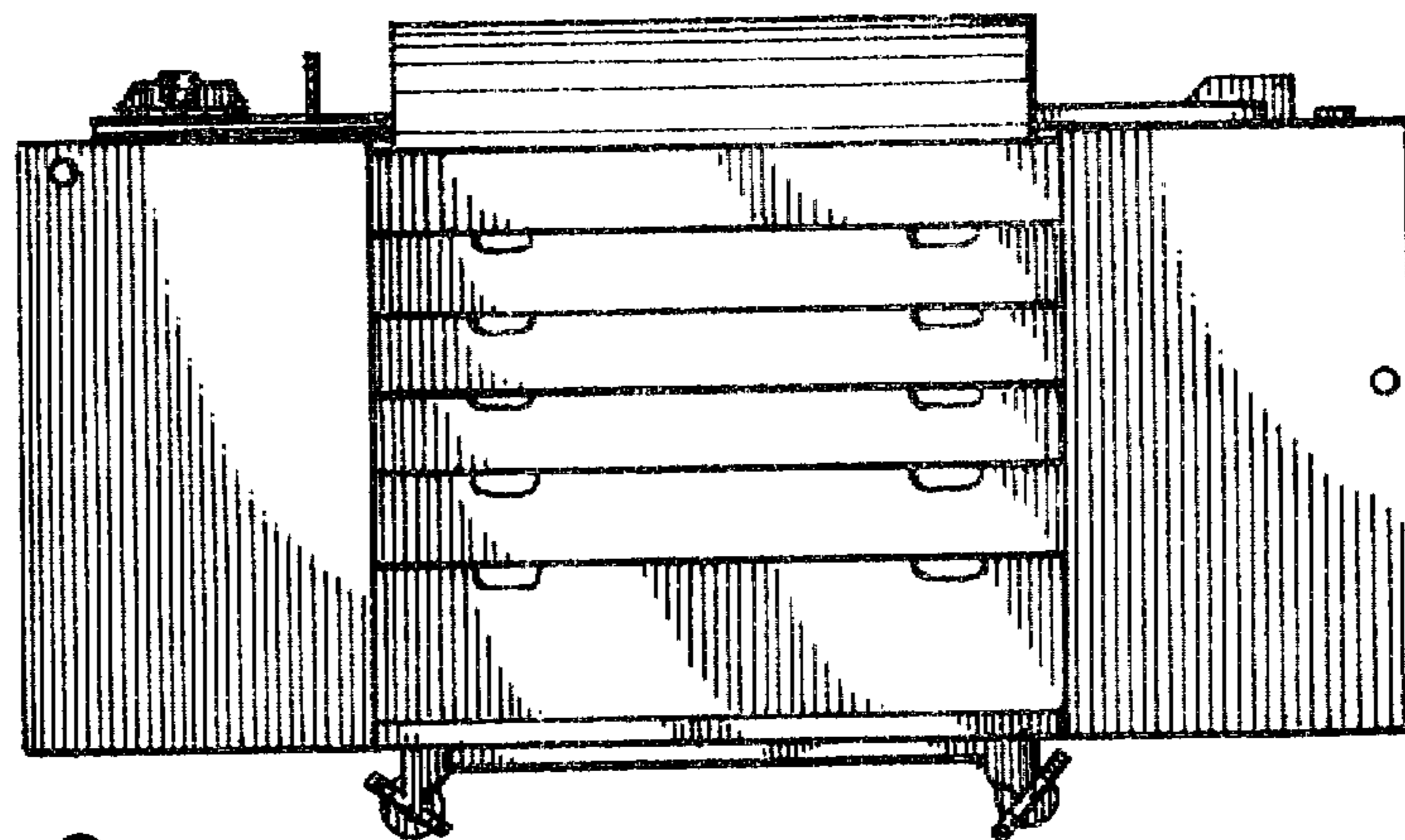


FIG. 2

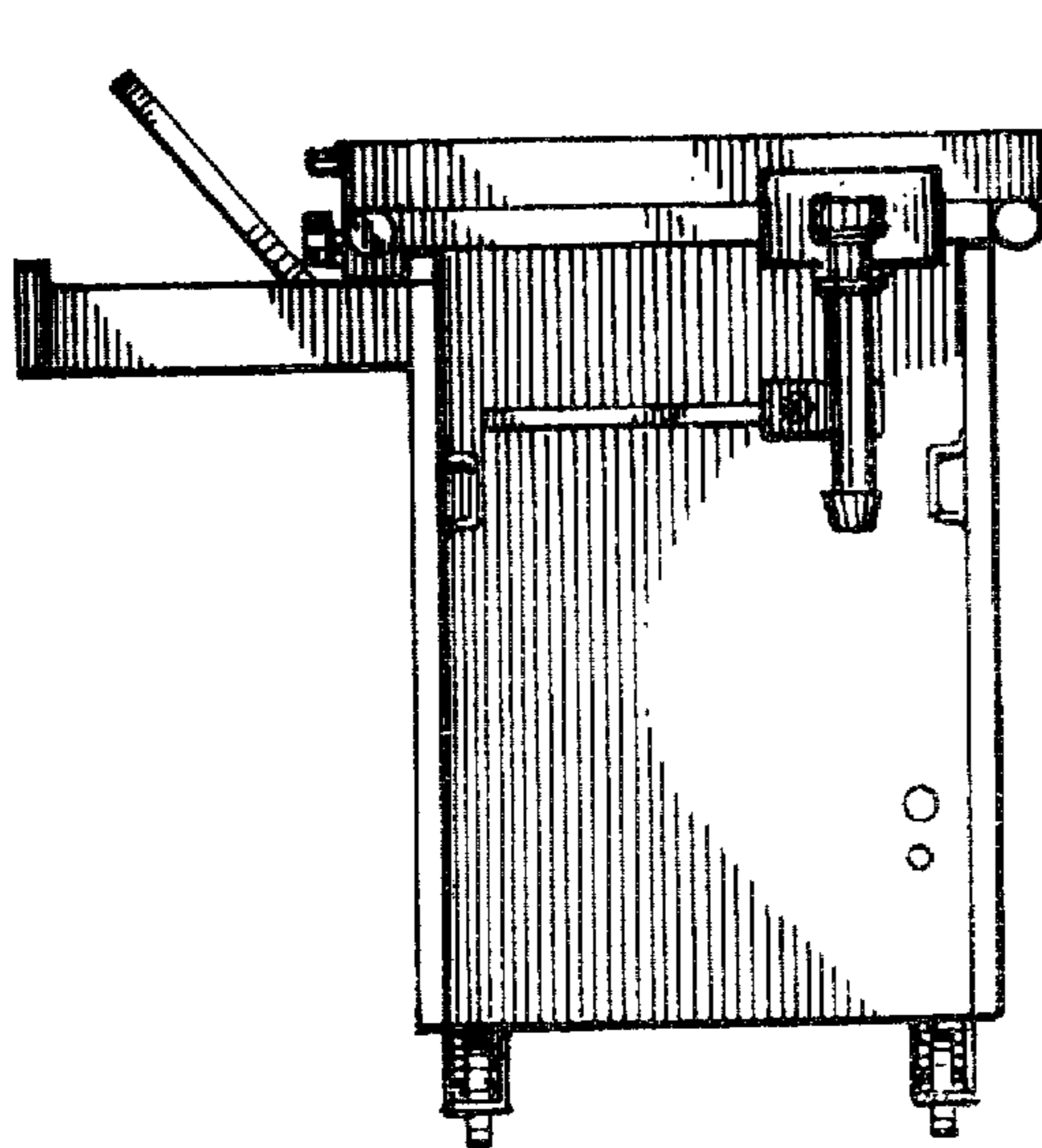


FIG. 3

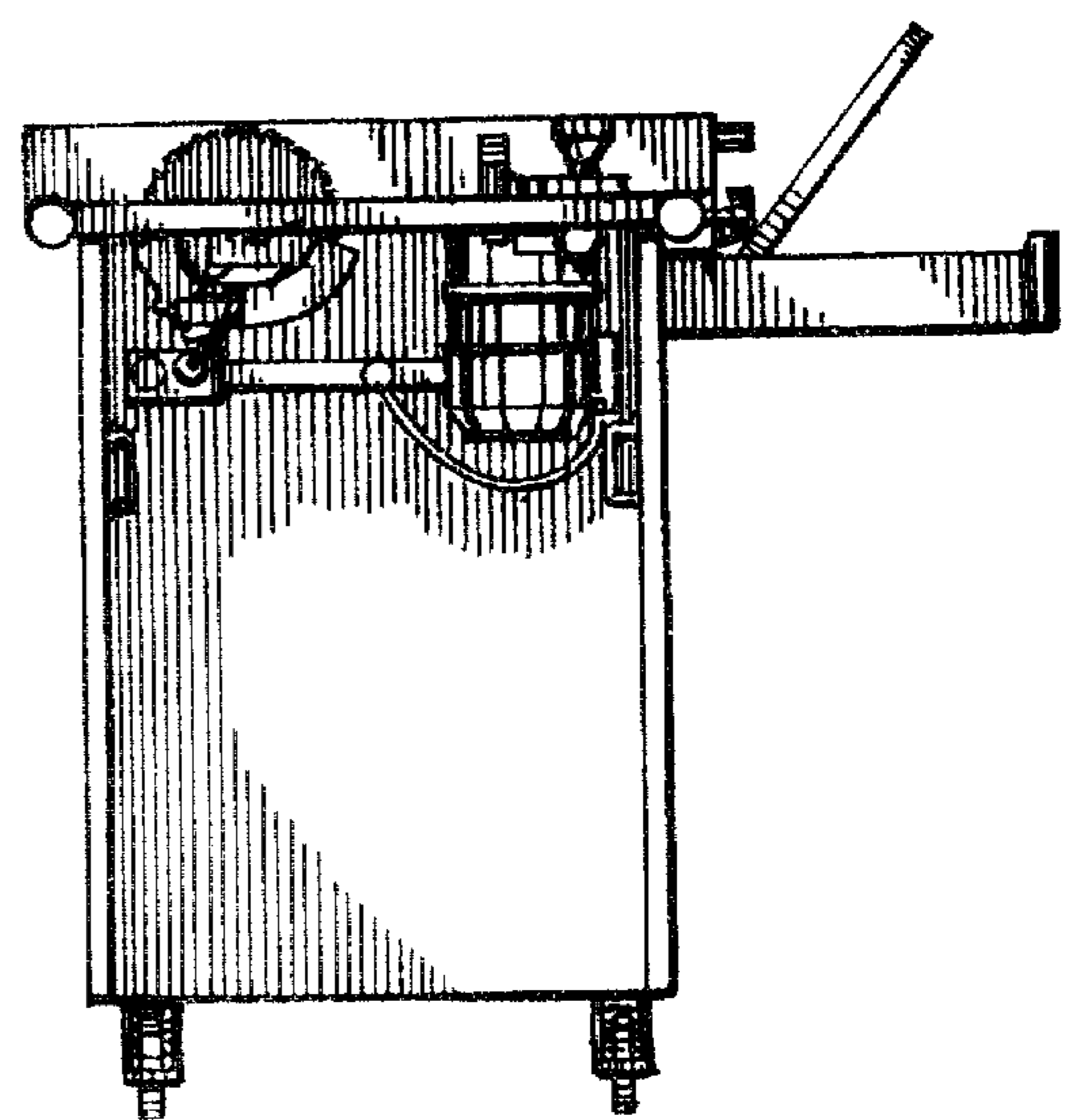


FIG. 4

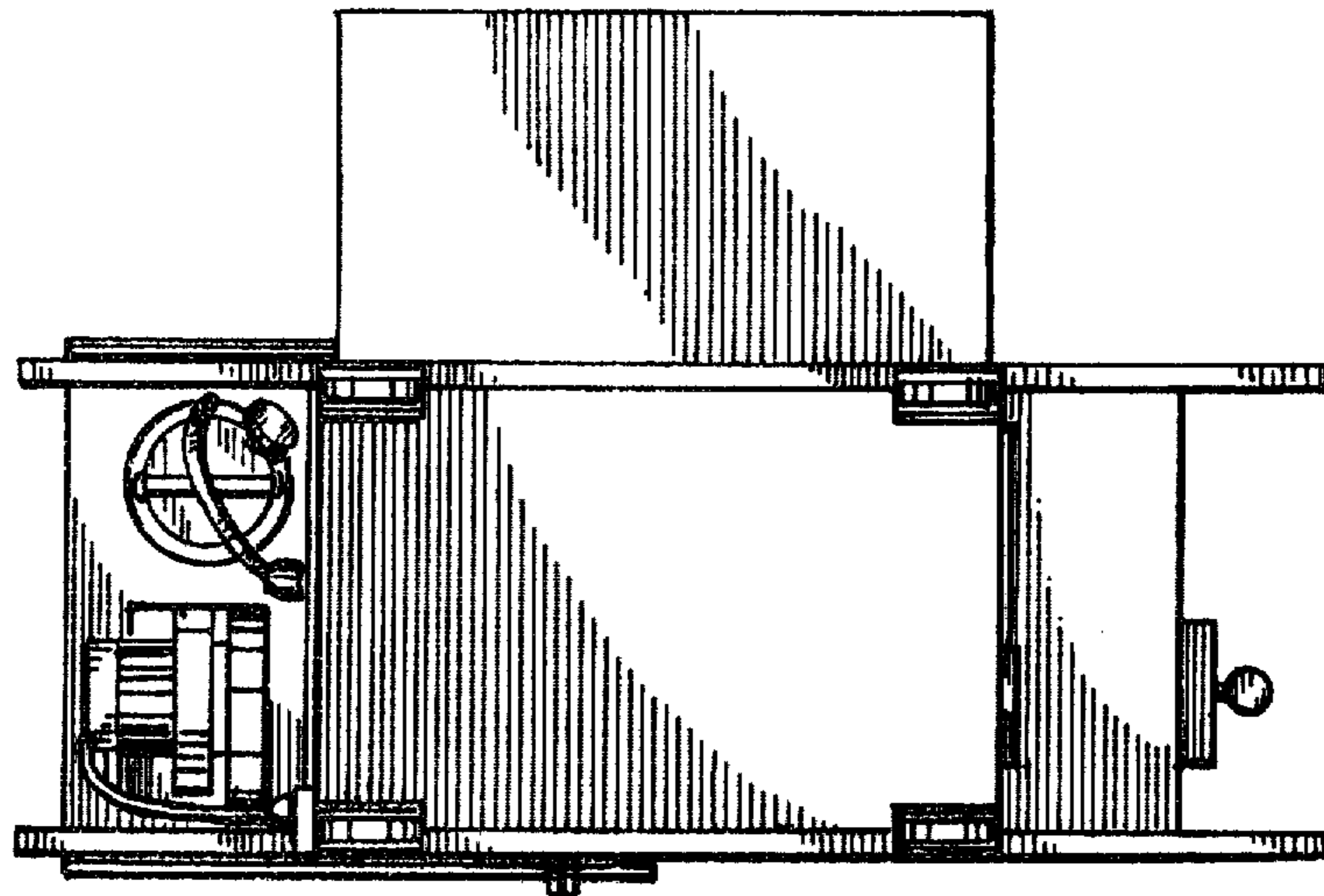


FIG. 6

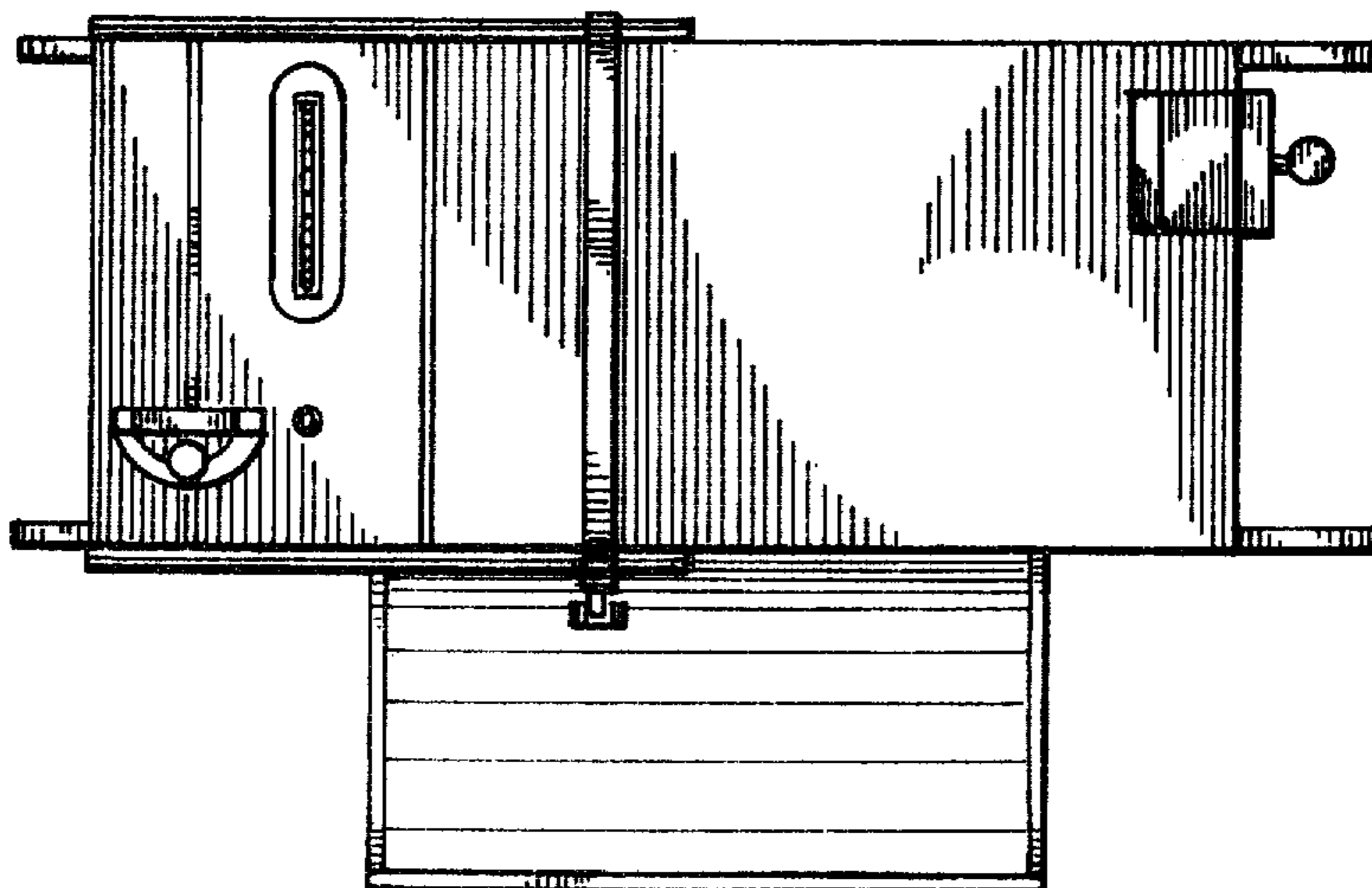


FIG. 5

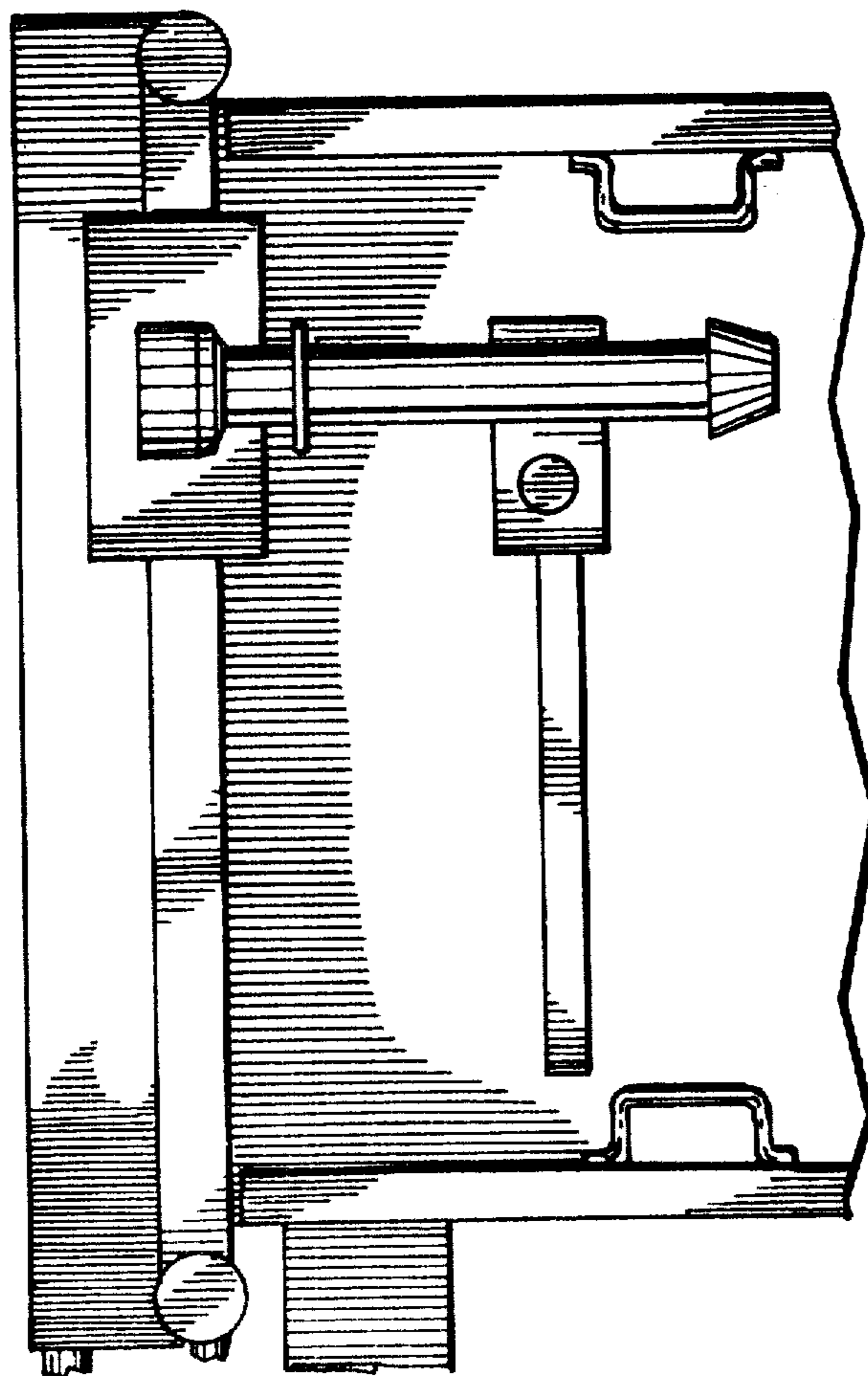


FIG. 7

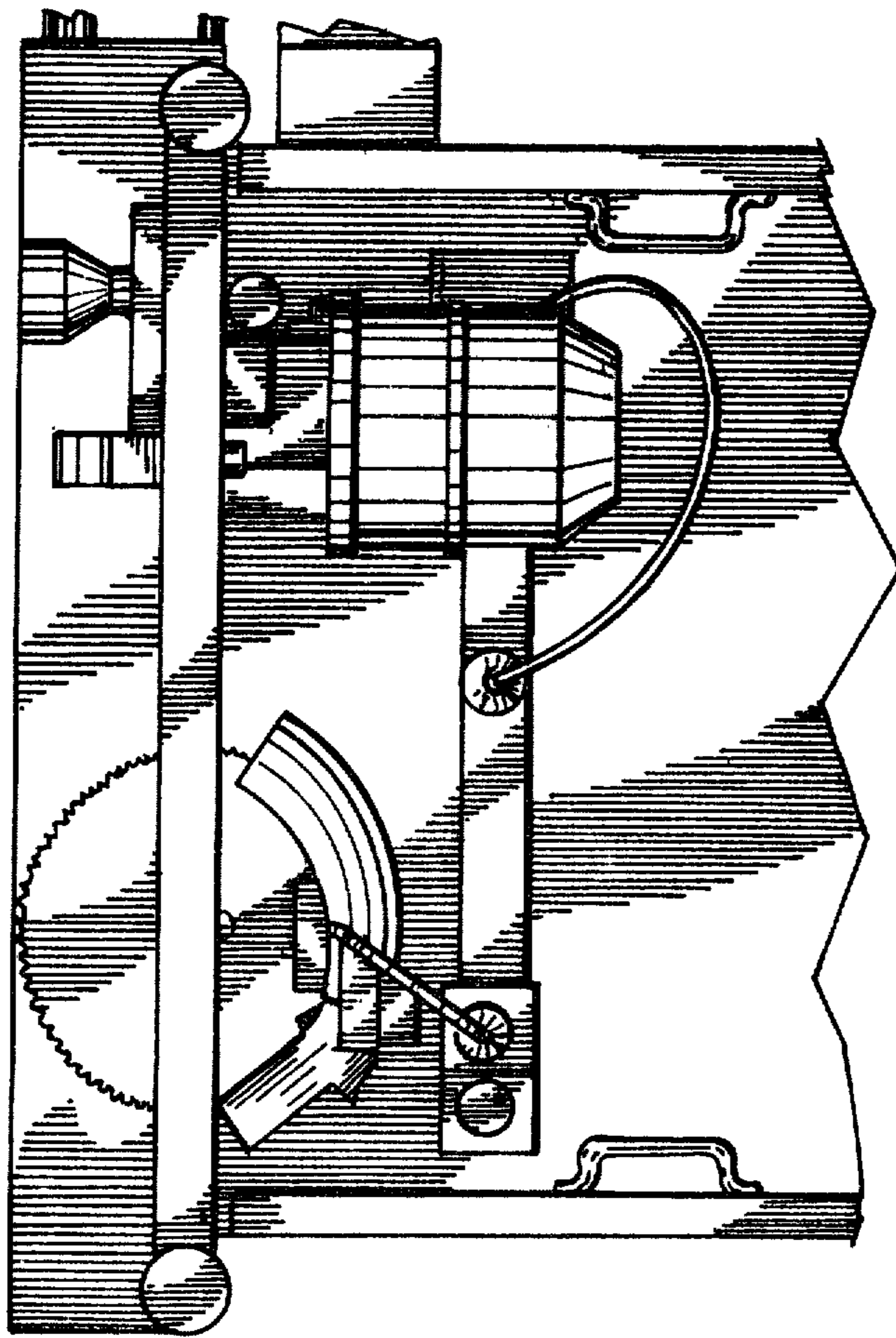


FIG. 8