

[54] COMBINED TUMBLER AND TOOTHBRUSH  
FIXTURE

D. 228,271 9/1973 Tegner ..... D6/92  
D. 262,841 2/1982 Shames ..... D6/92

[76] Inventors: **Sidney J. Shames**, 57 Holly Pl.,  
Briarcliff Manor, N.Y. 10510; **Harold  
Shames**, 5 Agnes Cir., Ardsley, N.Y.  
10502

*Primary Examiner*—Susan J. Lucas  
*Assistant Examiner*—Suzanne N. Gitlin  
*Attorney, Agent, or Firm*—Norman Lettvin

[\*\*] Term: **14 Years**

[57] **CLAIM**

[21] Appl. No.: **309,681**

The ornamental design for a combined tumbler and  
toothbrush fixture, as shown and described.

[22] Filed: **Oct. 8, 1981**

**DESCRIPTION**

[51] Int. Cl. .... **D23-02**

[52] U.S. Cl. .... **D6/92**

[58] Field of Search ..... **D6/91, 92, 93, 94, 114;**  
211/70, 71, 88, 87, 65, 66; 206/362, 372;  
248/110, 111; **D7/70**

FIG. 1 is a perspective view of a wall mounted com-  
bined tumbler and toothbrush fixture showing our new  
design;

FIG. 2 is a top plan view thereof;

FIG. 3 is a side elevational view thereof taken looking  
from the left of FIG. 2;

FIG. 4 is a front elevational view thereof.

The shading in the views is intended to represent a  
metallic reflective surface at the wall mounting end of  
the fixture as contrasted with the transparent surfaces  
for the remainder of the fixture.

[56] **References Cited**

**U.S. PATENT DOCUMENTS**

D. 150,761 8/1948 Gardner ..... D6/90  
D. 197,760 3/1964 Schreckengost ..... D6/92

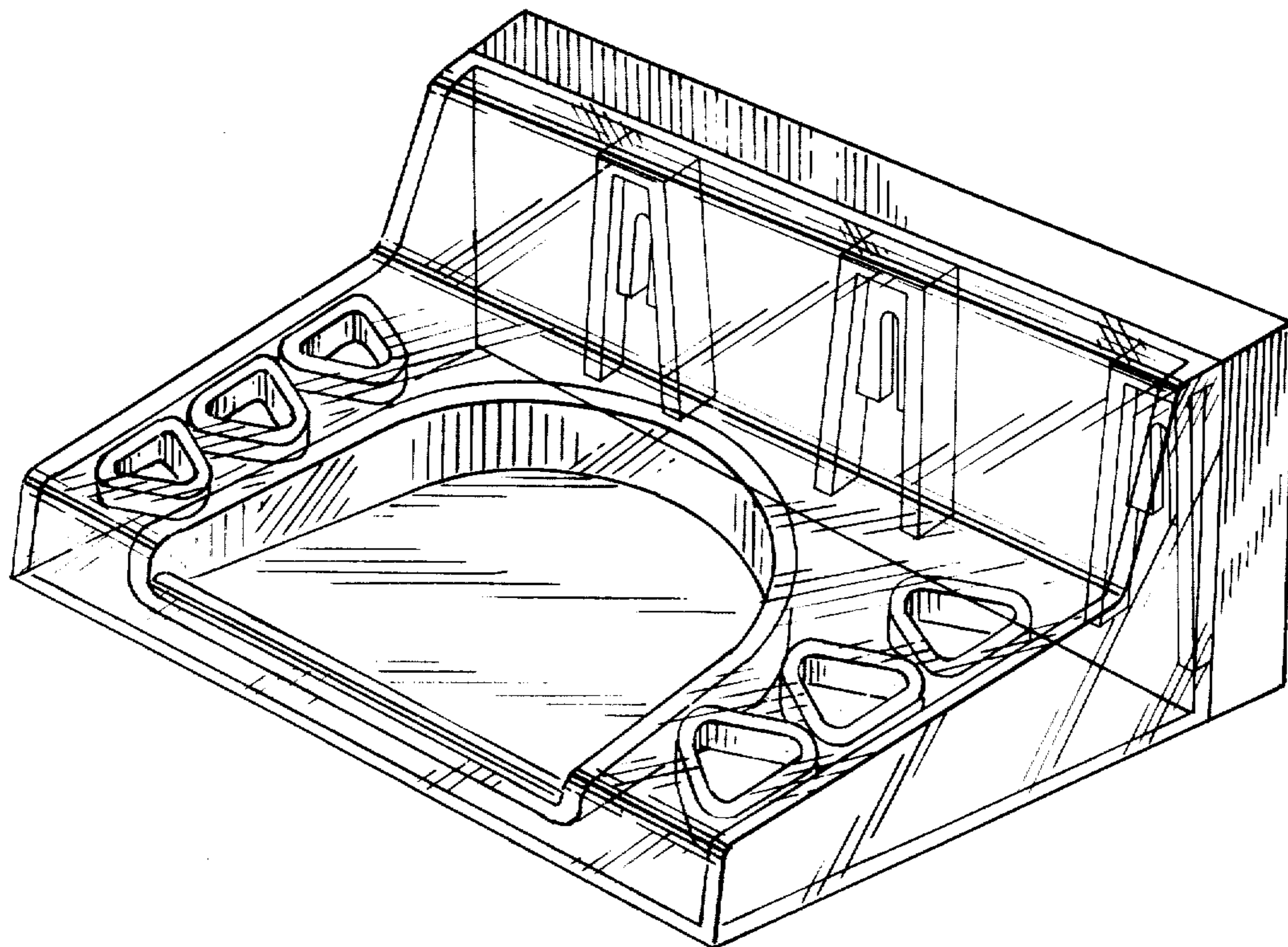


FIG. 1

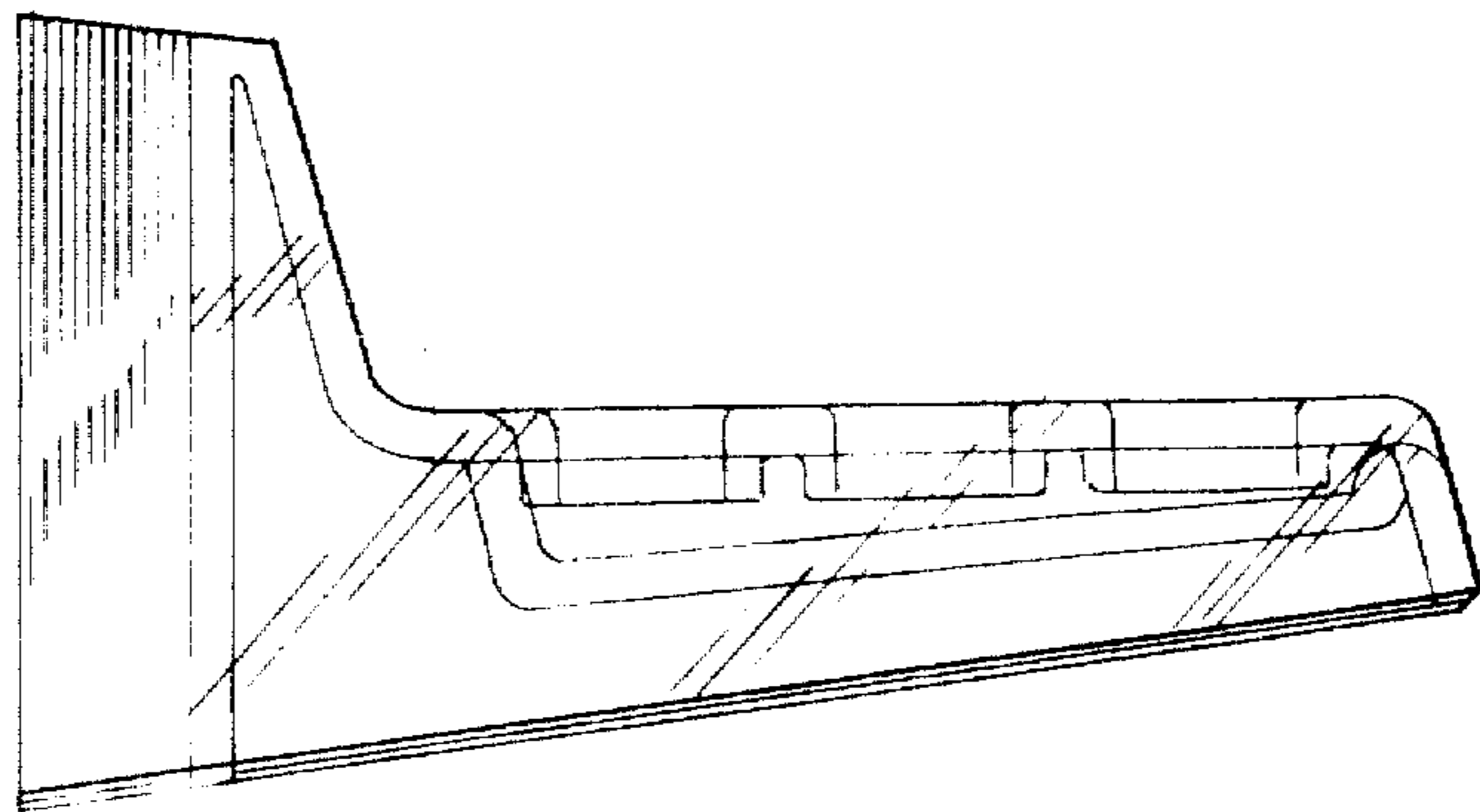
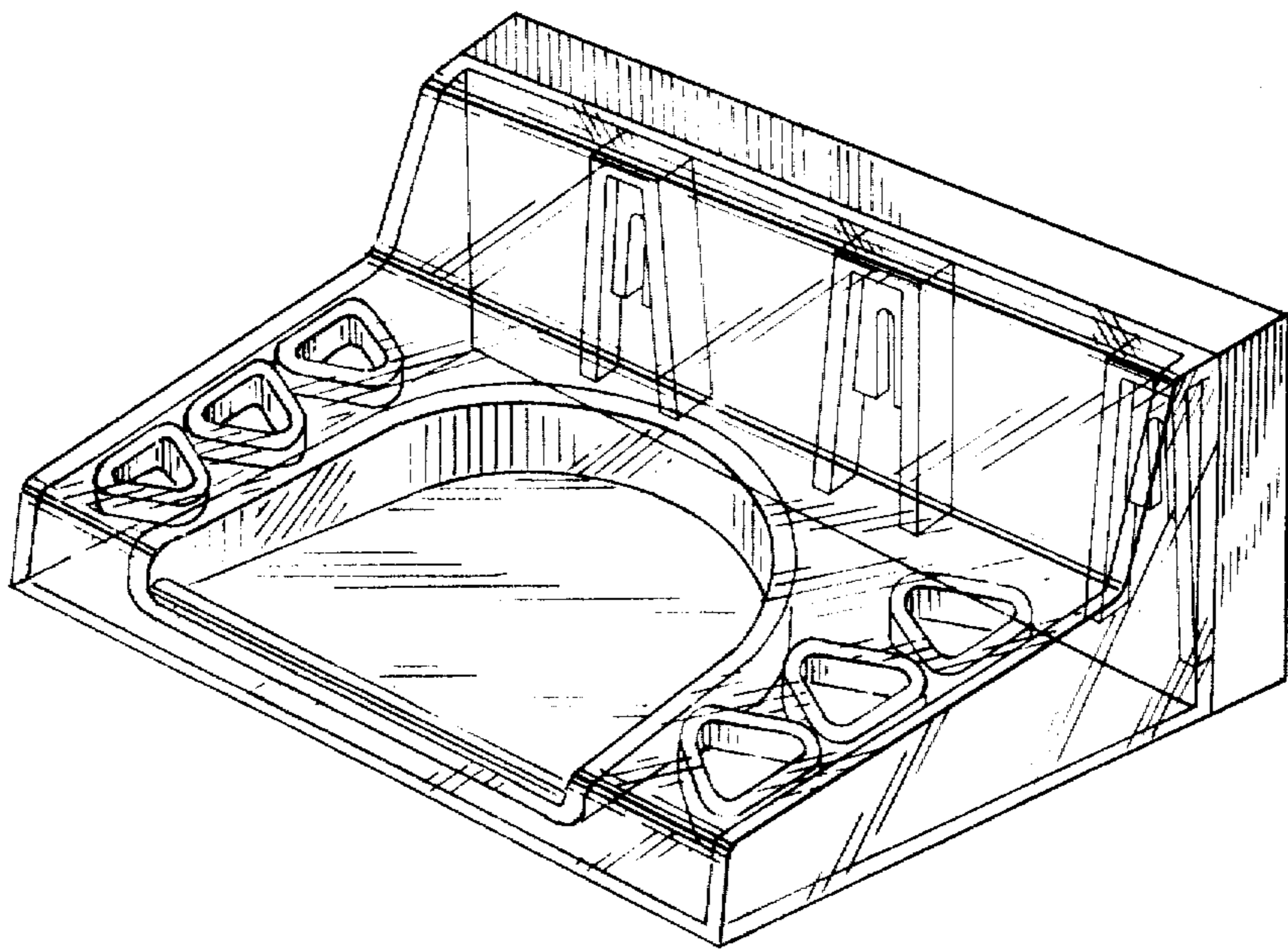


FIG. 3

FIG. 2

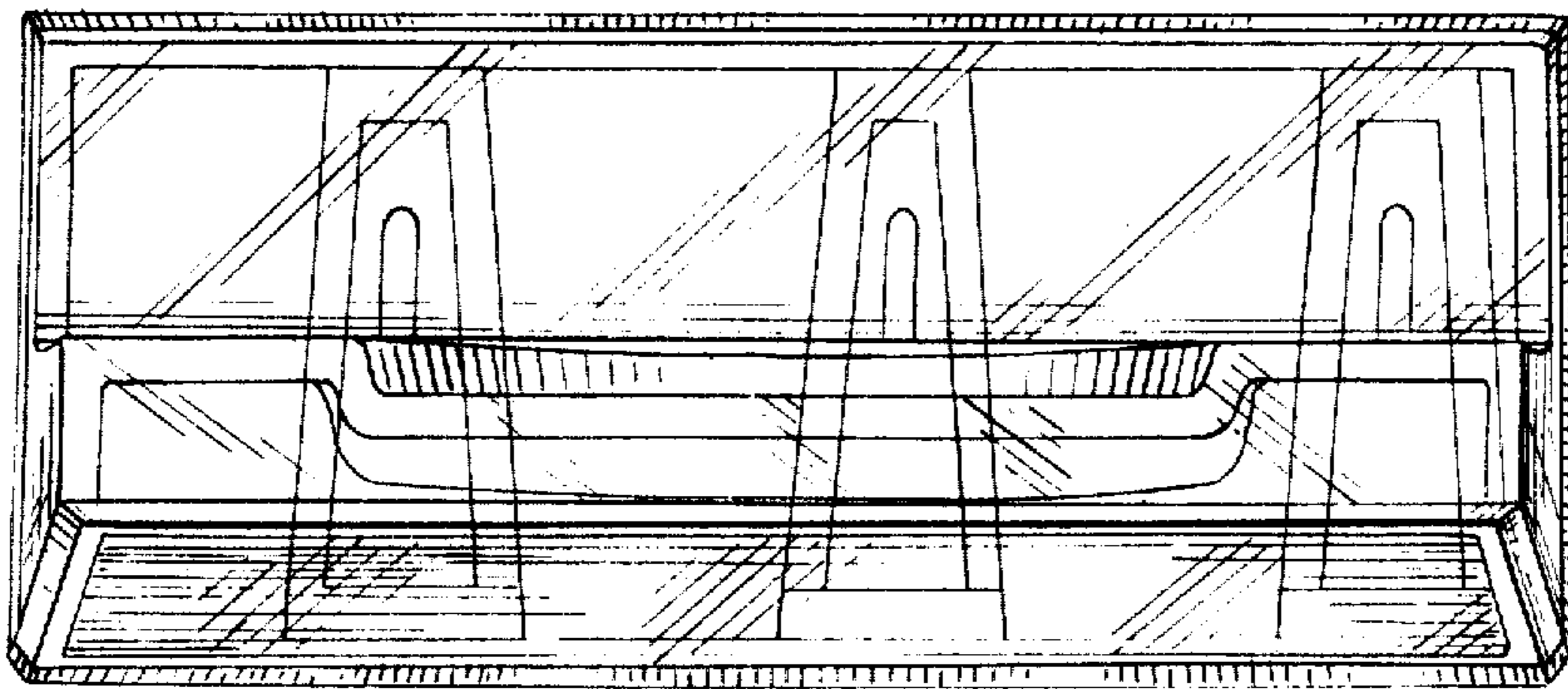
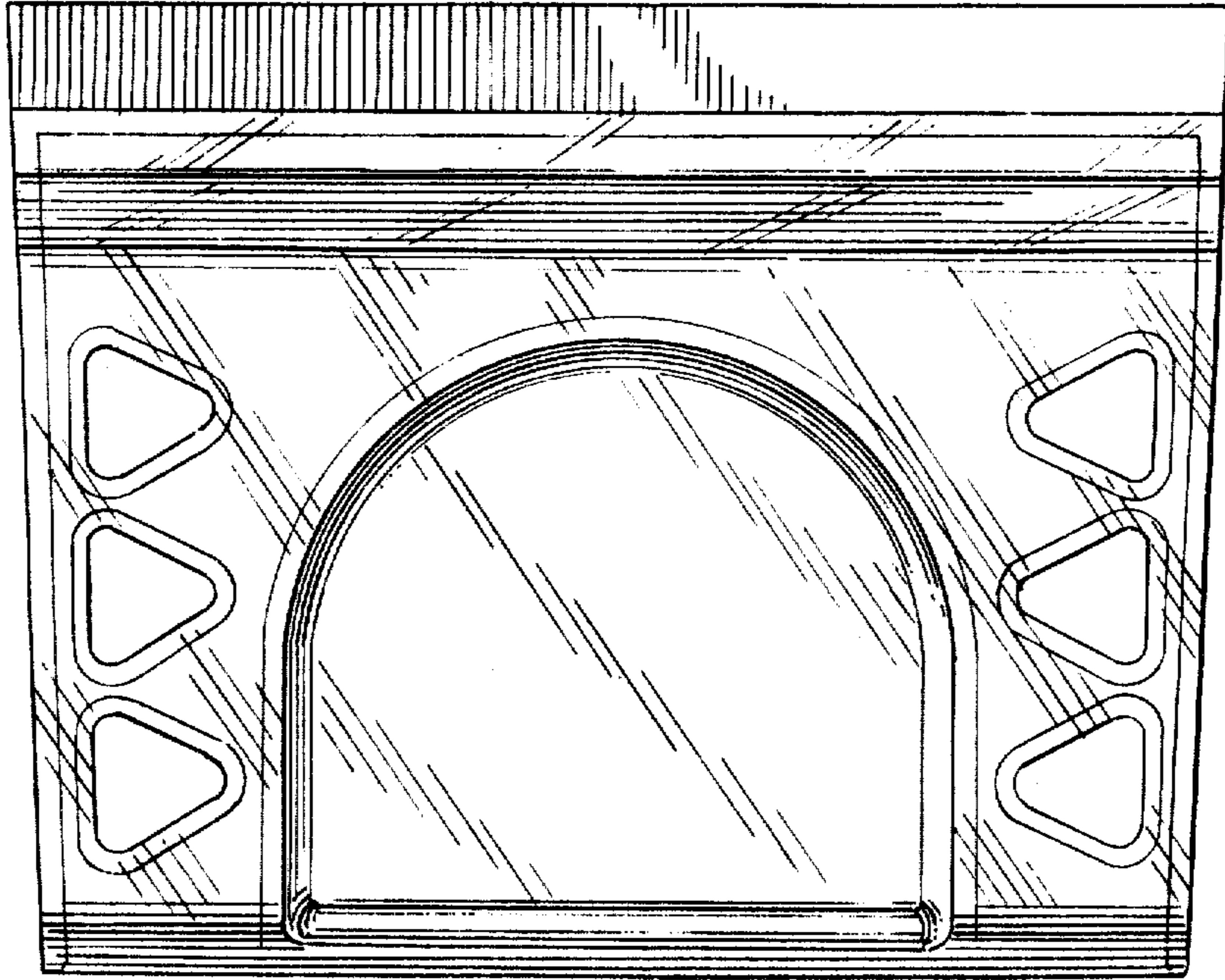


FIG. 4