

[54] COMBINED STATIONARY TABLE AND ROTATABLE LOUNGE SEATING UNIT

[76] Inventor: James W. Morris, Jr., 2320 Overton Rd., Augusta, Ga. 30904

[**] Term: 14 Years

[21] Appl. No.: 289,698

[22] Filed: Aug. 3, 1981

[51] Int. Cl. D6-05

[52] U.S. Cl. D6/42; D6/4; D6/26; D6/38

[58] Field of Search D6/29, 37-39, D6/47-78

[56] References Cited

U.S. PATENT DOCUMENTS

- D. 180,982 9/1957 Woodward D6/37
- D. 265,952 8/1982 Theodore D6/45
- 3,563,579 2/1971 Reiner D6/29 X

OTHER PUBLICATIONS

Interiors, Dec. 1979, p. 30, Chair by Telescope.

Primary Examiner—Bruce W. Dunkins
Attorney, Agent, or Firm—Harry W. F. Glemser

[57] CLAIM

The ornamental design for a combined stationary table and rotatable lounge seating unit, as shown and described.

DESCRIPTION

FIG. 1 is an exploded front perspective view of a combined stationary table and rotatable lounge seating unit showing my design.

FIG. 2 is a front elevational view of the assembled components;

FIG. 3 is a plan view;

FIG. 4 is a right side elevational view;

FIG. 5 is a rear elevational view;

FIG. 6 is an exploded perspective view showing the principal components of a modification of my new design shown in FIGS. 1 to 5;

FIG. 7 is a front elevational view of the assembled components shown in FIG. 6;

FIG. 8 is a plan view thereof;

FIG. 9 is a right side elevational view; and

FIG. 10 is a rear elevational view.

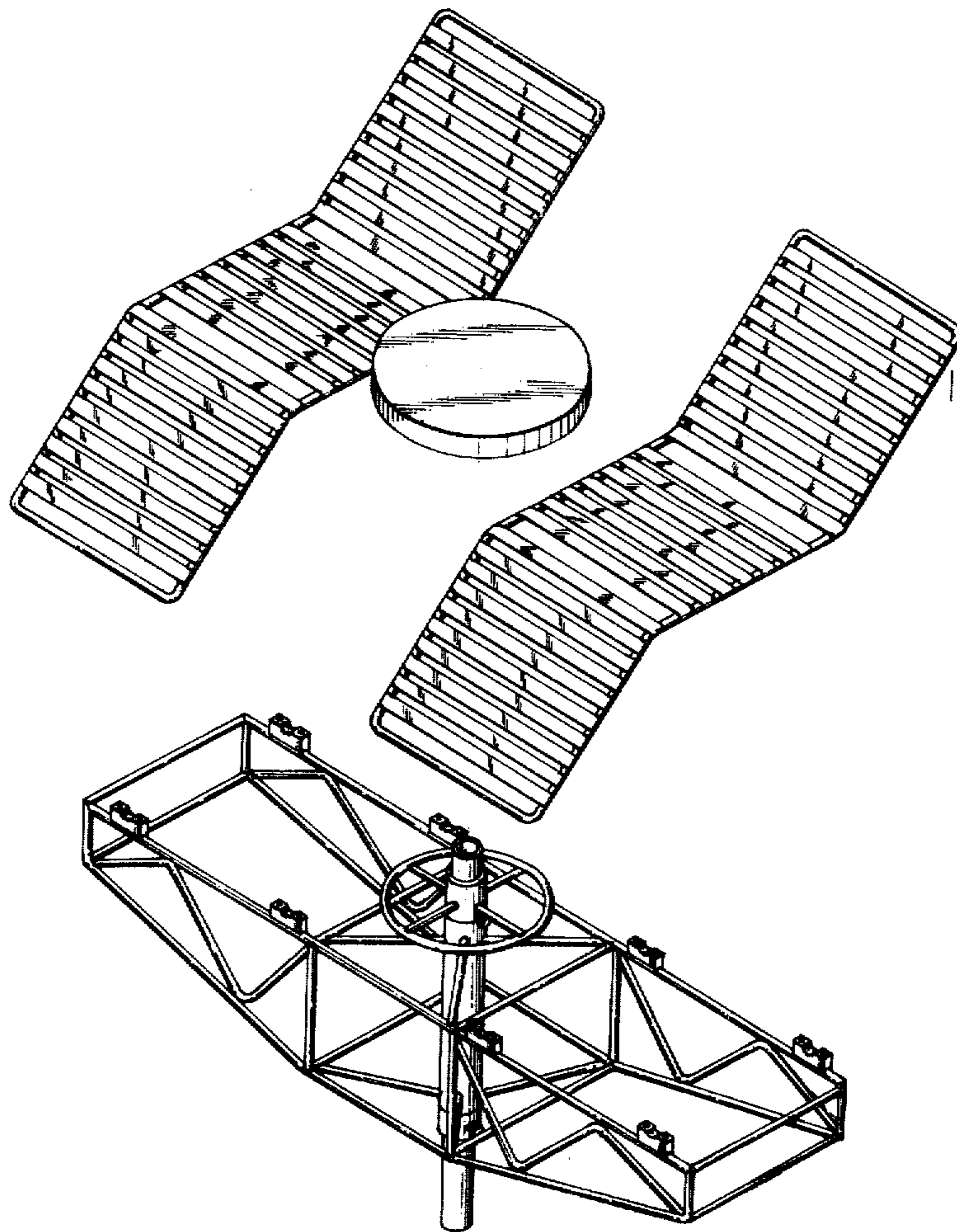


Fig. 1

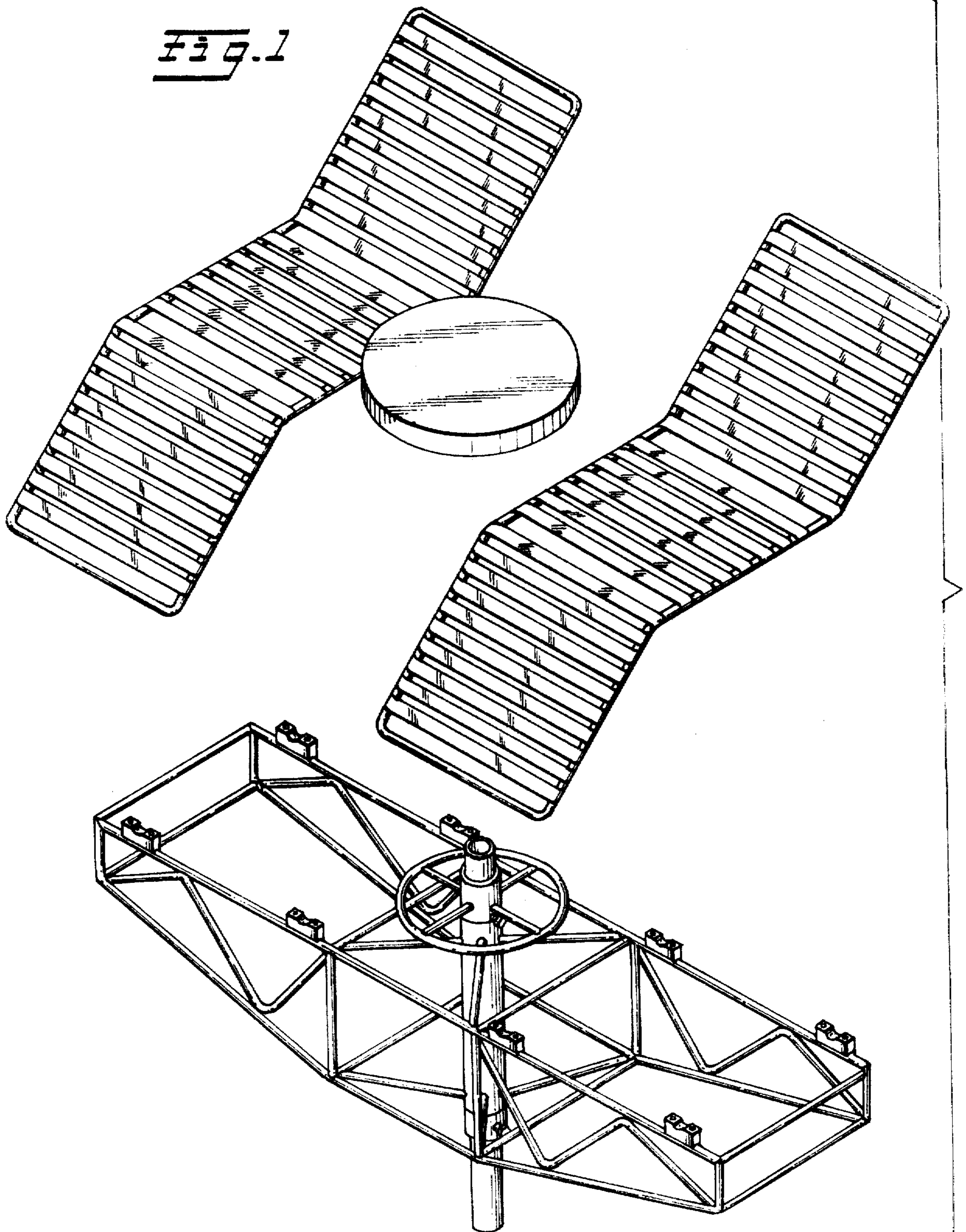


Fig. 3

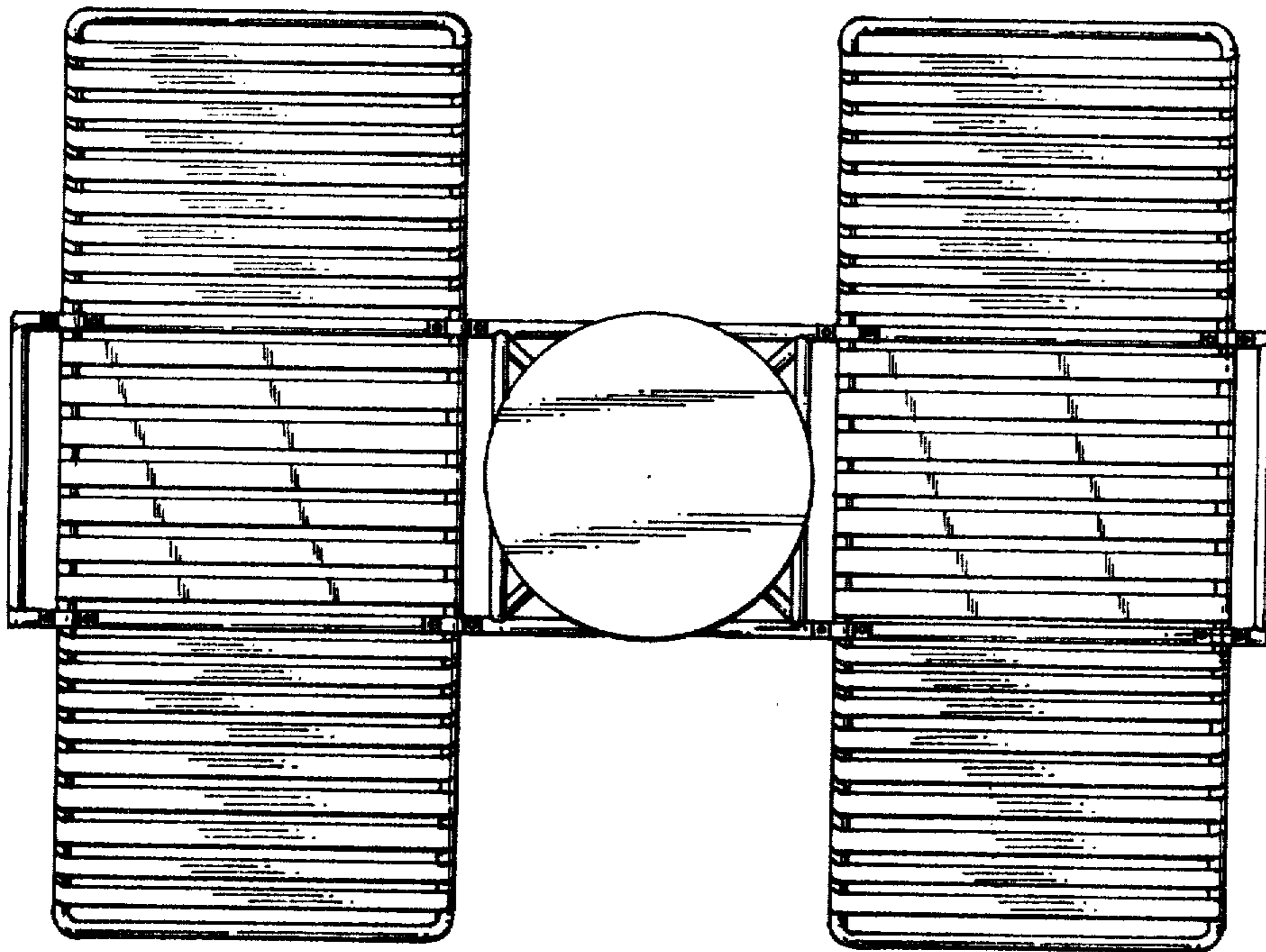
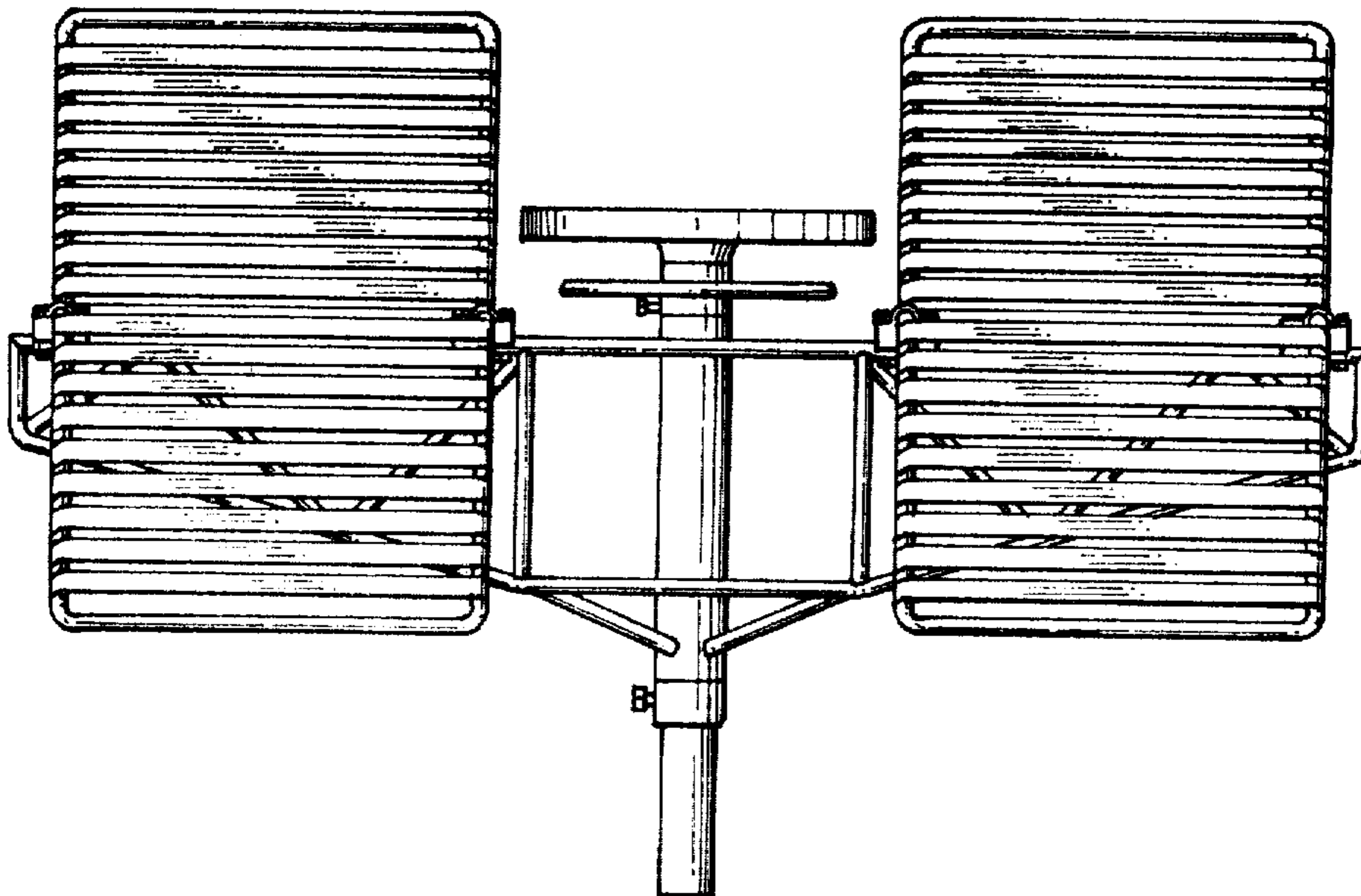


Fig. 2



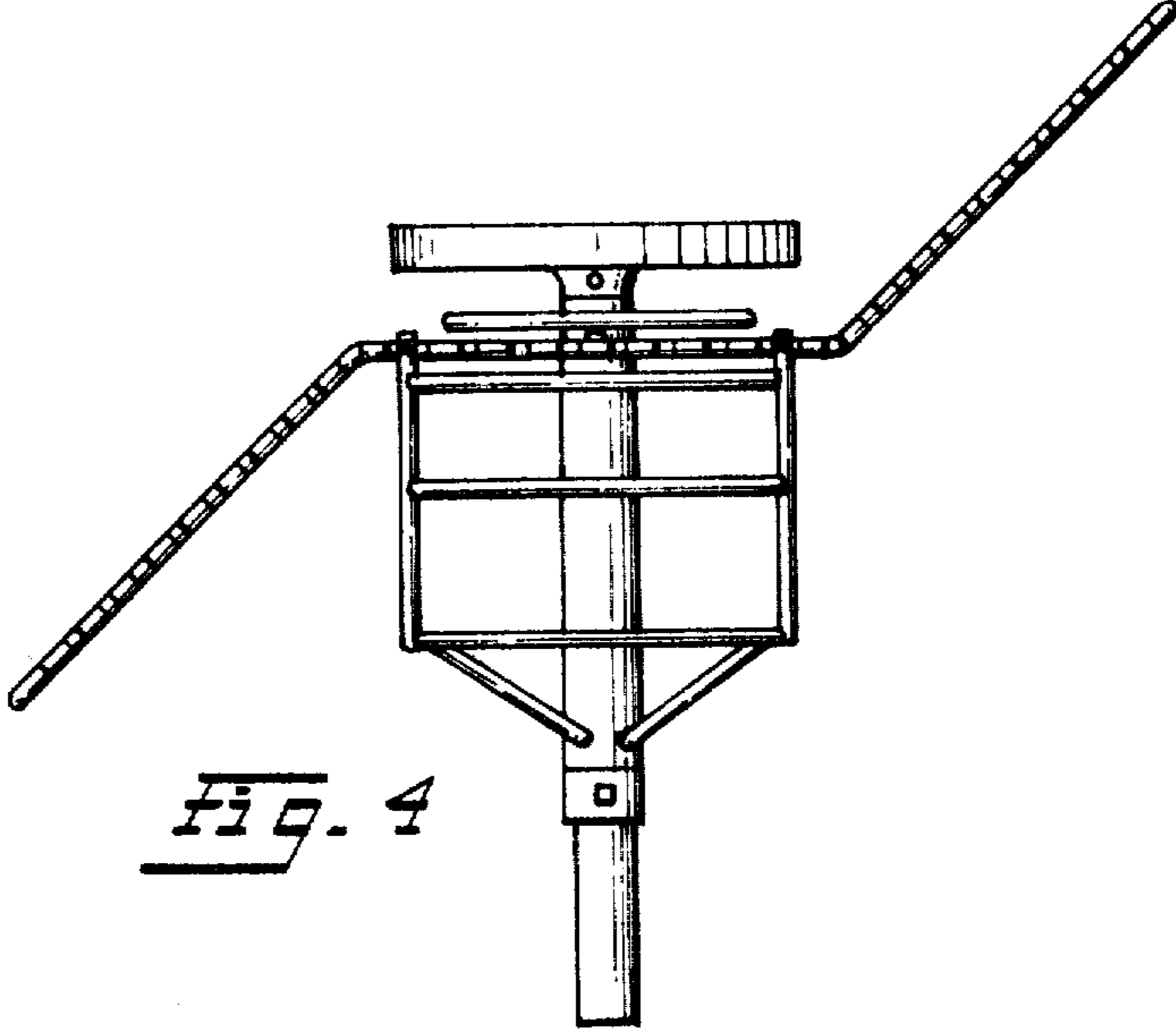


Fig. 4

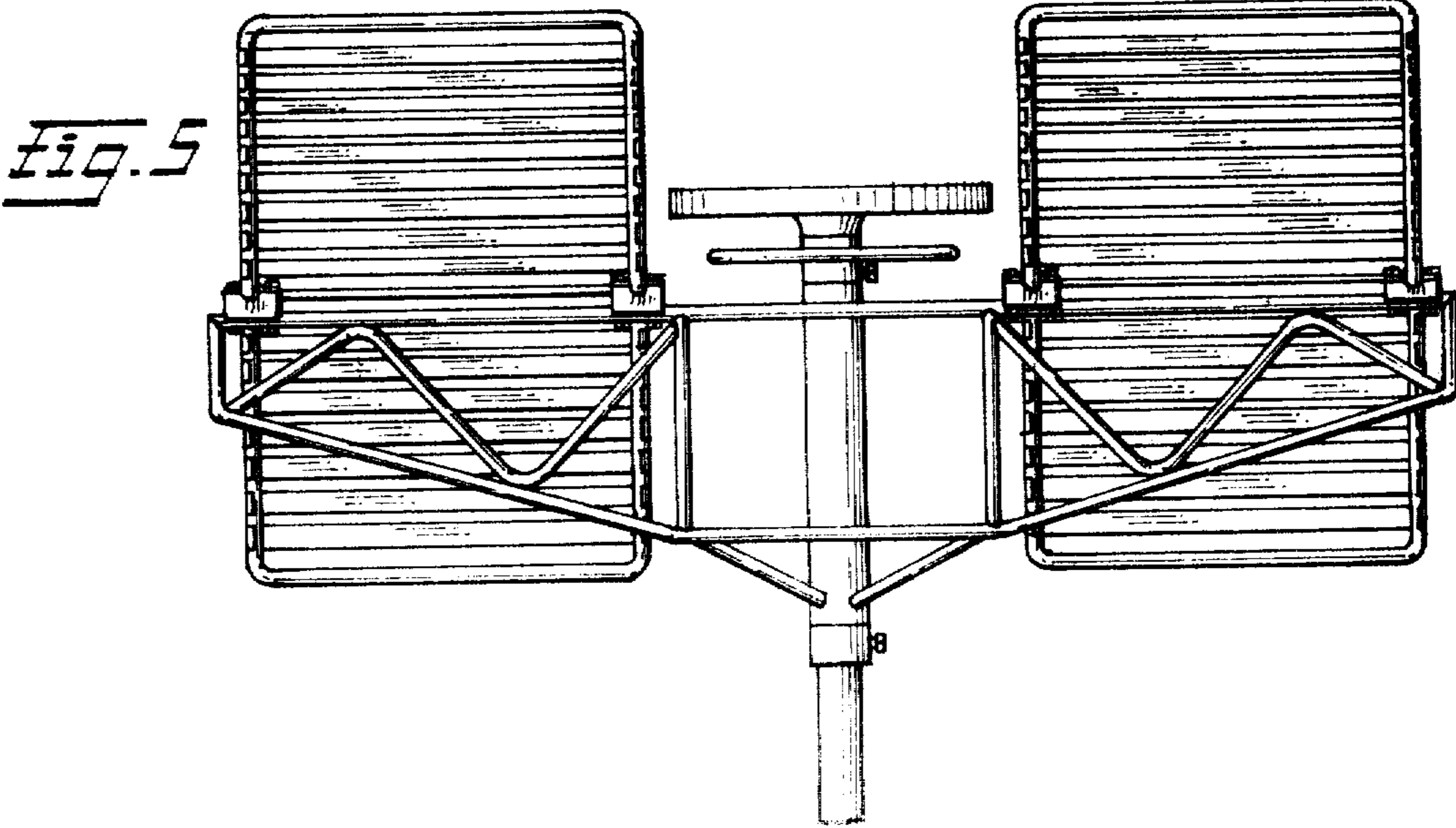


Fig. 5

Fig. 6.

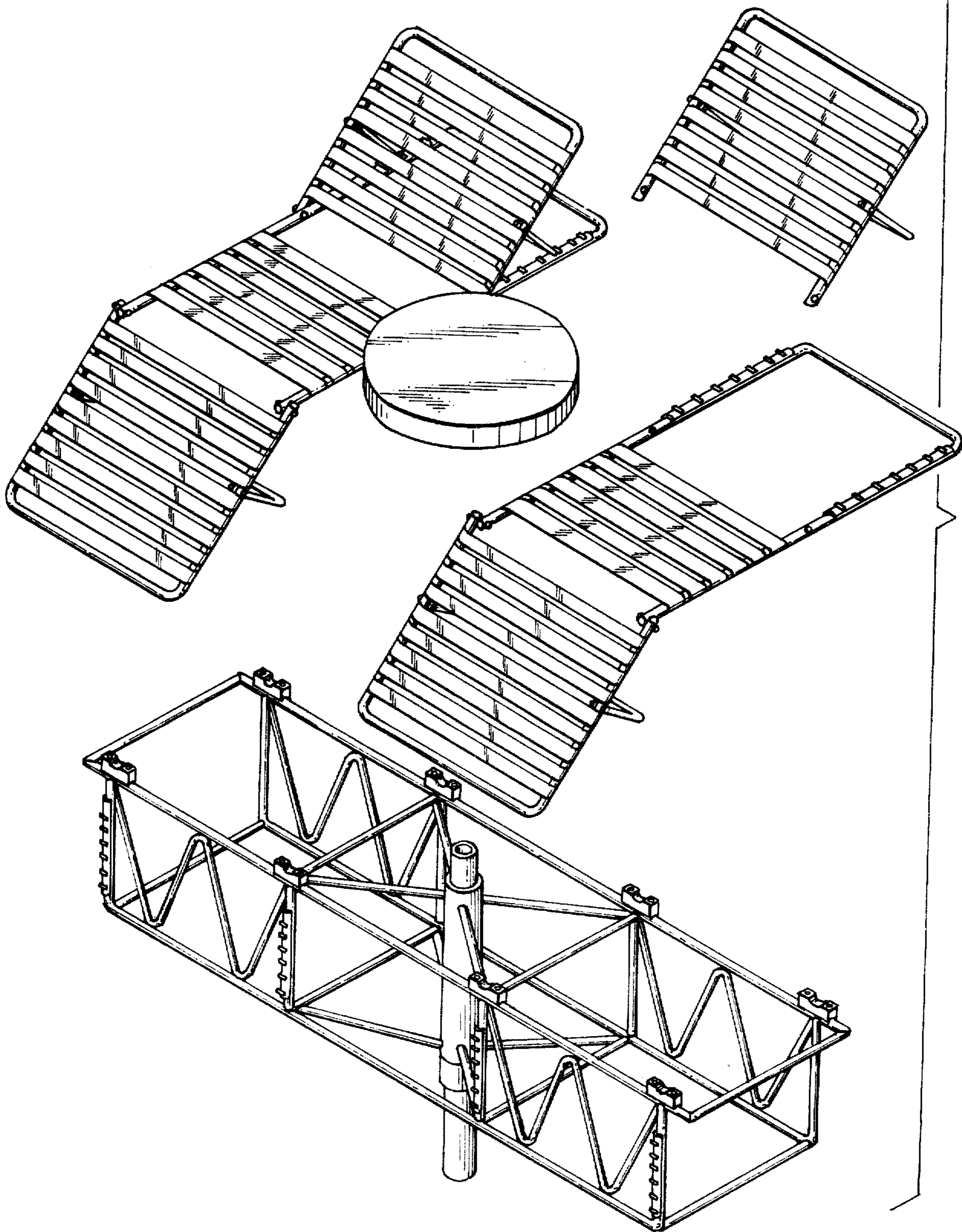


Fig. 6.

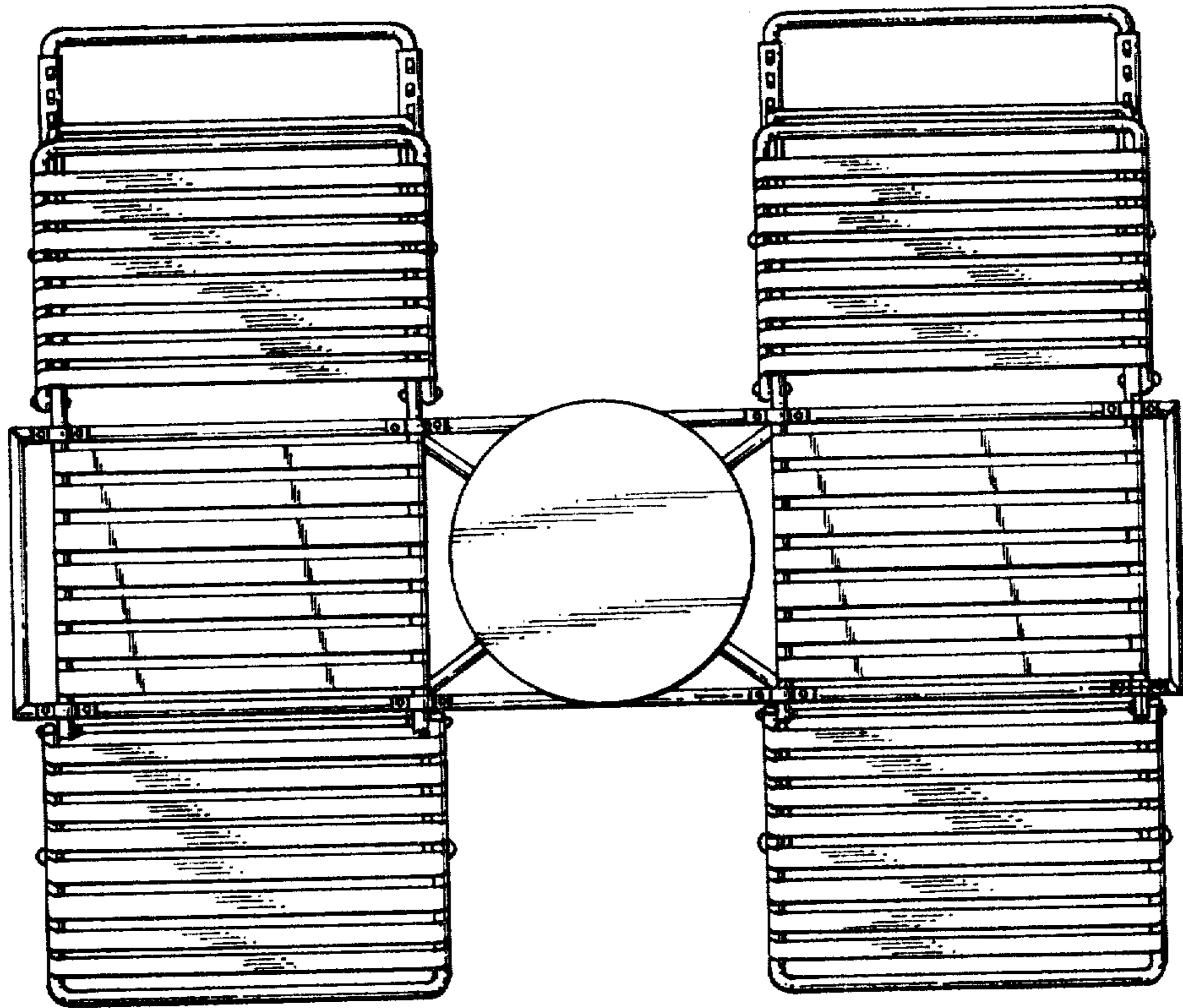


Fig. 7.

