

[54] HAIR DRYER

[75] Inventors: Noboru Abe, Suita, Japan; Florian Seiffert, Grünwald, Fed. Rep. of Germany

[73] Assignee: Matsushita Electric Works, Ltd., Osaka, Japan

[\*\*] Term: 14 Years

[21] Appl. No.: 338,663

[22] Filed: Jan. 11, 1982

[30] Foreign Application Priority Data

Jul. 29, 1981 [JP] Japan ..... 56-33668

[51] Int. Cl. .... D28-03

[52] U.S. Cl. .... D28/12

[58] Field of Search ..... D28/9-19; 219/222; 34/96-101; 132/7, 9

[56] References Cited

U.S. PATENT DOCUMENTS

- D. 218,543 8/1970 Rams ..... D28/13
- D. 248,575 7/1978 Janssens ..... D28/12
- D. 265,514 7/1982 Abe et al. .... D28/12

FOREIGN PATENT DOCUMENTS

D.283414 5/1968 Japan .

OTHER PUBLICATIONS

House & Garden, 5/1973, p. 140, items at bottom right, Sanyo Hair Dryer.

Primary Examiner—Louis S. Zarfes  
Attorney, Agent, or Firm—Stevens, Davis, Miller & Mosher

[57] CLAIM

The ornamental design for hair dryer, as shown and described.

DESCRIPTION

FIG. 1 is a top plan view of a hair dryer showing our new design.

FIG. 2 is a bottom plan view of the design of FIG. 1.

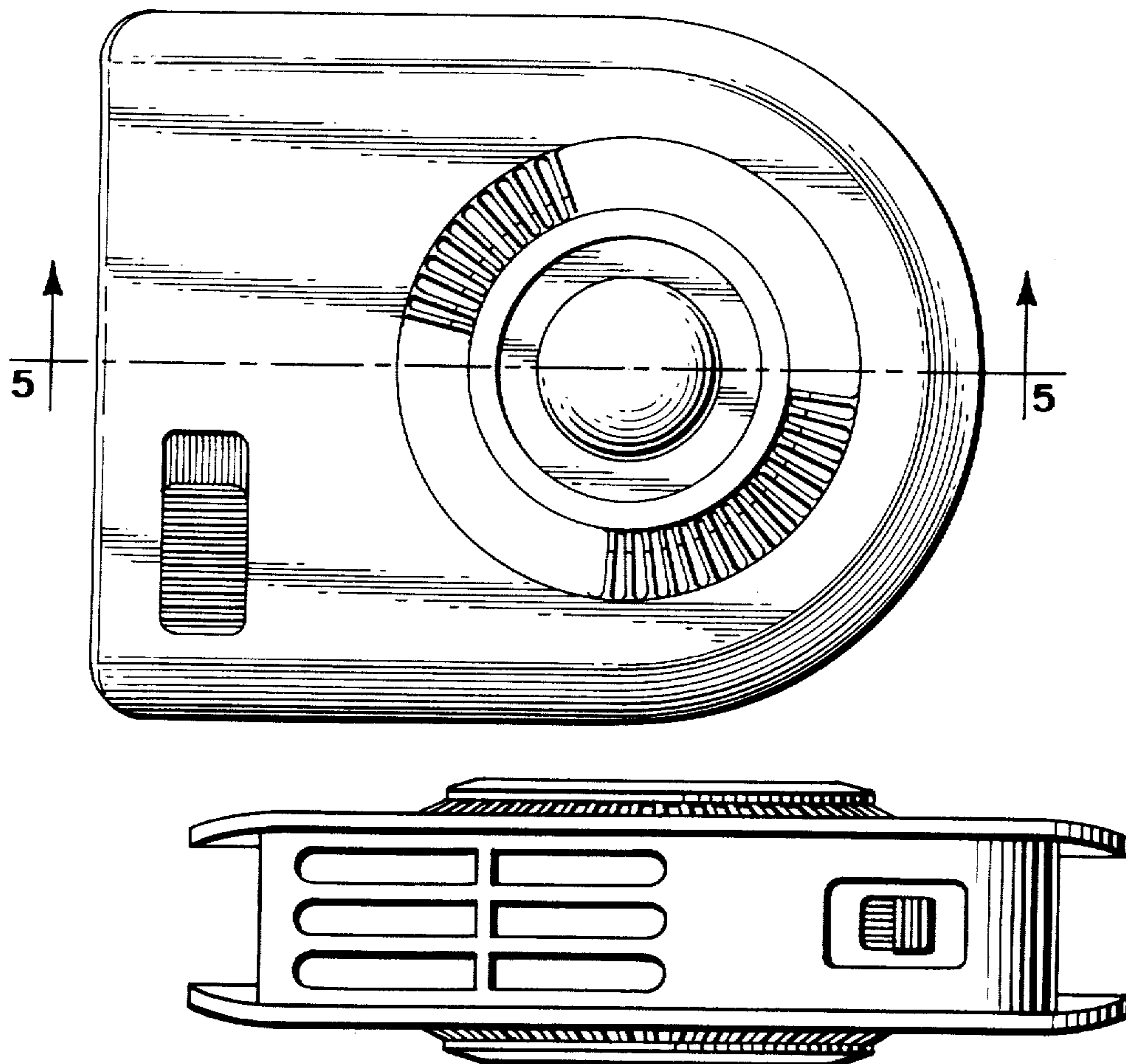
FIG. 3 is a right side elevational view of the design of FIG. 1.

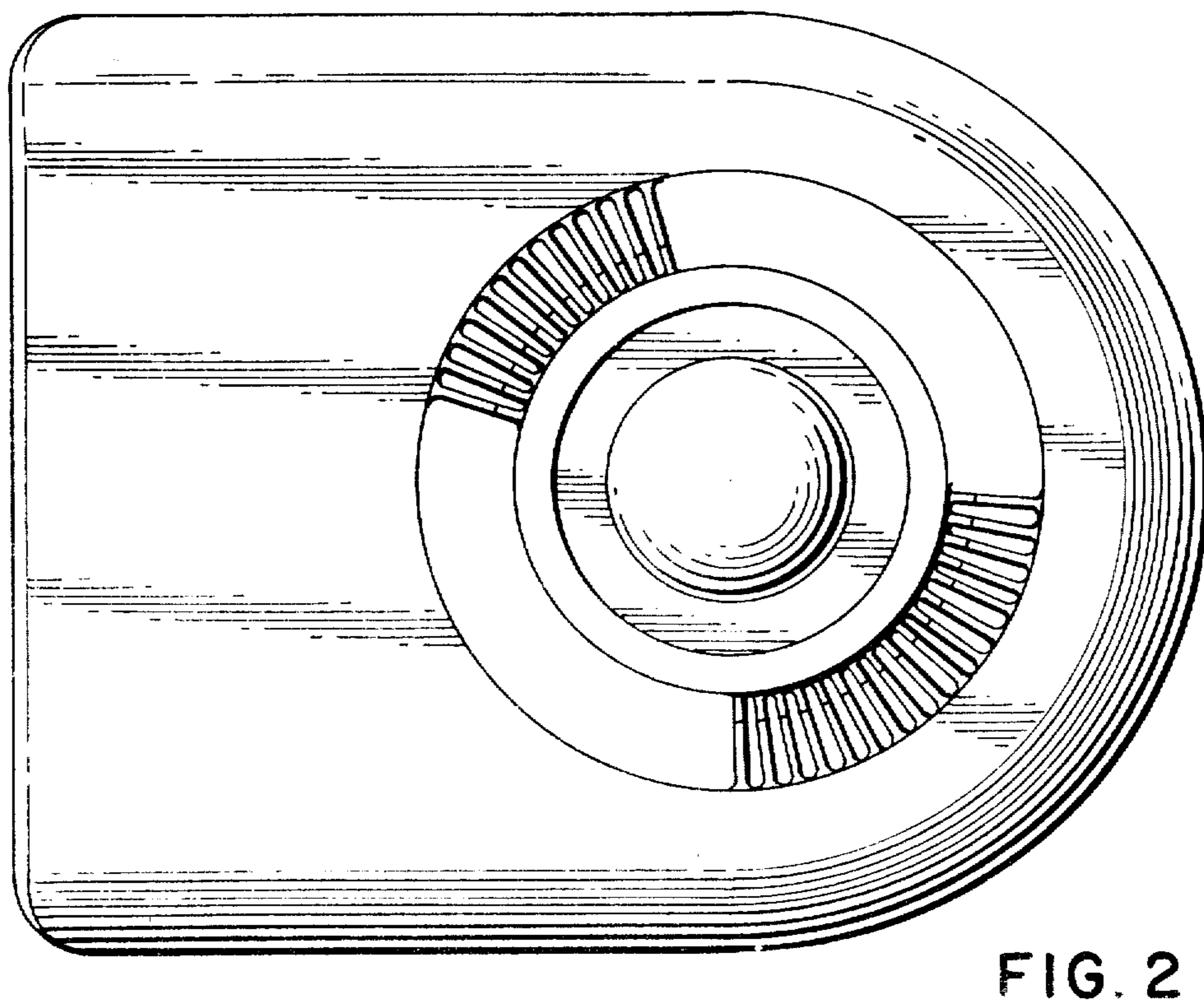
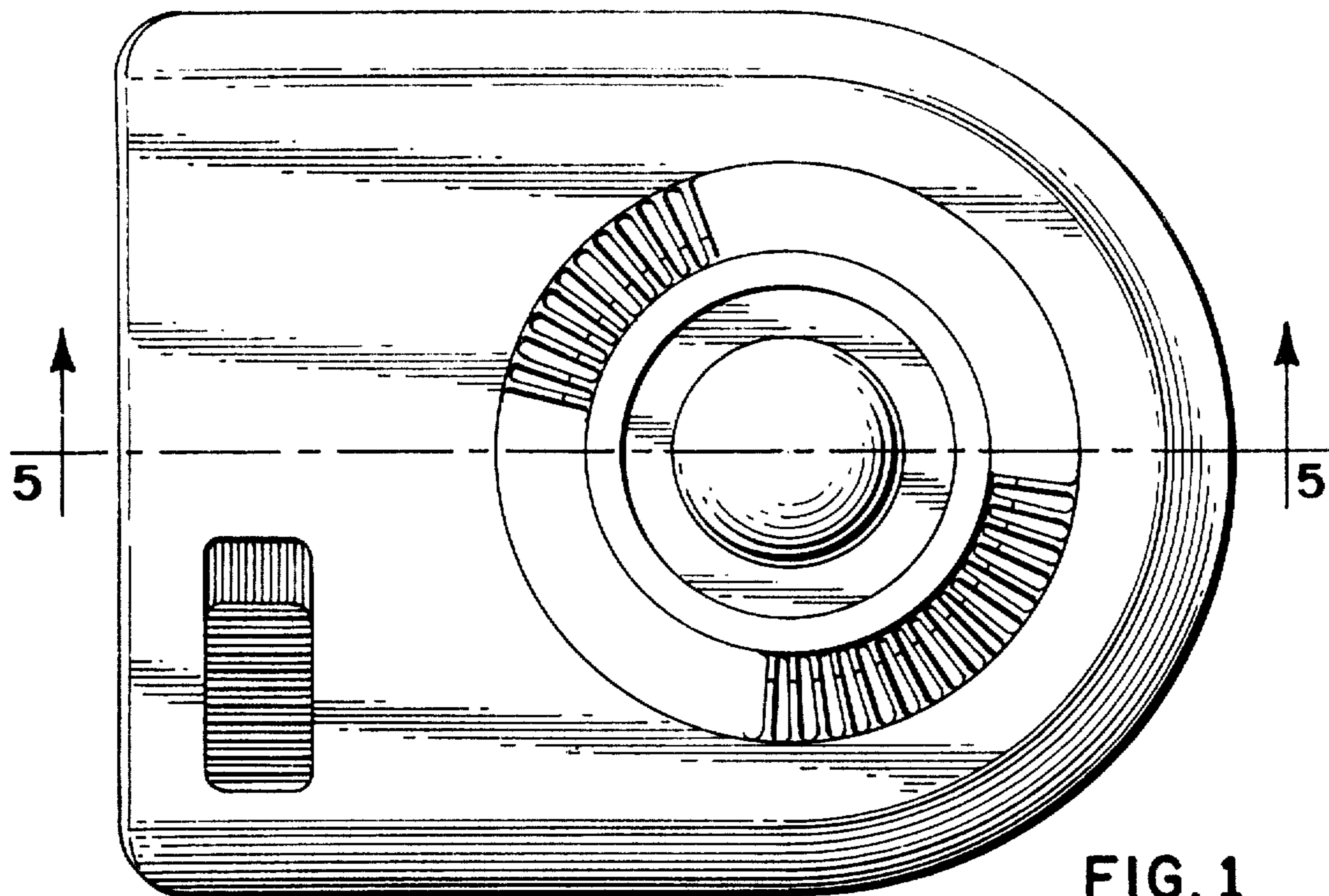
FIG. 4 is a left side elevational view of the design of FIG. 1.

FIG. 5 is a sectional view of the design of FIG. 1 taken along line 5—5 of FIG. 1.

FIG. 6 is a front elevational view of the design of FIG. 1.

FIG. 7 is a rear elevational view of the design of FIG. 1.





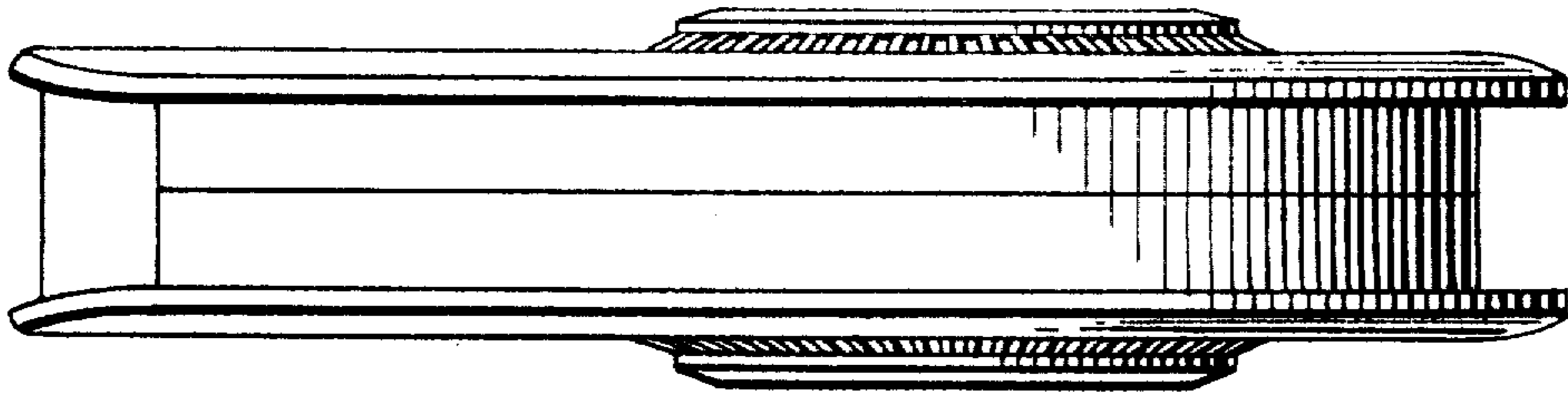


FIG. 3

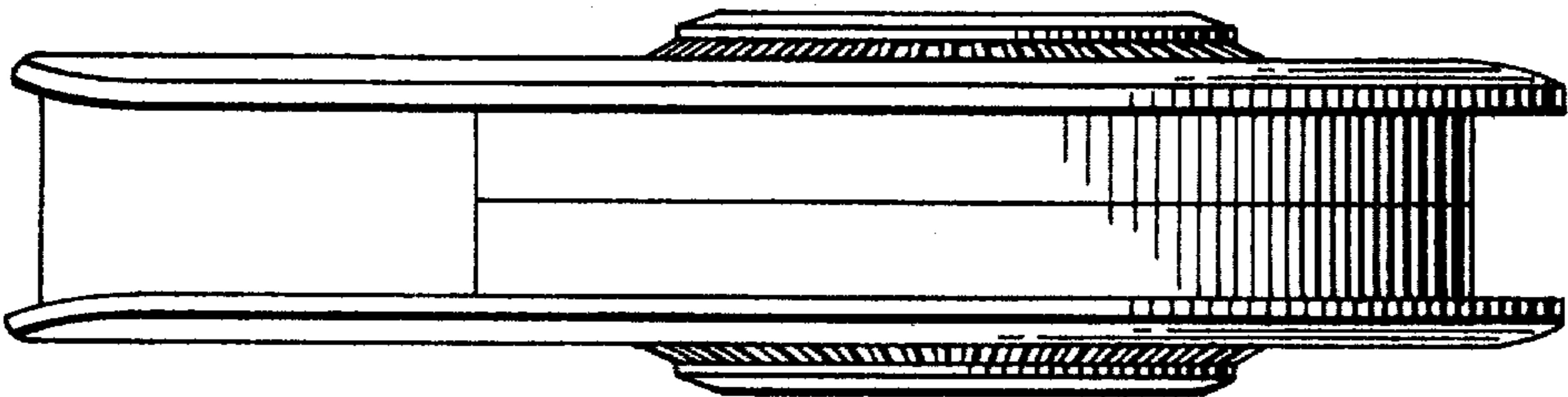


FIG. 4

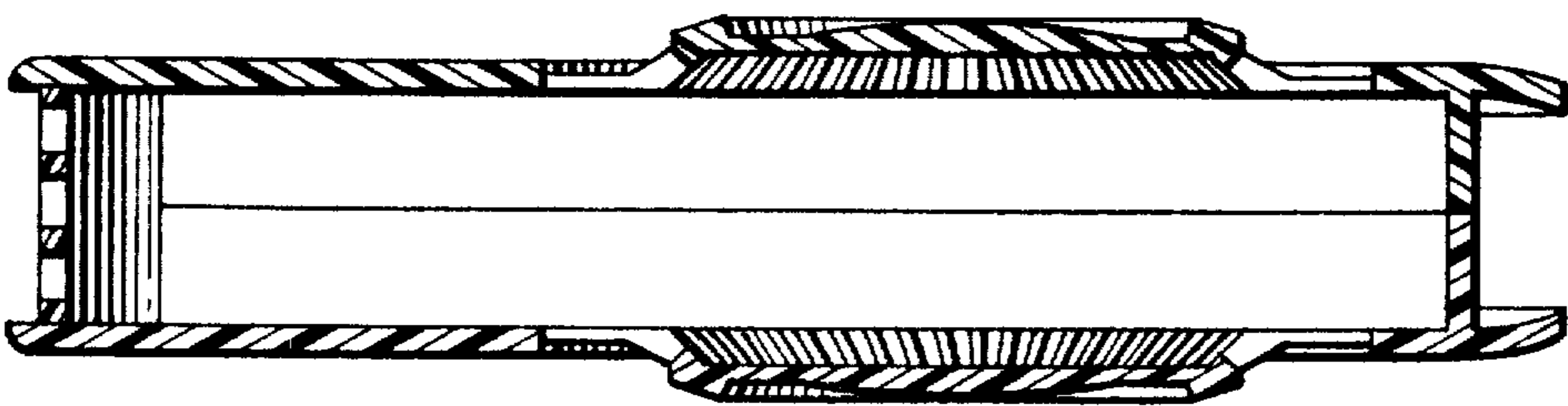


FIG. 5

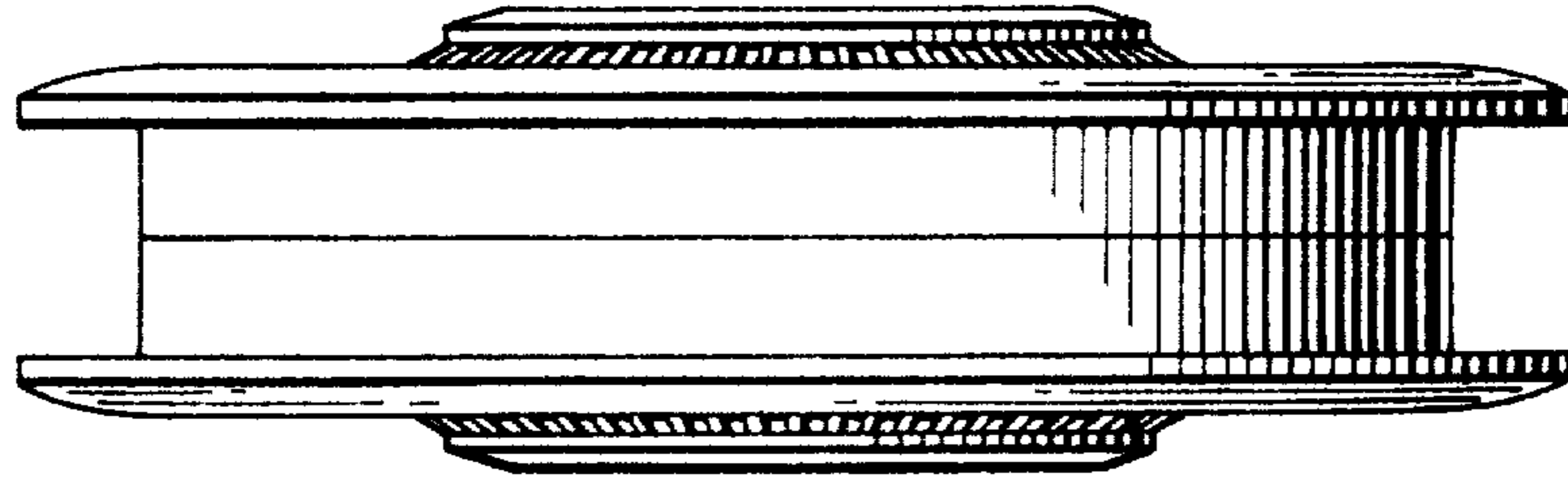


FIG. 6

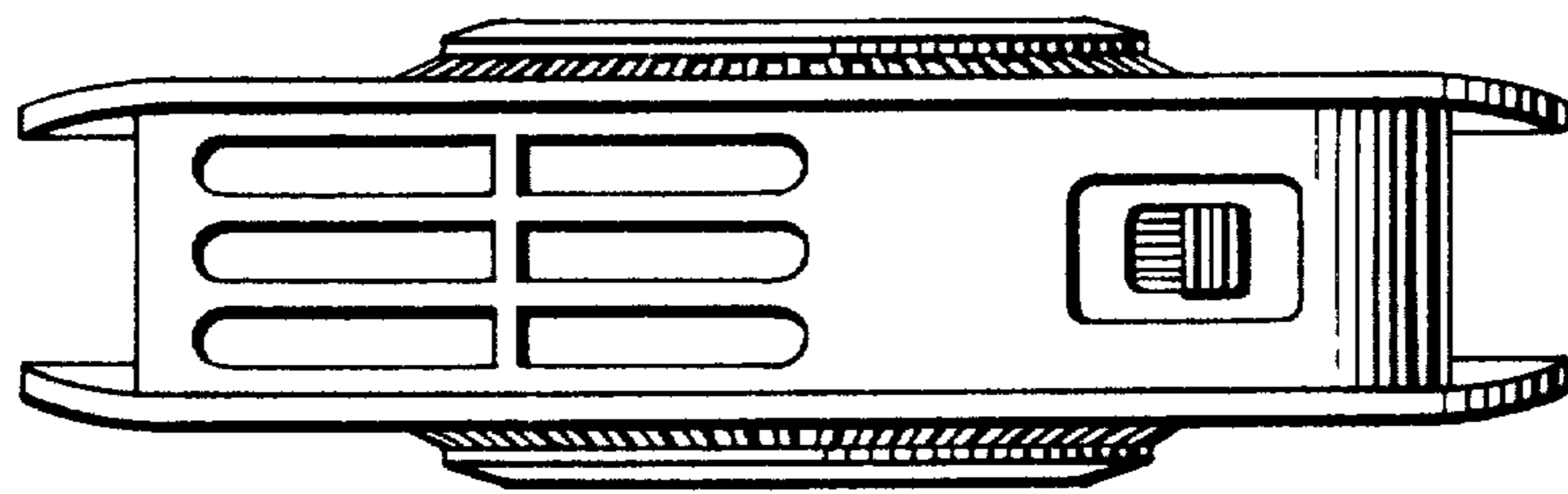


FIG. 7