

[54] FLUORESCENT LAMP OR THE LIKE

[75] Inventors: **Thomas Haraden, Ipswich; Harold L. Hough, Beverly, both of Mass.**

[73] Assignee: **GTE Products Corporation, Stamford, Conn.**

[**] Term: **14 Years**

[21] Appl. No.: **329,910**

[22] Filed: **Dec. 11, 1981**

[51] Int. Cl. **D26-04**

[52] U.S. Cl. **D26/3; D26/26**

[58] Field of Search **D26/3, 26, 75, 79; 313/110, 634, 493, 318; 315/41, 53, 54, 56, 59, 62-65, 70-75; 362/216, 226**

[56] **References Cited**

PUBLICATIONS

Lighting Design & Application, Jul. 1979, p. 63, General Electric Co. Circular Fluorescent Lamp.

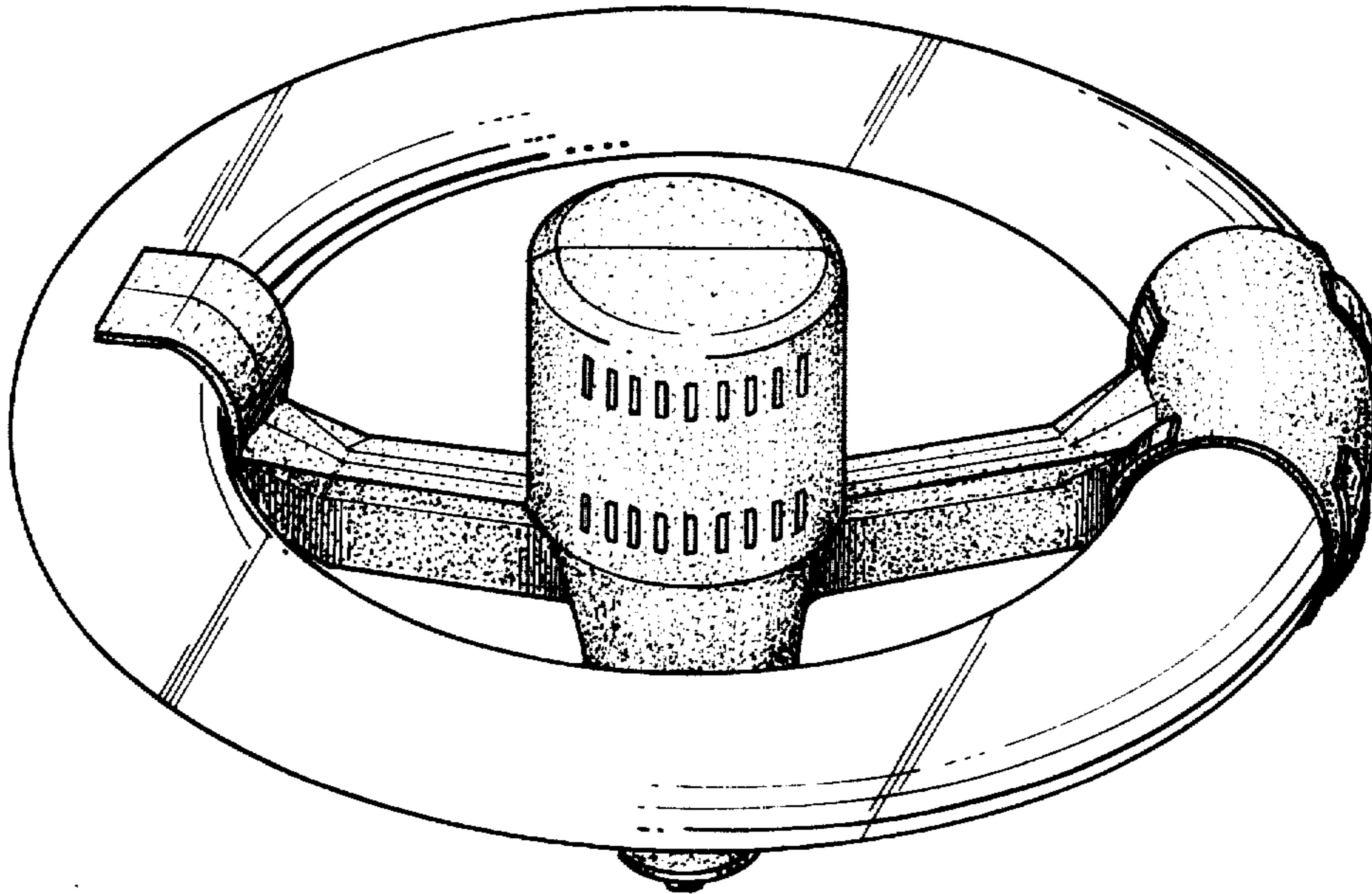
Primary Examiner—Susan J. Lucas
Attorney, Agent, or Firm—William H. McNeill

[57] **CLAIM**

The ornamental design for a fluorescent lamp or the like, substantially as shown and described.

DESCRIPTION

FIG. 1 is a perspective view of a fluorescent lamp or the like illustrating our new design; FIG. 2 is a top plan view thereof; FIG. 3 is a side elevational view thereof; FIG. 4 is a bottom plan view thereof; and FIG. 5 is an end elevational view thereof.



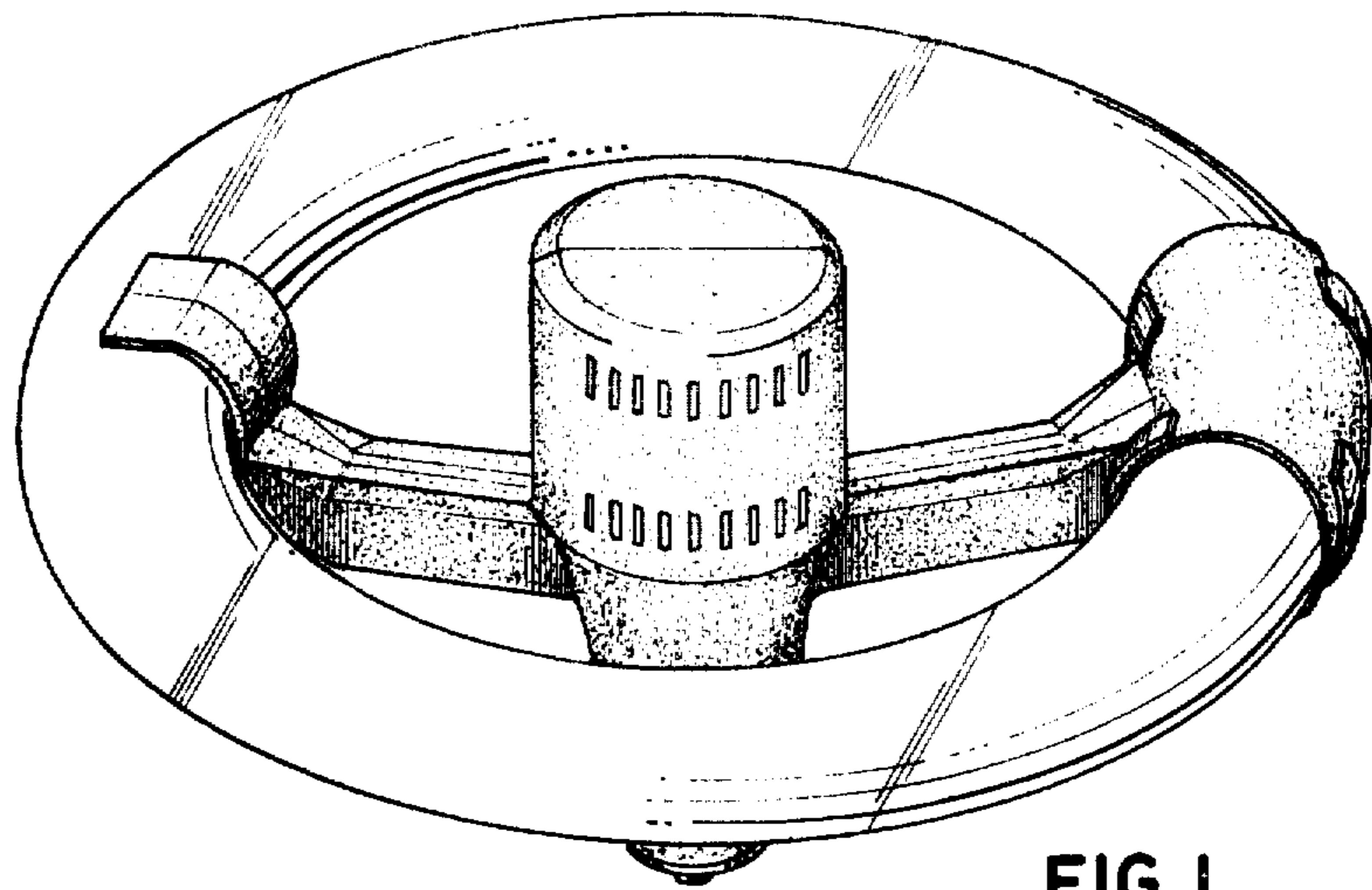


FIG. 1

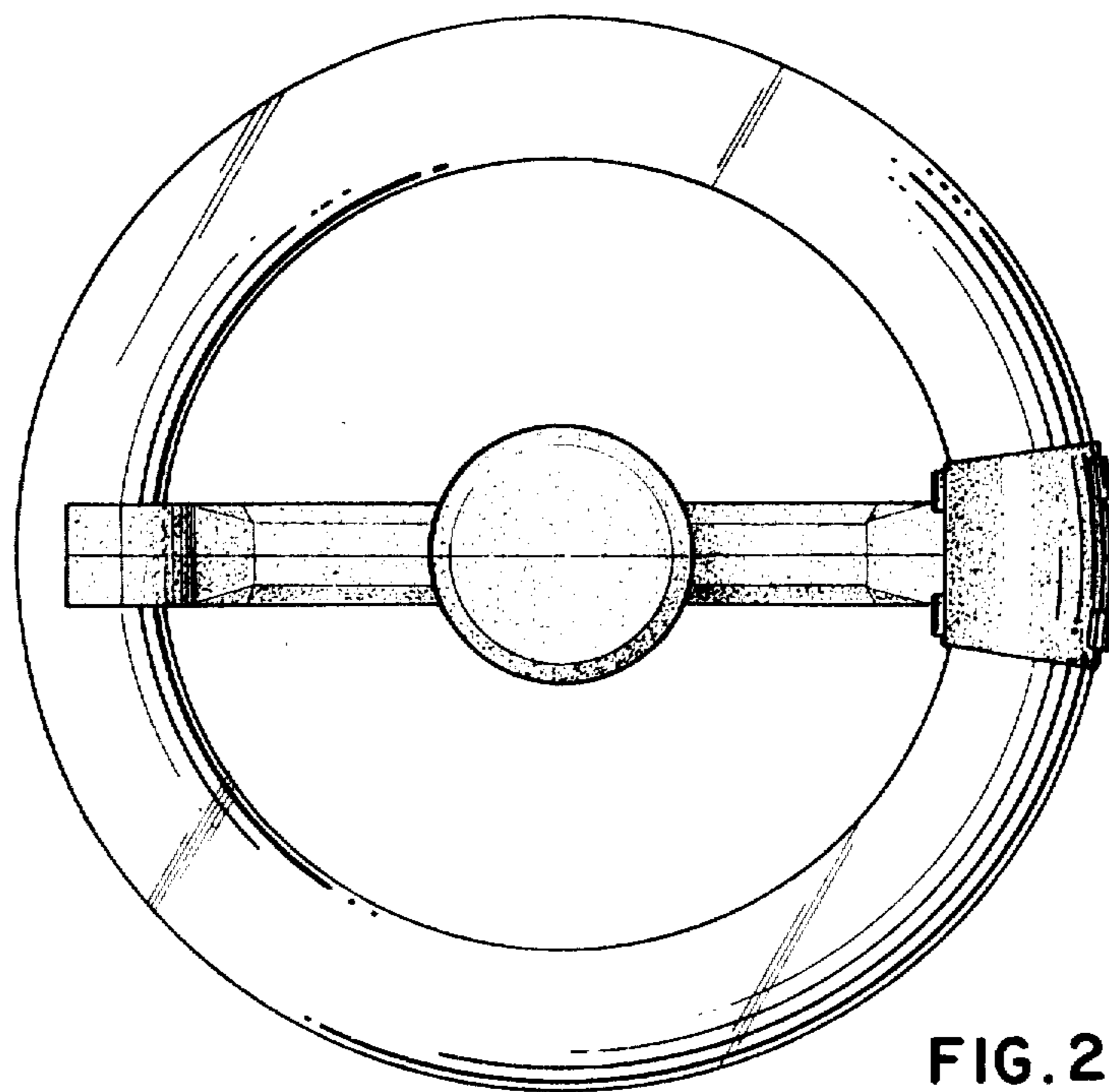


FIG. 2

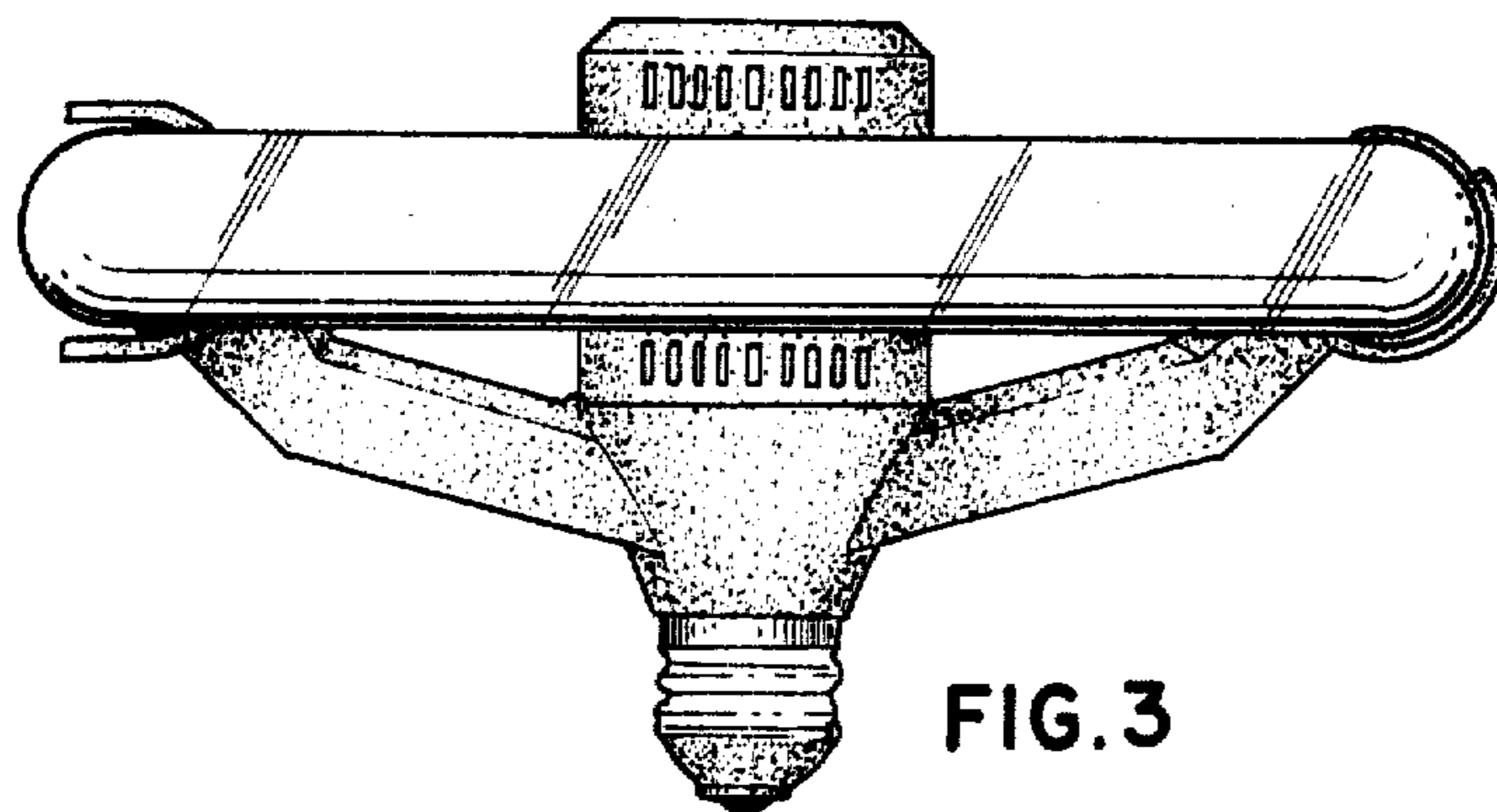


FIG. 3

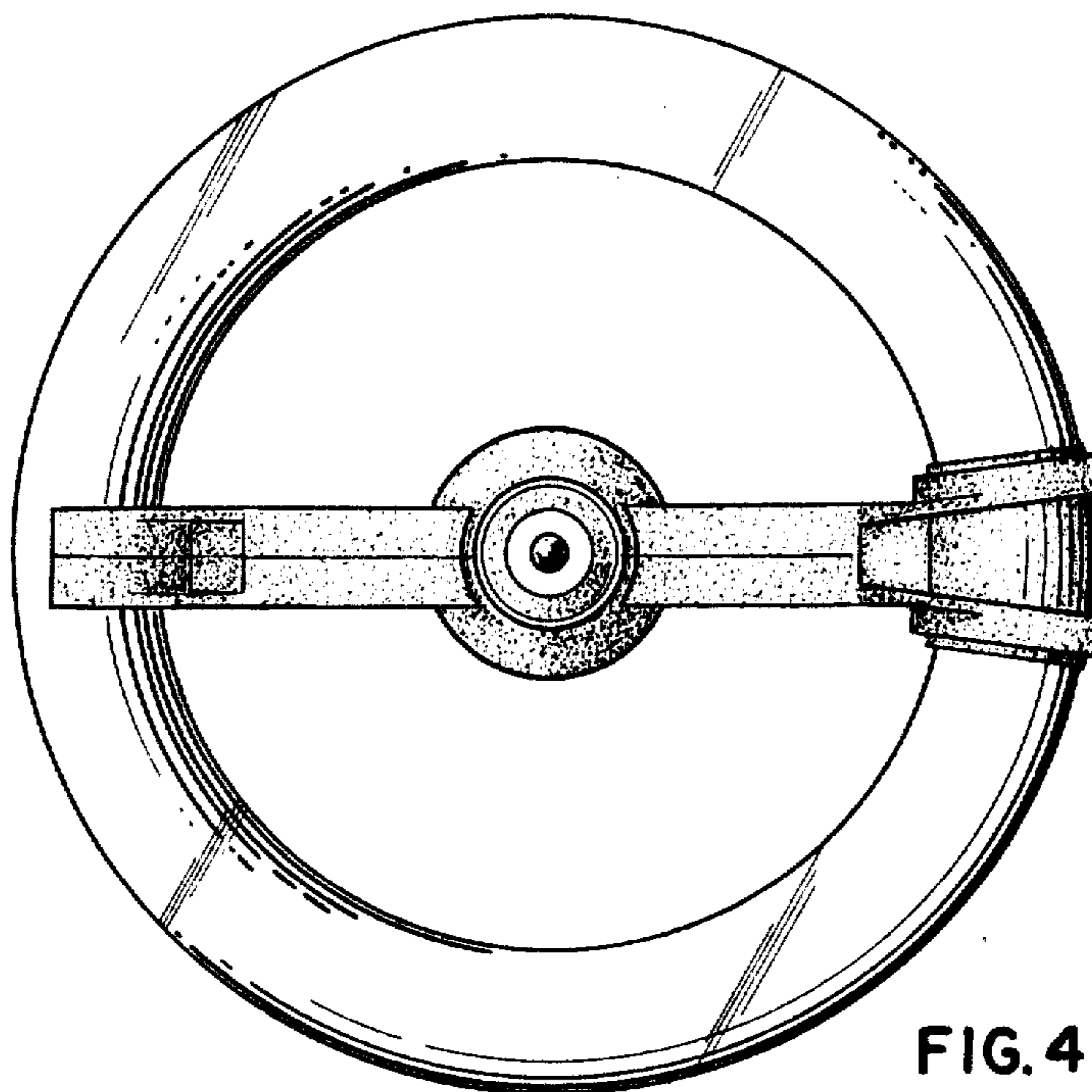


FIG. 4

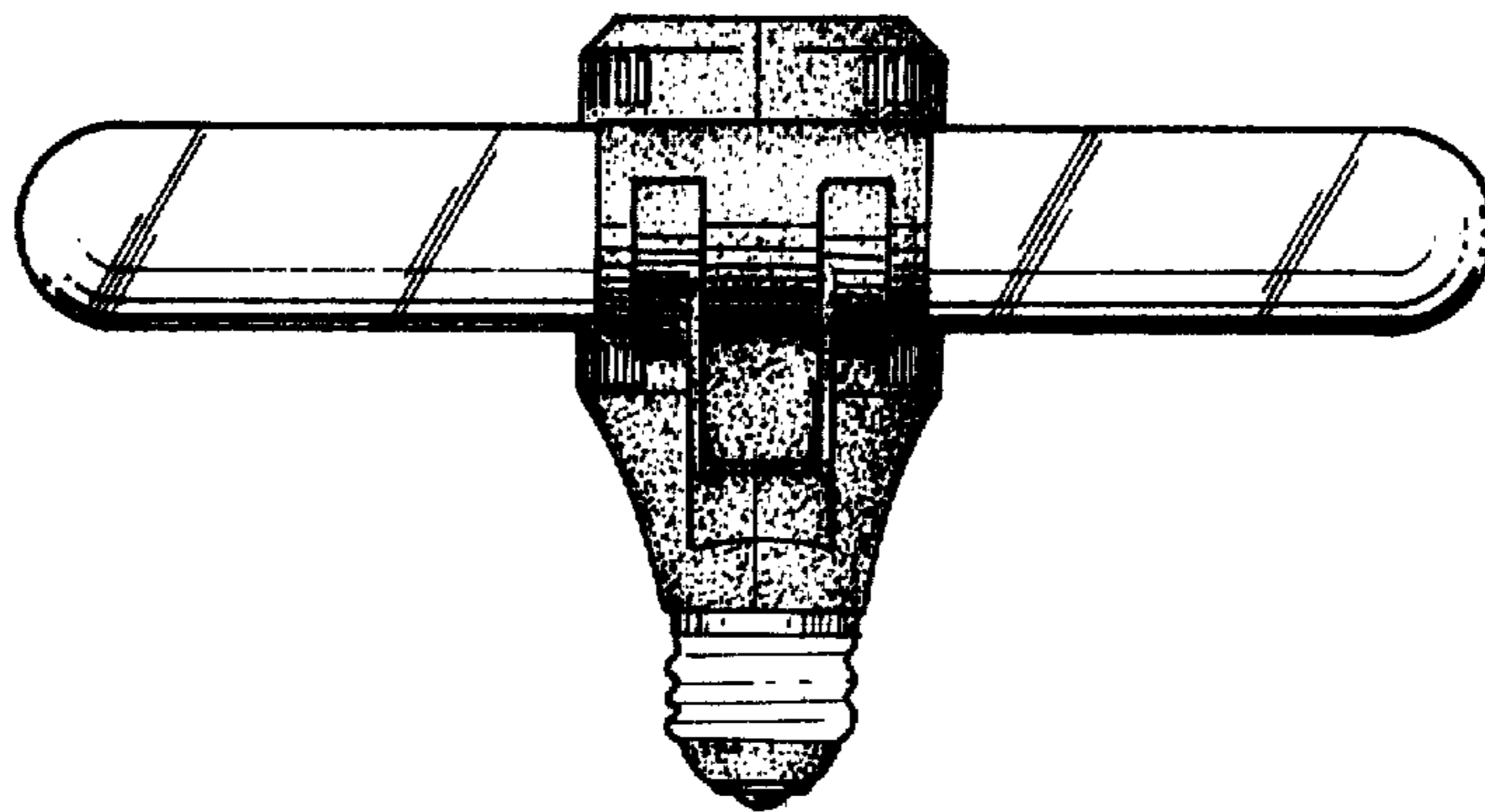


FIG. 5