

[54] PORTABLE LABORATORY MIXER

[76] Inventor: Sanford L. Simons, 9188 S. Turkey Creek Rd., Morrison, Colo. 80465

[**] Term: 14 Years

[21] Appl. No.: 243,755

[22] Filed: Mar. 16, 1981

[51] Int. Cl. D24-02; D15-05

[52] U.S. Cl. D24/8; D7/368; D7/376

[58] Field of Search D7/376, 368; D24/8, D24/99; 366/145, 146, 276, 279, 282

[56] References Cited

U.S. PATENT DOCUMENTS

D. 198,333	6/1964	Boldt	D7/376
D. 230,073	1/1974	Lane, Jr.	D7/368
D. 262,822	2/1982	Schindler	D24/8
3,333,829	8/1967	Moore et al.	366/145

OTHER PUBLICATIONS

Cole-Parmer Cat. 1979-1980, ©1978, p. 205, item No. 4404, Lab. Stirrer.

Fisher Scientific, 81, ©1980, p. 807, item No. 14-062, Single-Speed Orbital Mixer.

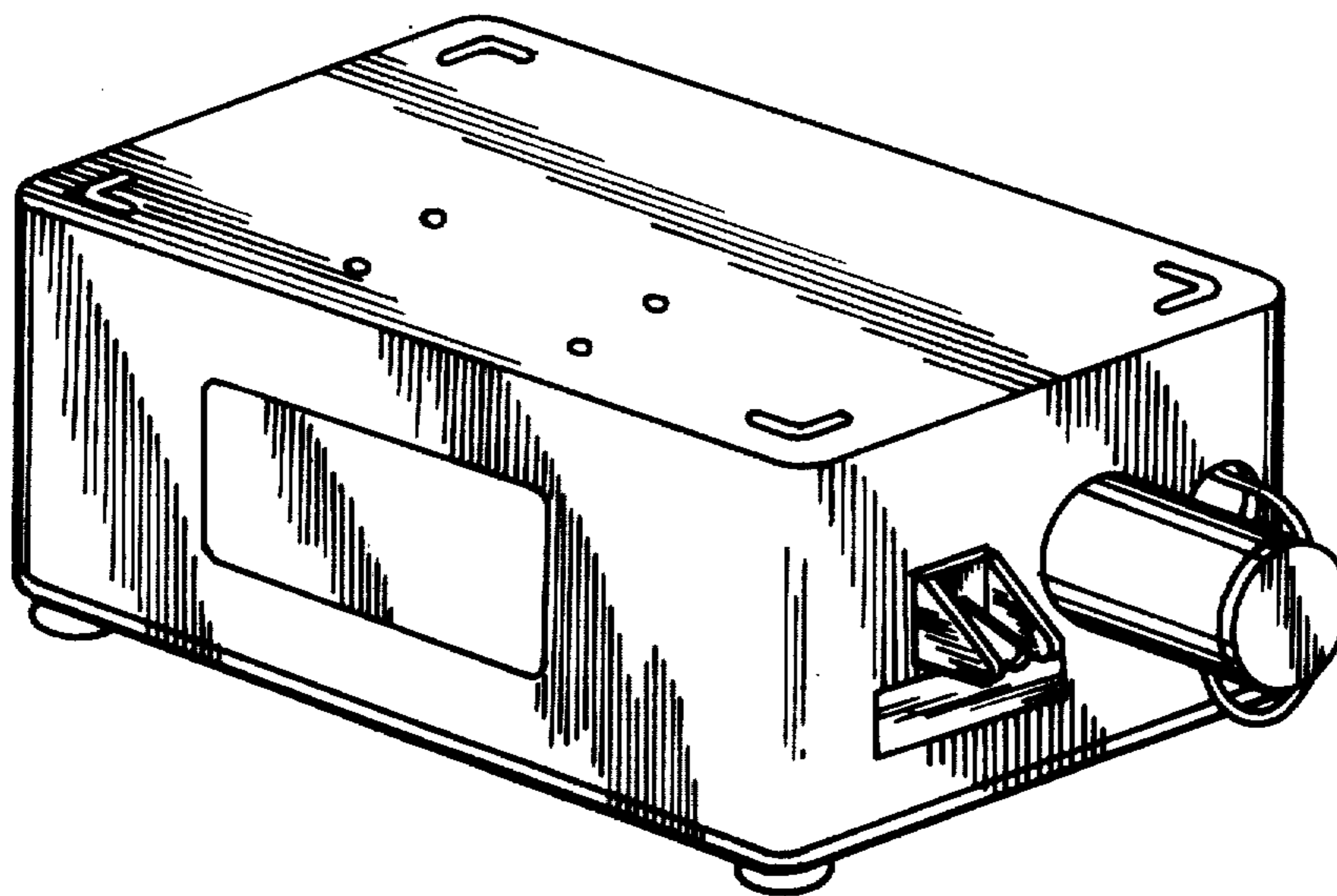
Primary Examiner—Bernard Ansher
Attorney, Agent, or Firm—Max L. Wymore

[57] CLAIM

The ornamental design for a portable laboratory mixer, as shown and described.

DESCRIPTION

FIG. 1 is a perspective view of a portable laboratory mixer showing my new design;
FIG. 2 is a bottom plan view thereof;
FIG. 3 is a top plan view thereof;
FIG. 4 is a left side elevational view thereof;
FIG. 5 is a right side elevational view thereof;
FIG. 6 is a front elevational view thereof; and,
FIG. 7 is a rear elevational view thereof.



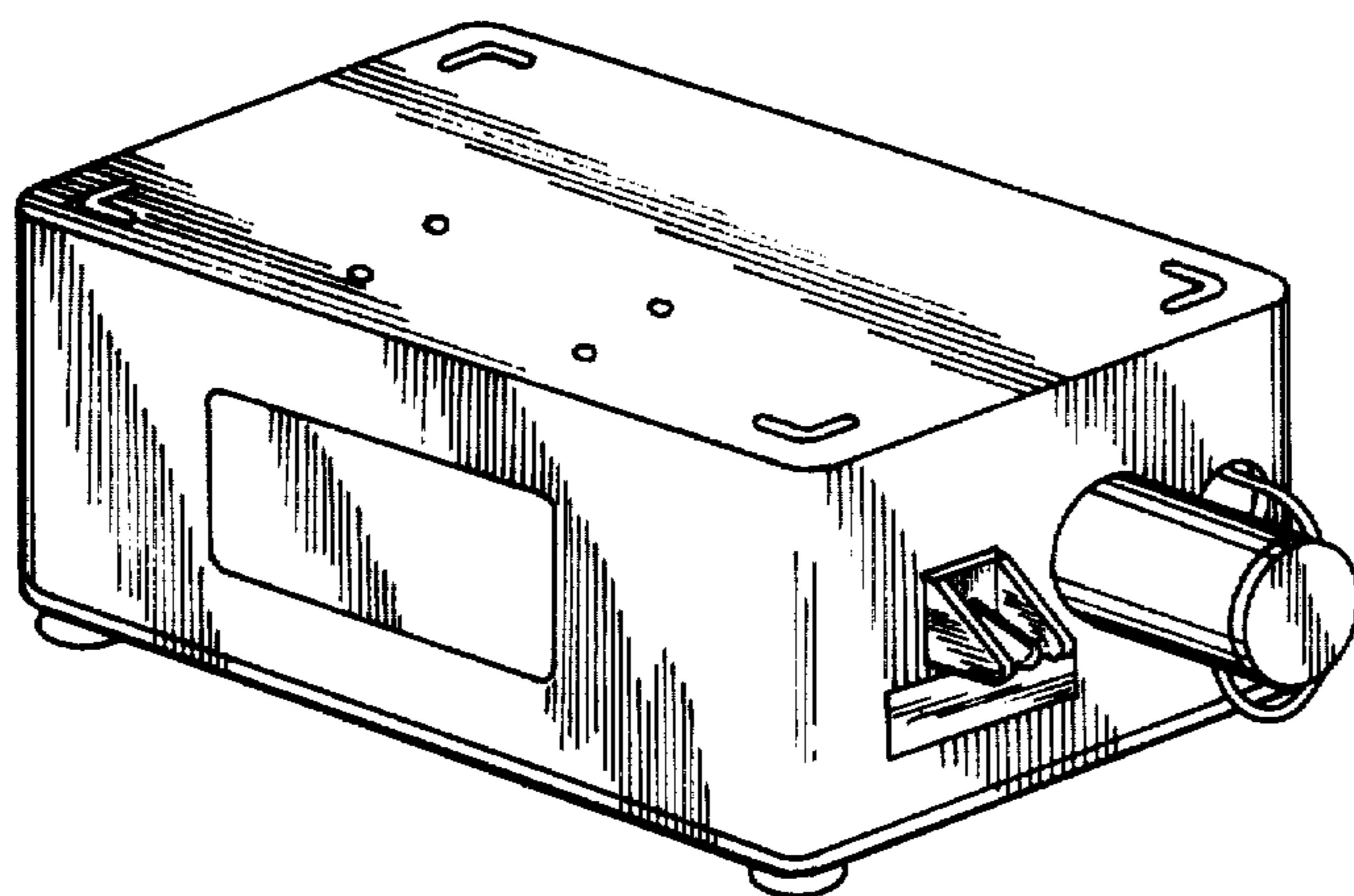


FIG. 1

FIG. 2

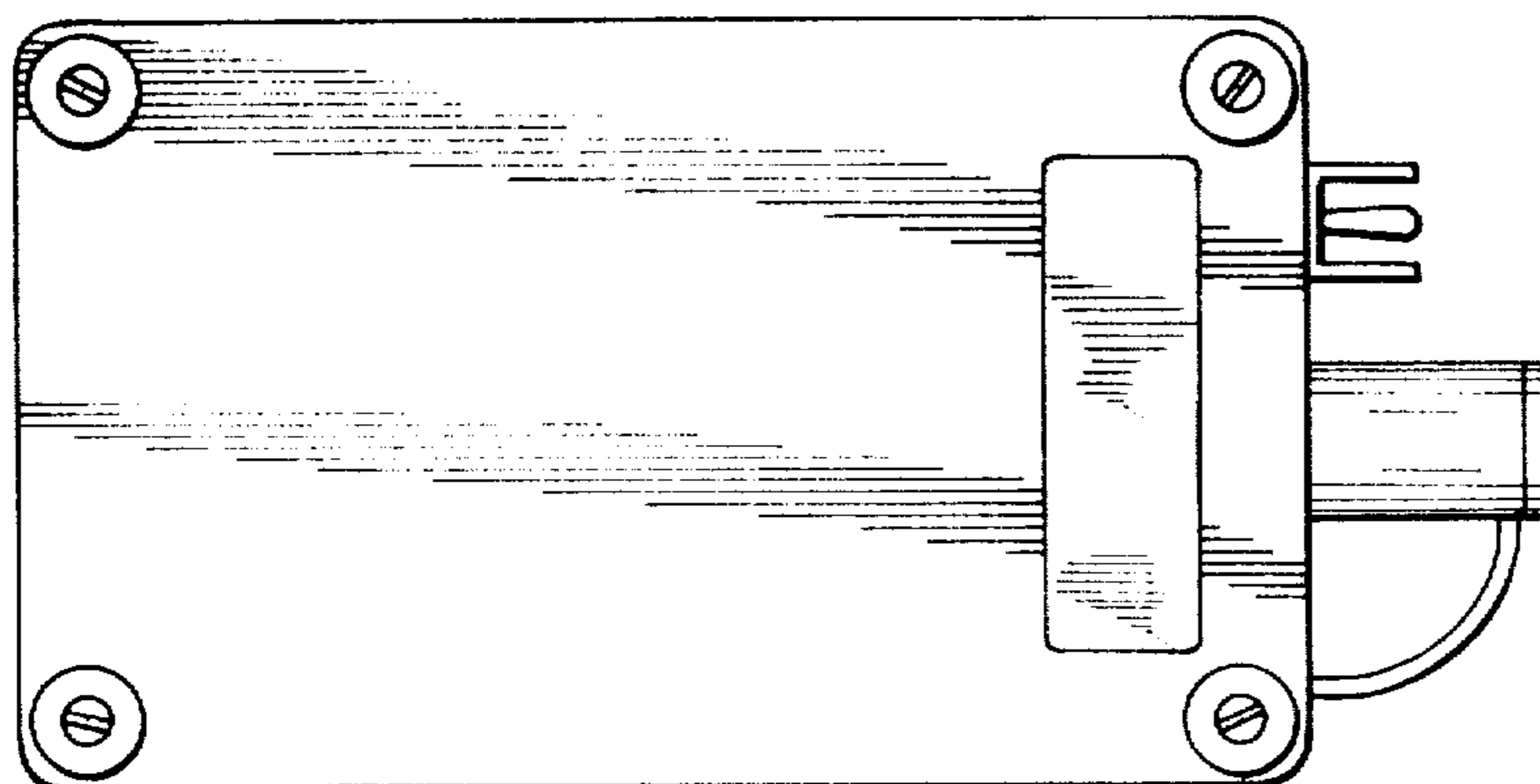
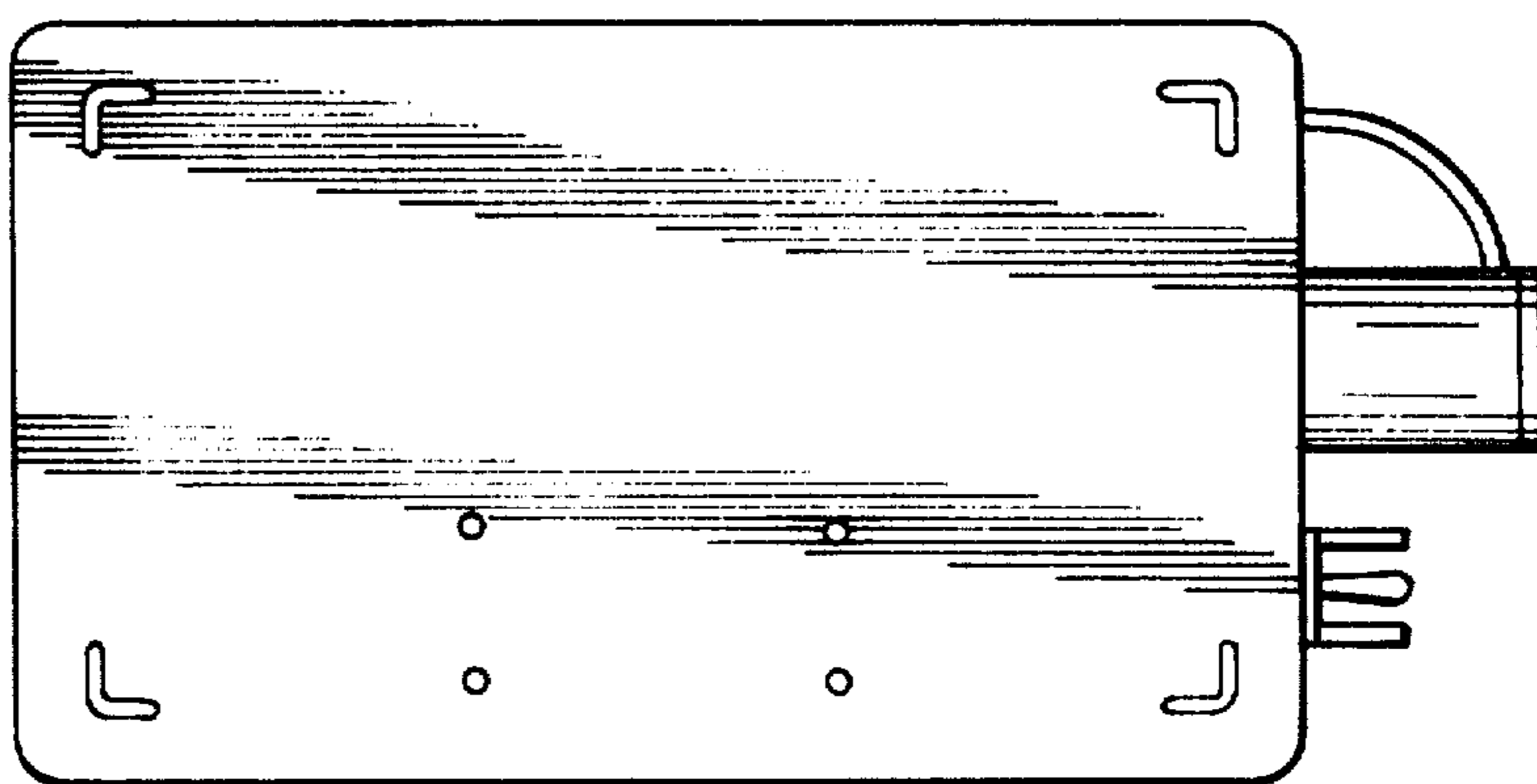


FIG. 3

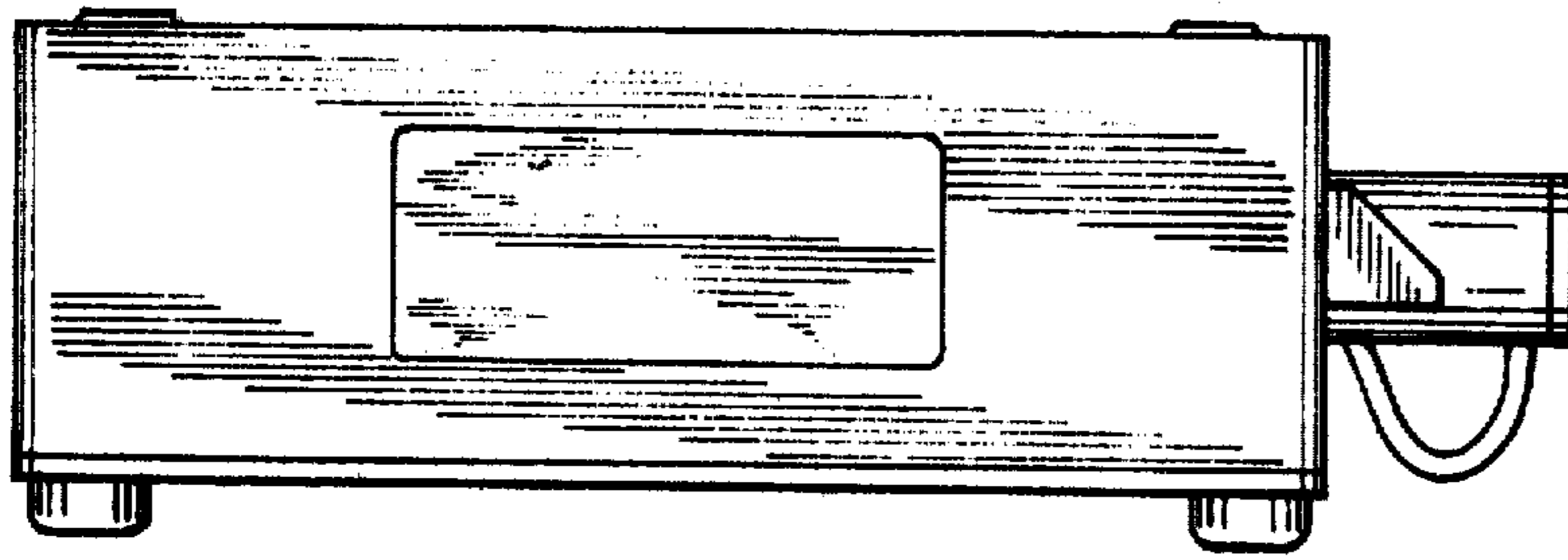


FIG. 4

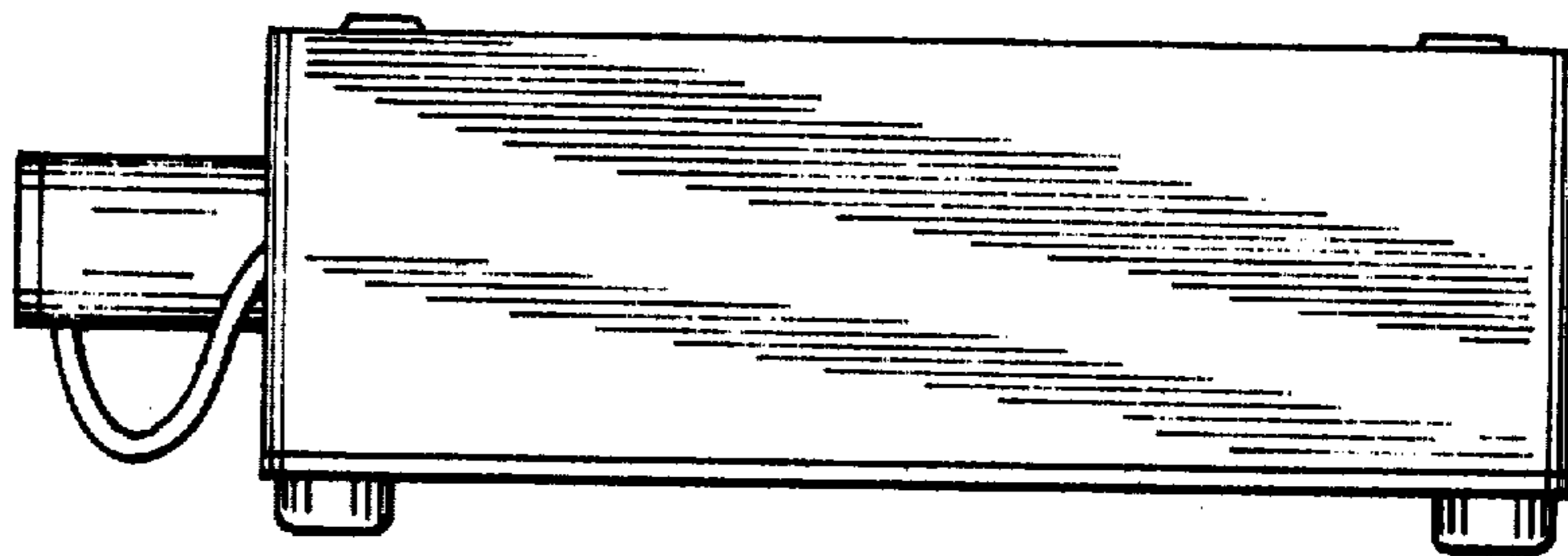


FIG. 5

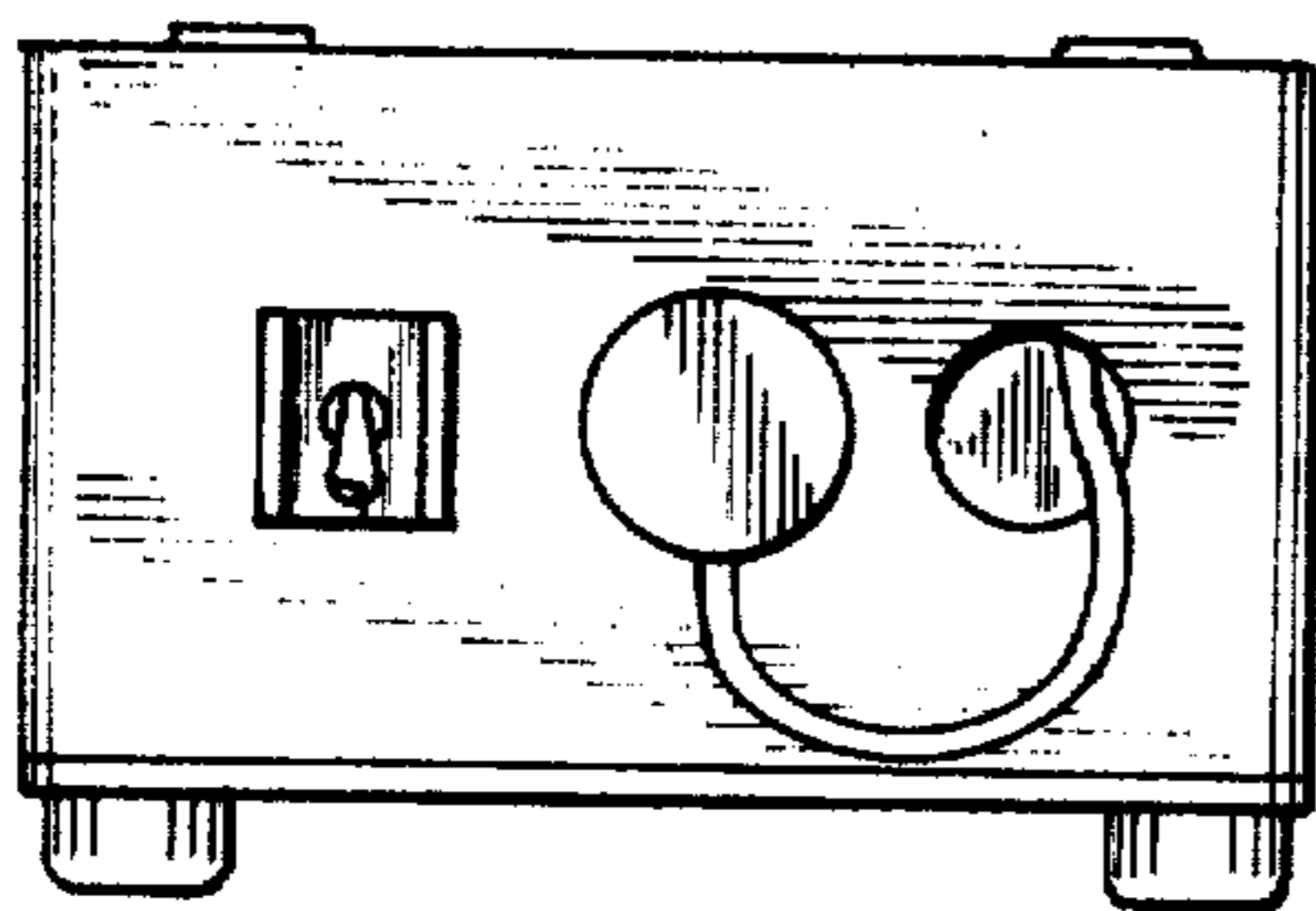


FIG. 6

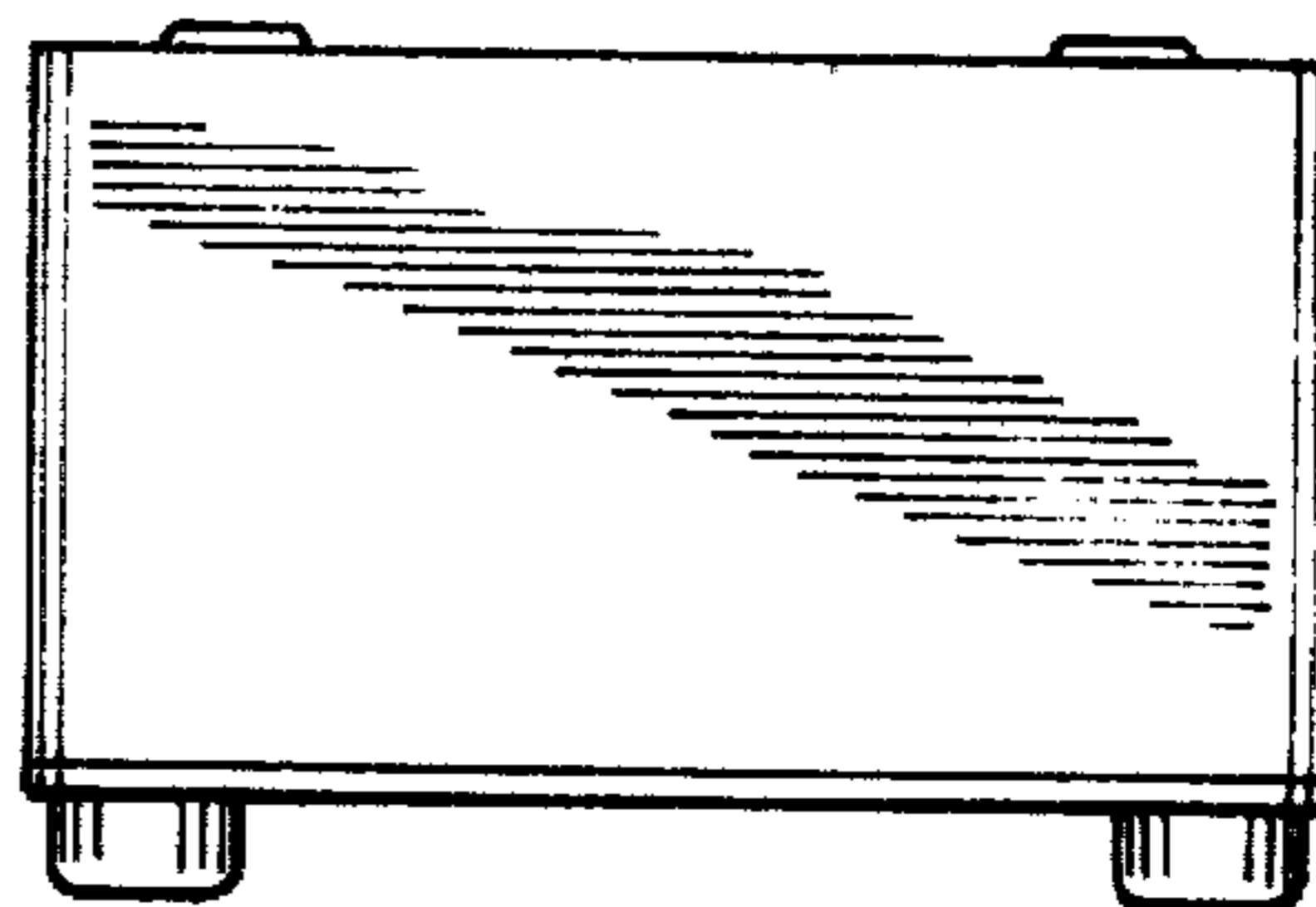


FIG. 7