

[54] FIREPLACE INSERT OR THE LIKE

[75] Inventors: George K. MacAleese; Lon B. Leech, both of Huntington, Ind.

[73] Assignee: American Standard Inc., New York, N.Y.

[**] Term: 14 Years

[21] Appl. No.: 344,699

[22] Filed: Feb. 1, 1982

[51] Int. Cl. D23-03

[52] U.S. Cl. D23/94

[58] Field of Search D23/92-97; 126/4, 6, 58, 60-66, 120, 121, 123, 126

[56] References Cited

U.S. PATENT DOCUMENTS

D. 170,242 8/1953 Robinson D23/94

D. 219,914 2/1971 McElheny D23/94
D. 262,308 12/1981 Christophel D23/94
D. 264,621 5/1982 Becker, Jr. D23/94
D. 267,741 1/1983 Geiter et al. D23/94

Primary Examiner—Catherine E. Kemper
Attorney, Agent, or Firm—James J. Salerno, Jr.; Robert G. Crooks; John P. Sinnott

[57] CLAIM

The ornamental design for a fireplace insert or the like, substantially as shown and described.

DESCRIPTION

FIG. 1 is a perspective view of the fireplace insert or the like showing our new design; FIG. 2 is a front elevational view thereof; FIG. 3 is an elevational view of the right side thereof, the left side being a mirror image thereof; FIG. 4 is a top plan view thereof; and FIG. 5 is a rear elevational view thereof.

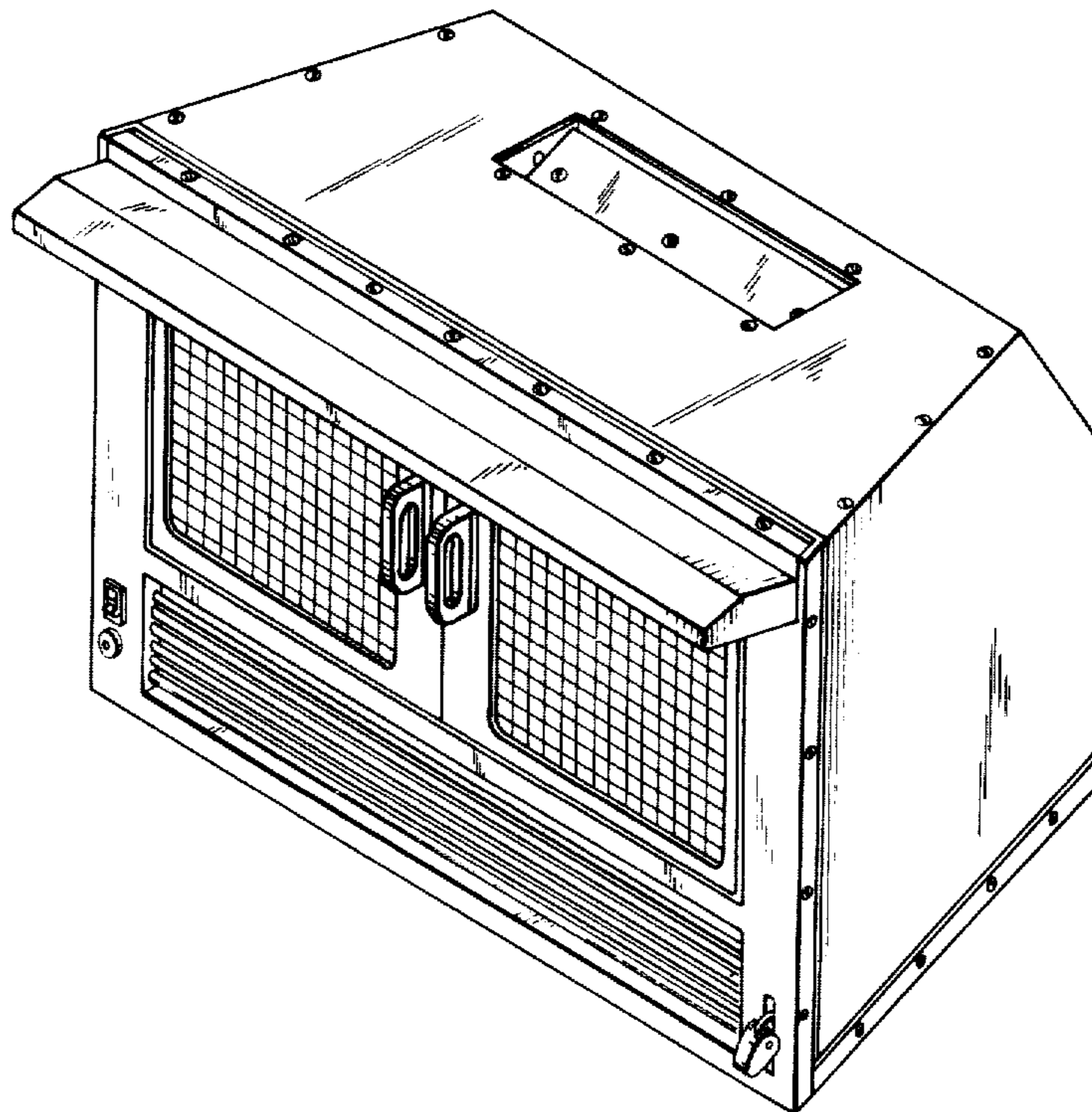


FIG. 1

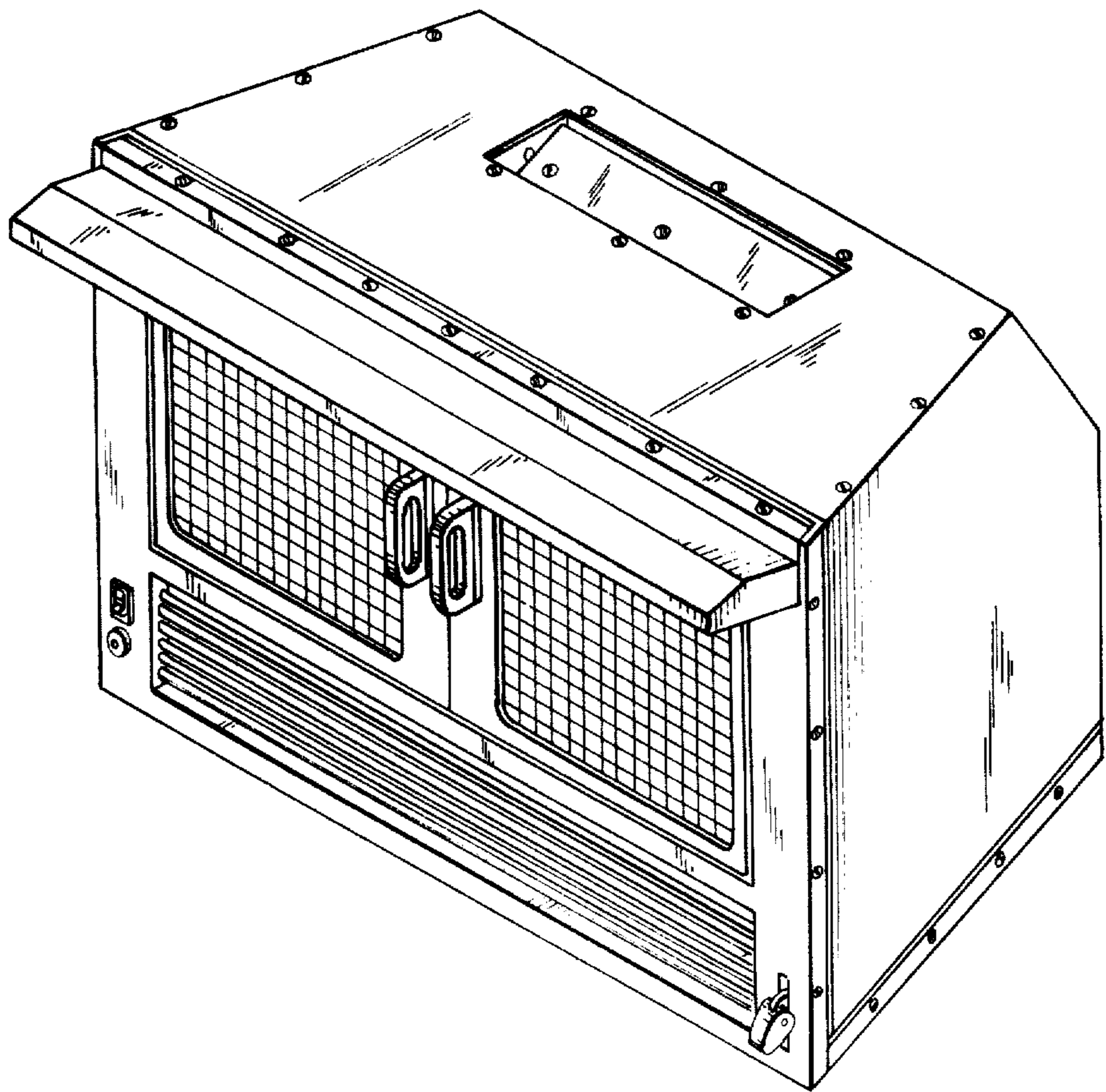


FIG. 2

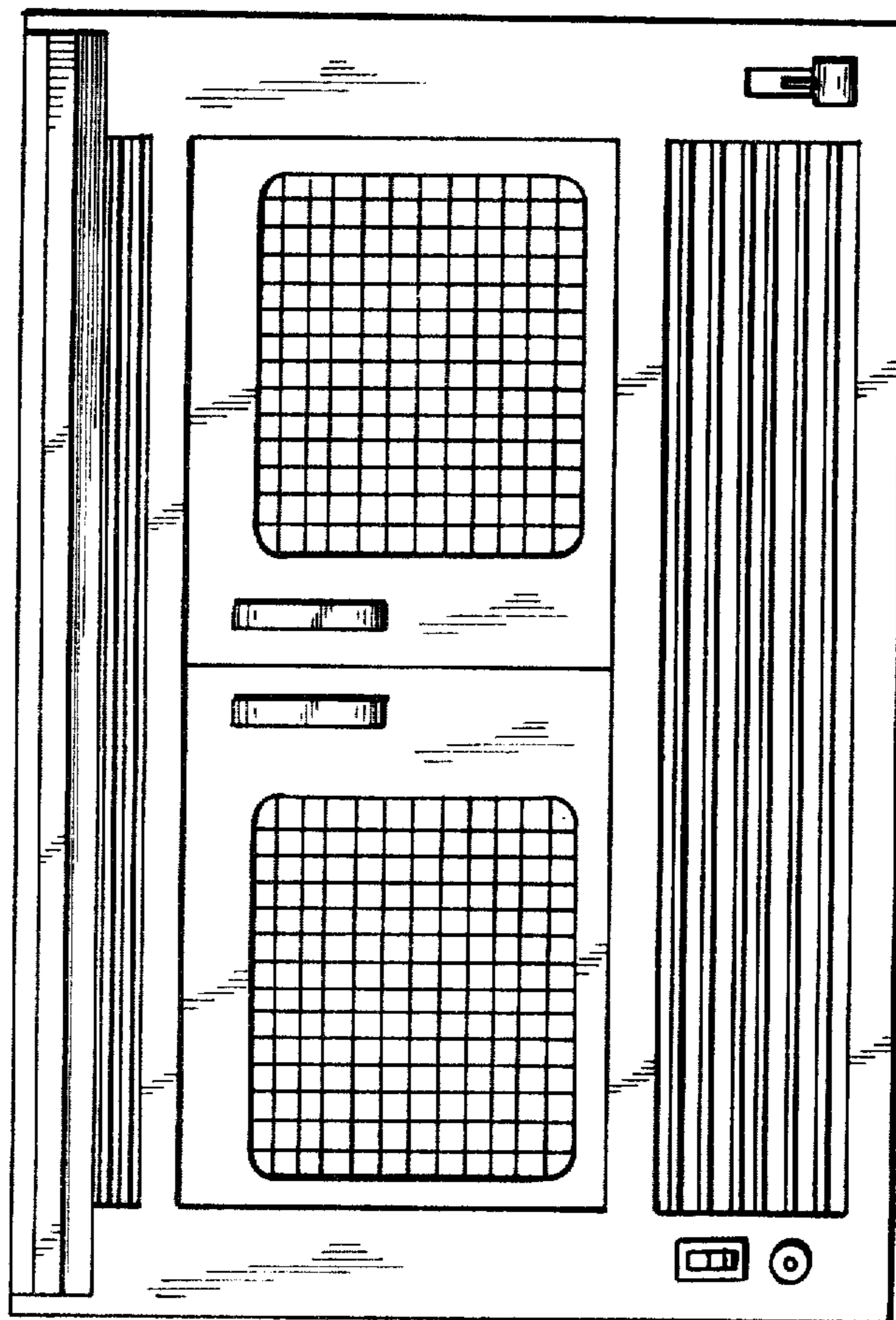


FIG. 3

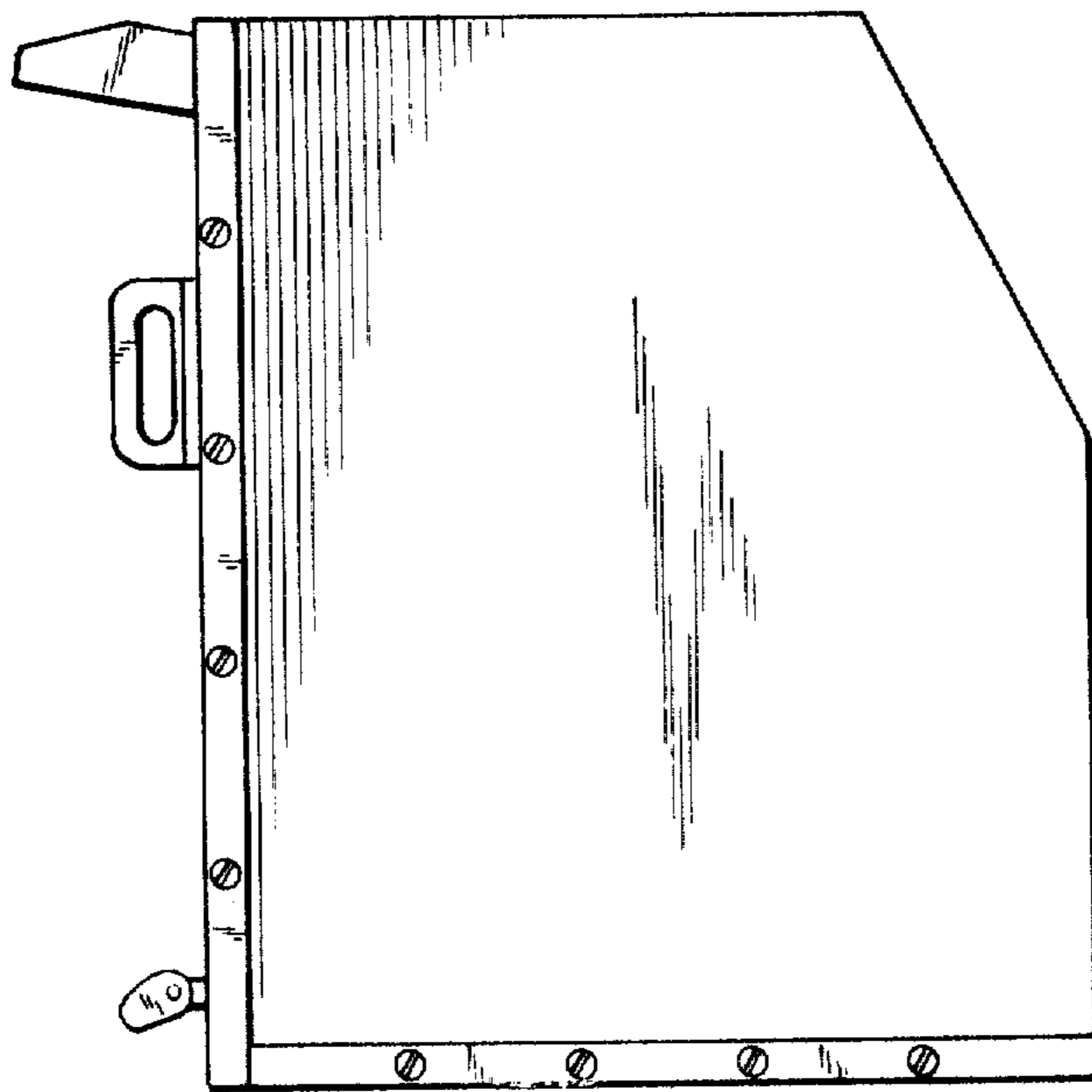


FIG. 4

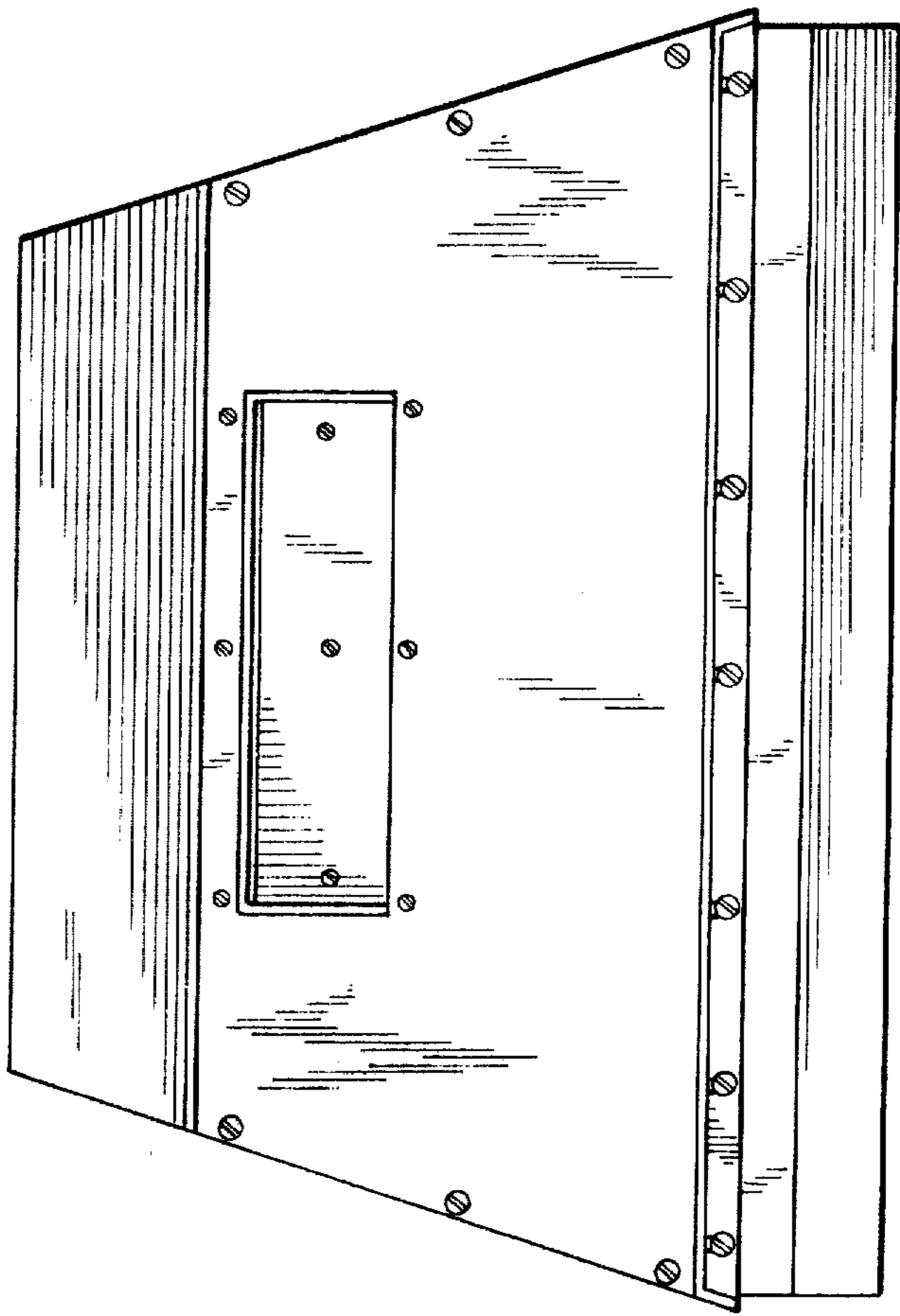


FIG. 5

