

[54] **COMBINED ESCUTCHEON AND DIVERTER VALVE CONTROL FOR BATHTUB/SHOWER UNITS**

[75] Inventor: **Wolfgang Fabian, Mannheim, Fed. Rep. of Germany**

[73] Assignee: **American Standard Inc., New York, N.Y.**

[**] Term: **14 Years**

[21] Appl. No.: **378,362**

[22] Filed: **May 14, 1982**

Related U.S. Application Data

[62] Division of Ser. No. 92,874, Nov. 9, 1979.

Foreign Application Priority Data

Jun. 13, 1979 [DE] Fed. Rep. of Germany 79/3

[51] Int. Cl. **D23-01**

[52] U.S. Cl. **D23/26; D23/31**

[58] Field of Search **D23/23-32; 4/191, 192; 137/606, 801**

[56] **References Cited**

U.S. PATENT DOCUMENTS

- D. 59,399 10/1921 Wuesthoff D23/25
- D. 80,830 4/1930 Dobriek D23/25
- D. 87,508 6/1931 Bloch D23/25
- D. 101,442 10/1936 Dreyfuss D23/25

- D. 151,199 9/1978 Thomssen D23/25
- D. 152,441 1/1949 Thomssen D23/25
- D. 171,572 3/1954 Baker, Jr. D23/25
- D. 237,275 10/1975 Landell D23/31
- D. 241,440 9/1976 Doman D23/31
- D. 263,989 4/1982 Fleischmann et al. D23/31

OTHER PUBLICATIONS

Domestic Engineering, Feb. 1961, p. 31.

Primary Examiner—James R. Largen

Attorney, Agent, or Firm—James J. Salerno, Jr.; Robert G. Crooks; John P. Sinnott

[57] **CLAIM**

The ornamental design for a combined escutcheon and diverter valve control for bathtub/shower units, substantially as shown and described.

DESCRIPTION

FIG. 1 is a perspective view taken from the top, front and right side of a combined escutcheon and diverter valve control for bathtub/shower units embodying my new design;

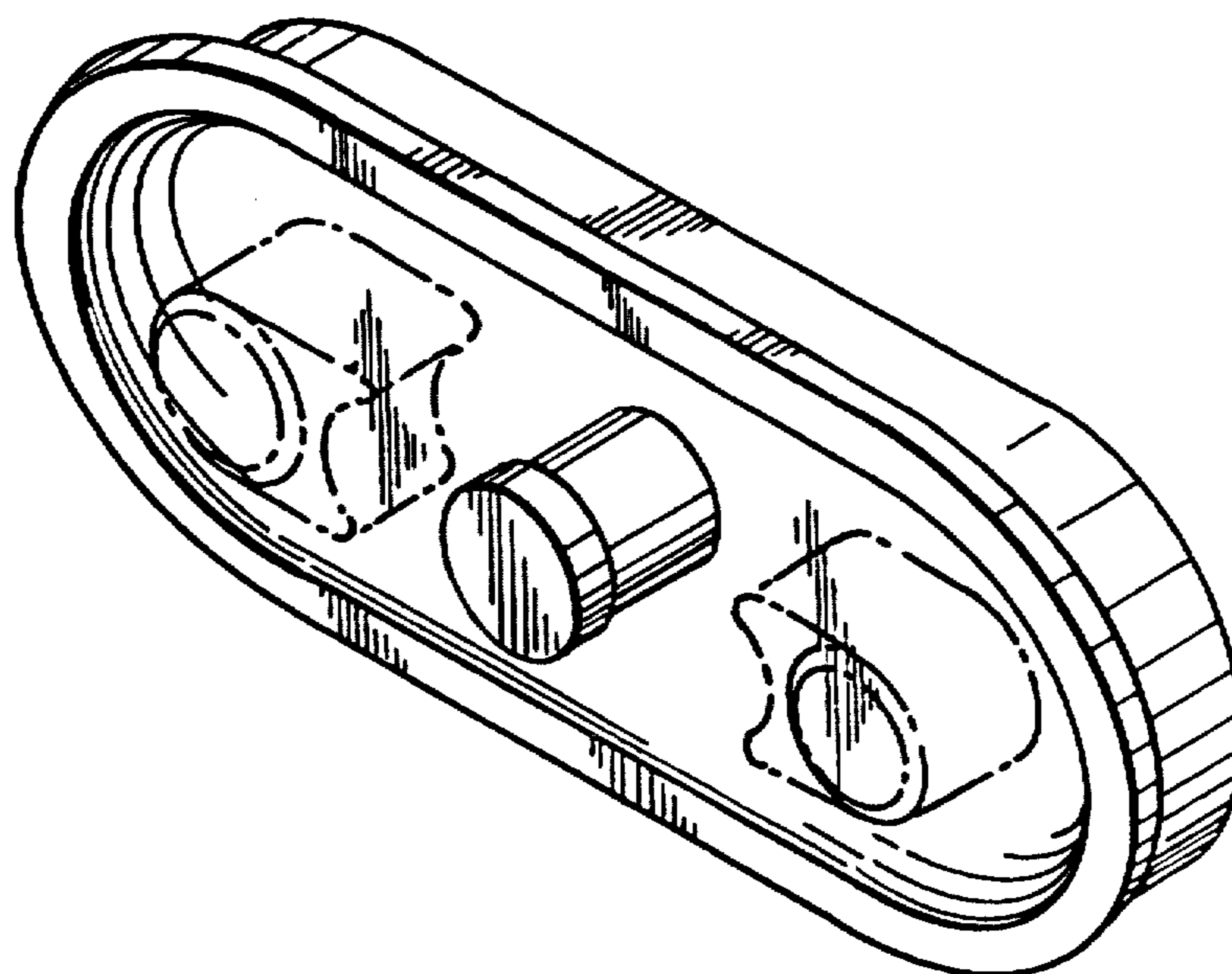
FIG. 2 is an elevational view taken from one side thereof, the opposite side being a mirror image of the side shown;

FIG. 3 is a top plan view thereof, the bottom being a mirror image of the top shown;

FIG. 4 is a front elevational view thereof; and

FIG. 5 is a rear elevational view thereof.

The broken line representation of handles in FIGS. 1 through 4 is for purposes of illustration only.



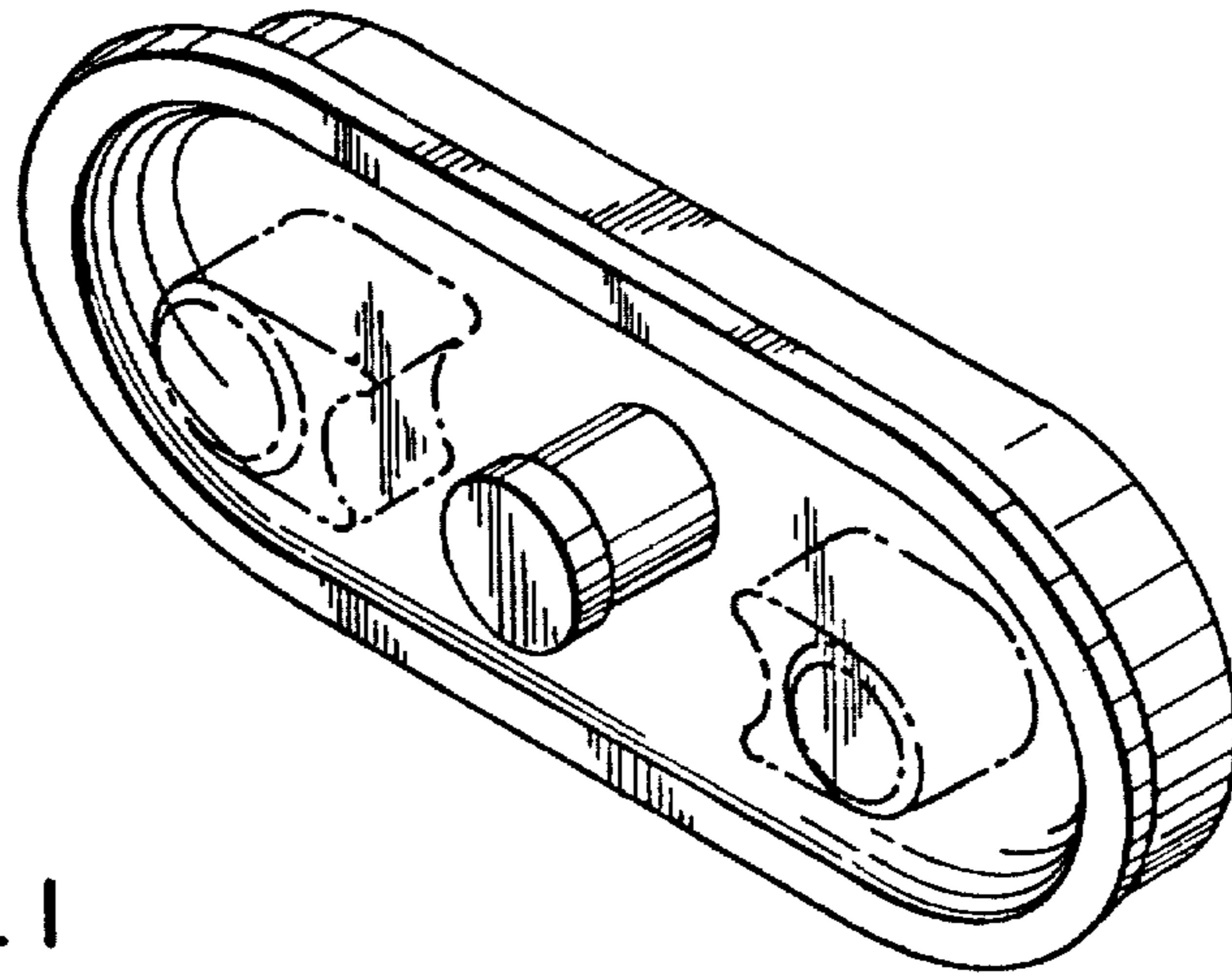


FIG. 1

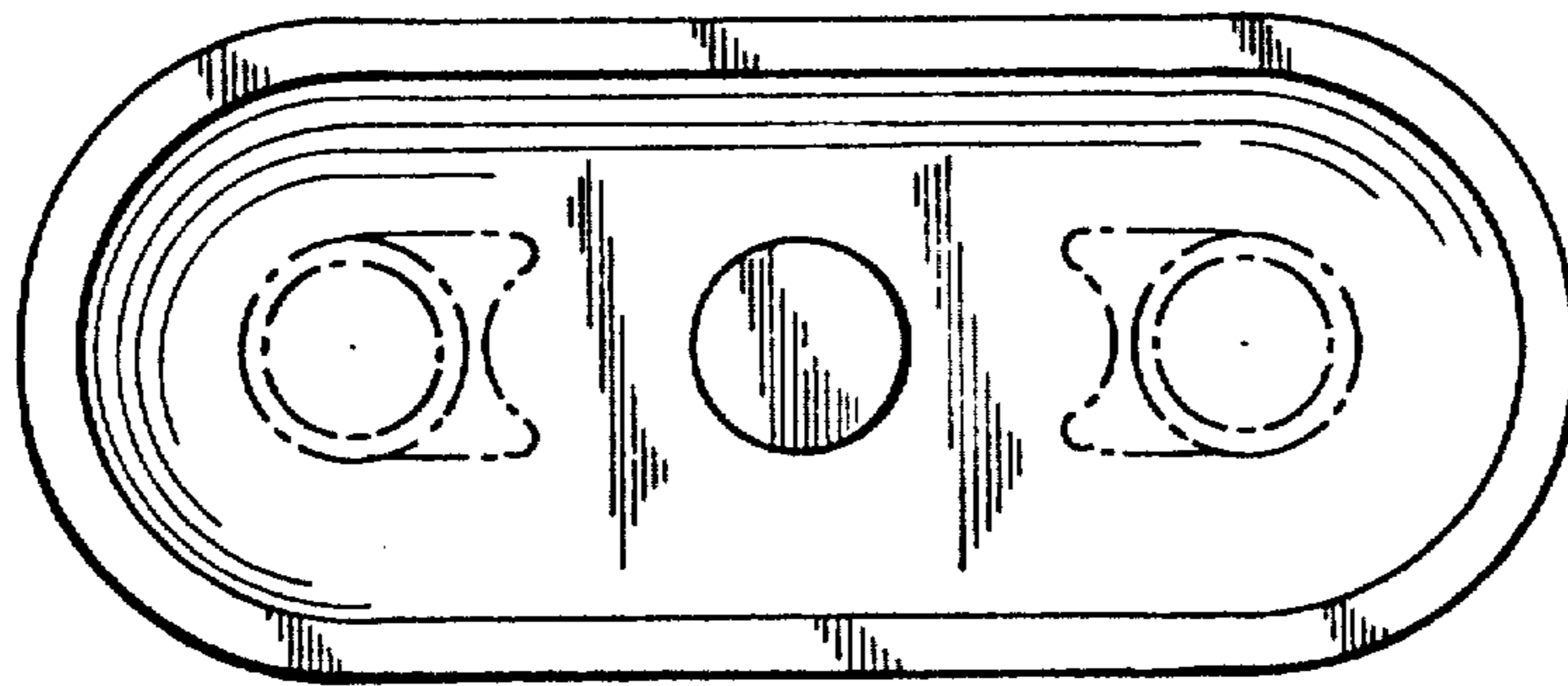


FIG. 2

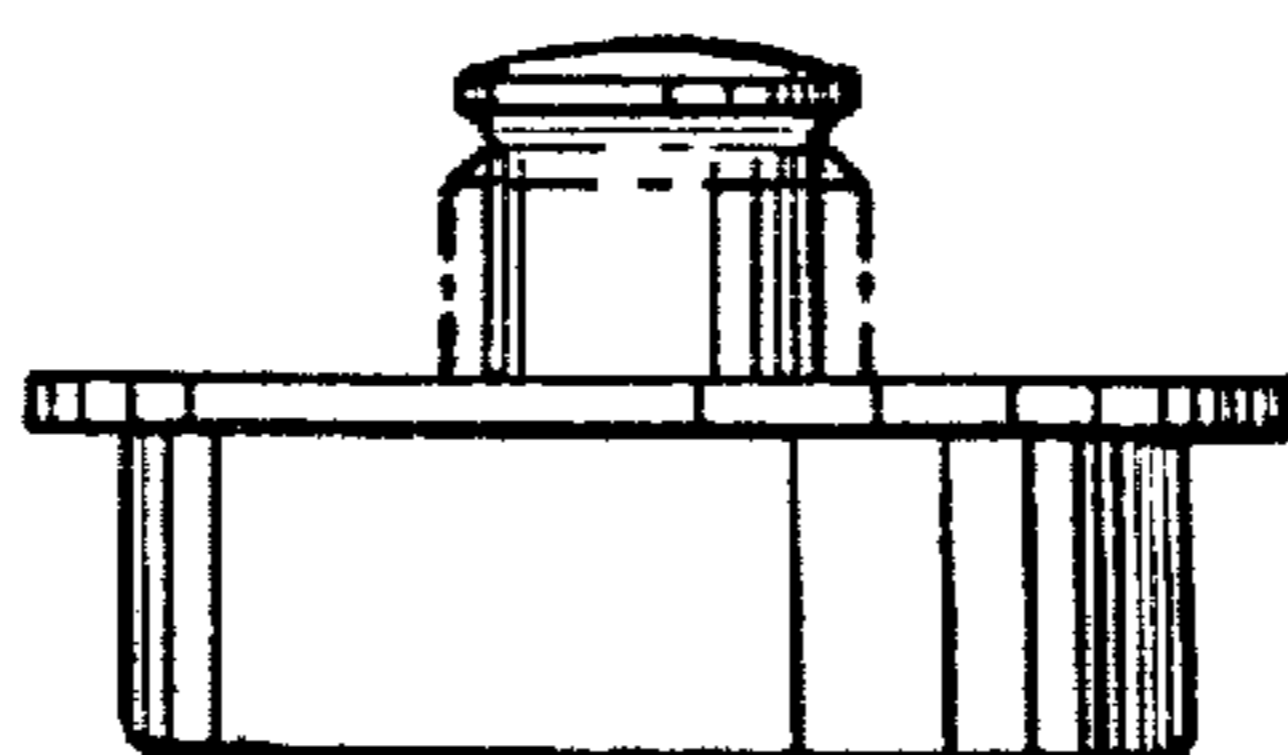


FIG. 3

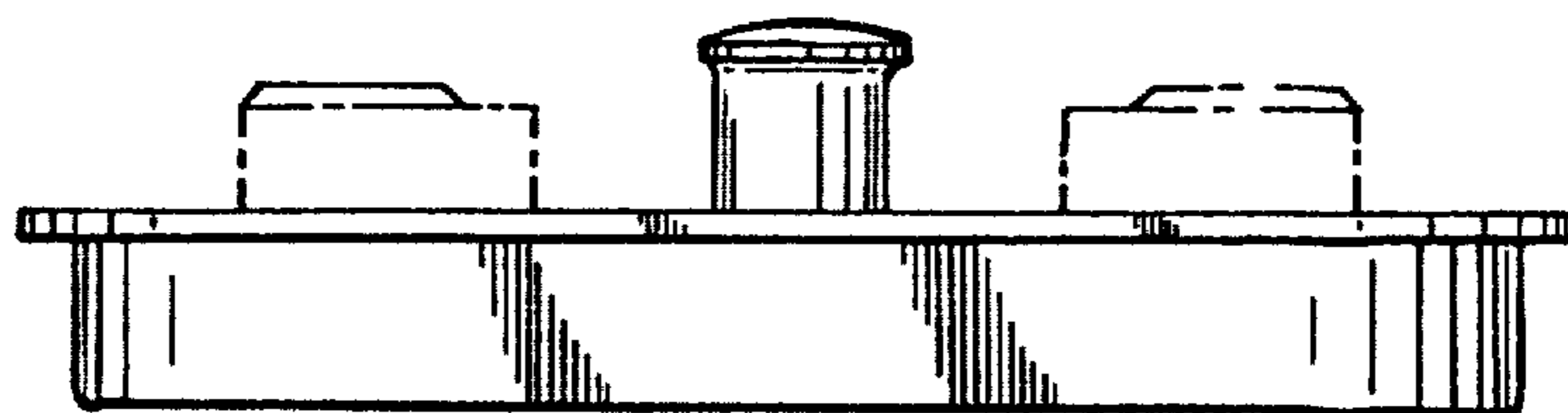


FIG. 4

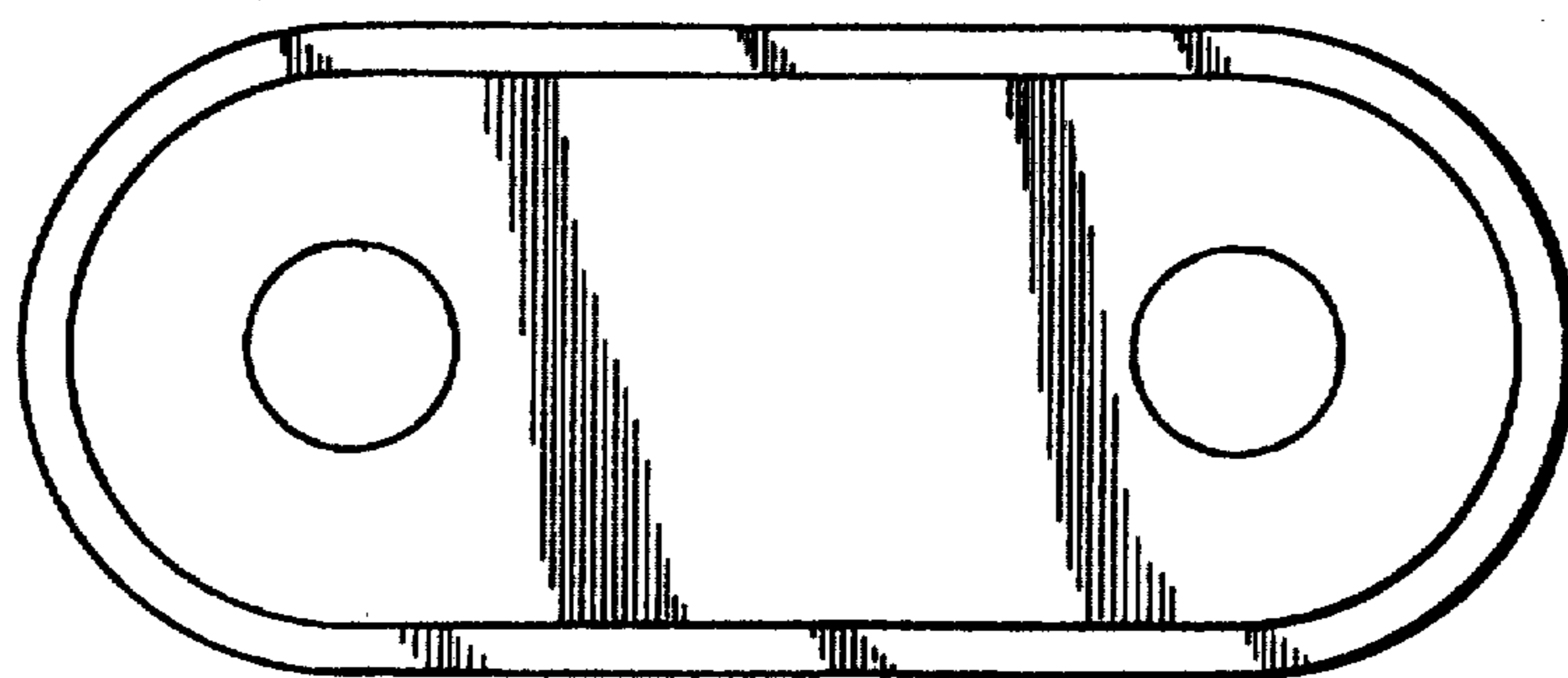


FIG. 5