

[54] TRIGGER SPRAYER

[75] Inventors: John I. Suhajda; Robert E. Corba; Richard L. Davenport; Allen D. Miller, all of Racine, Wis.

[73] Assignee: S. C. Johnson & Son, Inc., Racine, Wis.

[**] Term: 14 Years

[21] Appl. No.: 314,893

[22] Filed: Oct. 26, 1981

[51] Int. Cl. D23-01

[52] U.S. Cl. D23/17

[58] Field of Search D23/17, 18; 239/332, 239/333, 526

[56] References Cited

U.S. PATENT DOCUMENTS

- D. 241,543 9/1976 Tada D23/17
- D. 242,351 11/1976 Tada D23/17

- D. 243,180 1/1977 Federico D23/17
- D. 243,333 2/1977 Tada D23/17
- D. 251,381 3/1979 Reed D23/17
- D. 256,946 9/1980 Campbell et al. D23/17
- 3,797,749 3/1974 Tada 239/333 X
- 4,153,203 5/1979 Tada 239/333
- 4,191,313 3/1980 Blake et al. 239/333
- 4,227,650 10/1980 McKinney 239/333
- 4,355,739 10/1982 Vierkotter 239/333 X

Primary Examiner—James R. Largen

[57] CLAIM

The ornamental design for a trigger sprayer, as shown.

DESCRIPTION

FIG. 1 is a perspective view taken from the top, front and right side of a trigger sprayer showing our new design;

FIG. 2 is a left side elevation thereof;

FIG. 3 is a top plan view thereof;

FIG. 4 is a front elevation thereof;

FIG. 5 is a rear elevation thereof; and

FIG. 6 is a bottom plan view thereof.

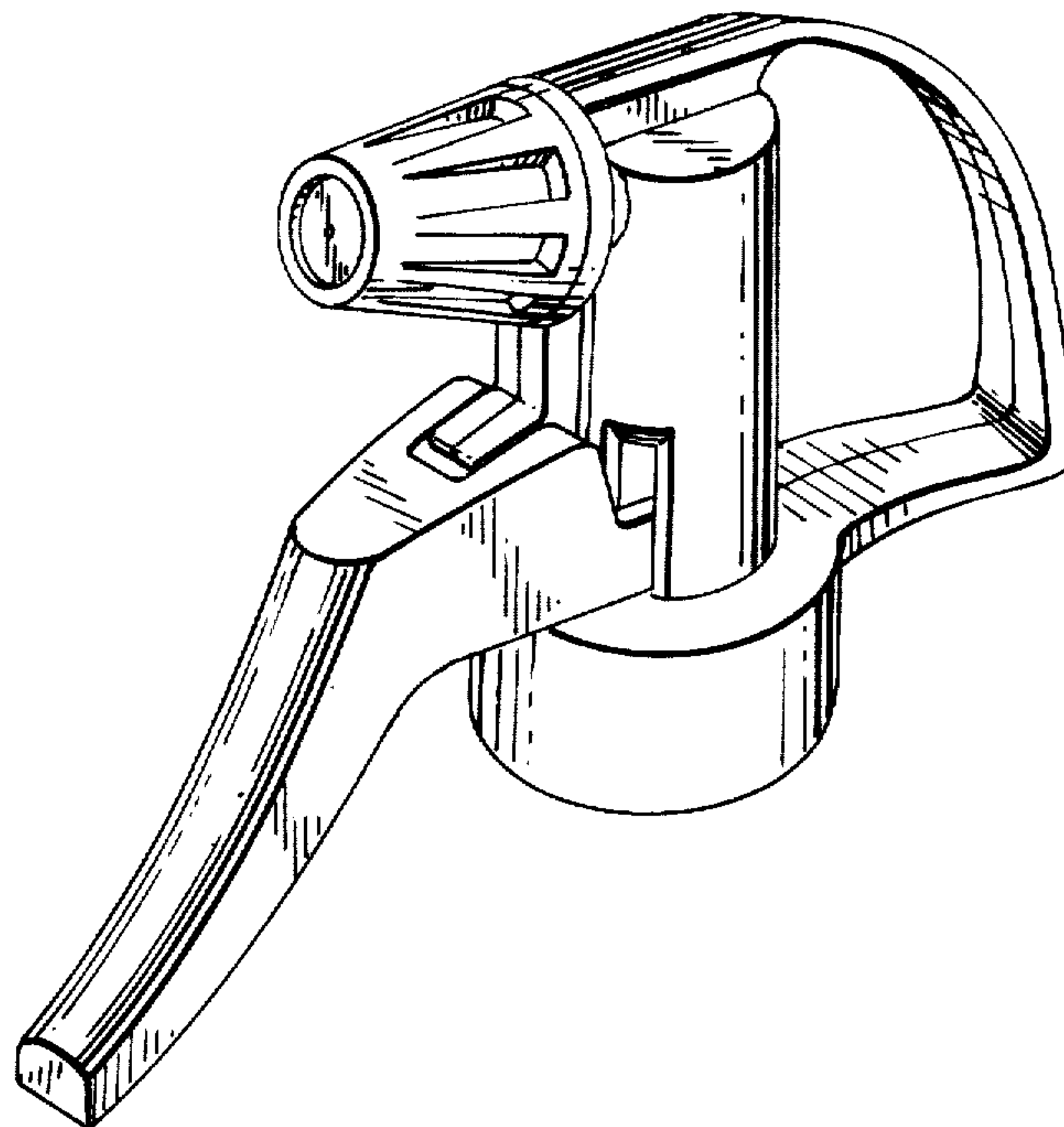


FIG. 1

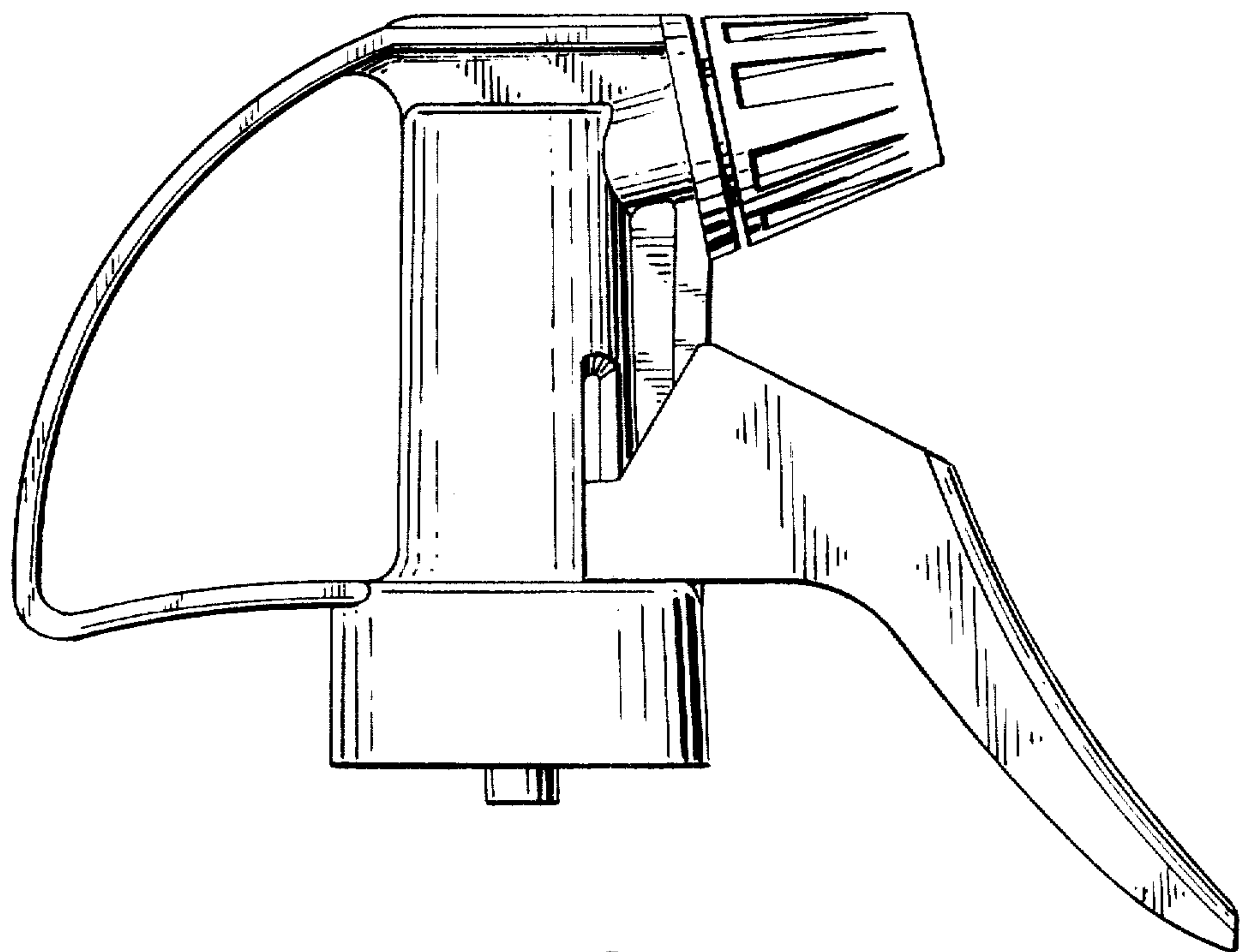
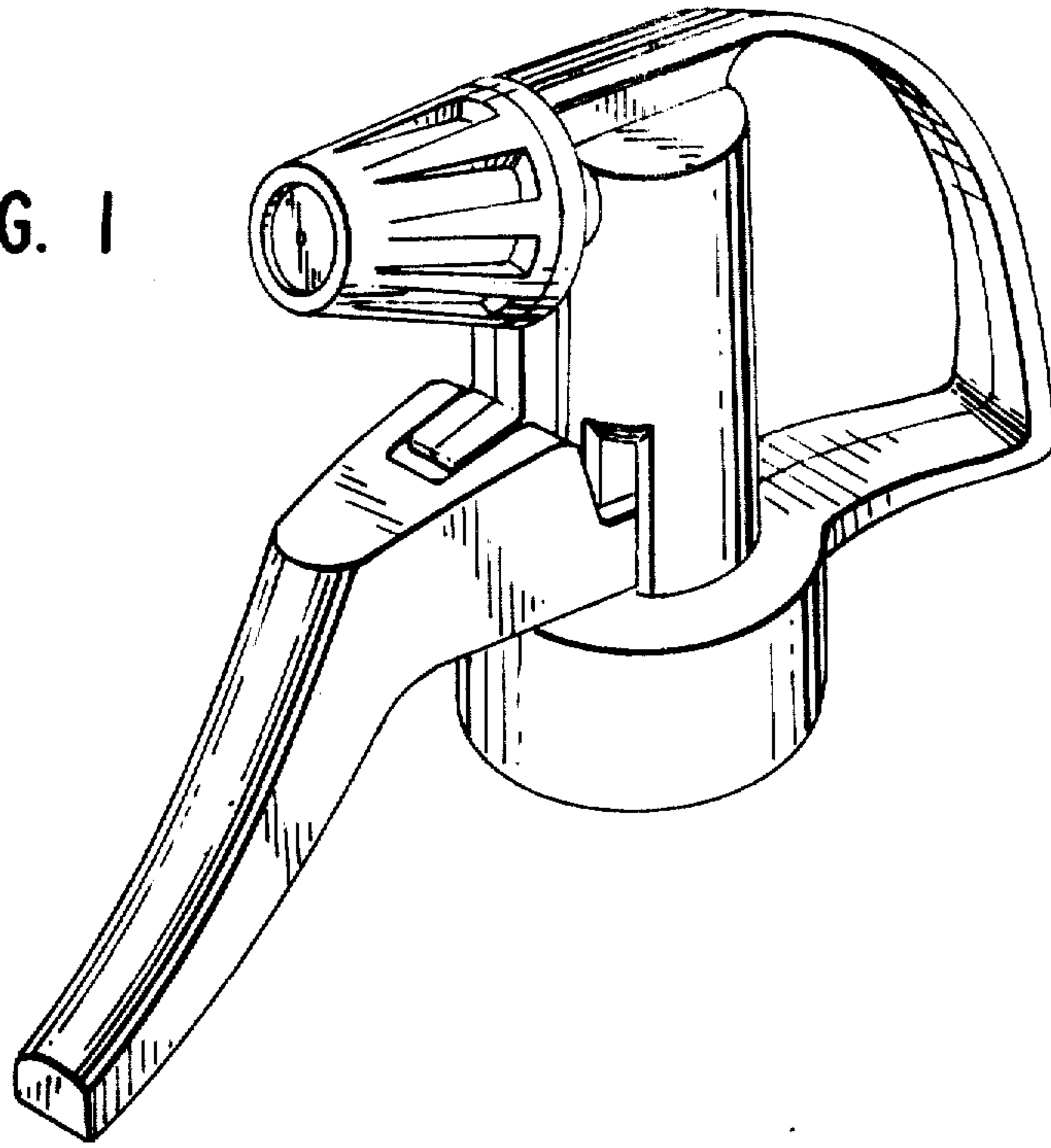


FIG. 2

FIG. 3

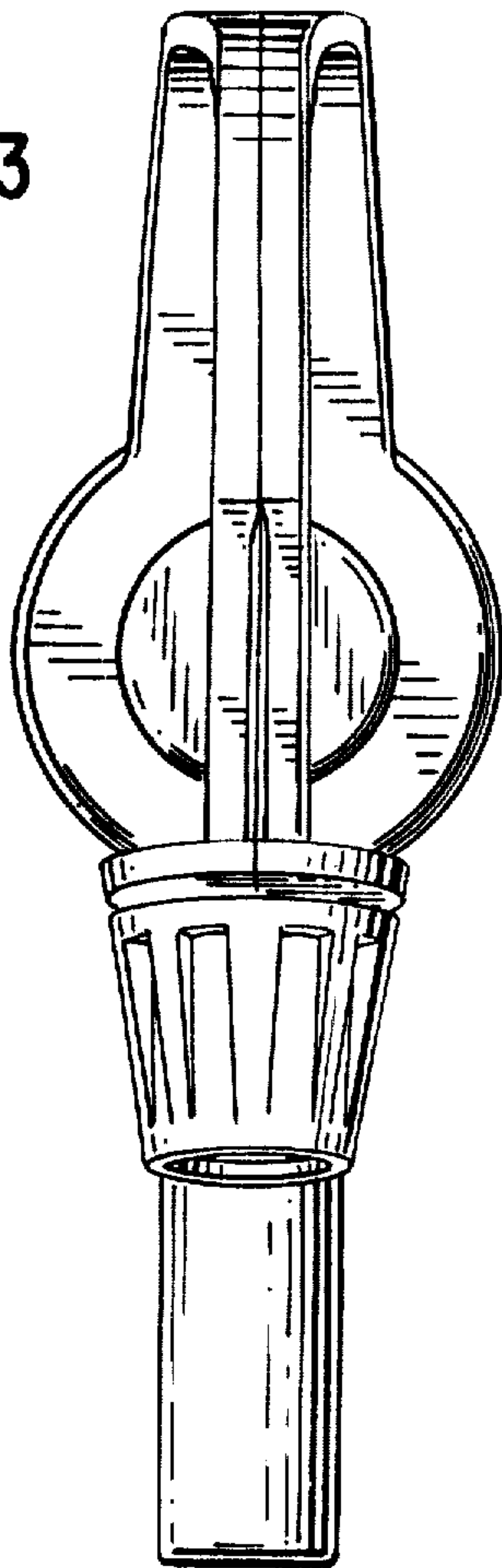


FIG. 5

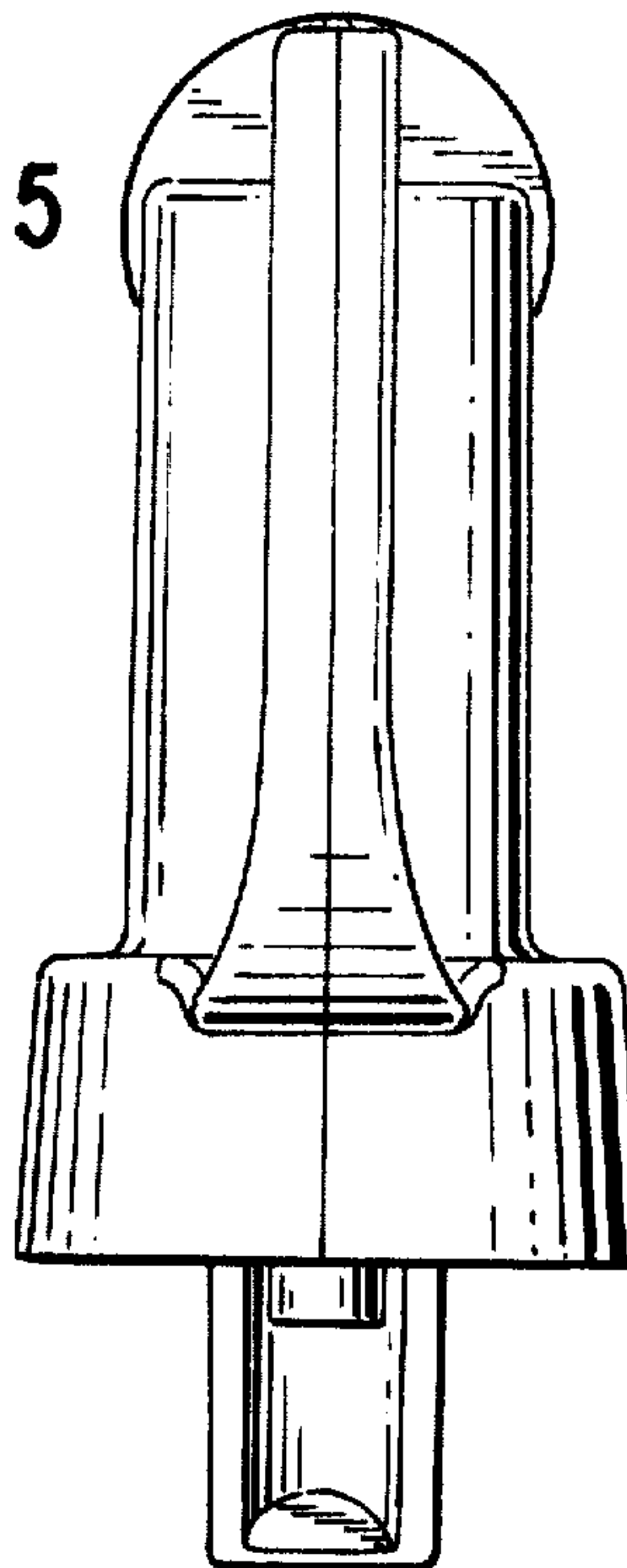


FIG. 4

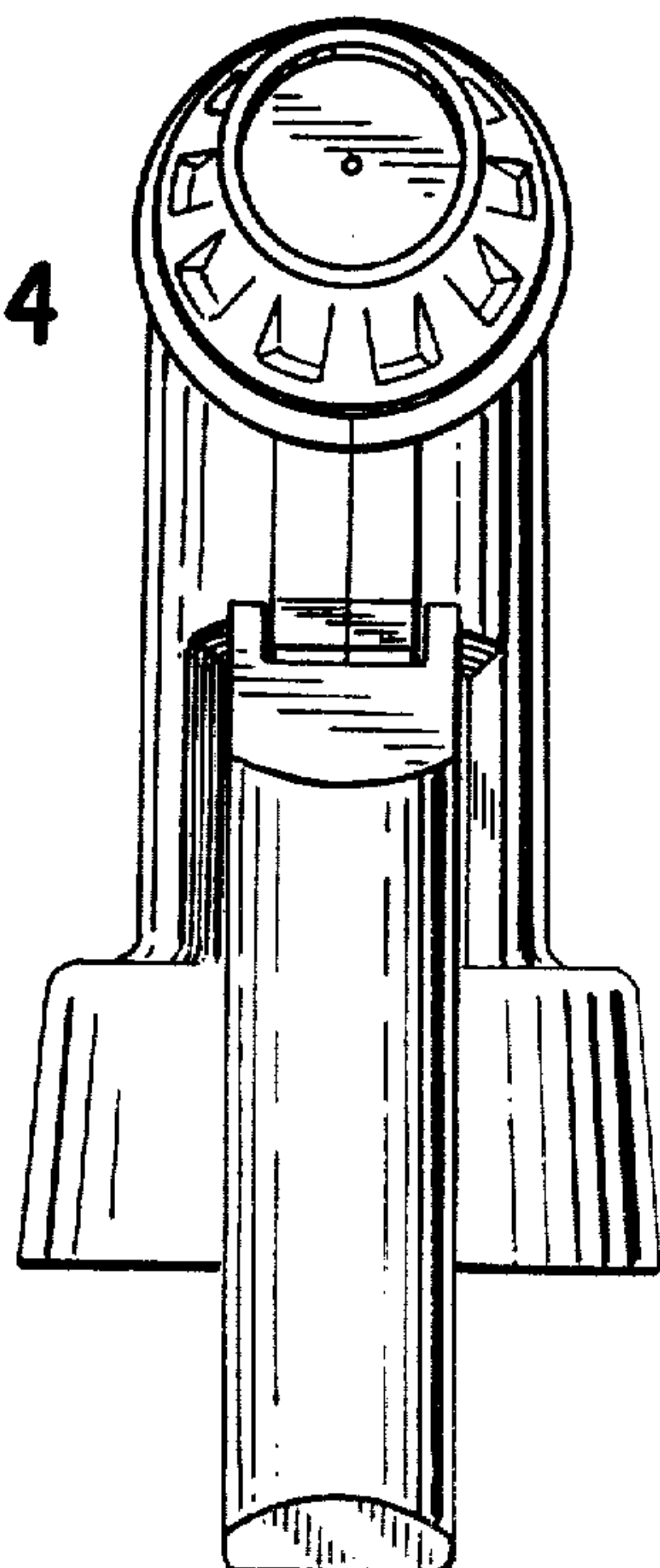


FIG. 6

